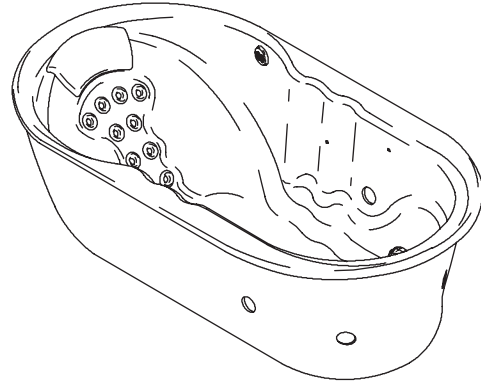


BATH WHIRLPOOL K-1338-H2

Features

- Acrylic
- Ten color-matched sequencing Bodyssage™ backjets
- 4 Flexjet™ jets
- Less all trim
- Drilled for required grip rails
- Variable-speed pump with 1.5 kW heater, back-lit user control and remote control
- Pulsating neckjets with pillow
- 66" (167.6 cm) x 35-3/4" (90.8 cm) x 22" (55.9 cm)



Codes/Standards Applicable

Specified model meets or exceeds the following:

- ASME A112.19.7M
- ANSI Z124.1.2
- UL 1795

Colors/Finishes

- 0: White
- Other: Refer to Price Book for additional colors/finishes

Accessories

- 0: White
- CP: Polished Chrome
- PB: Vibrant® Polished Brass
- Other: Refer to Price Book for additional colors/finishes

Specified Model

Model	Description	Colors/Finishes		
K-1338-H2	Bath whirlpool	<input type="checkbox"/> 0	<input type="checkbox"/> Other_____	
Required Accessories				
K-9653	Grip rails (pair)	<input type="checkbox"/> CP	<input type="checkbox"/> PB	<input type="checkbox"/> Other_____
K-9694	Jet trim kit	<input type="checkbox"/> CP	<input type="checkbox"/> PB	<input type="checkbox"/> Other_____
Recommended Accessories				
K-7161-AF	Pop-up bath drain	<input type="checkbox"/> CP	<input type="checkbox"/> PB	<input type="checkbox"/> Other_____
Optional Accessories				
K-1601	Footstop	<input type="checkbox"/> 0	<input type="checkbox"/> Other_____	

Product Specification

The acrylic bath whirlpool shall be 66" (167.6 cm) in length, 35-3/4" (90.8 cm) in width, and 22" (55.9 cm) in height. Product shall have 4 Flexjets, a variable-speed pump with 1.5 kW heater, back-lit user control, remote control, and pulsating neckjets with a pillow. Product shall have ten color-matched sequencing Bodyssage™ backjets. Product whirlpool shall be less all trim. Product shall be drilled for required grip rails. Bath shall be Kohler Model K-1338-H2-_____.

WATERSCAPE®

Technical Information

Fixture*:				
Basin area:				
Bathing well	42" (106.7 cm) x 24" (61 cm)			
Top area	58" (147.3 cm) x 27" (68.6 cm)			
Weight	130 lbs (59 kg)			
To overflow:				
Water depth	16" (40.6 cm)			
Capacity	78 gal (295.3 L)			
* Approximate measurements for comparison only.				
Drop-in cut-out		65" (165.1 cm) x 34-3/4" (88.3 cm)		
Cut-out template		115741-7		
Pump:	kW	V	Hz	A
Variable-speed:	1.5	240	50/60	15

Required Electrical Service

Dedicated circuit required, protected with Class A Ground-Fault Circuit-Interrupter (GFCI) or Residual Current Device (RCD):

Pump/control	220/240 V, 20 A, 50/60 Hz
--------------	---------------------------

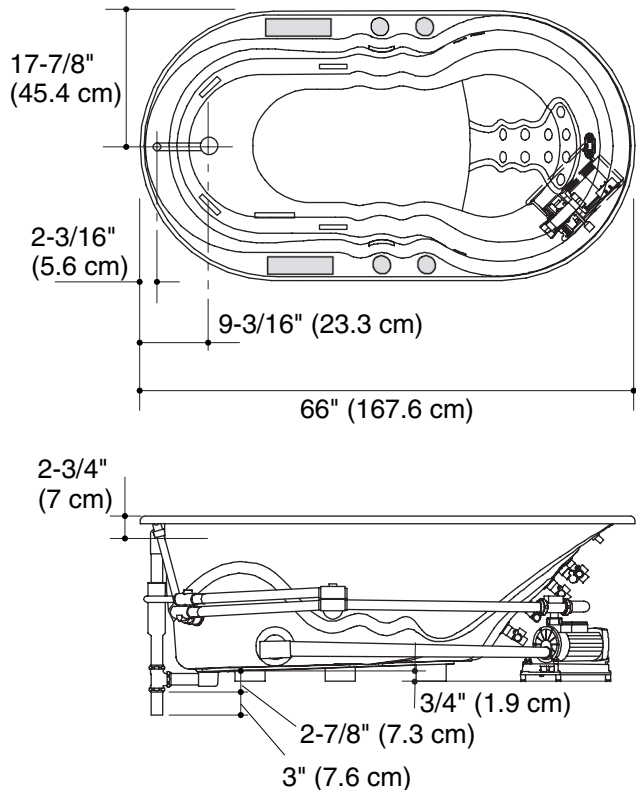
Installation Notes

Install this product according to the installation guide.

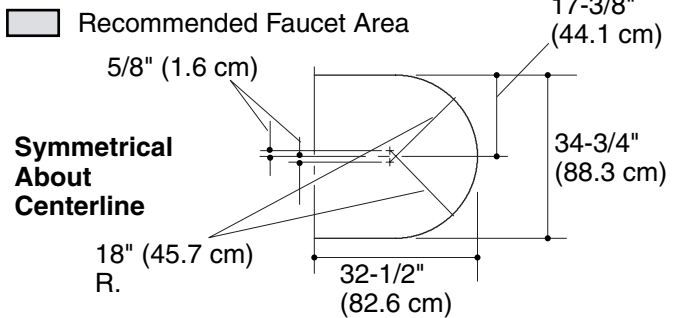
Floor support under whirlpool must provide for a minimum of 50 lbs/square foot (241 kg/square meter) loading.

Hot water supply should be 70% of capacity or greater. Installations will vary.

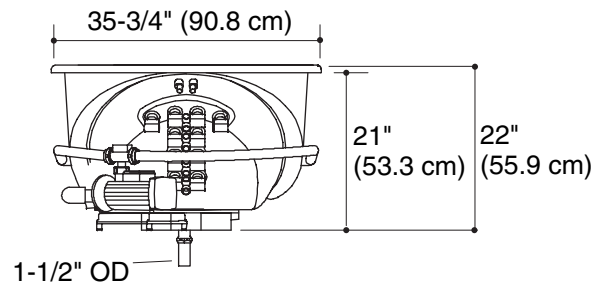
If installing a rim-mount faucet, make sure there is no interference with drain overflow and circulating system before drilling any holes. Consult local and national codes for minimum air gap requirements if installing a spout on the faucet deck.



No change in measurements if connected with drain illustrated. (K-7161-AF or K-7161M-AF)



Pump/Control Access
34" (86.4 cm) W x
15" (38.1 cm) H



Product Diagram