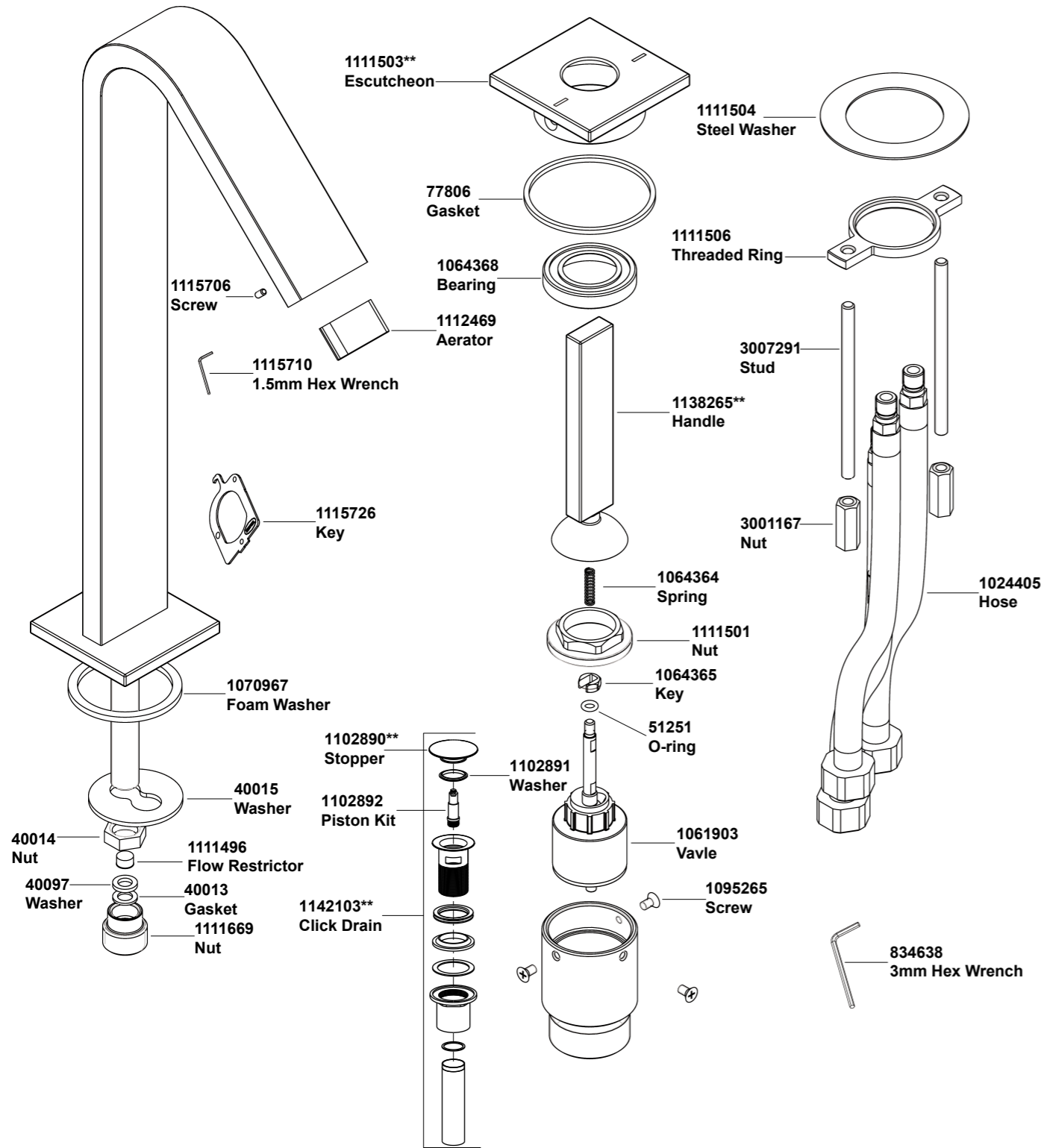


10319-4 SINGLE LEVER DUAL-HOLE LAV FAUCET



**Color code must be specified when ordering

10319-4 SINGLE LEVER DUAL-HOLE LAV FAUCET

BEFORE YOU BEGIN

All information is based on the latest product information available at the time of publication. Kohler Co. reserves the right to make changes in product characteristics, packaging, or availability at any time without notice.

Please leave these instructions for the consumer. They contain important information.

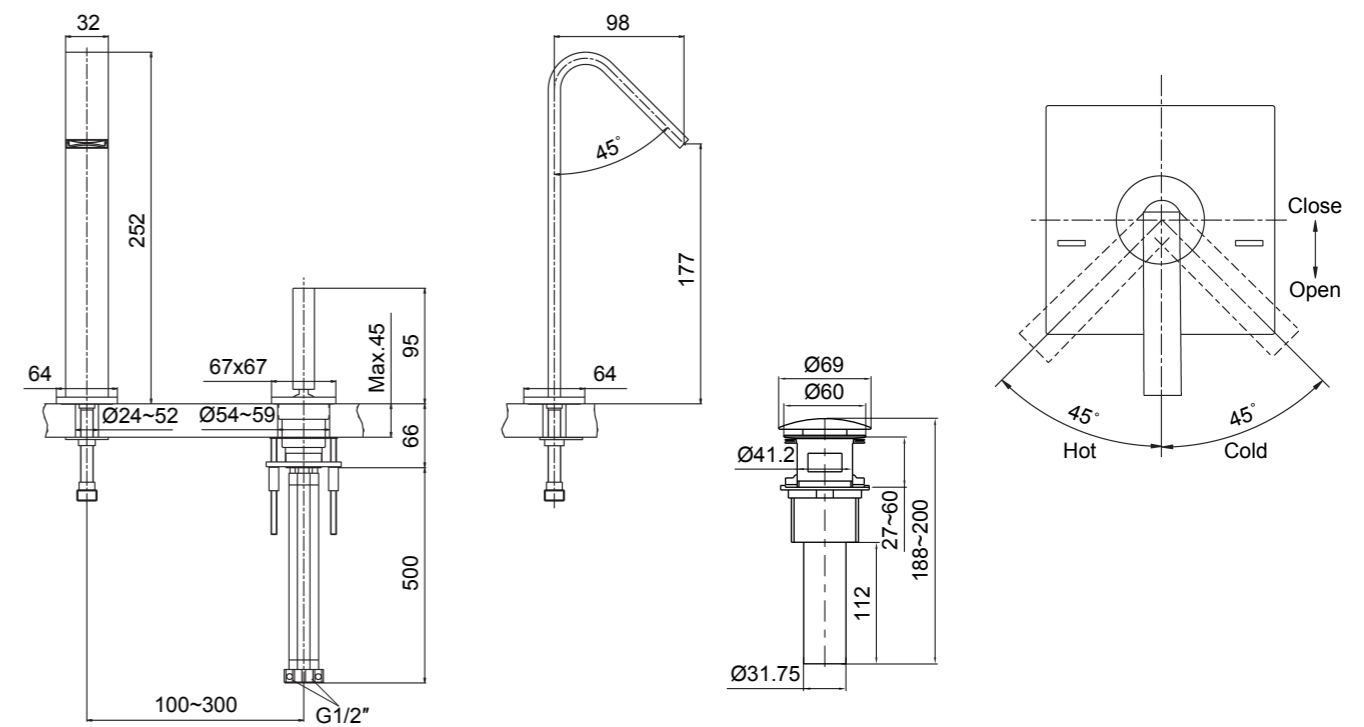
NOTES:

1. Flush the water supply pipes thoroughly to remove any debris.
2. For new installations, assemble faucet and drain to lavatory before installing lavatory.
3. The diameter of mounting hole for valve kit no less than 54mm.
4. The highest working pressure for faucet is 0.4Mpa(4 bars). If it exceeds 0.4Mpa(4 bars), a pressure reducer is needed. Or maybe damage the faucet.

HANDLE OPERATION

Operation for open and close, hot and cold water as shown below.

ROUGH-IN DIMENSIONS



INSTALLATION

How To Install The Faucet

Remove the threaded ring(4) and steel washer(3). Put the rubber gasket(2) into the bottom groove of the valve kit(1) escutcheon. Put the valve kit into the hole of the lavatory. From underside of the lavatory, install the steel washer(3) and the threaded ring(4) onto the valve kit. Keep the wrench holes of the studs(5) facing downwards, thread them onto the threaded ring. Position the valve kit. Secure the valve kit by tightening studs with 3mm hex wrench(7). Tighten the nuts(6) onto the studs.

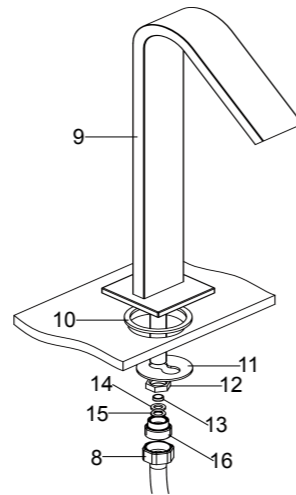
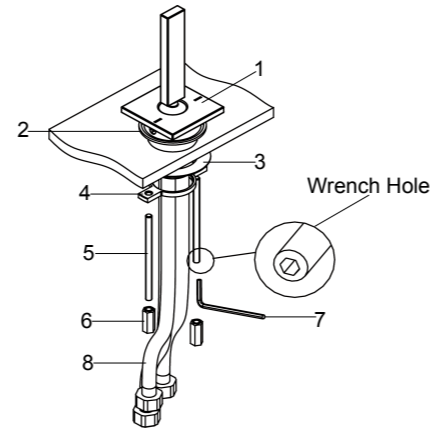
Attach the hoses(8) to water supplies. The hose with blue mark connects to cold water. The hose with red mark connects to hot water.

Remove the nut(16), nut(12) and steel washer(11) from the spout kit(9).

NOTE: Don't take out the flow restrictor(13) in the spout kit and must clear it regularly. Leave the rubber washer(14) and plastic gasket(15) in the nut.

Put the foam washer(10) into the bottom groove of the spout kit escutcheon. Then fit the spout kit to the hole of lavatory. From underside of the lavatory, install the steel washer(11) and nut(12). Position the spout. Secure the spout kit by tightening nut(12).

Tighten nut(16). Attach the hose(8) for spout onto nut.

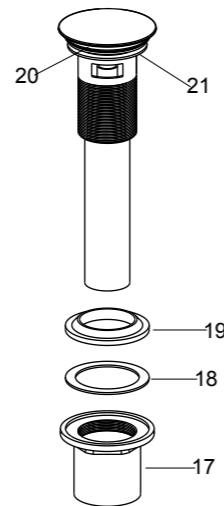


How To Install The Drain

Remove the locknut(17), plastic washer(18) and the rubber gasket(19) from the drain body. Insert the drain body into the lavatory. Install the rubber gasket (Tapered side up), plastic washer and locknut back to the drain body in turn. Tighten the locknut.

NOTE: If needed, apply a ring of plumbers putty or other sealants around the underside of the drain flange(20), instead of using rubber washer(21).

Do not reposition the drain after the locknut is tightened, or you may break the putty or sealant seal.

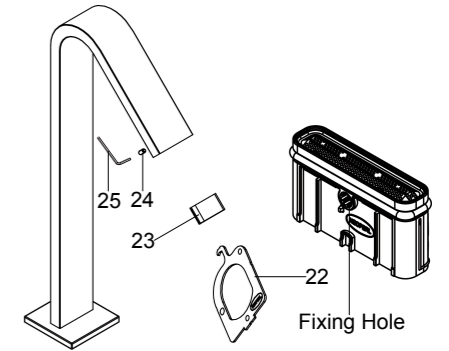


INSTALLATION CHECKOUT

Ensure that all connections are tightened and the handle is in the off position.

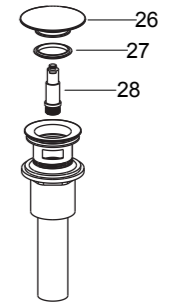
Open the drain. Turn on main water supply and check for leaks. Repaire as required.

Loosen screw(24) with 1.5mm hex wrench(25). Remove the aerator(23) carefully with key(22). Turn on the faucet. Run the water through the spout for about one minute to remove any debris. Remove any debris from the aerator. Shut off the faucet. Keep the fixing hole facing downwards, reinstall the aerator.



Replacing the Washer and Piston Kit

Turn counterclockwise to remove the stopper(26). Take out washer(27). Replace with a new one. Turn counter-clockwise to remove the piston kit(28). Replace with a new one. Reinstall stopper and washer.



CLEANING INSTRUCTIONS

All Finishes: Clean the finish with mild soap and warm water. Wipe entire surface completely dry with clean soft cloth. Many cleaners may contain chemicals, such as ammonia, chlorine, toilet cleaner etc. which could adversely affect the finish and are not recommended for cleaning.

Do not use abrasive cleaners or solvents on Kohler faucets and fittings.