

10422T

入墙式恒温切换面板

10436T

入墙式恒温面板

安装之前

所有的资料是按最新出版的产品资料编写而成。科勒公司保留任何时候不经通知即可改变产品特性、包装或产品可供类型的权利。

说明书包括重要的安装、保养及清洁方面的内容,请把这些资料交给用户阅读。

注意事项:

1. 一定要先彻底冲洗供水管以清除管道中的杂质。
2. 在说明书所指示的恰当时候,拿掉阀芯保护套。
3. 参照 10422T 安装尺寸安装阀体 16292T, 参照 10436T 安装尺寸安装阀体 16293T。

BEFORE YOU BEGIN

All information is based on the latest product information available at the time of publication. Kohler Co. reserves the right to make changes in product characteristics, packaging, or availability at any time without notice.

Please leave these instructions for the consumer. They contain important information.

Notes:

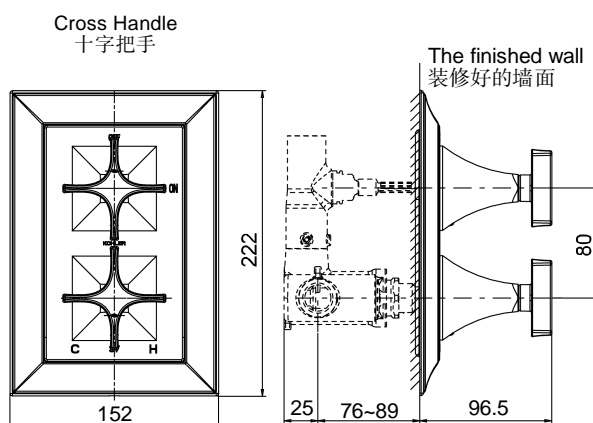
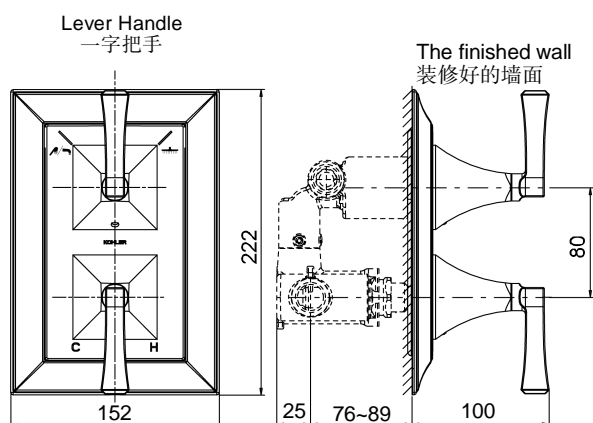
1. Flush the water supply pipes thoroughly to remove debris.
2. Do not remove the plastic guard from the valve body until instructed to.
3. Install valve kit 16292T according to the rough-in dimensions of 10422T, Install valve kit 16293T according to the rough-in dimensions of 10436T.

安装尺寸

ROUGH-IN DIMENSIONS

10422T

10436T



安装步骤

注意:参照 10422T 安装尺寸安装阀体 16292T,参照 10436T 安装尺寸安装阀体 16293T。

墙面装修好后,拿掉保护套(1)。

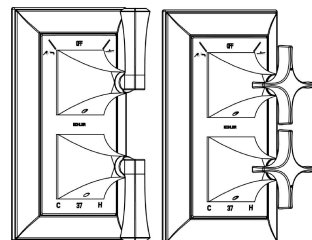
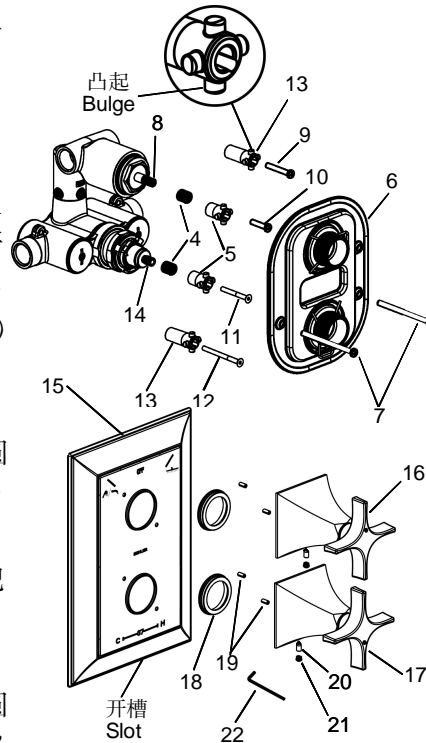
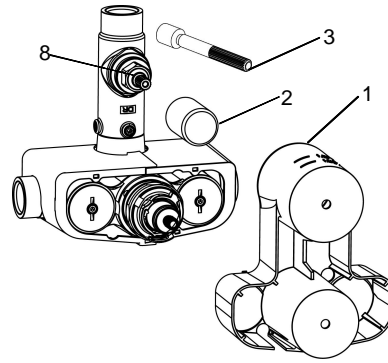
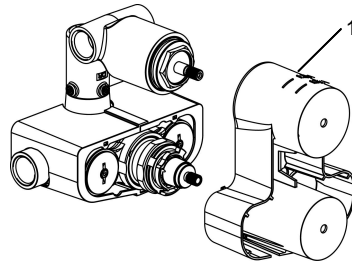
如果是 10436T,需要拿掉流量阀保护套(2),并安装加长杆(3)。

注意:关闭阀芯(8),安装过程中不要转动阀轴(8,14)。

将齿套(4)套入阀(8,14),依据需要选择接头(5)或加长接头(13),**(注意:使凸起处于垂直位置)**,同时选择相配的螺钉(10,11)或(9,12)来固定。将安装盘组件(6)如图示方向装入阀体,后推直至与墙接触。用螺钉(7)固定安装盘组件。将面板(15)套在阀体上,使开槽向下。将其后推,直至与墙面接触。旋入卡环(18),保持把手(16)上的两个销子(19)对准面板上的两个销孔。将把手组件装到安装盘组件,并使把手(十字把手上带圆点的一端)指向面板上的“OFF”标记。用六角扳手(22)旋入并锁紧螺钉(20),塞入盖帽(21)。保持把手(17)上的两个销子对准面板上的两个销孔,将把手组件装到安装盘组件,并使把手(十字把手上带圆点的一端)指向面板上的数字“37”标记。用六角扳手旋入并锁紧螺钉,塞入盖帽。

注意:避免销子脱落丢失。

把手安装后的状态如图所示。



INSTALLATION

Note: Install valve kit 16292T according to the rough-in dimensions of 10422T, Install valve kit 16293T according to the rough-in dimensions of 10436T.

Remove the plastic guard(1) after completed the finished wall.

If installation for 10436T, please remove plastic guard(2) on the flow valve also. Install stem(3).

NOTE: Ensure the cartridge(8) closed. Ensure do not turn stems of the cartridges (8, 14) when performing the installation .

Put the spline adapters(4) onto the valves(8, 14). Choose adapters(5) or adapter extensions(13) according to requirement.

(Note: keep the bulge of them in vertical position). Select matched screws(10, 11) or (9, 12) to secure them. Slide the cover kit(6) onto the valves as shown. Push it against the wall. Secure it with screws(7). Slide the faceplate(15) onto the valves with slot downwards. Push it against the wall. Screw rings(18). Keep the pins(19) on handle kit (16) aligning with the pin holes on faceplate, install the handle kit on the cover kit with the handle(the branch with dot of cross handle) pointing to mark "OFF" on the faceplate. Screw and tighten screw(20) with hex wrench(22). Press on the plug button(21). Keep the pins on handle kit(17) aligning with the pin holes on faceplate, install the handle kit on the cover kit with the handle(the branch with dot of cross handle) pointing to number 37 on the faceplate. Screw and tighten another screw with hex wrench. Press on plug button.

Note: don't lose the pins.

The illustration shown is the correct position of the handles installed.

维护与保养

清洗滤网

如果供水的水质较硬或长时间使用,滤网会被堵塞,降低出水量,需要对温控阀体和单向阀过滤组件的滤网进行清洗维护。

关闭供水系统,使流量阀(8)处于打开位置后进行温控阀的拆卸作业。温控阀是较敏感的配件,所以要十分小心。

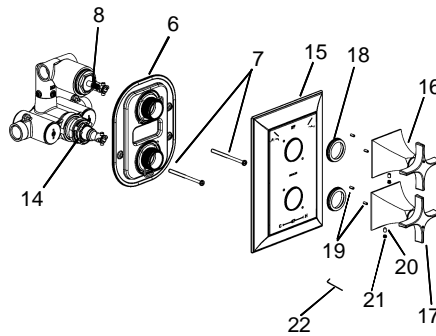
拆卸前确保使把手(17)(十字把手上带圆点的一端)与面板上的数字 37 标识对齐。

小心取下盖帽(21),用六角扳手(22)旋松螺钉(20),取下把手(16, 17),旋下卡环(18),取下面板(15)。松开螺钉(7),取下安装盘组件(6)。将螺钉(11 或 12)、接头(5 或 13)和齿套(4)留在阀柄上。

注意: 要确保拆卸过程中,不要转动阀(14)。

参照 16292T 和 16293T 的说明书,对温控阀体和单向阀过滤组件的滤网进行清理作业。

清洗完毕后,确认阀(8)处于关闭状态,按前述方法装回各件。



CARE AND MAINTENANCE

Clean Filters

Very hard water can obstruct the filters and reduce the flow of water. Please clean the filters for thermostatic valve and check valve & filtration kit.

Shut off the water supplies of the faucet and open the flow valve(8), then proceed to remove the cartridge. The cartridge is sense organ, please be careful.

Make sure the handle kit(17)(the branch with dot of cross handle) aligned with the number 37 on faceplate before your action.

Carefully remove the plug button(21). loose the screws(20) with hex wrench(22). Remove handle kits(16,17). Unscrew rings(18).Take off the faceplate(15) from cover kit(6). Loosen screws(7). Remove the cover kit(6). Retain the screws(11 or 12), adapters(5 or 13) and spline adapters(4) on the valve stem.

NOTE: Ensure do not turn the stem of thermostatic valve(14) when disassemble it. Clean the filters for thermostatic valve and check valve & filtration kit according to installation instruction of 16292T & 16293T.

After cleaning, ensure the cartridge(8) closed, reinstall them according to the process in previous page.

清理说明

适用于所有加工处理过的表面:以中性肥皂温水清洗镀层表面,再以干净的软布彻底擦干整个表面。许多清洁剂,比如氨水、去污粉及洁厕灵等,会对电镀表面造成伤害而不宜使用。

有腐蚀性的清洁剂或溶剂不可使用于科勒牌的水龙头及其附件上。

CLEANING INSTRUCTIONS

All Finishes: Clean the finish with mild soap and warm water. Wipe entire surface completely dry with clean soft cloth. Many cleaners may contain chemicals, such as ammonia, chlorine, toilet cleaner etc. which could adversely affect the finish and are not recommended for cleaning.

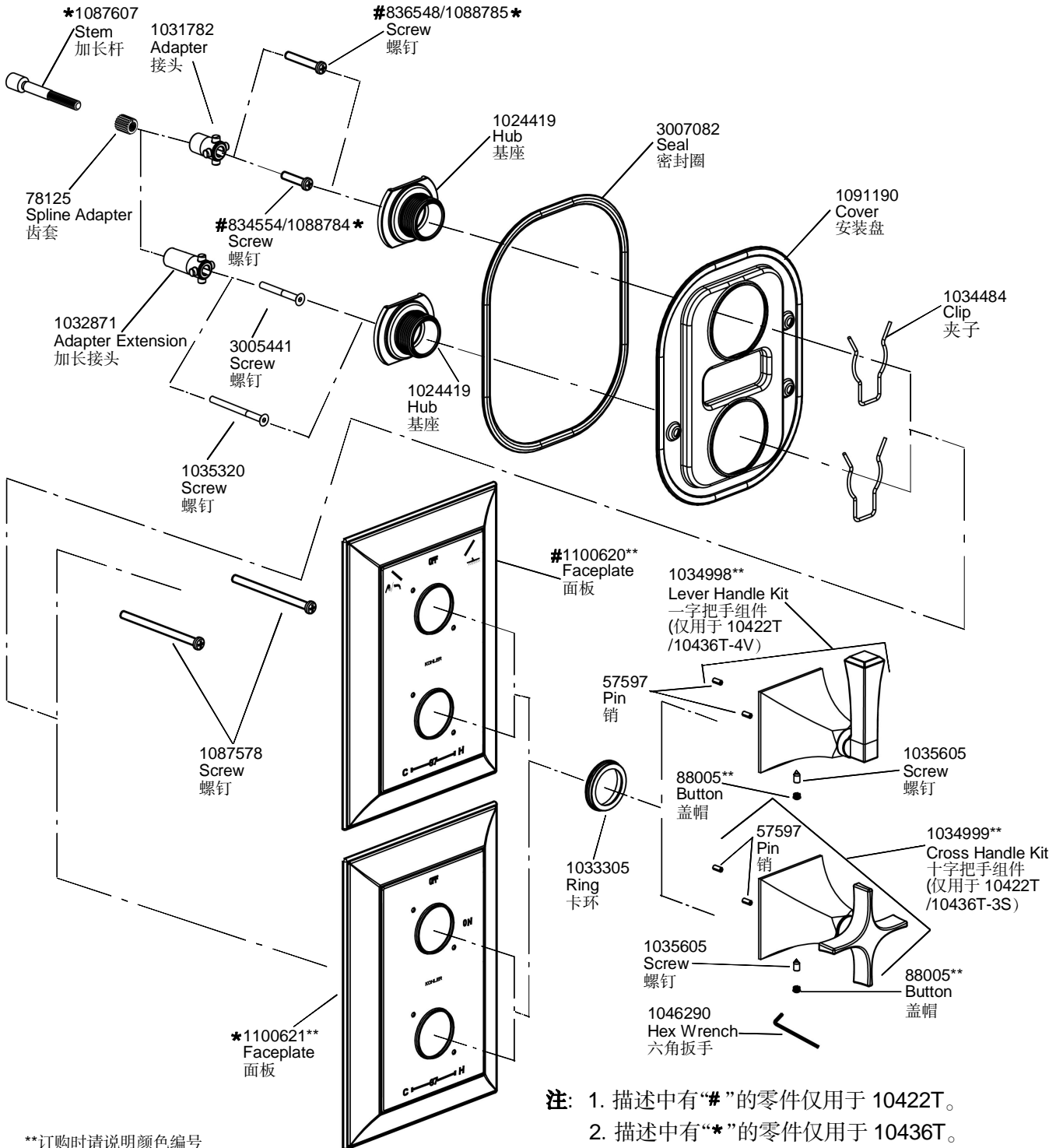
Do not use abrasive cleaners or solvents on Kohler faucets and fittings.

10436T

入墙式恒温切换面板

10422T

入墙式恒温面板



注: 1. 描述中有“#”的零件仅用于 10422T。
 2. 描述中有“*”的零件仅用于 10436T。

**订购时请说明颜色编号

**Color code must be specified when ordering.