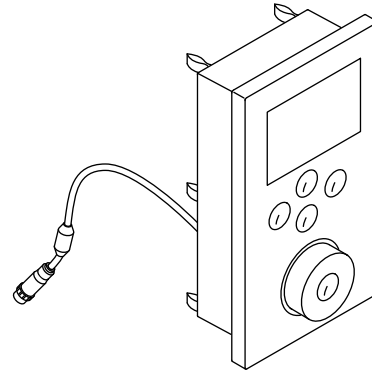


### DIGITAL INTERFACE K-684

#### Features

- Mounts within a standard 2x4 wall
- Digitally controlled
- High-temperature limit setting for added safety
- One touch control of 6 valve outlets
- Interface installs after finished wall is complete
- Auxiliary interface is available with a 30 ft (9.1 m) cable
- Custom and pre-programmed showering experiences
- 6 user presets
- Low profile design
- Easy to clean
- Optional water-saving functionality



#### Codes/Standards Applicable

Specified model meets or exceeds the following:

- FCC Part 15
- UL 1951

#### Colors/Finishes

- 1CP: Complements Chrome Finishes
- 1SN: Complements Nickel Finishes
- 1AF: Complements French Gold and Brushed Bronze

#### Accessories

- NA: None applicable

#### Specified Model

Model	Description	Colors/Finishes		
K-684	Portrait digital interface	<input type="checkbox"/> 1CP	<input type="checkbox"/> 1SN	<input type="checkbox"/> 1AF
<b>Required Accessories</b>				
K-682-K	Six-port thermostatic valve	<input type="checkbox"/> NA		
<b>Optional Accessories</b>				
K-686	Portrait auxiliary digital interface	<input type="checkbox"/> 1CP	<input type="checkbox"/> 1SN	<input type="checkbox"/> 1AF

#### Product Specification

The digital thermostatic valve user interface shall mount within a standard 2x4 stud wall. Product shall be digitally controlled. Product shall include a high-temperature limit setting for added safety. Product shall feature one touch control of 6 valve outlets. Product interface shall install after finished wall is complete. An auxiliary interface is available with a 30 ft (9.1 m) cable, 6 programmable user presets, and low profile design. Product shall have custom and pre-programmed showering experiences, and shall be easy to clean. Product shall have optional water-saving functionality. Product shall be Kohler Model K-684-\_\_\_\_\_.

**Installation Notes**

Install this product according to the installation guide.

Wall sleeve will accommodate finished wall thickness of 3/16" (5 mm) to 2" (51 mm).

End wall installation requires a 2x6 wall construction.

