

KOHLER®

ACCESSORY INSTALLATION INSTRUCTIONS

浴室配件 安装说明书

梅玛 MEMOIRS

Double Toilet Tissue Holder

10454T

双卫生纸架

安装之前

BEFORE YOU BEGIN

所有的资料是按最新出版的产品资料编写而成。科勒公司保留任何时候不经通知即可改变产品特性、包装或产品可供类型的权利。

All information is based on the latest product information available at the time of publication. Kohler Co. reserves the right to make changes in product characteristics, packaging, or availability at any time without notice.

说明书包括重要的安装、保养及清洁方面的内容,请把这些资料交给用户阅读。

Please leave these instructions for the consumer. They contain important information.

使用说明

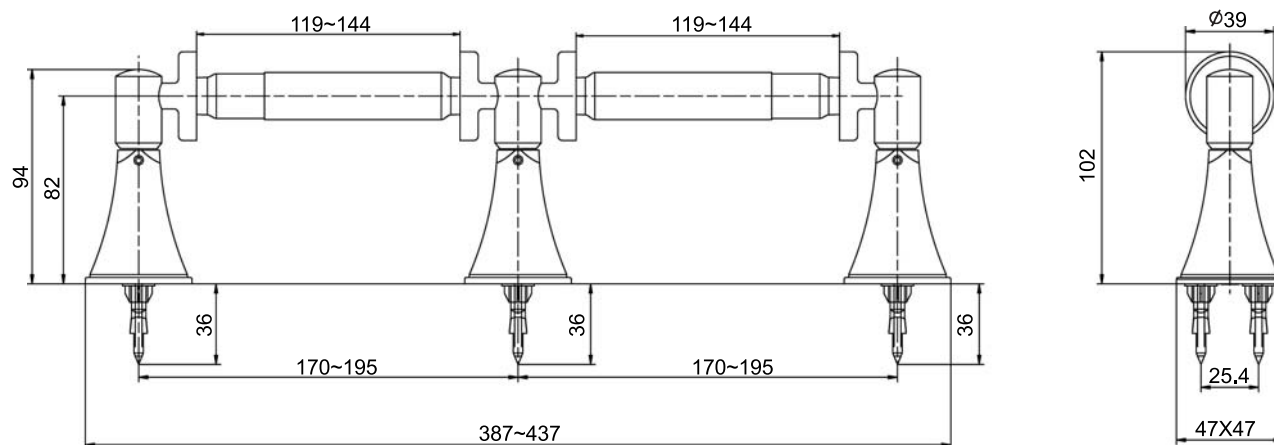
OPERATION INSTRUCTION

从一端向另一端按压纸滚将其取下;将纸滚一端放入托架,按压另一端并使之滑入托架。

Press paper roller from one end to another to take it out. Put one end of paper roller into bracket, then press the other end to slide it into bracket.

安装尺寸

ROUGH-IN DIMENSIONS



10454T

安装步骤

INSTALLATION

如何安装底座

在墙面选一合适的位置来安装纸架。

参照 Fig.1 在墙壁上标记安装纸架中心点,中心距 170~195mm。确保中心点连线水平、等距。

参照 Fig.2 竖直方向距中心点上下 12.7mm 处标记胀塞(10)安装孔位置,根据胀塞直径钻孔。

注意:必须确保中心点连线水平。否则,将导致纸架安装后倾斜。

用六角扳手(7)旋松螺钉(6),取下托架(1)。旋开螺钉(2),分开裙座(3)与导向座(5)。**注意:**勿将销子(4)弄丢。

将胀塞(10)塞入孔中,用自攻钉(9)固定导向座(5),保持导向座两直边竖直。将装饰盖(8)装到裙座上,使销子(4)装入销孔(11)。保持裙座螺孔向下,使裙座内壁的凹槽对准导向座的凸起,将导向座装入裙座,锁紧螺钉(2)固定裙座。

注意:带有“KOHLER”标的裙座安装在中间。

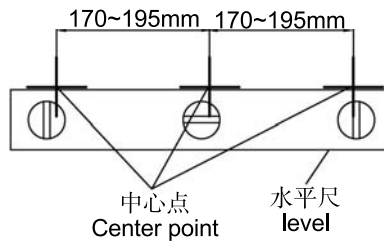


Fig.1

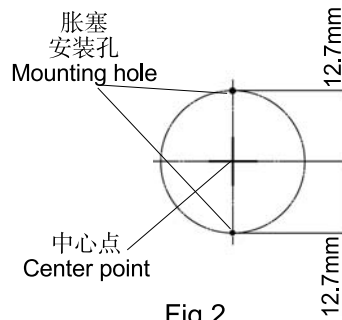
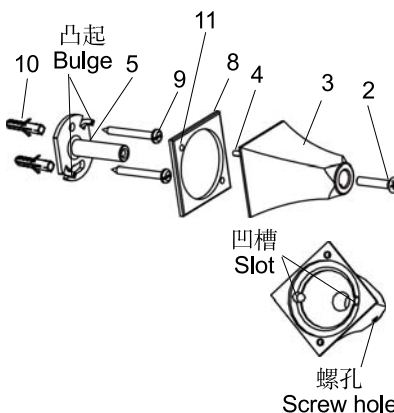
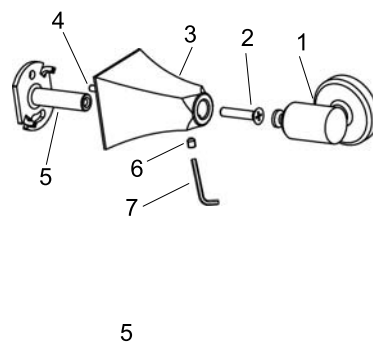


Fig.2



How To Install The Base

Select a location to install tissue holder.

As Fig.1 shown, mark the center points on the finished wall, and keep the center-to-center distance at 170~195mm. Use a level to ensure that all center points are level and equidistance.

Mark anchor(10) hole locations vertically 12.7mm above and below the center points as Fig.2 shown. Drill holes in the finished wall as required.

Note: Ensure that all center points are level, or may result in slant of tissue holder.

Loosen the screws(6) with hex wrench(7). Take off the brackets(1). Unscrew the screws(2). Separate the pilots(5) from the bonnets(3). **Note:** Don't lose the pins(4).

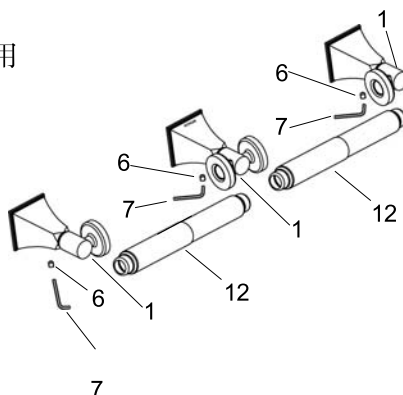
Press the anchors(10) into the holes. Orienting the pilots(5) with straight edges vertical, secure the pilot with the self-tapping screws(9). Aligning the pin holes(11) with pins(4), slide the escutcheons(8) onto bonnets. Keeping the screw holes downward, aligning the bulge of pilots with the slot of bonnets, slide the bonnets onto the pilots. Secure them with screws(2).

Note: The bracket with "KOHLER" logo should be installed in middle.

如何安装托架和纸滚

按图示顺序和方向安装托架(1),用六角扳手(7)锁紧螺钉(6)。

压缩并装入纸滚(12)。



How to Install the brackets and the paper rollers

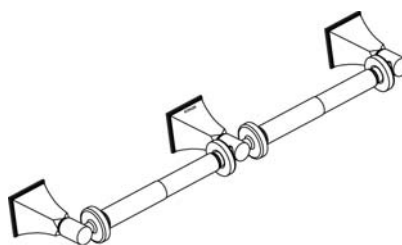
Install brackets(1) according to the orientation in the figure. Tighten screws(6) with hex wrench(7).

Compress the toilet paper rollers(12) to install them into brackets.

安装结果检查

确保所有连接处已锁紧。

纸滚水平,易于装卸。



INSTALLATION CHECKOUT

Ensure that all connections are tightened.

Ensure that the toilet paper rollers are level, and easy to be installed.

清理说明

适用于所有加工处理过的表面:以中性肥皂水清洗镀层表面,再以干净的软布彻底擦干整个表面,许多清洁剂,比如氨水、去污粉及洁厕灵等,会对电镀表面造成伤害,切忌使用。

有腐蚀性的清洁剂或溶剂不可用于科勒牌的水龙头及其附件上。

CLEANING INSTRUCTIONS

All Finishes: Clean the finish with mild soap and warm water. Wipe entire surface completely dry with a clean soft cloth. Many cleaners may contain chemicals, such as ammonia, chlorine, toilet cleaner etc. which could adversely affect the finish and are not recommended for cleaning.

Do not use abrasive cleaners or solvents on Kohler faucets and fittings.

KOHLER®

ACCESSORY SERVICE PARTS

浴室配件 零件图

梅玛 MEMOIRS

Double Toilet Tissue Holder

10454T

双卫生纸架

