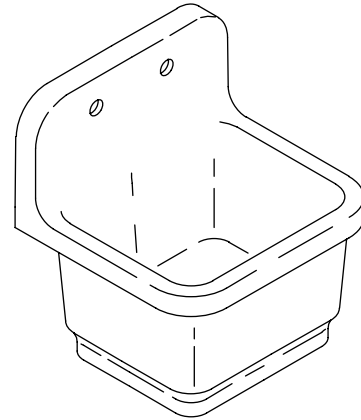


Features

- Vitreous china
- Single compartment
- 2-hole
- Optional rim guard
- Includes wall bracket
- Drilled back (K-6650) or blank back (K-6652)
- 22" (55.9 cm) x 20" (50.8 cm)

SERVICE SINK
K-6650
ALSO K-6652



Codes/Standards Applicable

Specified model meets or exceeds the following:

- ASME A112.19.2/CSA B45.1

Colors/Finishes

- 0: White

Accessories:

- CP: Polished Chrome
- RP: Rough Plate

Specified Model

Model	Description	Colors/Finishes	
K-6650	Drilled back service sink	<input type="checkbox"/> 0	
K-6652	Blank back service sink	<input type="checkbox"/> 0	

Recommended Accessories			
K-6672	P-Trap std. (for 2" iron pipe)	<input type="checkbox"/> NA	
K-6673	P-Trap std. (for 3" iron pipe) (for configuration illustrated)	<input type="checkbox"/> NA	
K-8904	Knoxford faucet for K-6652	<input type="checkbox"/> NA	
K-8907	Kinlock faucet for K-6652	<input type="checkbox"/> CP	<input type="checkbox"/> RP
K-8908	Kinlock faucet for K-6652	<input type="checkbox"/> CP	<input type="checkbox"/> RP

Optional Accessories			
K-8932	Stainless steel rim guards for 9" (22.9 cm) sides	<input type="checkbox"/> NA	
K-8934	Stainless steel rim guards for 12" (30.5 cm) front	<input type="checkbox"/> NA	

Product Specification

The service sink shall be made of vitreous china. Sink shall be single compartment. Sink shall be 2-hole (K-6650). Sink shall have optional rim guard. Sink shall be drilled back (K-6650) or blank back (K-6652). Sink shall include wall bracket. Sink shall be 22" (55.9 cm) in length and 20" (50.8 cm) in width. Sink shall be Kohler Model K-_____-_____.

SUDBURY™

Technical Information

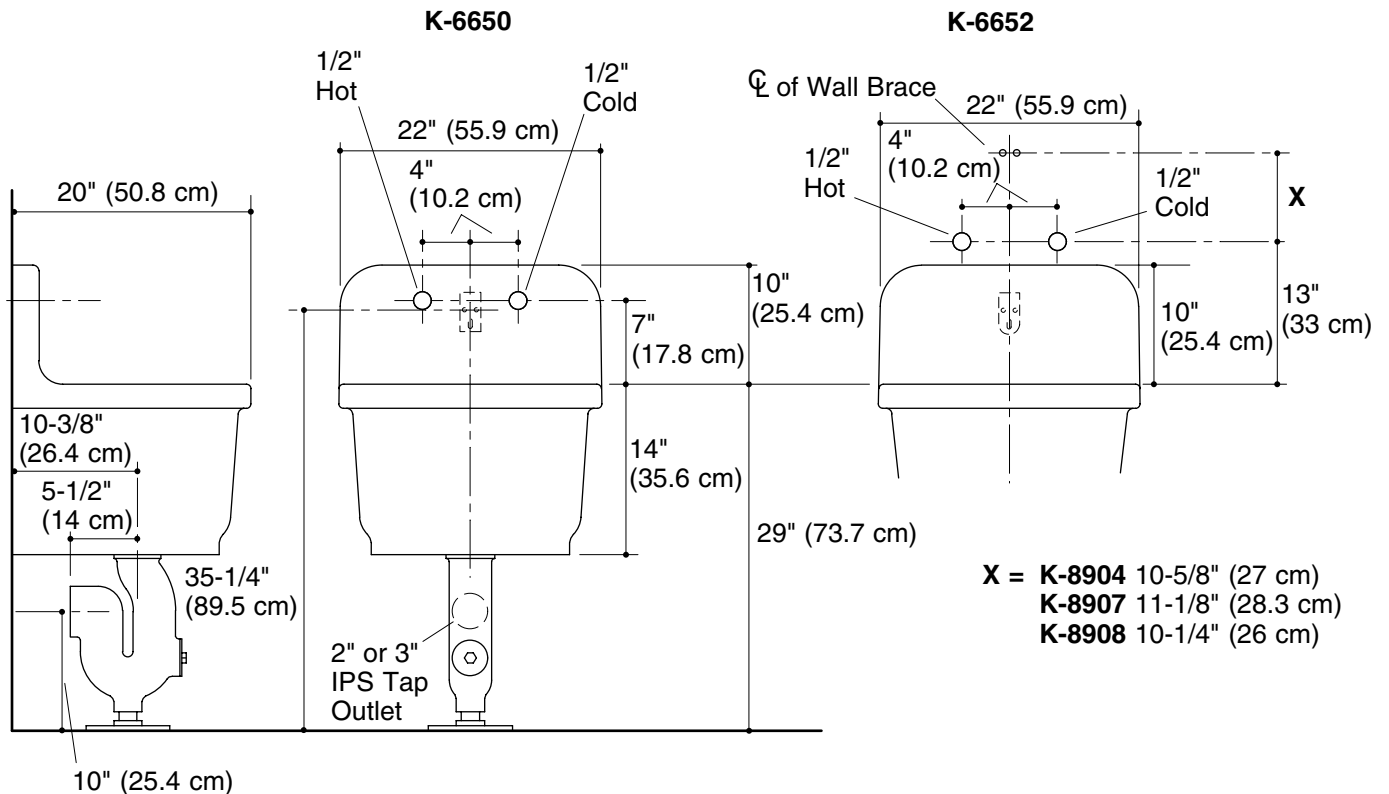
Fixture*:	
Basin area	19" (48.3 cm) x 16" (40.6 cm)
Water depth	13-1/8" (33.3 cm)
Drain hole	3" (7.6 cm) D.
Faucet holes (K-6650)	1-1/2" (3.8 cm) D.
* Approximate measurements for comparison only.	

Included component:	
Wall bracket	64512

Installation Notes

Install this product according to the installation guide.

No change in sink measurements when used with K-6672 or K-6673 trap standard.



Product Diagram