

MEMOIRS® CLASS FIVE®

Features

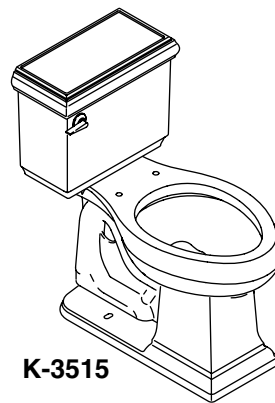
- Vitreous china
- Class Five® flushing system
- Polished chrome trip lever
- Less seat and supply
- 12" (305 mm) rough-in
- 1.6 gpf (6 lpf) or 1.28 gpf (4.8 lpf)
- 2-1/8" (54 mm) glazed trapway
- 11" (280 mm) x 8-1/2" (216 mm) water area
- 30-3/8" (772 mm) x 18-7/8" (479 mm) x 31-1/8" (790 mm) [K-3526]
- 30-3/8" (772 mm) x 17-13/16" (452 mm) x 31-1/2" (800 mm) [K-3515]

COMFORT HEIGHT® TOILETS K-3515 ALSO K-3526

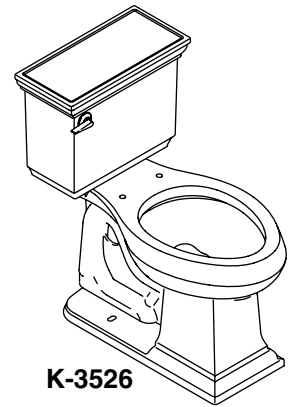
ADA

CSA B651

OBC



K-3515



K-3526

Codes/Standards Applicable

Specified model meets or exceeds the following:

- ADA
- ICC/ANSI A117.1
- CSA B651
- OBC
- ASME A112.19.2/CSA B45.1
- Energy Policy Act of 1992

Colors/Finishes

- 0: White
- Other: Refer to Price Book for additional colors/finishes

Accessories

- 0: White
- CP: Polished Chrome
- PB: Vibrant® Polished Brass
- Other: Refer to Price Book for additional colors/finishes

Specified Model

Model	Description	Colors/Finishes	
K-3515	Comfort Height toilet with Classic design	<input type="checkbox"/> 0	<input type="checkbox"/> Other_____
K-3526	Comfort Height toilet with Stately design	<input type="checkbox"/> 0	<input type="checkbox"/> Other_____

Recommended Accessories				
K-7637	Angle supply with stop – 3/8" NPT	<input type="checkbox"/> CP	<input type="checkbox"/> PB	<input type="checkbox"/> Other_____

Optional Accessories Table is on page 2.

Product Specification

The elongated bowl toilet shall be made of vitreous china. Toilet shall be 30-3/8" (772 mm) in length, 18-7/8" (479 mm) in width, and 31-1/8" (790 mm) in height [K-3526] or 30-3/8" (772 mm) in length, 17-13/16" (452 mm) in width, and 31-1/2" (800 mm) in height [K-3515] with a 11" (280 mm) x 8-1/2" (216 mm) water area. Toilet shall be 12" (305 mm) rough-in with a 2-1/8" (54 mm) glazed trapway. Toilet shall be 1.6 gpf (6 lpf) per flush or 1.28 gpf (4.8 lpf) per flush with Class Five® flushing system. Toilet shall include a polished chrome trip lever. Toilet shall be less seat and supply. Toilet shall be Kohler Model K-_____-_____.

MEMOIRS® CLASS FIVE®

Optional Accessories

K-4650	Lustra™ elongated open-front toilet seat – for Accessibility compliance	<input type="checkbox"/> 0	<input type="checkbox"/> Other _____
K-9439	Trip lever – non CP	<input type="checkbox"/> PB	<input type="checkbox"/> Other _____

Technical Information

Fixture:	
Configuration	two-piece, elongated
Water per flush	1.6 gal (6 L) or 1.28 gal (4.8 L)
Passageway	2-1/8" (54 mm)
Water area	11" (280 mm) x 8-1/2" (216 mm)
Water depth from rim	6-1/8" (156 mm)
Seat post hole centers	5-1/2" (140 mm)

Included components:	
Bowl	K-4294
Tank with Classic design OR	K-4491
Tank with Stately design	K-4492
Tank cover with Classic design OR	1052861

Included components (cont.):	
Tank cover with Stately design	1052862
Trip lever	K-9439

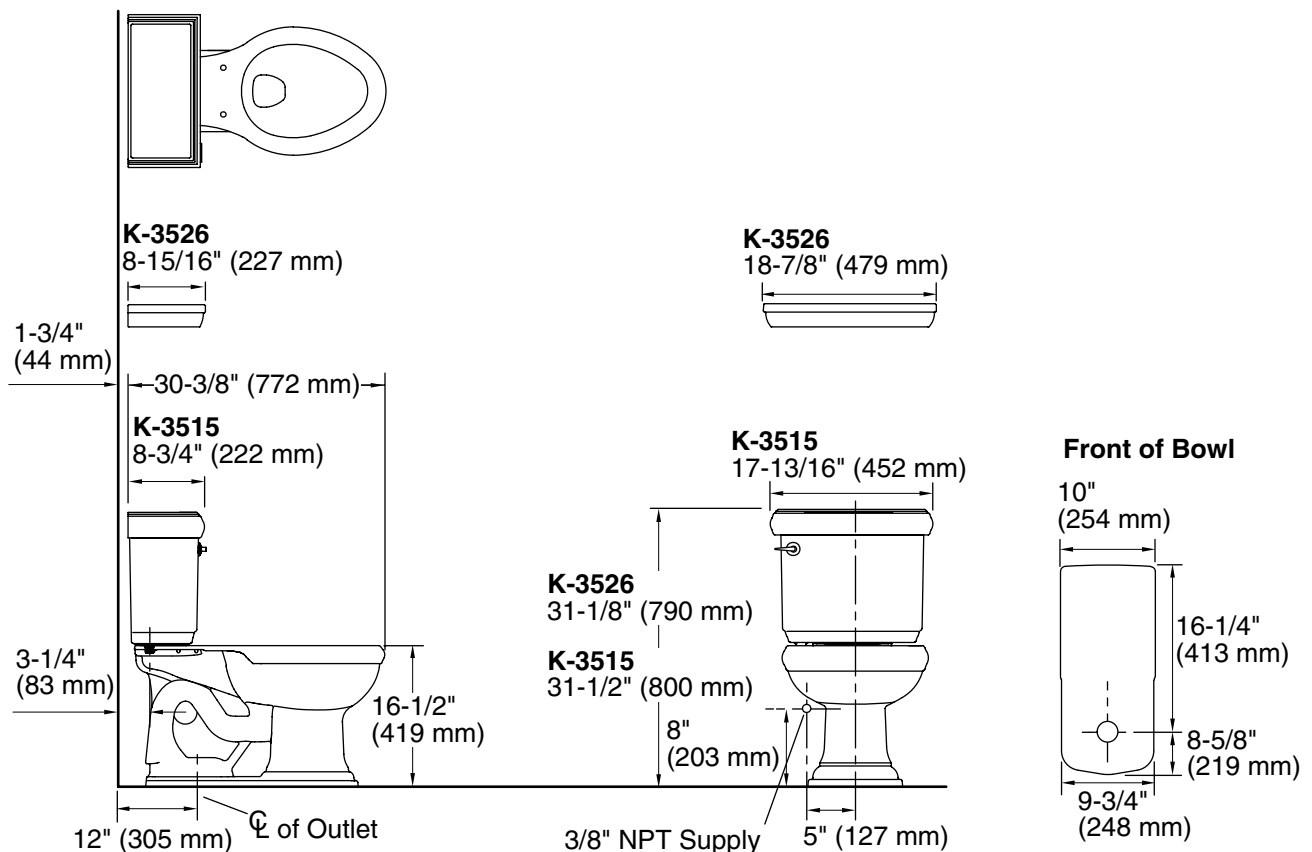
Installation Notes

Install this product according to the installation guide.

Will comply with the American Disabilities Act (**ADA**) when installed per the requirements of the Accessibility Guidelines, Section 604 Water Closets, of the Act. The Model Plumbing Codes require the installation of elongated open-front toilet seats in public bathrooms.

Will comply with **CSA B651** when installed per Clause 4.3.6 of the standard.

Will comply with **OBC** Barrier Free requirements when installed per Clause 3.8.3.8 and 3.8.3.9.



Product Diagram