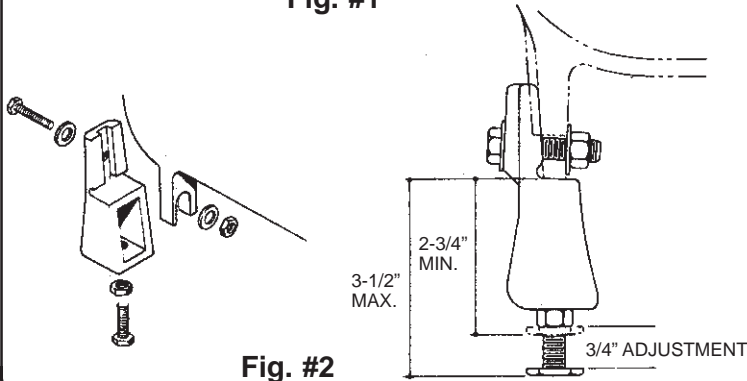


**Fig. #1**

#### ABOVE THE FLOOR INSTALLATION OF THE BATH/ WHIRLPOOL USING THE OPTIONAL K-1172 BATH LEGS.

It is possible to install some models above the floor with the use of the optional K-1172 legs. The legs can be adjusted to increase the height of the tub a minimum of 2-3/4" and a maximum of 3-1/2".

**Fig. #1 shows one such installation.** By rotating the drain tee 90 degrees the drain tube can be run into the wall before meeting the trap.



**Fig. #2**

**NOTE:** The front legs are shown in Fig. #1 behind the drain for demonstration purposes. They are actually almost directly in line with the drain.

Install the legs **according Fig. #2**. The leg mount attached to the bath sits atop the leg secured by the nut and bolt. Height is varied by adjusting the bottom bolt as shown.