

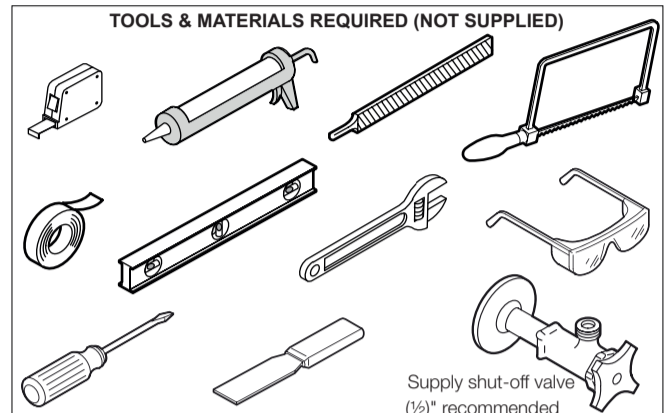
**BEFORE YOU BEGIN :**

- Please read these instructions carefully to familiarize yourself with the required tools, materials & installation sequences. Follow the sections that pertain to your particular installation. This will help you avoid costly mistakes. In addition to proper installation, read all operating & safety instructions.
- All information in these instructions is based upon the latest product information available at the time of publication. Kohler India reserves the right to make changes in product characteristics, packaging or availability at any time without notice.
- These instructions contain important care & cleaning information. Please leave instructions for the consumer.

**ORDERING INFORMATION :**

ODEON Wall Hung toilet with External Tank w/ QC Seat & Cover.....K-17661K-S-0 / K-17661IN-S-96	
Includes bowl.....K-17662IN-*	
Includes tank.....K-17663IN-*	
Includes ODEON Quiet-Close Seat.....K-8827IN-*	
Odeon Wall Hung with external tank with Pureclean bidet seat.....K-6302IN-0	
Includes bowl.....K-17662IN-0	
Includes tank.....K-17663IN-0	

\* Finish/color code to be specified while ordering.



**IMPORTANT NOTES :**

- Observe all local plumbing & building codes.
- Shut off the water supply.
- Ensure that the drain has the correct roughing-in dimensions. See Fig. #1.
- Be very careful while working with Vitreous China products. Vitreous china can break or chip if the bolts or nuts are over tightened, or if carelessly handled.
- Carefully inspect the new fixture for any signs of damage.
- Fixture dimensions are nominal & conform to tolerances established by ASME Standards (A112. 19.2-2003).

**⚠ WARNING: Risk of external leakage.** The valve nut has been factory-tightened. In case of leakage, use wrench to tighten 1/4 turn past hand tight.

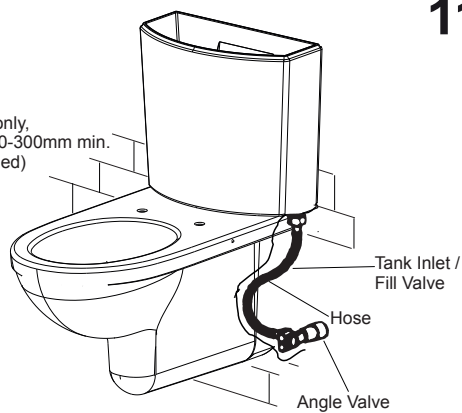
**NOTICE :** If no shut-off valve exists, install a shut-off valve below the tank before installing the new toilet. Flexible hose is recommended to connect the supply line to the fill valve. If you use a rigid connection, take care not to apply side forces to the bottom of the fill valve.

<p><b>INSTALLATION GUIDELINE</b></p> <ol style="list-style-type: none"> <li><b>Note : Refer Figure #1 for Rough-in dimensions.</b> Appropriately select Chair Bracket / Rack bolts for load bearing.</li> <li>Maintain <b>80 mm</b> length of bolts projecting out of the wall &amp; cut the extra length of the bolts if needed. Remove the sharp edges of bolts by filing them. <b>Refer Figure #2.</b></li> <li>Slide the gasket on the outlet pipe as shown in <b>Figure #3.</b></li> <li>Slide the outlet pipe into the wall openings at waste outlet to test the fitment of the outlet pipe with toilet. <b>Refer Figure #4.</b></li> <li>Note the distance between the wall and toilet at the location shown. Measure &amp; cut the excess length "A" of outlet pipe such that toilet matches with the wall surface. <b>Refer Figure # 5.</b></li> <li>Remove the toilet. Cut and file the outlet pipe to the proper length. <b>Refer Figure # 6.</b></li> <li>Add silicon sealant in the gasket grooves. <b>Refer Figure #7a.</b> Slide the outlet pipe into the drain as shown in <b>Figure #7b.</b></li> <li><b>ASSEMBLE THE TOILET (Figure #8)</b> <ol style="list-style-type: none"> <li>Mount the toilet on the bolts projecting out of the wall.</li> <li>Use spirit level to ensure toilet is leveled.</li> <li>Insert rubber, washer &amp; nut successively. Tighten the nut suitably then place the plastic cap.</li> <li>Place the rubber gasket on (Toilet Inlet).</li> </ol> </li> <li><b>ASSEMBLE THE TANK (Refer Figure #9)</b> <ol style="list-style-type: none"> <li>Remove the flush valve from tank.</li> <li>Place the tank on the bowl &amp; insert bolt with rubber &amp; plastic washer through the mounting holes at the bottom of the tank. Tighten the bolts suitably (2 turns max. post hand tighten).</li> <li>Put the flush valve to it's original location.</li> </ol> </li> </ol>	<p><b>1 ROUGHING-IN</b></p> <p>Unit : Inches (cm)</p> <p><b>2</b></p> <p><b>3</b></p> <p><b>4</b></p> <p><b>5</b></p> <p><b>6</b></p> <p><b>7</b></p> <p><b>8</b></p> <p><b>9</b></p>
---	---

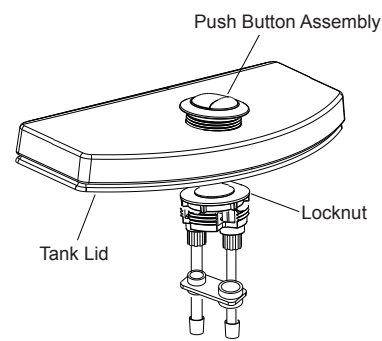
10. **WATER SUPPLY INSTALLATION (Refer Figure #10)**  
Connect the Tank inlet to Angle valve using flexible hose & turn on the water supply.
11. **PUSH BUTTON CONNECTION (Refer Figure # 11)**  
a) Remove the Locknut & place the Push Button Assy. through the hole of the tank lid.  
b) Tighten the Locknut from the bottom of the lid.  
c) Cut the rods as per required length.  
d) Place the Tank Lid.
12. Flush the toilet. Check for leaks. Seal connections if required.  
**Refer Figure # 12.**
13. Seal around the edges using silicon sealant. Do not use cement.  
**Refer Figure # 13.**
14. Install the toilet seat as per toilet seat Installation Instruction.

**10**

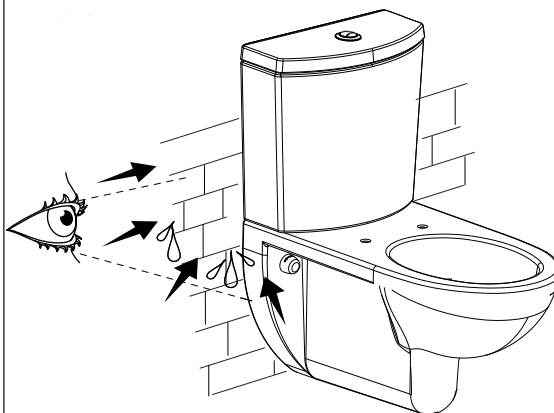
**NOTE :**  
Use hose only,  
Length: 200-300mm min.  
(Not provided)



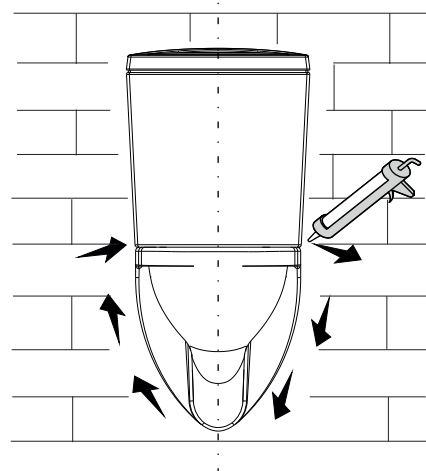
**11**



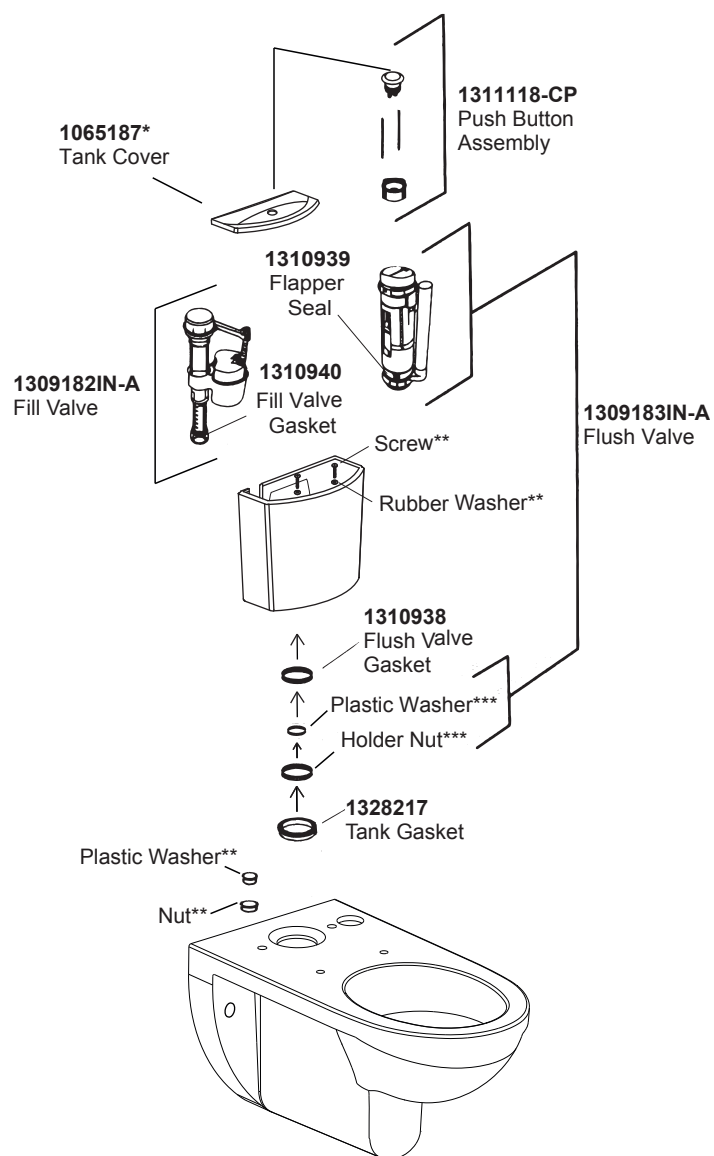
**12**



**13**

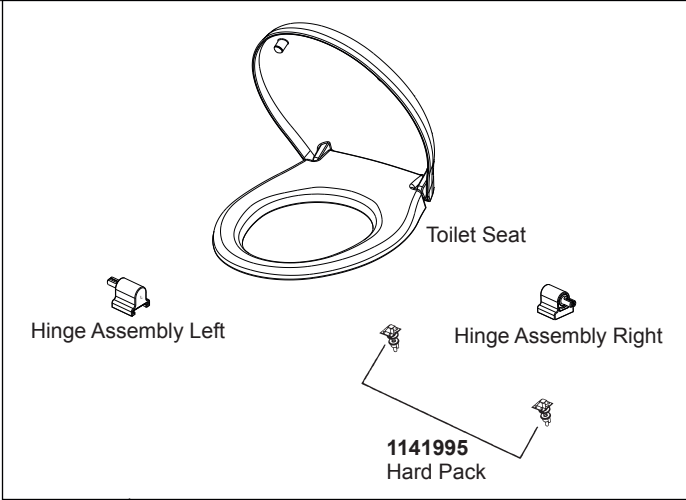


**SERVICE PARTS LIST**



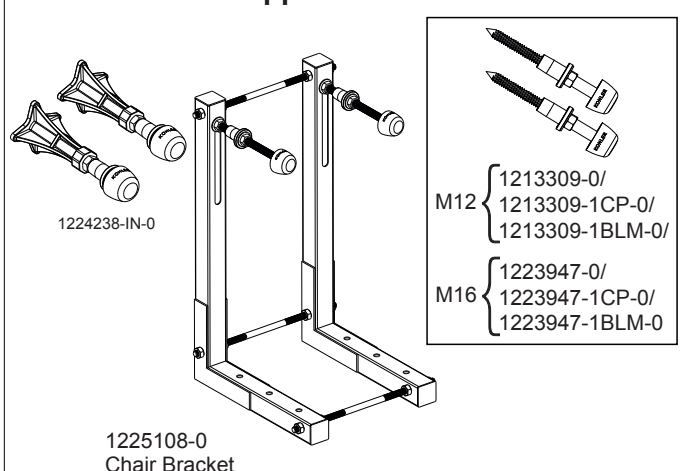
\*\*1328218 Tank Accessory Pack includes :-  
- Screw (2 nos.)  
- Rubber Washer (2 nos.)  
- Nut (2 nos.)

\*\*\* Not available as spare.



Toilet Seat	Hinge Assy Left	Hinge Assy Right	Color code * must be specified when ordering. Available in "-0" (White) & "-96" (Biscuit)
8827IN*	1171469*	1171470*	

**Recommended supports for Toilet installation\*\*\***



\*\*\* Installation parts shown aren't supplied with the product, to be procured separately.

**IMPORTANT CONSUMER INFORMATION**

**⚠ WARNING: Risk of property or product damage:**

- Use mild soap to clean the toilet. Do not use abrasive cleaners or solvents.
- Do not use in-tank cleaners. Products containing chlorine (calcium hypochlorite) can seriously damage fittings in the tank. This can lead to leakage and property damage.
- Do not use white cement or high lime content cement to install this toilet. The expansion of cement due to a rise in temperature may crack the toilet.
- Kohler is not responsible for any damage caused by installation with the use of cement.