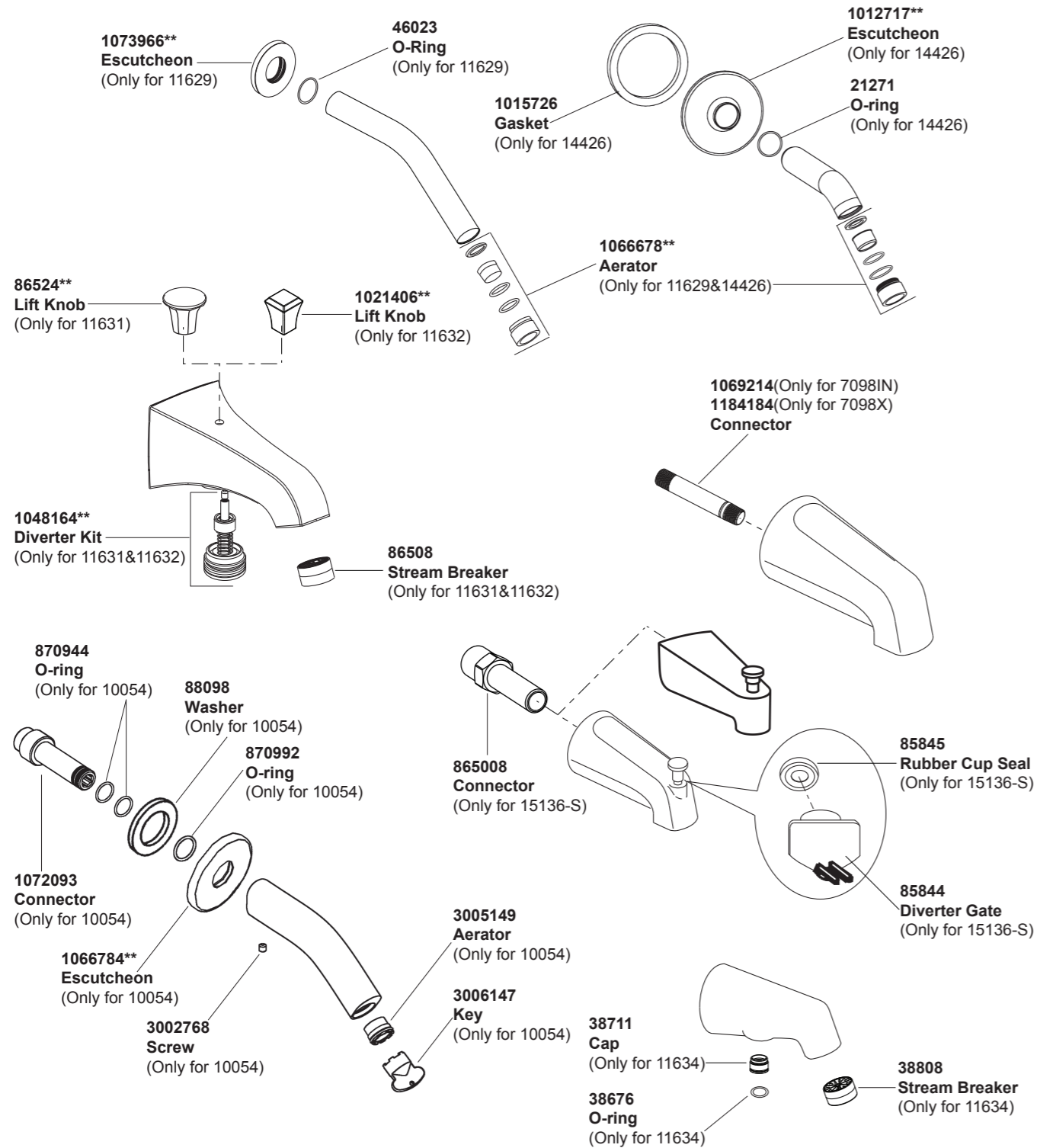


14426 11629 11631

10054 11632 11634

7098 7099 15136-S

BATH SPOUT



**Color code must be specified when ordering

14426 11629 11631

10054 11632 11634

7098 7099 15136-S

BATH SPOUT

BEFORE YOU BEGIN

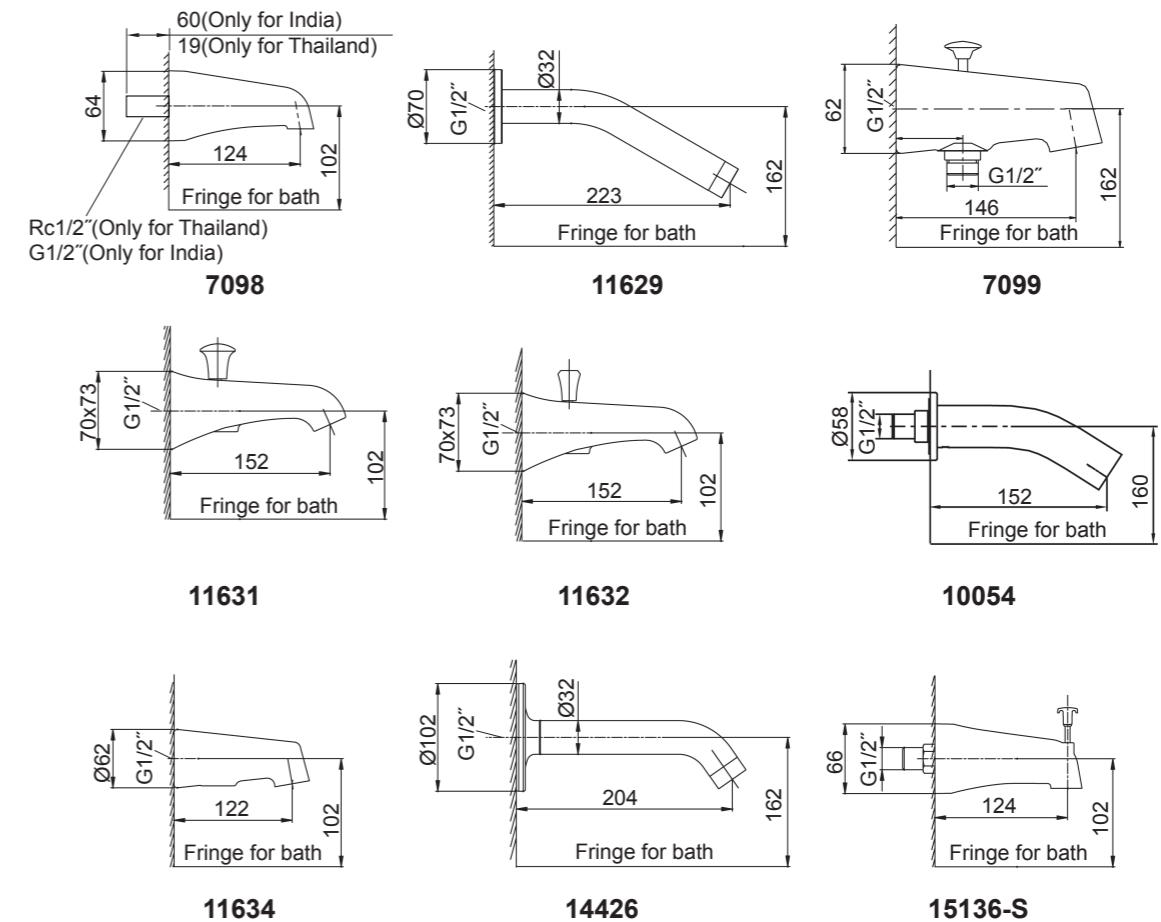
All information is based on the latest product information available at the time of publication. Kohler Co. reserves the right to make changes in product characteristics, packaging, or availability at any time without notice.

Please leave these instructions for the consumer. They contain important information.

NOTES:

1. Flush the water supply pipes thoroughly to remove debris.
2. Shut off the water supplies to the fitting.
3. Observe all local plumbing and building codes.
4. Inlet threads of spout for 7098 are Rc1/2".

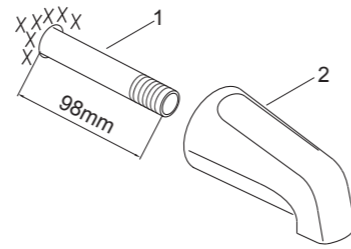
ROUGH-IN DIMENSIONS



INSTALLATION

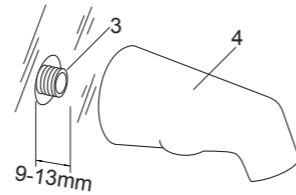
Only for 7098

Install a R1/2" taper thread nipple(1, only provided G1/2" nipple for India and Thailand) to the bath pipe so it extends 98mm beyond the finished wall. Apply tape or thread sealant to the nipple threads, and install the spout(2). Tighten by strap wrench with spout downwards.



Only for 11631/11632/11634

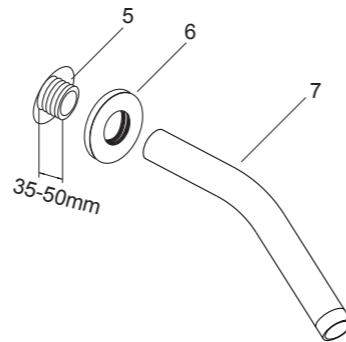
Apply tape or thread sealant to the G1/2" nipple(3, not provided) threads. Install the G1/2" nipple(3) to the bath pipe so it extends 9~13mm beyond the finished wall. Apply a ring of plumbers putty to the spout base. Install the spout(4), and tighten by strap wrench with spout downwards. Remove any excess putty.



Only for 11629

Apply tape or sealant to the G1/2" nipple(5, not provided) threads. Install the G1/2" nipple to extend 35~50mm beyond the finished wall.

Install the escutcheon(6) onto the spout kit(7). Thread the spout kit to the G1/2" nipple. Tighten by strap wrench. Adjust the spout downwards. Push the escutcheon against the finished wall.

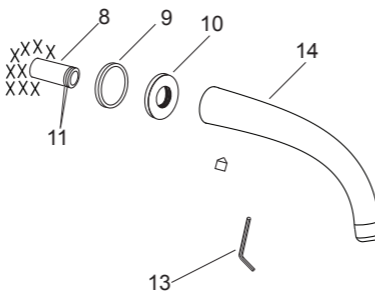


Only for 10054

Install the spout connector(8) to make it extend beyond the wall 30~50mm.
NOTE: The spout connector with two O-ring(11) on the top. Insert the washer(9) into the groove of the escutcheon(10) with O-ring. Slide the escutcheon to the spout connector with KOHLER logo upwards. Push the escutcheon against the wall.

Slide the spout(14) onto the spout connector until it touches the escutcheon. Adjust the spout downwards. Tighten screw(12) with hex wrench(13) to secure the spout.

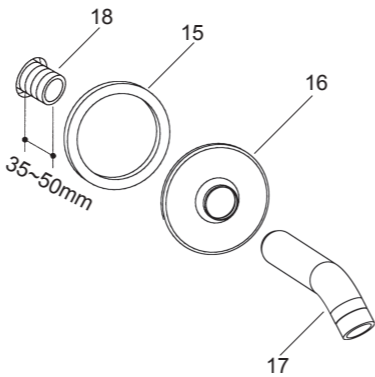
NOTE: Do not overtighten the setscrew.



Only for 14426

Apply tape or sealant to the G1/2" nipple(18, not provided) threads. Install the G1/2" nipple to extend 35~50mm beyond the finished wall.

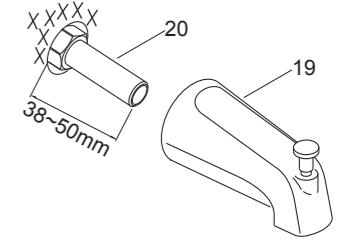
Stick the sticker washer(15) into the bottom of the escutcheon(16) as a circle. Install the escutcheon onto the spout kit(17). Thread the spout kit to the G1/2" nipple. Tighten by strap wrench. Adjust the spout downwards.



Only for 15136-S

Install the slip-fit spout connector(20) to make it extend beyond the finished wall 38~50mm. Install the spout(19) to connector. Adjust the spout downwards, and carefully tighten the setscrew in the bottom of the spout.

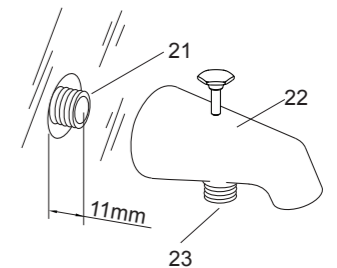
NOTE: Do not overtighten the setscrew.



Only for 7099

For easy installation, installer must provide G1/2" nipple(21) to the pipe so it extends 11mm beyond the finished wall. Apply tape or thread sealant to the nipple threads. Apply a ring of plumbers putty or sealant to the spout base, carefully thread the spout(22) onto the nipple with a strap wrench. Remove any excess putty or sealant.

Connect handspray hose(not provided) to the outlet(23).

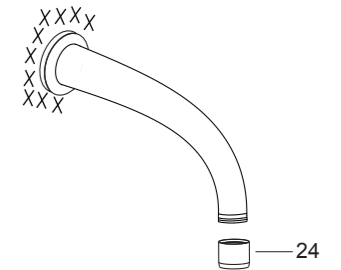


INSTALLATION CHECKOUT

Ensure that all connections are tight.

Open the drain. Turn on main water supply and check for leaks. Repair as required.

Remove aerator assembly(24), for 10054, using provided key. Flush hot and cold water through spout for about one minute to remove any debris. Remove any debris from aerator assembly. Turn off water supply and reinstall aerator assembly.



CLEANING INSTRUCTIONS

All Finishes: Clean the finish with mild soap and warm water. Wipe entire surface completely dry with a clean soft cloth. Many cleaners may contain chemicals, such as ammonia, chlorine, toilet cleaner etc. which could adversely affect the finish and are not recommended for cleaning.

Do not use abrasive cleaners or solvents on Kohler faucets and fittings.