

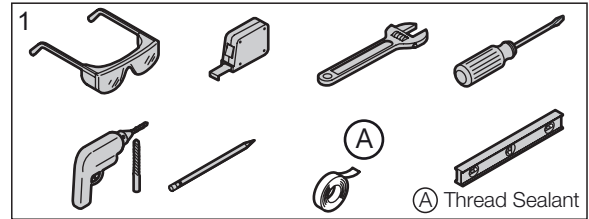
Important Information

⚠ CAUTION : Risk of personal injury or product damage. Handle with care. Vitreous china can break or chip if the product is handled carelessly.

Notes: Works with 3L Flush volume.

Tools and materials needed

Refer Figure 1.



Ordering Information

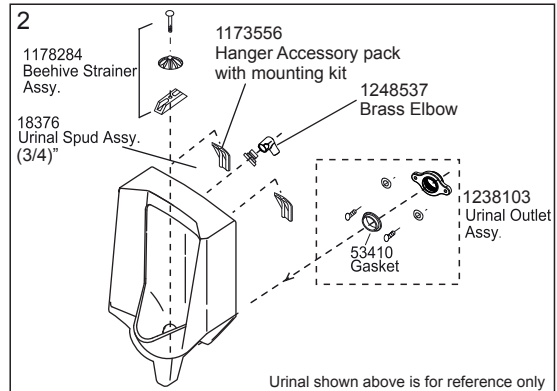
BARDON™ URINAL..... K-4978IN-ER*

DEXTER™ URINAL K-5017IN-ER*

Color code “ * ” must be specified when ordering.

Supplied Parts:

Refer Figure 2.



Recommended Urinal Sensors:

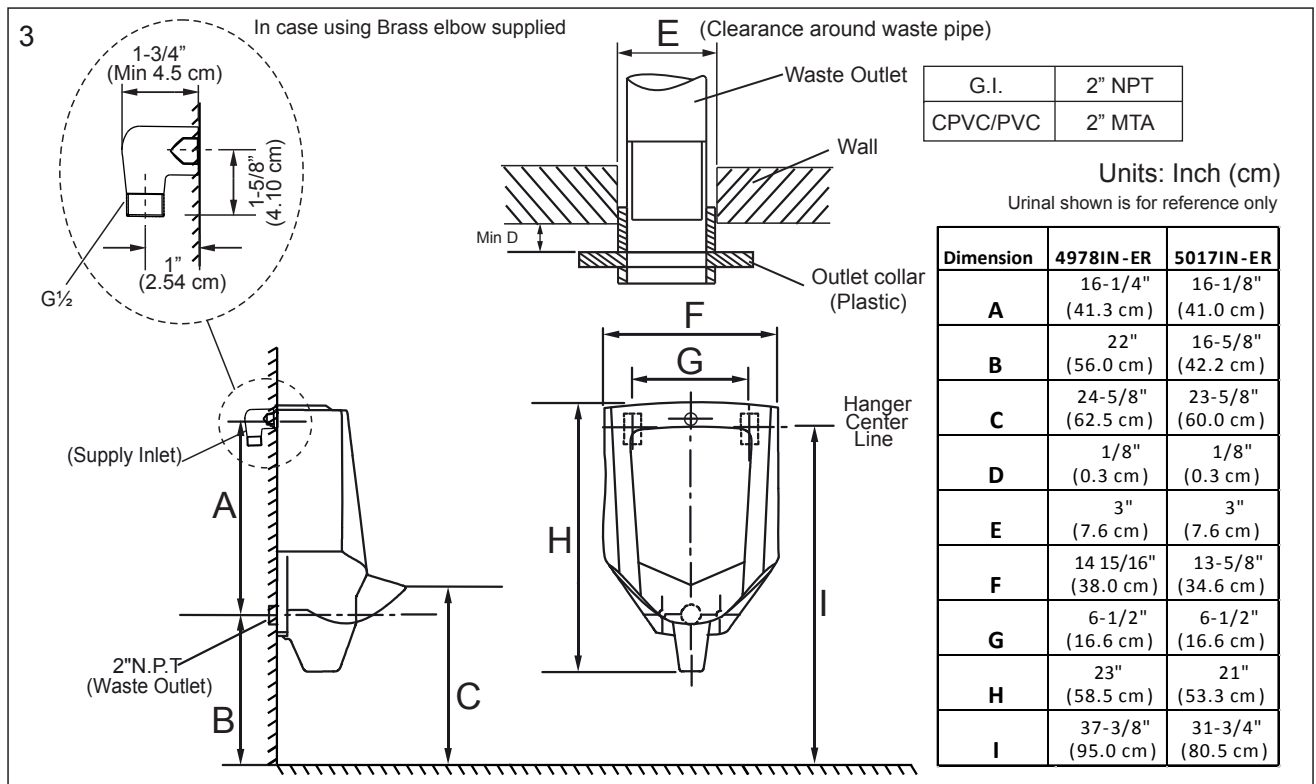
PATIO Urinal Sensor..... 24199IN-C01/C03-**

BARDON™ Urinal Sensor.....8787T-B01-**

Roughing-In

Refer Figure 3.

Fixture dimensions are nominal and confirm to tolerances by ASME Standard A112.19.2M.



Installation Guideline

1. Preparation

- Turn the water supply off.
- Install or relocate the supply tubing and waste pipe as necessary to confirm to the roughing-in dimensions.
- Install the shut-off valve.
- Install adequate support framing as needed.

- In case of CPVC/PVC connection, 2" CPVC/PVC-MTA required to maintain the drain line 2".
- Drain pipe should be installed at a slope of 2% i.e. 1.2° in director of water flow. **REFER FIG#4**

⚠ Caution: Do not undersize piping as it will lead to clogging of the outlet and reduction in rate of waste outflow.

2. Install the Urinal

- Mount the hangers on the wall with screws & anchors according to the roughing-in illustration. **REFER FIG# 3 & 5**
- Apply thread sealant tape to the outlet pipe threads and install female collar to the waste pipe. **REFER FIG# 6**
- Place the gasket onto the female collar with the beveled surface facing away from the collar. **REFER FIG# 6**
- Connect supply pipe (Flexible pipe) to the urinal spud assembly and fix the other end to main supply
- For (1/2)" supply line connections, attach Brass Elbow reducer (3/4)" to (1/2)". **REFER FIG# 7**
- Create a slot inside the wall as needed to install elbow (provided) & hide the flexible pipe.
- Carefully position the urinal on the wall hangers. **REFER FIG# 8**

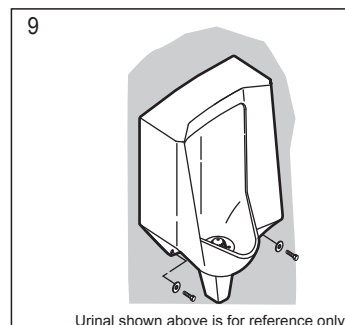
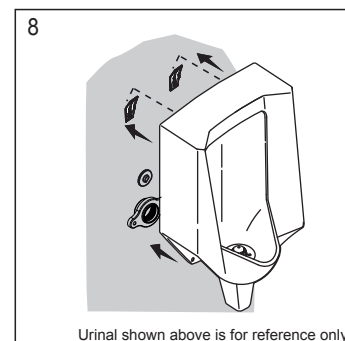
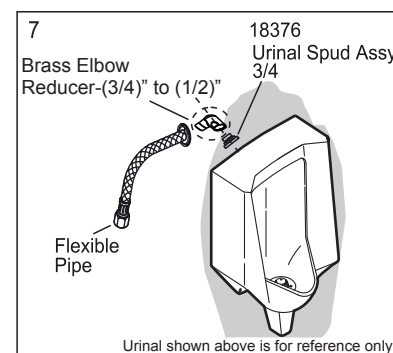
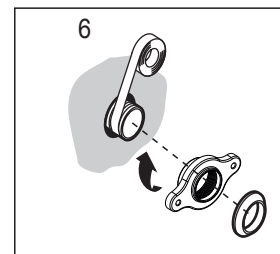
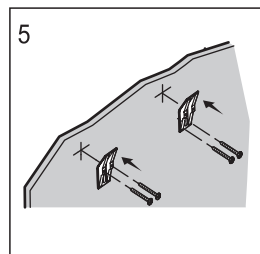
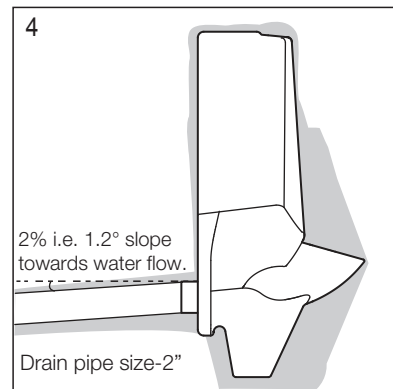
⚠ CAUTION: Risk of personal injury or product damage.
Handle with care. Vitreous china can break or chip if the product is handled carelessly.

- Secure the urinal to the female collar with the screws and washers. **REFER FIG# 9**

⚠ CAUTION: Risk of product damage. Do not over tighten the screws

3. Complete the Installation

- Install the Flush valve or urinal sensor according to the manufacturer's instructions.
- Connect the water supply and complete the waste pipe connections
- Turn on the water supply
- Flush and check the entire installation for leaks.
- Repair as needed,



Consumer Responsibilities

In hard water area, make certain that holes in the urinal rim are kept clean and unclogged to ensure proper flushing. Toilet bowl cleaners should be used at least once a week. Use a long handled brush to clean the rim holes to prevent minerals deposits from forming.

Most toilet bowl cleaners are not harmful to the vitreous china surface of the urinal. Please follow the bowl toilet cleaner manufacturer's instruction carefully Do not use abrasives cleaners or solvents.

4. To Achieve Desired Performance:

- Filter of urinal sensor should be cleaned once in 6 weeks (normal water).
Once in 3 weeks (treated water).
- Drain Line of Urinal should be cleaned one in 8 weeks (normal water).
Once in 4 weeks (treated water).

NOTE : However , actual Cleaning frequency to be decided as per site conditions & usage frequency.

- Min. Line pressure-(0.17) mpa (static).

⚠ CAUTION: In case of treated water, water discoloration /yellowing is very likely.

⚠ WARNING:Risk of property or product damage.

Products containing chlorine (Calcium hypochlorite) can seriously damage fittings in urinal. This damage can cause leakage and property damage.

Kohler company shall not be responsible or liable for any damage to the product or user caused by installation or by the use of cleaners containing chlorine (Calcium hypochlorite)

Toll Free 1800 103 2244

kohler.co.in

© 2006-18 Kohler Co.