

KALLISTA®

Two-Handle Ceramic Valve

FEATURES

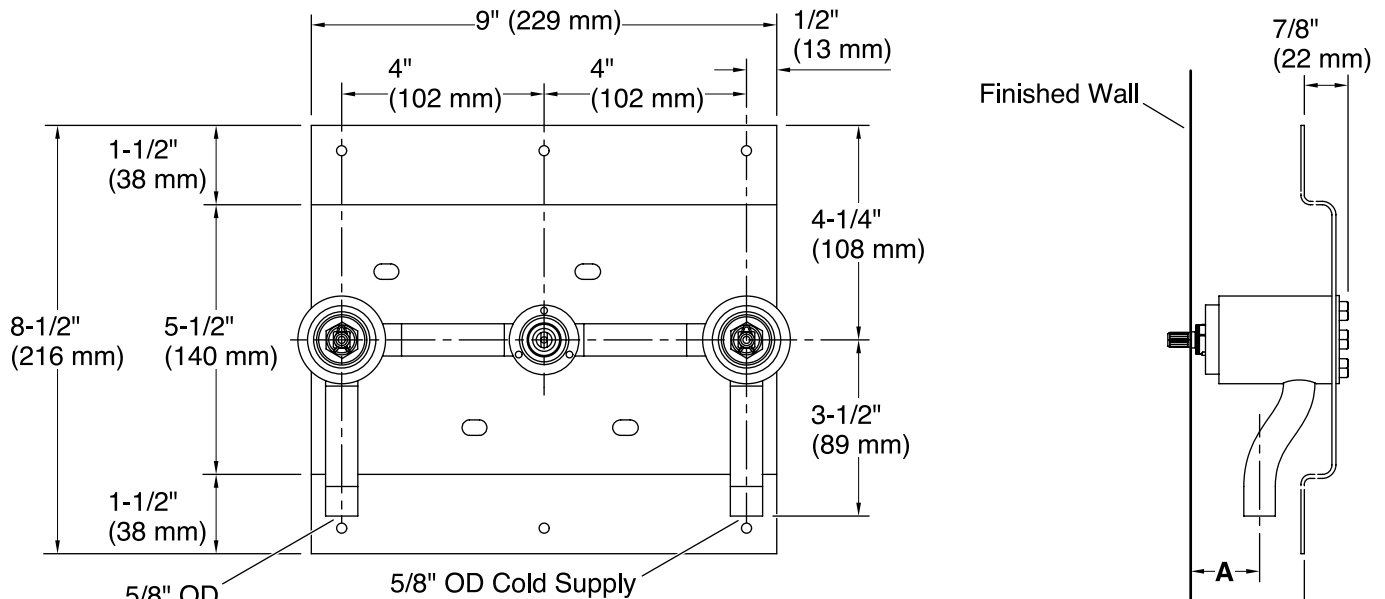
- Brass construction
- 2.2 gal/min (8.3 l/min) maximum flow rate
- Dual control wall-mount

CODES/STANDARDS APPLICABLE

Specified model meets or exceeds the following:

- ASME A112.18.1/CSA B125.1
- Energy Policy Act of 1992
- IAPMO/UPC
- NSF 61

P29304



5/8" OD
Hot Supply

5/8" OD Cold Supply

	A	B
P24200, P24200W, P24201, P24201W	1-9/16" (40 mm) Min 2-7/16" (62 mm) Max	2-7/16" (62 mm) Min 3-5/16" (84 mm) Max
P24410, P24411	1-11/16" (43 mm) Min 2-5/16" (59 mm) Max	2-1/2" (64 mm) Min 3-1/8" (79 mm) Max
All Other Trim	1-3/8" (35 mm) Min 2-5/8" (67 mm) Max	2-1/4" (57 mm) Min 3-1/2" (89 mm) Max

INSTALLATION NOTES

Install this product according to the installation instructions. Three $\text{\O} 1\text{-}1/2"$ (38 mm) cutout holes are required for the spout and handles. Follow the installation dimensions precisely as there is no deep roughing-in kit available for this product.

SPECIFIED MODEL

Model	Description	Finishes
P29304-00	Two-Handle Ceramic Valve	<input type="checkbox"/> NA

We reserve the right to make revisions without notice in the design of products or in packaging unless this right has specifically been waived at the time the order is accepted.