



Collection: SINGULIER

Finish*:



CP - Polished
Chrome

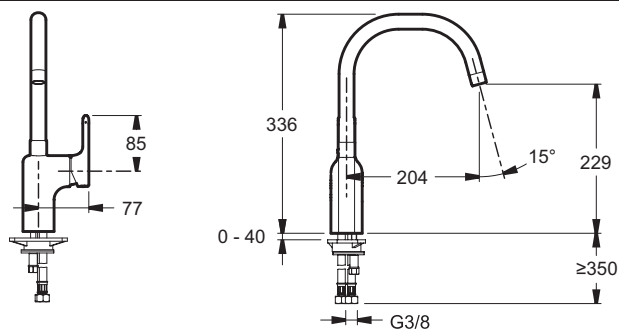
Main features:



Features

- Weight: 2.7 kg
- Flow rate: 14 l/min
- With swivelling tube spout
- Water saving feature
- Installation: 1 hole
- Mechanism: Ceramic disc cartridge
- Temperature limiter ring

Technical drawing



Product Specification: Single-lever sink mixer. 10877D. Collection: SINGULIER. Weight: 2.7 kg. Installation: 1 hole. Flow rate: 14 l/min. Mechanism: Ceramic disc cartridge. With swivelling tube spout. Temperature limiter ring. Water saving feature.