


BEFORE YOU BEGIN

Observe all local plumbing and building codes.

Prior to installation, unpack the new sink and inspect it for damage. Return the sink to its protection carton until you are ready to install it.

Inspect the waste and supply tubing; replace if necessary.

 **CAUTION: Risk of personal injury or product damage.** Cast iron sinks are very heavy. Get help lifting the sink into place.

For a replacement installation, make sure the existing cutout is the same size or smaller than the cutout for the new sink. This sink is not intended for undercounter installation.

Please leave these instructions with the consumer; they contain important care, cleaning, and warranty information.

 **WARNING**
PRODUCT WEIGHT: 35KG.
BEFORE YOU INSTALL NEW SINK, PLEASE BUILD A PROPER STRUCTURE TO SUPPORT THE SINK.

安装之前

留意所有本地管道和建筑标准。


在安装之前，打开新水槽的包装，检查有否损坏。再将水槽放回包装箱内，直到你准备好安装了。

检查进出水管道；如果需要，要进行更换。

 **当心：**可能有产品损坏或人身伤害。铸铁水槽非常重，在搬动时需要请人帮助。

如果是更换安装，确保现有的水槽切口尺寸比新的水槽尺寸小或相同。此水槽不适用于台下安装。

本指引包含了有关护理，清洁及保养等重要资料—请交予用户保存。

 **注意**
本产品的重量为35公斤。
在安装产品之前，请注意打造与产品重量相适应的支撑框架。

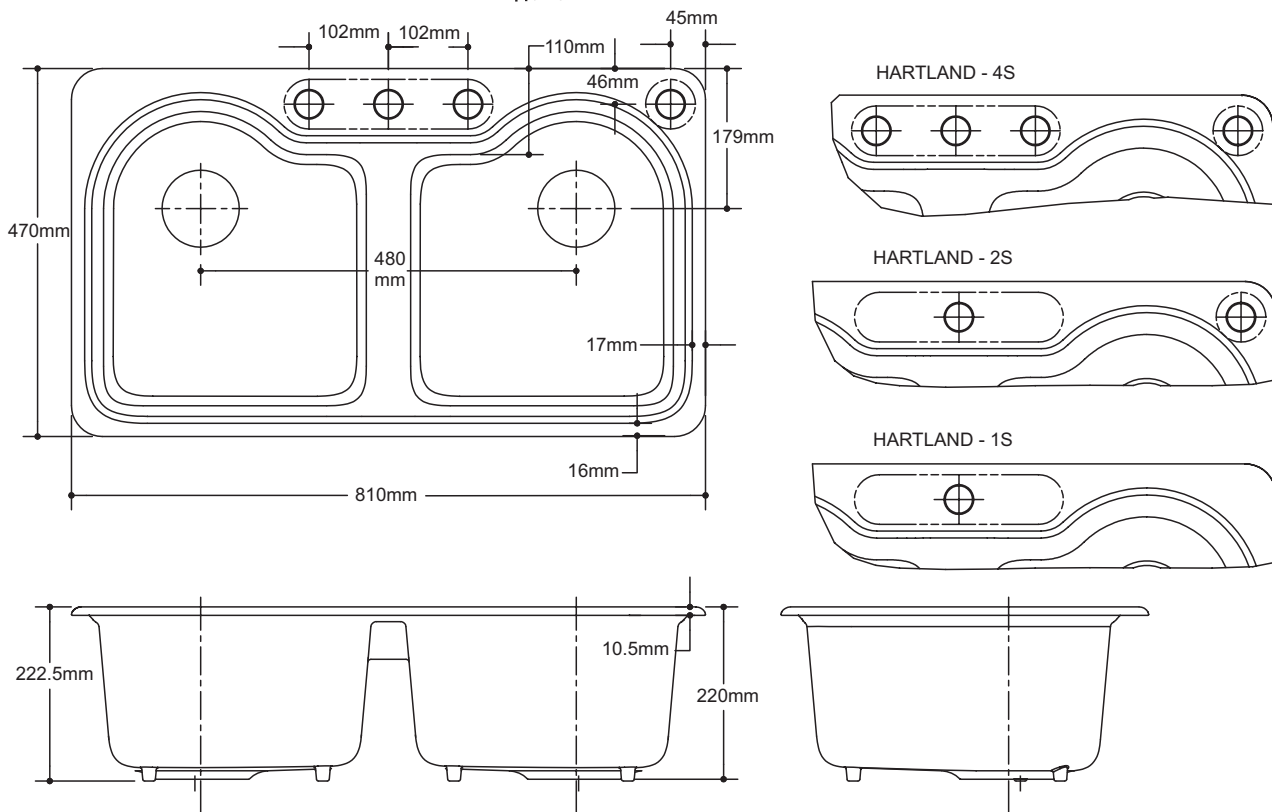
RECOMMENDED TOOLS AND MATERIALS

- Sealant
- Pencil
- Tape Measure
- Putty Knife
- Sharp Knife or Scissors
- Saber Saw or Keyhole Saw
- Drill and 13mm Drill Bit
- Safety Glasses
- Masking Tape
- Rags or Paper Toweling
- Pipe wrench

推荐使用的工具和材料

- 密封硅胶
- 铅笔
- 卷尺
- 泥灰刀
- 快刀或剪刀
- 剑齿锯或锁眼锯
- 电钻和13mm钻头
- 安全眼镜
- 遮蔽胶带
- 抹布或纸巾
- 水管板钳

皓兰 HARTLAND



INSTALL THE NEW SINK

安装新水槽

Check the desired sink location for clearance between the backsplash wall, faucet, fixture, and cabinet.

检查所需的水槽安装位置，确保水槽在安装完毕后为后挡水板或挡水墙，龙头和厨柜之间留有相应的空间。

Position and trace the template on the countertop as directed on the template.

如切割模板上所示将模板置于台面上。

Drill a 13mm pilot hole on the inside of the cut line.

在切割线内打一个13mm的导孔。

Cut out the countertop opening with a saber or keyhole saw.

用剑齿锯或锁眼锯凿出台面的切口。

CAUTION: Risk of personal injury or property damage. Cast iron sinks are very heavy. Get help lifting the sink.

⚠ 当心：可能会对人身或财产产生损害。 铸铁水槽非常重，在搬动时需要请人帮助。

Temporarily position the sink in the countertop opening. Verify the fit and position.

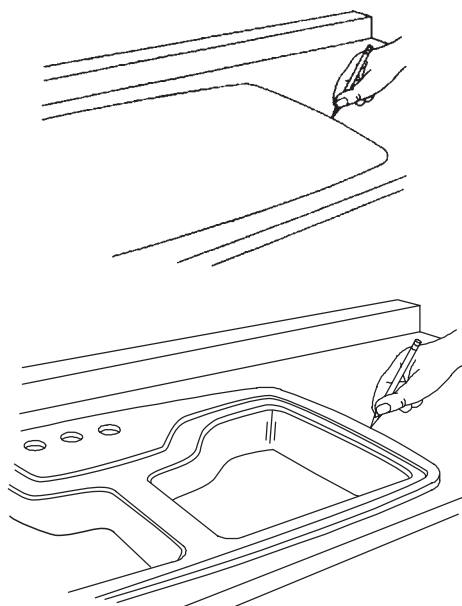
暂时将水槽放在凿出的切口上，并检查合适度及位置。

Trace a pencil line, or apply a border of masking tape around the outside edge of the sink.

沿着水槽外边缘画出一条铅笔线，或者用遮蔽胶带做一条边界线。

Remove the sink from the countertop opening.

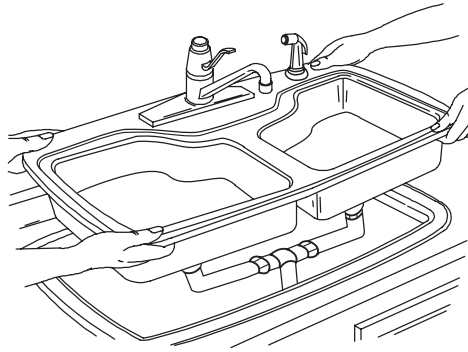
将水槽从切口上移走。



IF THE FAUCET AND DRAIN ARE NOT INSTALLED, INSTALL THEM AT THIS TIME. BE SURE TO FOLLOW ALL INSTRUCTIONS PACKED WITH THE PRODUCT.

Clean the countertop, and carefully position the sink in the countertop opening so the sink edges line up with the pencil line or masking tape border.

Apply a thin, continuous bead of quality sealant around the sink edges.



如果龙头和排水件还没有安装，现在就将它们安装好。一定要按照产品包装上的说明安装。

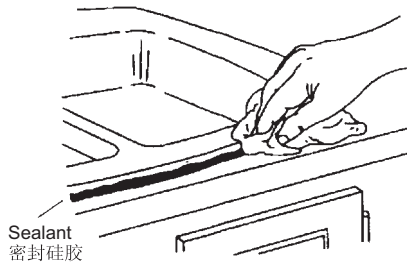
清洁台面，小心地将水槽放入台面切口处，让水槽的边缘与画的线条或胶带边界条一致。

在水槽边缘涂一小圈连续的密封硅胶剂。

Immediately wipe away any excess sealant, and fill any voids as needed.

Verify that the sink has not moved out of position.

Allow the sealant to cure at least 30 minutes before proceeding.



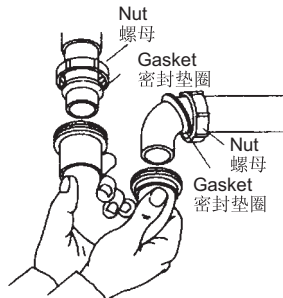
立即抹去多余的密封硅胶，并填补任何小空隙。

检查水槽有否被移动了。

在继续下一步骤之前让密封硅胶风干至少30分钟。

CONNECT SUPPLIES AND DRAIN ASSEMBLY

- Connect the faucet supply lines, according to the manufacture's instructions.
- Connect the drain assembly, according to the manufacture's instructions.
- Open the faucet valves, and check for leakage.
- Clean up with a non-abrasive cleaner.



连接供水和排水系统

- 按照厂商说明书，连接龙头供水管。
- 按照厂商说明书，连接排水系统。
- 打开龙头阀，检查是否有漏水现象。
- 用非研磨清洁剂清洁。

IMPORTANT CONSUMER INFORMATION 重要消费信息

CARE AND CLEANING

- DO NOT use steel wool, abrasive sponge pads, wire brushes, or metal scrapers to clean a Kohler kitchen sink.
- DO NOT use high alkaline or strong acid cleaners.
- For stubborn stains such as metal marks, abrasive cleaners may be used sparingly. Follow cleaner manufacturer instructions very carefully. Avoid soaking dishes for long periods of time and refrain from leaving coffee grounds and tea bags in the sink.
- Keep your cast iron sink looking new by rinsing it out thoroughly after each use.
- DO NOT regularly use abrasives on enameled cast iron, as this will eventually scratch and ruin the surface. Stubborn paint stains or tar can be removed with turpentine or paint thinner.

养护和清洁

- 请勿使用钢丝球、有磨损性的海绵垫、钢丝刷或金属刮刀，清洁科勒铸铁水槽。
- 请勿使用碱性或强酸性清洁剂。
- 对于诸如铁锈的污迹，可适当使用研磨物。仔细按照制造商的指引做清洁。不要在水槽中长时间用洗涤剂浸泡碟子，避免将咖啡渣或茶袋朝水槽内扔。
- 在每次使用过后用水仔细冲洗，这样就可以让你的铸铁水槽看上去象新的一样。
- 请勿经常在搪瓷铸铁水槽上使用研磨物(如百洁布等)，因为它们将最终刮花或者损坏水槽的表面。顽固污迹、油漆或石油沥青可以用松脂或油漆稀释剂除去。

LIMITED ONE-YEAR WARRANTY

一年有限担保

Plumbing Fixtures and Fittings Limited One-year Warranty

Kohler plumbing fixtures and fittings are warranted to be free of manufacturing defects.

This product is warranted for one year from date of purchase. Kohler China will be responsible for any problems caused by manufacturing defects provided with the invoice. Kohler China will, at its election, repair, replace or make appropriate adjustment where Kohler China inspection discloses any such defects occurring in normal usage within one year after purchase.

Implied warranties including that of merchantability and fitness for a particular purpose are expressly limited in duration to the duration of this warranty, Kohler China disclaims any liability for special, incidental or consequential damages. Damages to the product caused by misuse, abuse and installation that is not in accordance with the owner's manual are not covered by this warranty.

To obtain quick warranty service, please contact your dealer, or write to Kohler China. (Original sales receipt must be provided as the proof of purchase.)

Kohler China Investment Company Ltd.
Central Customer Service Center
19/F, Shanghai Square, 138 Huai Hai Road,
Luwan District, Shanghai, PRC
Zip Code: 200021

This is our exclusive written warranty.

陶瓷及浴缸产品及配件担保——一年有限担保

科勒公司担保其陶瓷及浴缸产品及配件在制造工艺上无瑕疵。

本产品自购买之日起即获得本公司一年的质量保证。在质保期内，凭购货发票，科勒公司将免费承担由制造质量引起的任何问题。经核查后，科勒中国有限公司有权决定是修理、更换、还是作适当的调整。

这里所指的担保，包括产品，都已明确地限制在该担保期之内。科勒中国有限公司对其后出现的损坏不负有任何责任。担保也不包括外观损伤、使用不当以及未按说明书安装的损失。

为获得快捷的担保服务，请联系您的销售商；您也可写信给科勒中国有限公司(请出示销售发票原件作为购货凭证)：

科勒(中国)投资有限公司
中央客户服务中心
上海市卢湾区淮海中路138号
上海广场19楼
邮编：200021

这是我们全部的书面担保。