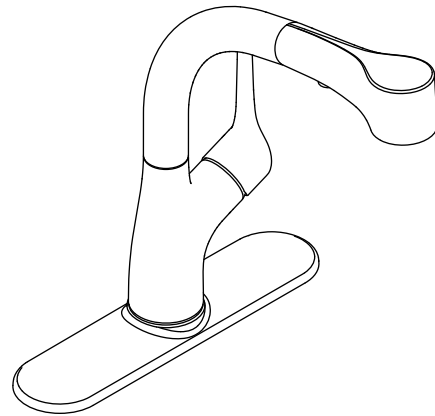


Features

- Metal construction
- One-piece, self-contained ceramic disc valve allows both volume and temperature control
- Temperature memory allows faucet to be turned on and off at any temperature setting
- Integral pullout sprayhead with retractable hose
- Compact three-function sprayhead with spray, aerated flow, and pause functions
- Contemporary styling
- 10-1/2" (267 mm) escutcheon plate for three-hole installation
- Ground joint connections
- 9" (229 mm) spout reach
- Less flexible supplies
- Meets CalGreen requirements for kitchen faucets
- 1.8 gal/min (6.8 l/min) maximum flow rate at 60 psi (4.1 bar)

**PULLOUT KITCHEN SINK FAUCET
K-R13963**

ADA



Codes/Standards Applicable

Specified model meets or exceeds the following at date of manufacture:

- ADA
- ASME A112.18.1/CSA B125.1
- ICC/ANSI A117.1
- NSF 61
- Energy Policy Act of 1992
- All applicable US Federal and State material regulations

Colors/Finishes

- CP: Polished Chrome
- VS: Stainless Steel

Accessories:

- NA: None applicable

Specified Model

Model	Description	Colors/Finishes	
		<input type="checkbox"/> CP	<input type="checkbox"/> VS
K-R13963	Pullout kitchen sink faucet (shown)		<input type="checkbox"/> VS
K-R13963-SD	Pullout kitchen sink faucet with soap/lotion dispenser	<input type="checkbox"/> CP	

Product Specification

The pullout kitchen sink faucet with contemporary styling shall be of metal construction. Faucet shall have a maximum flow rate of 1.8 gal/min (6.8 l/min) at 60 psi (4.14 bar). Faucet shall meet CALGreen requirements for kitchen faucets. Faucet shall be 9" (229 mm) spout reach. Faucet shall feature a one-piece, self-contained ceramic disc valve, allowing both volume and temperature control. Faucet shall feature temperature memory, allowing the faucet to be turned on and off at any temperature setting. Faucet shall feature ground joint connections and integral pullout sprayhead with retractable hose. Faucet shall feature a compact three-function sprayhead with spray, aerated flow, and pause functions. Faucet shall include a 10-1/2" (267 mm) escutcheon plate for three-hole installation. Product shall be less flexible supplies. Pullout kitchen faucet shall be Kohler Model K-R13963-_____-_____.

ELATE™

Optional Accessories

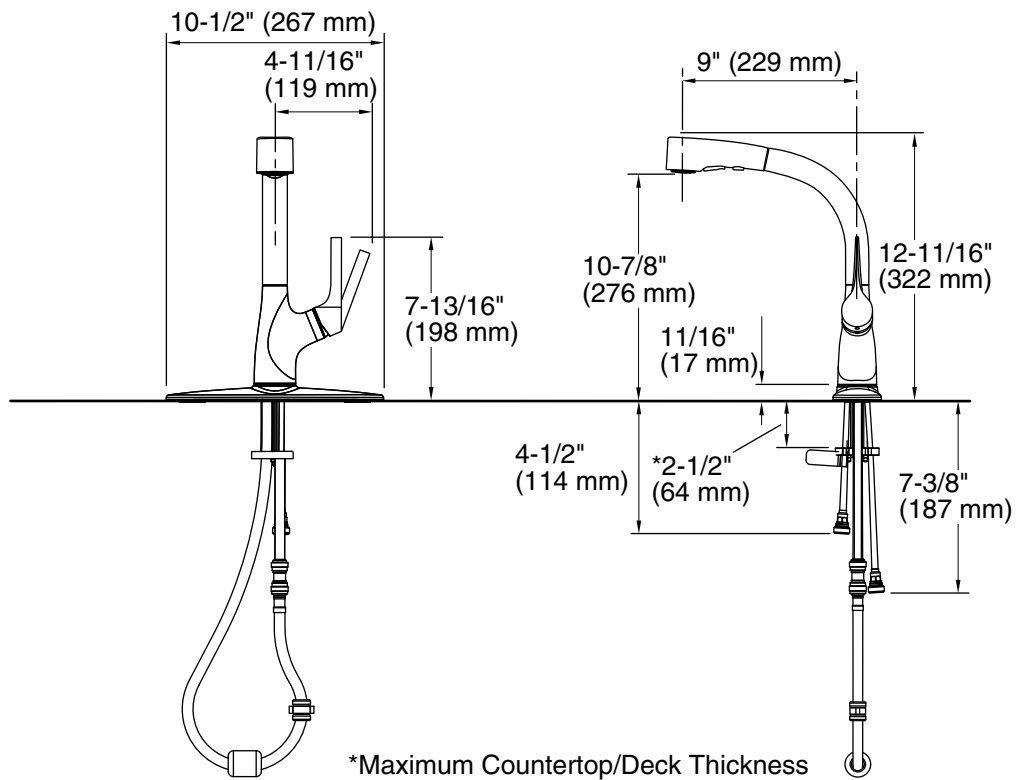
1177879	Low flow kit – reduces maximum flow to 1.5 gpm (5.7 L) at 60 psi (4.1 bar)	<input type="checkbox"/> NA
1177880	High flow kit – reduces maximum flow to 2.2 gpm (8.3 L) at 60 psi (4.1 bar)	<input type="checkbox"/> NA

Installation Notes

Install this product according to the installation guide.

Flexible supplies or suitable supply connections (not included) are required to complete the installation.

ADA compliant when installed to the specific requirement of the regulation.



Product Diagram