

BEFORE YOU BEGIN

- Please read these instructions carefully to familiarize yourself with the required tools, materials, and installation sequences. Follow the sections that pertain to your particular installation. This will help you avoid costly mistakes. In addition to proper installation, read all operating and safety instructions.
- All information is based on the latest product information available at the time of publication. Kohler China Ltd. reserves the right to make changes in product characteristics, packaging, or availability at any time without notice.
- These instructions contain important care, cleaning, and warranty information-**please leave these instructions for the consumer.**
- Please provide adequate available space for the bath unit in accordance with rough-in. Arrange the location of drain in advance.

IMPORTANT:

All installations must comply with council and local authority by-laws. It is the responsibility of the installer to ensure that the waste is made watertight by means of silicone sealant or caulking compound.

NOTE: Bath can be installed after the wall is completed. Bath drain supplies should be arranged preliminarily according to the selected bath.

安装之前

- 请仔细阅读此说明书以熟悉所需要的工具、材料及安装顺序。遵循适合您的特定安装要求的各项内容，避免昂贵的损失。除了要正确安装外，还应阅读操作及安全说明。
- 所有的资料是按最新出版的产品资料编写而成。科勒中国有限公司保留任何时候无须通知即可改变产品特性、包装或产品可供类型的权利。
- 说明书包括重要的安装、清洁及保养方面的内容，请把这些资料交给用户阅读。
- 请根据浴缸结构和尺寸预留相应安装空间，预排落水位置。

重要信息:

所有安装必须符合行业理事业会和地方政府的章程。安装人员有责任保证使用硅胶或填缝材料使污水不泄漏。

注意：本浴缸可以在浴室墙面完工后安装。但请预先根据所选浴缸预排地漏，供水管。

PRODUCT REQUIREMENTS

A. Summary Of Key Requirements

- Observe all local plumbing codes.
- Install the unit to a level subfloor.

B. Plumbing Specifications

If using a rim-mounted bath faucet, flexible connections between the valves and spout may be required. Confirm adequate mounting, connection space of specified faucet for your installation.

C. Product Inspection

Uncrate and inspect bath for damage. All Kohler's baths have been manufactured with sophisticated craftsmanship. However, please inspect for any possible damage that may have occurred in transit. Leave all materials in the crate during construction to prevent damage.

产品要求

A. 关键要求的总结

- 请遵守当地的卫生管道施工规范。
- 在水平的地板上安装浴缸。

B. 卫生管道规格

如果是在浴缸边缘安装水龙头，必须以软管连接阀体和水龙头，确认安装是否适当，及指定的水龙头连接空间是否足够。

C. 产品检查

小心地打开包装箱并检查浴缸是否损坏。本浴缸质量上乘。但在搬运过程中，可能会遭到损坏。请仔细检查。施工期间将所有的材料都留在箱内，以防止损坏。

NOTE: Damage occurred during transit shall not be covered by warranty.

注意：搬运或安装过程中所造成的损坏将不能获得保修。

D. New or Replacement Installation Requirements

This bath can be installed in new or existing bathrooms. For replacement: Remove the old bath, and remove enough old wall material and floor covering from the area to allow for installation. Remove any old plumbing that does not conform to the rough-in requirements. For new installation: Position the plumbing according to the rough-in dimensions. Cap the suppliers, and check for leaks.

D. 安装新浴缸或旧浴缸要求

无论新的和旧的浴室本产品均适合安装。
更换旧浴缸：搬去旧浴缸，清除所有旧墙材料和地板贴面以便于安装。拆除任何不配新浴缸尺寸的旧管道。

安装新浴缸：按安装尺寸图铺设管道。堵塞供水管，并检查渗漏。

INSTALLATION REQUIREMENTS

安装要求

A. Tools Required B. Materials Required

A. 所需工具

B. 所需材料

- Adjustable pipe wrench
- Rule
- Level
- Safety shoes
- Safety glasses
- Square
- Screwdriver
- Pliers
- Utility knife
- Adjustable wrench
- Plumbers putty
- Wall coverings(as necessary)
- Silicone sealant
- Gypsum cement(optional)
- Construction adhesive (optional)
- Protective covering for bathtub
- Nails

- 管道扳手
- 刻度尺
- 水平仪
- 安全鞋
- 安全眼镜
- 直角尺
- 螺丝刀
- 钳子
- 多用工具刀
- 活动扳手

- 管道用油灰
- 墙面保护罩(如需要)
- 密封硅胶
- 石灰水泥(选用)
- 建筑粘胶(选用)
- 浴缸保护套
- 钉子

C. Installation Note:

Read the entire installation instructions included with fixture before beginning the installation.

If installing a rim-mount faucet, make sure there is no interference with drain overflow before drilling any holes.

C. 安装须知:

安装之前请仔细阅读说明书的所有步骤。

如果是在边缘安装水龙头，钻孔前要确保和溢水管互不干涉。

D. Clearance Requirements

Check the rough-in and room dimensions to provide adequate available space for the bath unit.

D. 预留尺寸

检查安装尺寸及浴室尺寸，确保有充分的空间安装浴缸。

SITE REQUIREMENTS

场所要求

A. Subfloor Preparation

Check the flooring under the bath, and make repairs as needed. Make sure the subfloor is level. It is strongly recommended to prepare waterproof layer for the subfloor beforehand.

A. 底层地板的准备

检查浴缸下的地面，若需要请进行修补。请确保底层地面水平，对底层地面做防水处理。

BEFORE INSTALLING UNIT

A. Protect the Bath Unit

Position a protective covering or similar material in the bottom of the unit. Be careful not to scratch the bath surface.

安装浴缸之前

A. 保护浴缸

在浴缸表面盖上保护套或类似的材料，小心不要划伤浴缸表面。

INSTALL THE BATH

A. Locate the bath in the proposed position

1. Adjust the feet under the bath to make it level. Adjust the height of the bath to the height signed in the Roughing-In. Tighten the nut on the adjustable feet to settle the height of the bath.

IMPORTANT:

- The bath must be installed level on all top edges. Floor should be flat, level and free of any bumps or protrusions.
- Adjust the height of the bath to the height signed in the Roughing-In.

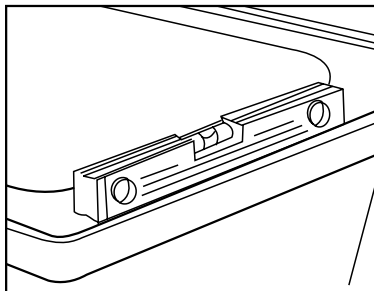
安装浴缸

A. 将浴缸放在合适的位置

1. 调整浴缸底部可调支撑脚使浴缸达到水平位置。浴缸高度必须调整到尺寸图所注的高度。最后旋紧支撑脚上部的螺母，就可以固定浴缸高度。

注意：

- 浴缸必须水平安装。底层地板必须水平。不得有凹凸不平的现象。
- 浴缸高度必须调整到尺寸图所注的高度。

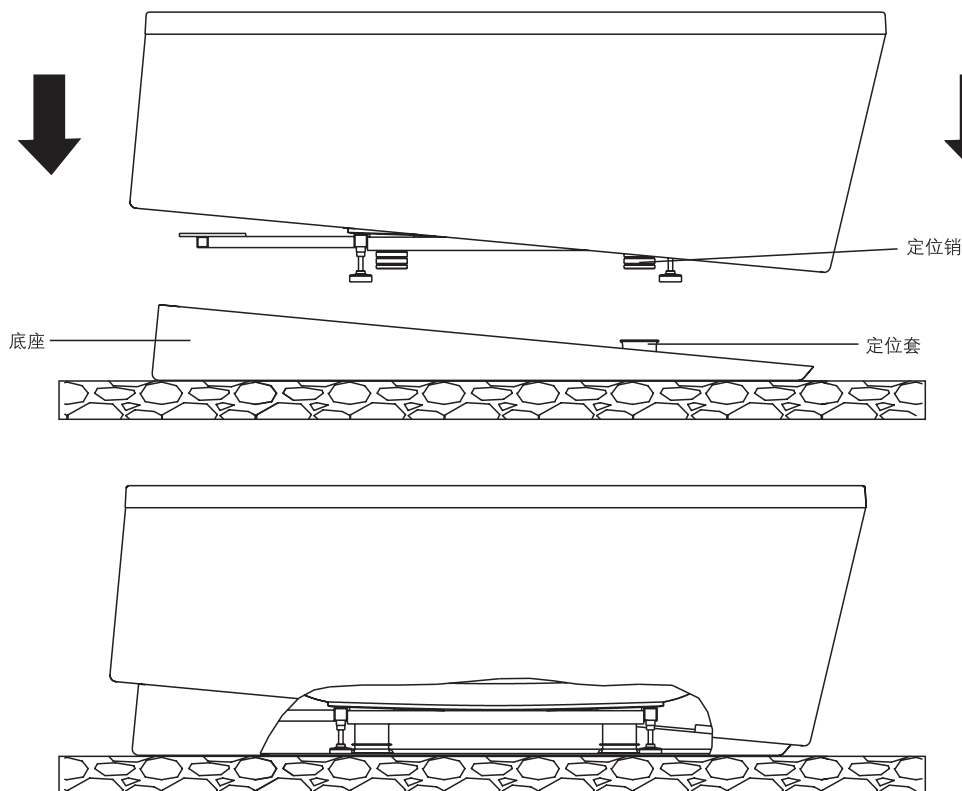


2. Place position template on the floor.
3. Fix guide bush onto the floor with silicone sealant.
4. Apply silicone sealant around the end top of the drain hose. Connect the drain hose with floor drain and make sure the drain hose protrudes from the floor for a certain length to facilitate future bath removal.
5. Connect cold and hot supplies and check all connections for leak.

2. 将底座放相应的地面上。
3. 用硅胶把底座固定在地面上。
4. 在排水软管尾端涂上密封硅胶，再将排水软管与地漏相接，保持软管留有一定的长度，以便于以后拆卸浴缸。
5. 连接冷热水管，并检查各连接处密封情况。

6. Apply silicone oil to guide bush inside wall and guide pin outside wall. Insert guide pin into guide bush as per the guide of the position template to finally fix the bath to the floor.

6. 先在定位套内壁和定位销外侧上抹上润滑油，然后将定位销插入定位套中，这样整个浴缸就被固定到地面上。



B. Plumbing Installation

The drain has been installed onto the bath before it leaves factory. Fill the bath with water before the bath is securely positioned so as to check the supply connections for leaks. Kohler Co. shall not be liable under its warranty or otherwise for damage caused by negligence.

Note: Take extra care to prevent bath bottom and subfloor from damage.

B. 安装卫生管道

浴缸排水在出厂之前已为您安装在浴缸上。在浴缸就位前请注水再次仔细检查各接头处是否有渗漏。疏忽导致的损坏，不能获得工厂的保修。

注意：避免损坏浴缸底部和底层地板。

C. Remove and install the freestanding bath

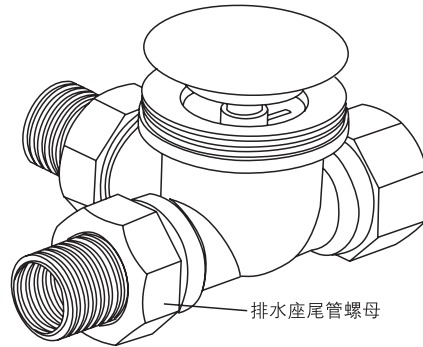
If the freestanding bath needs removing, please follow the steps below:

- 1) Lift the bath levelly, now the guide pin could be freely plugged out of the guide bush. Then remove the removable nut on the drain tailpiece.

C. 拆卸安装独立浴缸

如果需要拆卸浴缸，请遵循如下步骤：

- 1) 把浴缸水平抬起，这时定位销可从定位套中拔出，然后将排水尾管螺母拆下。



- 2) Start to mount the freestanding bath. Apply silicone oil to guide bush inside wall and guide pin outside wall, then insert guide pin into guide bush.

- 2) 安装独立缸时，先在定位套内壁和定位销外侧上抹润滑油。把定位销插入定位套中即可。

IMPORTANT CONSUMER INFORMATION

重要的用户资料

Cleaning and Care

Cleaning Acrylic Surfaces: Do not use abrasive cleansers on any acrylic surfaces, as they will scratch and dull the surface. Wipe out the bath after each use to prevent a build-up of soap and scum.

If the acrylic surface becomes dull, an automotive type rubbing compound *may be used on the unit, followed by an application of paste wax.

*We recommended:
Rubbing compound mequiars mirror glaze 28 metal polish (import product) or "green oil".

清洁和保养

清洗亚克力表面：请勿在亚克力表面使用磨损性的清洁用具，以免擦伤浴缸表面，使其失去光泽。每次使用后，将浴缸擦干，以防止肥皂和污垢沉积。

若亚克力表面失去光泽，先用汽车抛光剂*，然后再用粗腊打亮。

*我们推荐使用以下2种抛光剂：
① Mequiars 镜面光亮28金属上光剂(进口)。
② 抛光膏(绿油)。