

KOHLER®

K-3674T 普灵斯 BRINX

单槽台上厨盆 SINGLE-BASIN SELF-RIMMING KITCHEN 切割图/安装说明书 CUT-OUT TEMPLATE / INSTALLATION INSTRUCTIONS

CUT ALONG THIS LINE
沿此线切割

RIM OF SINK
水槽边缘

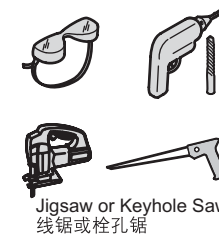
BEFORE YOU BEGIN

- WARNING: Risk of personal injury. Metal surfaces are sharp and can cause severe cuts. Use gloves and handle sink edges carefully.**
- Observe all local plumbing and building codes.
 - Shut off the hot and cold water supplies.
 - Prior to installation, unpack the new sink and inspect it for damage. Return the sink to its protective carton until you are ready to install it.
 - Inspect the drain and supply tubing. Replace if necessary.
 - All information in these instructions is based on the latest product information available at the time of publication. Kohler China reserves the right to make changes at any time without notice.

安装之前

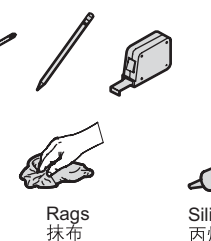
- 警告: 小心人身伤害。金属表面非常锋利, 可能导致严重的划伤。请使用手套, 并小心接触水槽边缘。**
- 遵循当地所有的管道和建筑规范。
 - 关闭冷水供应。
 - 在安装之前, 请打开新水槽的包装, 检查产品是否有损坏。将水槽放回其保护性的纸箱包装, 直到您准备安装。
 - 检查供水和排水管道。如果需要, 请更换管道。
 - 此手册中的所有资料按照出版时的最新产品资料编写。科勒公司保留在任何时候不需通知便可进行更改的权利。

TOOLS



Jigsaw or Keyhole Saw
线锯或栓孔锯

工具



Rags
抹布

Siliconized Acrylic Caulk
丙烯酸硅胶

以及
紧固件
Plus
Fasteners

IMPORTANT INFORMATION

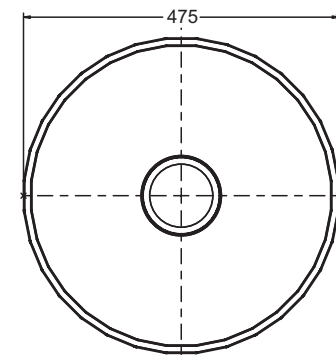
- WARNING: Risk of personal injury. Metal surfaces are sharp and can cause severe cuts. Use gloves and handle sink edges carefully.**
- IMPORTANT!** Your sink may appear different than the sink pictured throughout the installation steps.
- NOTE:** More specialized tools may be required to install the sink to countertop materials other than wood or wood composites.
- This sink is not intended for undercounter installation.
 - Allow the sealant to cure following the sealant manufacturer's instructions.
 - Observe all local plumbing and building codes.
 - All information in these instructions is based on the latest product information available at the time of publication. Kohler Co. reserves the right to make revisions in the design of products without notice, as specified in the Price Book.

重要信息

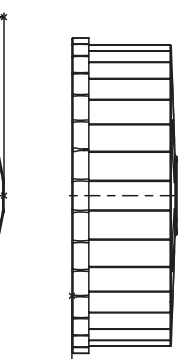
- 警告: 谨防个人身体伤害。金属表面非常锋利, 可能造成严重划伤。请使用手套, 小心地接触水槽边缘。**
- 注意!** 您的水槽也许会与整个安装步骤中提供的图片不一致。
- 注:** 也许需要更多的特殊工具才能将水槽安装至非木质或复合木质的工作台面。
- 本水槽不适合做台下式安装。
 - 请遵循密封胶制造商的说明使用密封胶。
 - 请遵循所有本地的水管设施和建筑规范。
 - 本说明书中的所有信息都是基于现有最新的产品信息而提供。正如价目表中所规定的那样, 科勒保留对产品的设计作出修改, 恕不另行通知。

ROUGHING-IN

Reference Value
参考值



尺寸图



单位: 毫米
Unit: mm

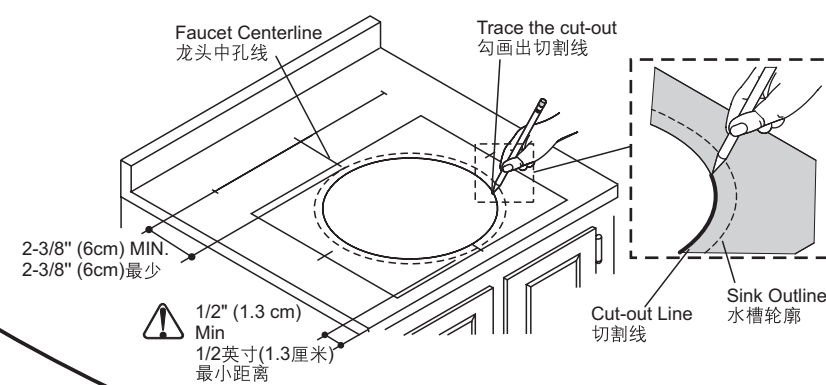
科勒公司保留随时变更图中标示尺寸的权利, 无需另行通知。
Kohler reserves the right to change marked dimensions without prior notice.

INSTALLATION

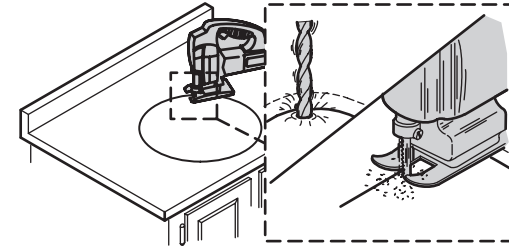
- Verify cabinet clearance.
- Cut along the self-rimming line. The front edge of the sink should be a minimum of 1/2" (1.3 cm) from the front edge of the counter. Locate the faucet hole center lines on the countertop. The faucet hole clearance from the top of the cutout must be 6cm minimum.

安装

- 核实安装柜空间。
- 沿着修边线进行切割。水槽的前沿应该距离台面前沿至少1/2英寸(1.3厘米)。在橱柜台面上找到龙头中孔线。龙头孔和切割模板顶部的距离至少需为6cm。

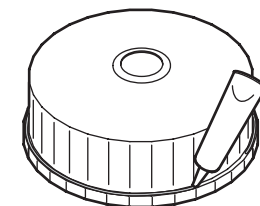


- Drill pilot hole and cut the countertop opening.
- 钻导向孔并切割工作台面开孔。

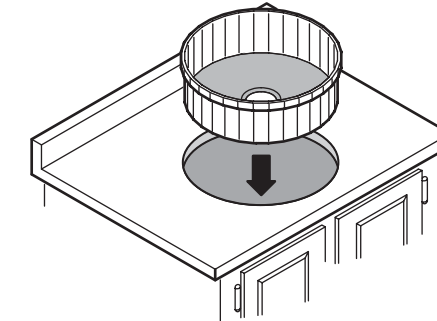


Choose the correct cutting tool for the countertop material!
请根据工作台的材质, 选择恰当的切割工具!

- Install the faucet and the strainer.
- 安装龙头和下水器。
- Apply sealant generously around the rim.
- 请沿着边缘涂密封胶。



- Verify fit. Adjust cutout if needed.
- 核实大小。如果有必要, 调整开孔大小。



- Insert the sink.
- 放入水槽。



- Make the drain connections.
- 连接排水管。
- Connect the supplies.
- 连接进水管。
- Run water into the sink and check for leaks.
- 打开水龙头, 检查是否有漏水现象。

CARE AND CLEANING

For best results, keep the following in mind when caring for your KOHLER product:

- Use a mild detergent such as liquid dishwashing soap and warm water for cleaning. Do not use abrasive cleaners that may scratch or dull the surface.
- Carefully read the cleaner product label to ensure the cleaner is safe for use on the material.
- Always test your cleaning solution on an inconspicuous area before applying to the entire surface.
- Do not allow cleaners to sit or soak on the surface.
- Wipe surfaces clean and rinse completely with water immediately after cleaner application. Rinse and dry any overspray that lands on nearby surfaces.
- Use a soft, dampened sponge or cloth. Never use an abrasive material such as a brush or scouring pad to clean surfaces.

保养和清洁

为了取得最佳的保养效果, 请您在保养科勒产品时铭记下列要点:

- 使用中性洗涤剂作为洗碗液, 并使用热水清洗。请勿使用可能造成表面划痕或变得晦暗的摩擦性清洁剂。
- 请仔细阅读清洁剂产品标签, 确保可以在本产品上安全使用该清洁剂。
- 请务必在不显眼的地方测试您的清洁剂, 然后再在整个表面使用该清洁剂。
- 请勿将清洁剂残留在或浸湿产品表面。
- 在使用清洁剂后请立即用擦净产品表面并用清水冲洗干净。若清洁剂碰到附近的表面, 请加以清洗并擦干。
- 请使用柔软的湿海绵或湿布。切勿使用摩擦性材料, 如刷子或擦洗片清洁表面。

For detailed cleaning information and products to consider, visit www.kohler.com/clean. To order Care & Cleaning information, call 1-800-456-4537 and press 1 for Kohler Products and then 3 for Literature.

欲了解更详细的清洁信息和产品信息, 请访问网站: visit www.kohler.com/clean. 如欲预定保养和清洁信息, 请致电: 1-800-456-4537, 然后按1, 获得科勒产品信息, 按3获得小册子信息。

1119905-T01-C

© 版权为科勒中国有限公司所有, 2014
© Copyright Kohler China Ltd., 2014