

### Features

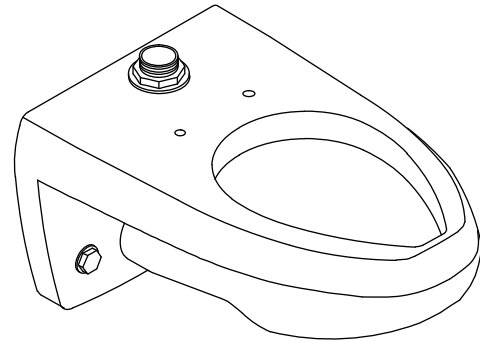
- Vitreous china
- Elongated bowl
- Siphon jet
- With bedpan lugs (-L)
- 1-1/2" top spud
- Wall-mount
- 1.6 gpf (6.0 lpf)
- 12-3/8" (314 mm) x 11-3/8" (289 mm) water area

### ELONGATED TOILET BOWL K-4330

ADA

CSA B651

OBC



### Codes/Standards Applicable

Specified model meets or exceeds the following:

- ADA
- ICC/ANSI A117.1
- CSA B651
- OBC
- ASME A112.19.2/CSA B45.1

### Colors/Finishes

- 0: White
- Other: Refer to Price Book for additional colors/finishes

### Accessories

- 0: White
- CP: Polished Chrome
- Other: Refer to Price Book for additional colors/finishes

### Specified Model

Model	Description	Colors/Finishes	
K-4330	Elongated toilet bowl	<input type="checkbox"/> 0	<input type="checkbox"/> Other_____
K-4330-L	Elongated toilet bowl - with bedpan lugs	<input type="checkbox"/> 0	<input type="checkbox"/> Other_____

Recommended Accessories				
K-4670-C	Lustra™ open front seat	<input type="checkbox"/> 0	<input type="checkbox"/> Other_____	
K-4670-CA	Lustra open front seat (with anti-microbial agent)	<input type="checkbox"/> 0		
K-10674	WAVE exposed toilet flushometer – 1.6 gpf (6.0 lpf)			<input type="checkbox"/> CP
K-10957	Touchless DC toilet flushometer – 1.6 gpf (6.0 lpf)			<input type="checkbox"/> CP
K-13516	Manual toilet flushometer – 1.6 gpf (6.0 lpf)			<input type="checkbox"/> CP

### Product Specification

The elongated toilet bowl shall be made of vitreous china. Bowl shall be wall-mount with a 1-1/2" top spud. Bowl shall have 12-3/8" (314 mm) by 11-3/8" (289 mm) water area. Bowl shall be 1.6 gpf (6.0 lpf). Bowl shall have optional bedpan lugs (-L). Bowl shall have siphon jet. Elongated toilet bowl shall be Kohler Model K-4330-\_\_\_\_\_ or K-4330-L-\_\_\_\_\_.

## Technical Information

Fixture*:	
Configuration	top spud, elongated
Water per flush	1.6 gpf (6.0 lpf)*
Spud size	1-1/2"
Passageway	2-1/4" (57 mm)
Water area	12-3/8" (314 mm) x 11-3/8" (289 mm)
Water depth from rim	5-1/4" (133 mm)
Seat post hole centers	5-1/2" (140 mm)
Minimum static pressure required	35 psi (241.3 kPa)
Maximum static pressure	80 psi (551.6 kPa)
Minimum flowing pressure required	25 psi (172.4 kPa)
Required supply minimum	25 gal/min (94.6 l/min)
* Based upon use of a 1.6 gal (6.0 L) flushometer.	

Included components:

Spud	18357
------	-------

## Installation Notes

Install this product according to the installation guide.

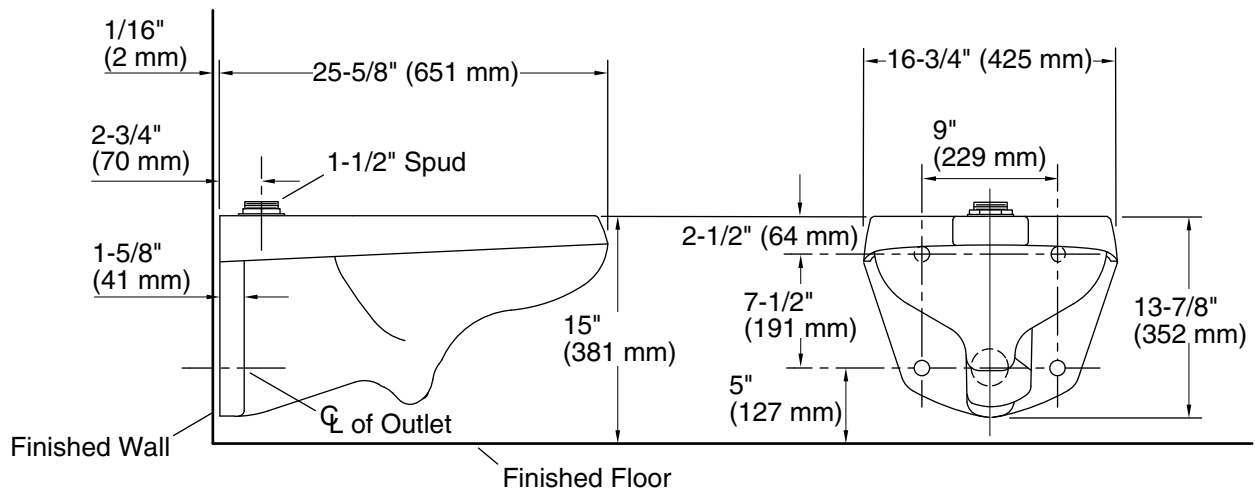
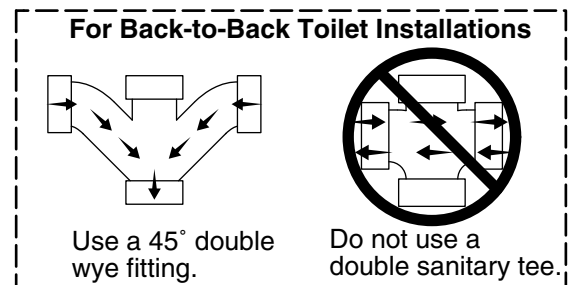
**For back-to-back toilet installations:** Use only a 45° double wye fitting.

Will comply with the Americans with Disabilities Act (**ADA**) when installed per the requirements of the 2010 ADA Standards for Accessible Design, Section 604 Water Closets, of the Act. The Model Plumbing Codes require the installation of elongated open-front toilet seats in public bathrooms.

Refer to manufacturer and local codes for flushometer requirements.

Will comply with **CSA B651** when installed per Clause 4.3.6 of the standard.

Will comply with **OBC** Barrier Free requirements when installed per Clause 3.8.3.8 and 3.8.3.9.



## Product Diagram