

### Features

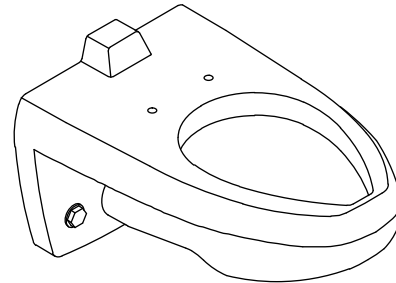
- Vitreous china
- Wall-mount
- With bedpan lugs (-L)
- 1-1/2" rear spud
- 12-3/8" (314 mm) x 11-3/8" (289 mm) water area
- ADA compliant when installed at required height of 17" (432 mm) - 19" (483 mm) from floor to top of seat
- 1.6 gpf (6 lpf)
- 25-5/8" (651 mm) x 16-3/4" (425 mm) x 13-1/4" (337 mm)

### BOWL K-4329

ADA

CSA B651

OBC



### Codes/Standards Applicable

Specified model meets or exceeds the following:

- ADA
- ICC/ANSI A117.1
- CSA B651
- OBC
- ASME A112.19.2/CSA B45.1

### Colors/Finishes

- 0: White
- Other: Refer to Price Book for additional colors/finishes

### Accessories

- 0: White
- Other: Refer to Price Book for additional colors/finishes

### Specified Model

Model	Description	Colors/Finishes	
K-4329	Elongated bowl toilet	<input type="checkbox"/> 0	<input type="checkbox"/> Other_____
K-4329-L	Elongated bowl toilet with bedpan lugs	<input type="checkbox"/> 0	<input type="checkbox"/> Other_____

Recommended Accessories			
K-4670-C	Lustra™ open front seat	<input type="checkbox"/> 0	<input type="checkbox"/> Other_____
K-4670-CA	Lustra open front seat with anti-microbial agent	<input type="checkbox"/> 0	

### Product Specification

The elongated bowl shall be made of vitreous china. Bowl shall be wall-mount with a 1-1/2" rear spud. Bowl shall have 12-3/8" (314 mm) by 11-3/8" (289 mm) water area. Bowl shall be 1.6 gpf (6 lpf). Bowl shall be ADA compliant when installed at required height of 17" (432 mm) - 19" (483 mm) from floor to top of seat. Bowl shall have bed pan lugs (-L). Bowl shall be 25-5/8" (651 mm) in length, 16-3/4" (425 mm) in width, and 13-1/4" (337 mm) in height. Bowl shall be Kohler Model K-4329-\_\_\_\_\_ or K-4329-L-\_\_\_\_\_.

## Technical Information

Fixture*:	
Configuration	Rear spud, elongated
Water per flush	1.6 gal (6 L)
Spud size	1-1/2"
Passageway	2-1/4" (57 mm)
Water area	12-3/8" (314 mm) x 11-3/8" (289 mm)
Water depth from rim	5-1/4" (133 mm)
Seat post hole centers	5-1/2" (140 mm)
Minimum static pressure required	35 psi (241.3 kPa)
Maximum static pressure	80 psi (551.6 kPa)
Minimum flowing pressure required	25 psi (172.4 kPa)
Required supply minimum	25 gal/min (94.6 l/min)
* Designed to flush with 1.6 gal (6 L) of water when installed with a 1.6 gpf (6 lpf) valve.	

Included components:

Spud	18357
------	-------

## Installation Notes

Install this product according to the installation guide.

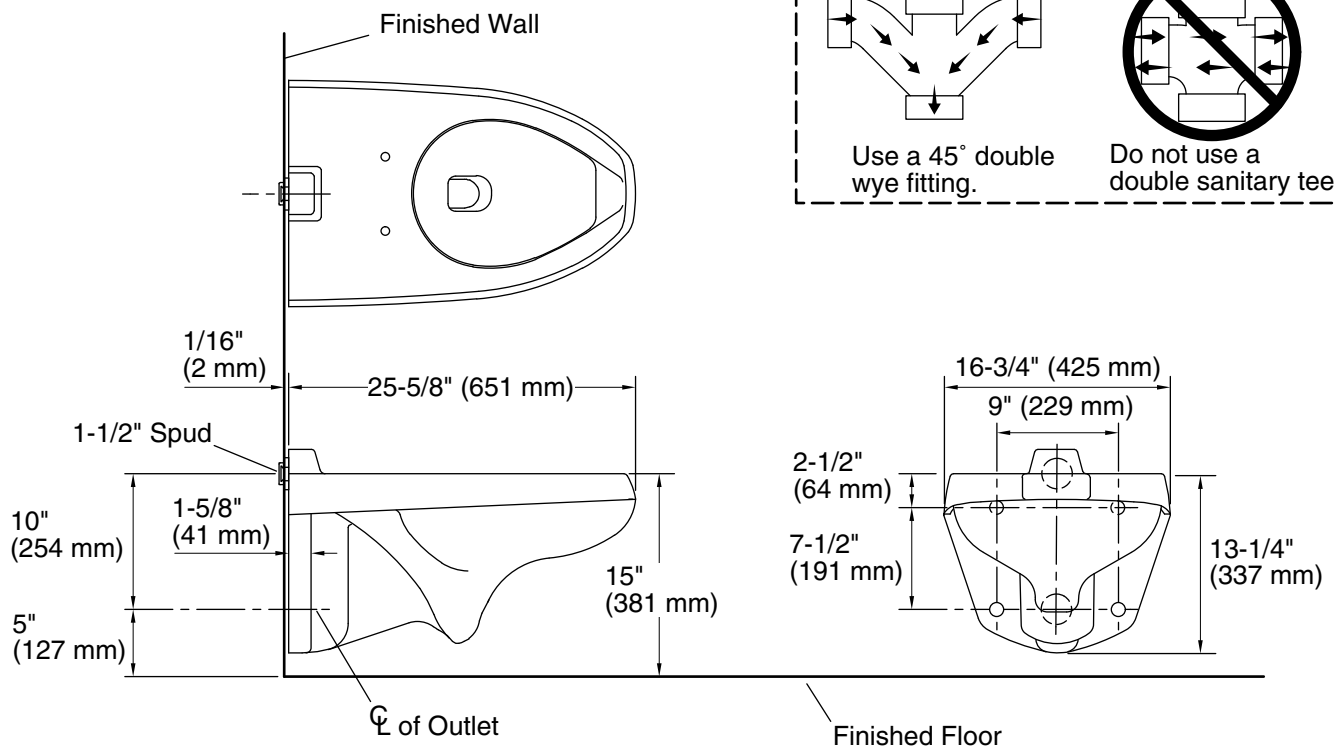
Refer to manufacturer and local codes for flush valve requirements.

**For back-to-back toilet installations:** Use only a 45° double wye fitting.

Will comply with the American Disabilities Act (**ADA**) when installed per the requirements of the Accessibility Guidelines, Section 604 Water Closets, of the Act. The Model Plumbing Codes require the installation of elongated open-front toilet seats in public bathrooms.

Will comply with **CSA B651** when installed per Clause 4.3.6 of the standard.

Will comply with **OBC** Barrier Free requirements when installed per Clause 3.8.3.8 and 3.8.3.9.



## Product Diagram