

BEFORE YOU BEGIN

These instructions contain important service information. Please leave instructions for the consumer.

PURPOSE

The Kohler deep rough-in kit enables Kohler 1/2" highflow deck mount hardware trim to be used on finished decks that are thicker than planned.

NOTES

- The standard Kohler highflow deck mount handle trim can be adjusted $\pm 1/4$ " for finished deck variation. This kit provides an additional 1/2" of adjustment beyond the +1/4" provided by the standard faucet.
- The standard spout supply tube is long enough for the extra 1/2" of finished deck thickness.

PRODUCT REQUIREMENTS

Use with 1/2" highflow deck mount bath valves.

INSTALLATION

Unthread and remove sleeve from each valve body. Discard sleeves.

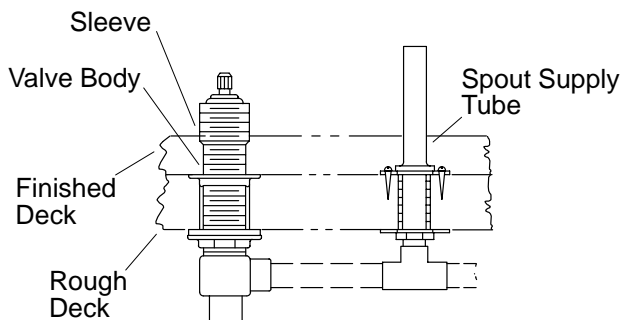


Fig. #1

Install threaded bonnet/stem extension from kit on each valve body, taking care that splines in stem extension and valve stem are properly engaged.

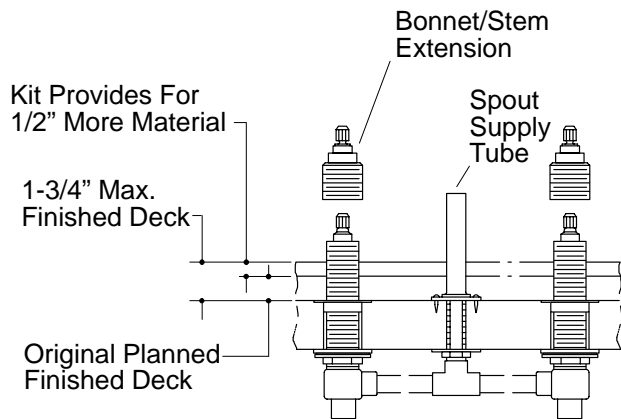


Fig. #2

Install handles and spout in accordance with applicable installation instructions.