



# Southaven®

25" top-mount single-bowl kitchen sink  
**11403-3**

### Features

- Three faucet holes
- 6-1/2" (165 mm) depth
- 3-5/8" (92 mm) drain opening
- Satin finish

### Material

- Premium 20-gauge stainless steel

### Installation

- Top-mount

### Recommended Products/Accessories

- K-23726 Drain treatment
- K-23729 Stainless steel cleaner

### Optional Products/Accessories

- 7400 Stainless Steel Sink Drain and Strainer

### Included Components

- 1279210 12 Count Installation Clips



**ADA**

### Codes/Standards

- ASME A112.19.3/CSA B45.4
- ADA
- ICC/ANSI A117.1

### STERLING® Stainless Steel Sinks Lifetime Limited Warranty

See website for detailed warranty information.

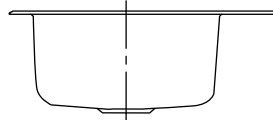
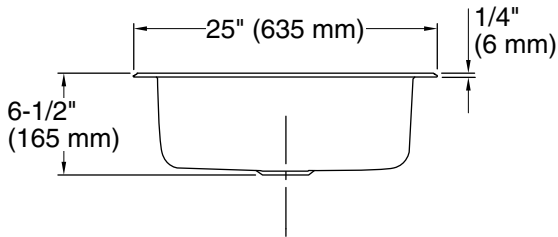
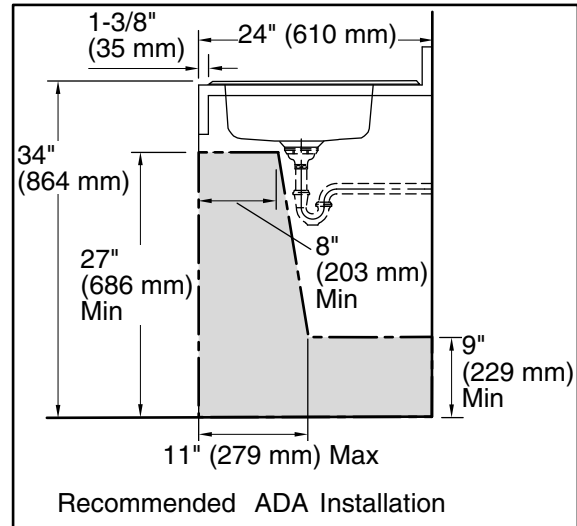
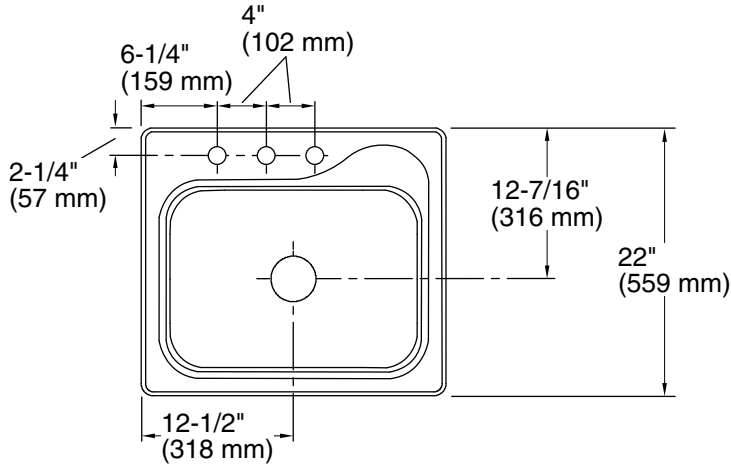
---

1-800-STERLING (1-800-783-7546)

Kohler Co. reserves the right to make revisions without notice to product specifications.

For the most current Specification Sheet, go to [www.sterlingplumbing.com](http://www.sterlingplumbing.com).

2-26-2026 20:26 - US/CA



**Technical Information**

All product dimensions are nominal.

- Basin configuration: Single Bowl
- Cutout: Top-mount, 24-1/2" x 21-1/2" (622 mm x 546 mm) with 3/4" (19 mm) radius corners
- Min. base cabinet width: 27" (686 mm)
- Bowl area (Only): Length: 21" (533 mm)  
Width: 15-1/4" (387 mm)  
Bowl depth: 6-1/2" (165 mm)  
Water depth: 6-1/2" (165 mm)
- Number of deck holes: 3
- Faucet hole(s): 1-7/16" (37 mm)
- Drain hole: 3-5/8" (92 mm)
- Template: 1032928-7, not required, not included

**Notes**

- Install this product according to the installation instructions.
- Measure your actual product for roughing-in details.
- ADA compliant when installed to the specific requirements of these regulations.