



**McAllister®**  
32" undermount double-bowl kitchen sink  
**11406**

**Features**

- No faucet holes; requires wall- or counter-mount faucet
- 8-1/16" (203 mm) depth
- 3-5/8" (92 mm) drain opening

**Material**

- Premium 20-gauge stainless steel with luster finish

**Installation**

- Undermount

**Recommended Products/Accessories**

- 7400 Stainless Steel Sink Drain and Strainer
- 11861 Sink Rack
- K-23726 Drain treatment
- K-23729 Stainless steel cleaner

**Included Components**

- 91915 Hardware Kit

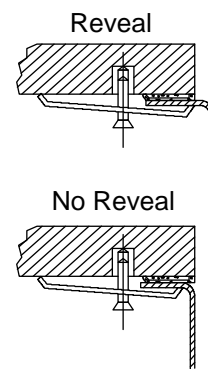
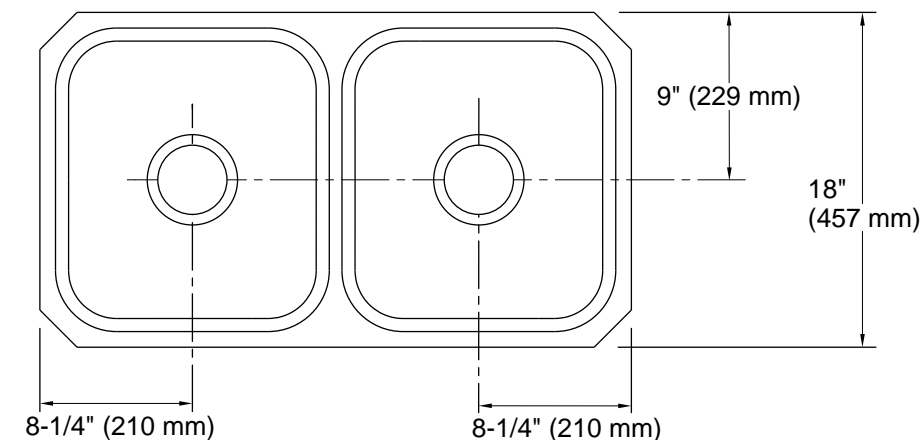


**Codes/Standards**

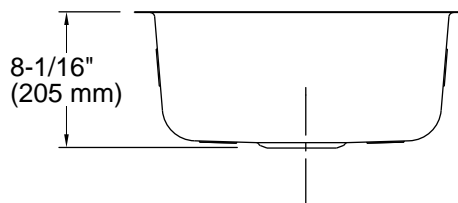
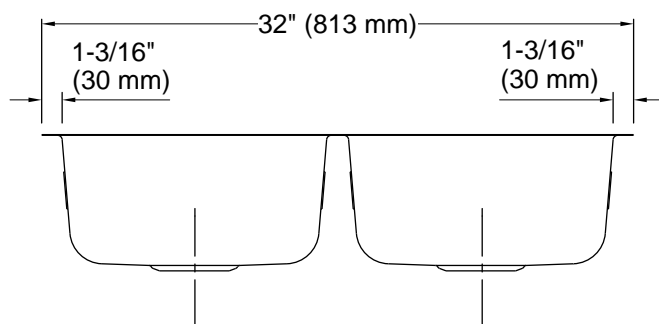
- ASME A112.19.3/CSA B45.4
- IAPMO Certification

**STERLING® Stainless Steel Sinks  
Lifetime Limited Warranty**

See website for detailed warranty information.



Mounting bracket assembly provides a secure installation.



### Technical Information

All product dimensions are nominal.

Basin configuration: Equal Bowls

Min. base cabinet width: 36" (914 mm)

Bowl area (Left): Length: 14-1/8" (359 mm)  
Width: 15-3/4" (400 mm)  
Bowl depth: 8-1/16" (205 mm)  
Water depth: 8-1/16" (205 mm)

Bowl area (Right): Length: 14-1/8" (359 mm)  
Width: 15-3/4" (400 mm)  
Bowl depth: 8-1/16" (205 mm)  
Water depth: 8-1/16" (205 mm)

Drain hole: 3-5/8" (92 mm)

Template: 1315846-7, required, included

### Notes

Install this product according to the installation instructions.

Measure your actual product for roughing-in details.

Use the supplied cut-out template to select either a hidden or exposed rim.

Minimum base cabinet width: 33"-36" (33" cabinet may require cabinet modifications). Consult an installer for confirmation before proceeding.