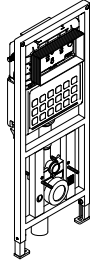


Installation and Care Guide

In-Wall Tank and Carriage

K-6284

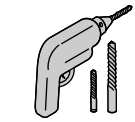


M product numbers are for Mexico (i.e. K-12345M)
Los números de productos seguidos de
M corresponden a México (Ej.
K-12345M)
Français, page "Français-1"
Español, página "Español-1"

THE BOLD LOOK
OF **KOHLER**®

1142998-2-D

Tools and Materials



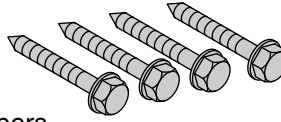
Assorted Drill Bits



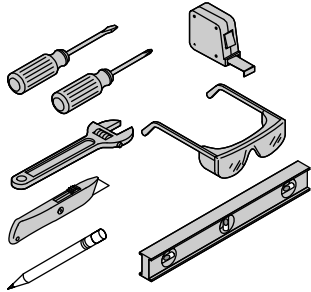
2" Hole Bit



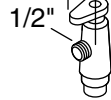
Silicone Plumbers Grease



1/4" x 2" (51 mm) Min Lag Bolts



5/8" (16 mm)



1/4 turn, 1/2" NPT Supply Shut-off with 5/8" or Shorter Handle

Plus:

- Conventional woodworking tools and materials
- Cement board, 24" (610 mm) x 24" (610 mm) min

Optional:

- Assorted electrical tools

Before You Begin

IMPORTANT! 2x6 framing is required for this product. 2x4 framing will not be deep enough to accommodate the carriage assembly.

IMPORTANT! In areas with freezing temperatures, install on an interior wall. If installed on an exterior wall, provide adequate insulation to prevent the possibility of freezing.

NOTE: This device is not intended to be used as a retrofit device for 1.28 gpf (4.8 lpf) water closets.

NOTE: Performance may vary. This product was not tested with toilets not listed as compatible.

- Only bowl numbers K-6299 and K-6300 are compatible with the carriage.
- During installation, make sure the inlet tube connections and gaskets remain fully engaged to ensure a watertight seal.
- Carefully inspect the carriage and tank for damage.
- Observe all local plumbing and building codes.

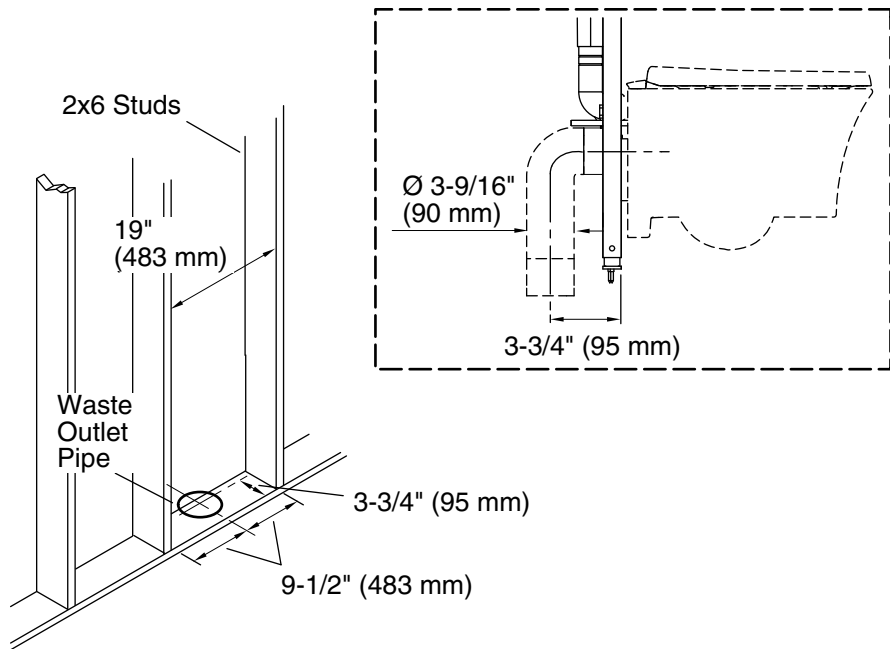
For Installations with a Bidet Seat



CAUTION: Risk of personal injury. If the optional electrical outlet will be installed, it must be connected to a GFCI or RCD protected circuit.

Before You Begin (cont.)

- If the optional electrical outlet will be installed, observe all local electrical codes.



1. Install the Framing

IMPORTANT! This installation requires 2x6 studs. Note the center-to-center stud dimension is not standard.

IMPORTANT! Note the 3-3/4" (95 mm) dimension from the front edge of the framing to the center of the outlet pipe. This dimension is critical for the installation.

NOTE: Refer to the specification sheet for more details and dimensions for roughing-in.

NOTE: The waste outlet pipe may need to be relocated for this installation.

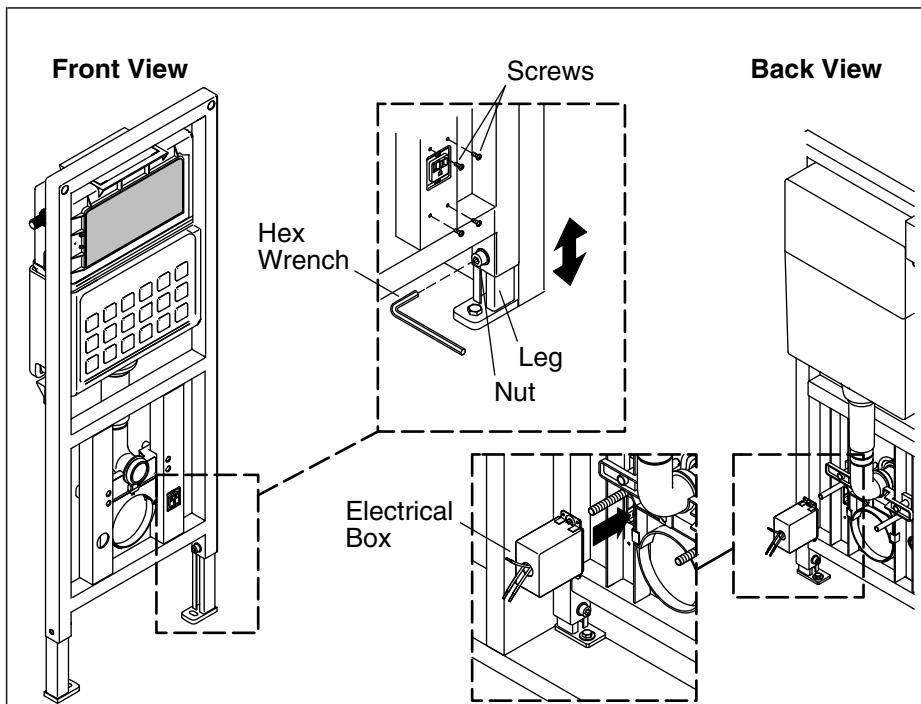
NOTE: A PVC elbow is supplied with this product. A cast iron elbow may be required by codes in some areas. The height of the toilet drain pipe may need to be adjusted if the cast iron elbow is used.

NOTE: Double studs must be used on either side of the stud pocket.

□ Construct the stud pocket using the dimensions shown.

Install the Framing (cont.)

- The center of the waste outlet should be 3-3/4" (95 mm) from the front edge of the framing.



2. Prepare the Carriage

Raise the Carriage

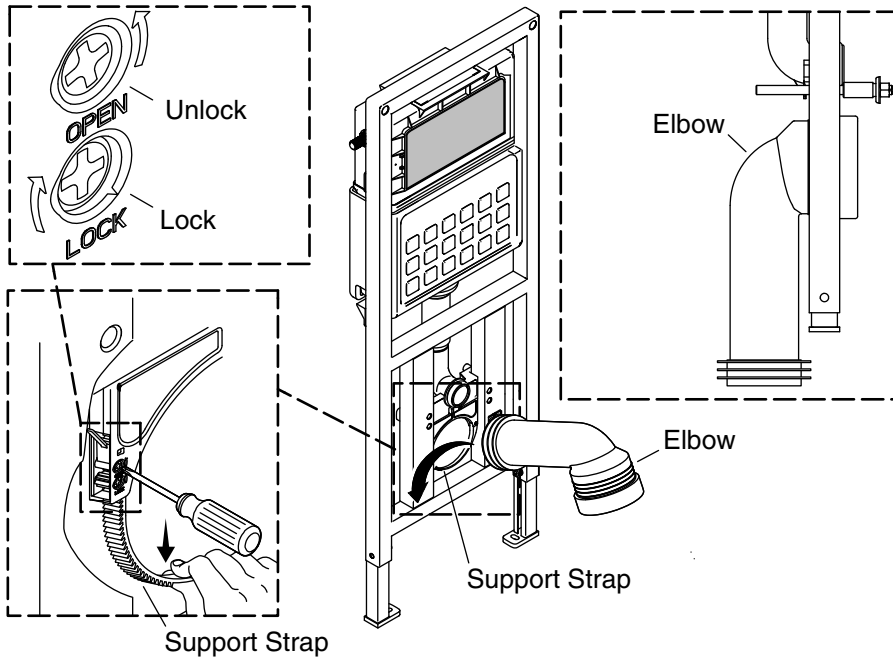
NOTE: Raise the carriage for ease of installation. It will be lowered again in a later step.

- Position the carriage face down on the floor.
- Loosen the nuts securing the legs to the carriage using the supplied hex wrench.
- Raise the carriage 8" (203 mm) - 10" (254 mm) high, enough to allow room for a wrench and lag bolts over the feet.
- Tighten the nuts securing the legs to the carriage.

Install the Electrical Box - Bidet Installations

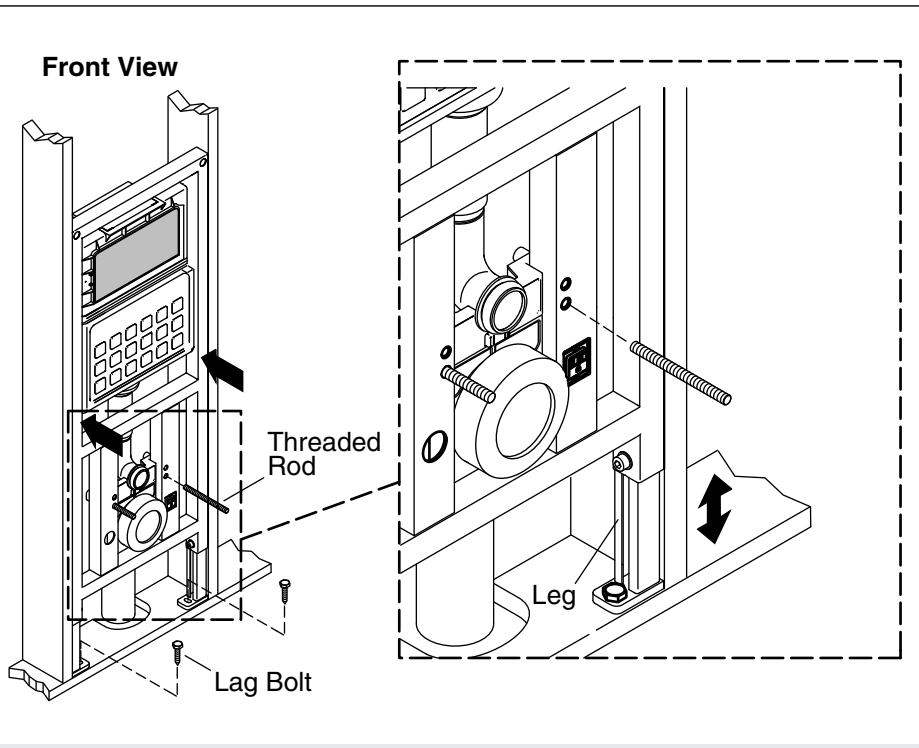
NOTE: The electrical box is required when the K-4744 bidet seat will be paired with the bowl. Skip this step for standard installations.

- Connect the electrical box to the carriage at the location shown.



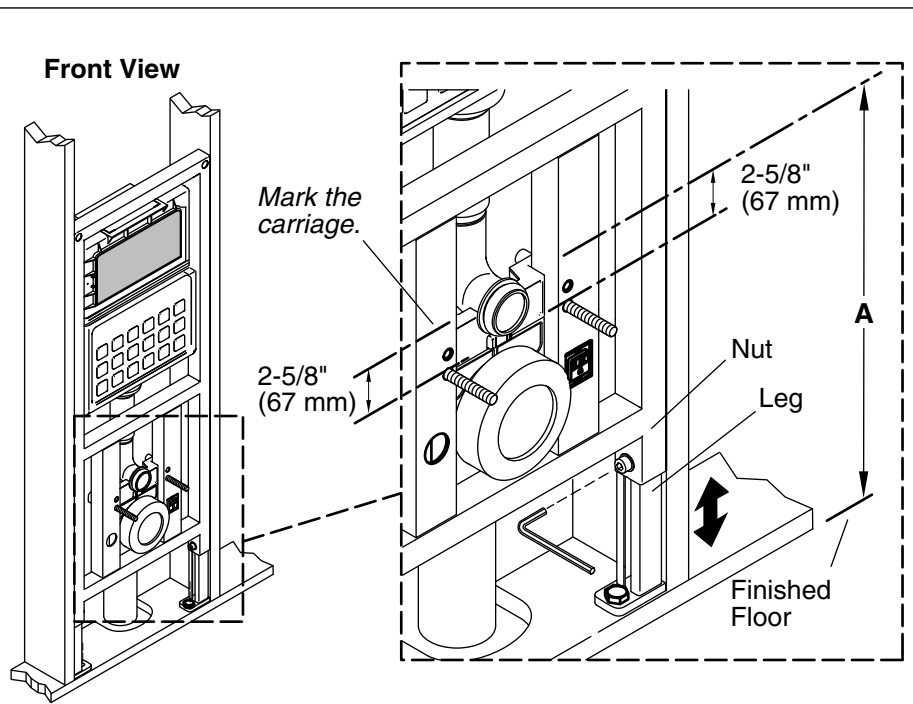
3. Position the Elbow

- Position the carriage upright in a secure position.
- **Gently** turn the upper screw (labeled "Open") counterclockwise while applying slight downward pressure on the support strap until the strap comes free of the locking mechanism.
- Move the end of the elbow into place from the front of the carriage. Rotate the elbow downward as it moves through the carriage.
- With the flared end of the waste pipe against the support strap, insert the support strap upward into the locking mechanism as far as possible.
- **Gently** turn the lower locking screw (labeled "Lock") clockwise until you hear a click to secure the waste pipe.



4. Install the Carriage

- Move the carriage into place in the stud pocket.
- Temporarily secure the carriage in place so it will not fall.
- Align the carriage flush with the front edge of the studs. The front of the carriage should be flush with the front edge of the studs or set back slightly for finished wall installation.
- Check the front of the carriage for plumb.
- Mark the hole location for each foot.
- Drill a pilot hole (remove the carriage if needed) to reduce the risk of the lag bolt causing the stud to split or crack.
- Secure the feet of the carriage to the studs using 2" (51 mm) (minimum) lag bolts (not supplied).
- Install the threaded rods several turns into the carriage.



5. Adjust the Carriage Height

IMPORTANT! If the carriage is not correctly adjusted, the bowl rim height may not be compliant with applicable codes. The finished wall would need to be removed to make the correct adjustments if the bowl height is not correct.

NOTE: For the **K-6299** and **K-6300** bowls, the minimum rim height is 15-5/8" (391 mm) when the finished floor is even with the bottom of the carriage legs. The maximum rim height is 26" (660 mm) when the legs are fully raised. The carriage can be adjusted up to 12" (305 mm), with 6" (152 mm) or less of adjustment sufficient in most installations.

- Make a mark 2-5/8" (67 mm) above the top of the threaded rod.
- Measure from the top of the finished floor to the mark (A) to determine the rim height of the bowl.
- Loosen the nuts securing the legs to the carriage.

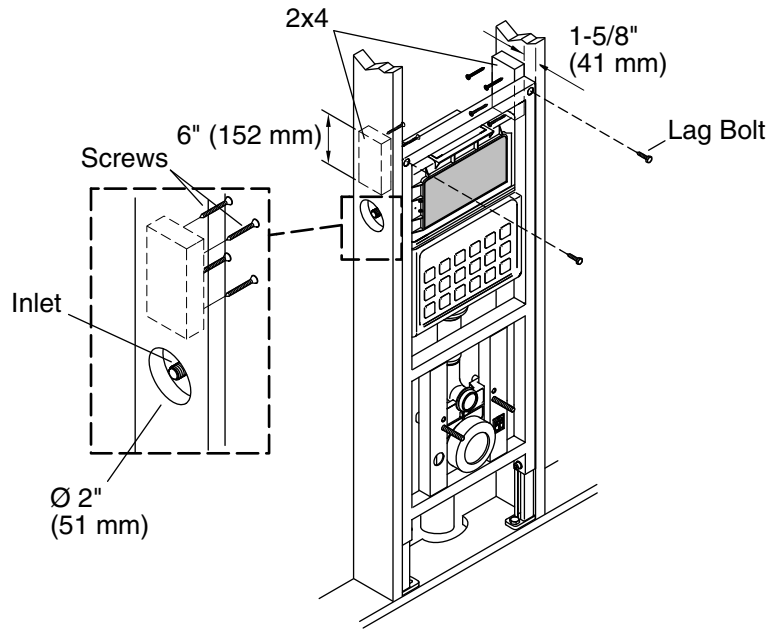
As the carriage is lowered, make sure the elbow aligns with the toilet drain pipe.

Adjust the Carriage Height (cont.)

If applicable, confirm the gasket on the elbow stays correctly positioned as it enters the toilet drain pipe.

- Adjust the carriage until the desired height is reached. Securely tighten the nuts using the provided hex wrench to secure the legs in place.

If a cast iron elbow is required, make the connections following all applicable codes.



6. Secure the Top of the Carriage

- Drill pilot holes at the lag bolt locations.
- Install two 6" (152 mm) long support 2x4's, located at the top of the carriage, aligned with the mounting holes, 1-5/8" (41 mm) in from the front edge of the studs.
- Secure the carriage to the support studs using 2" (51 mm) long (minimum) lag bolts (not supplied), one on each side.
- At the location of the inlet, drill a 2" (51 mm) hole.

Connect the Power - Bidet Seat Installations



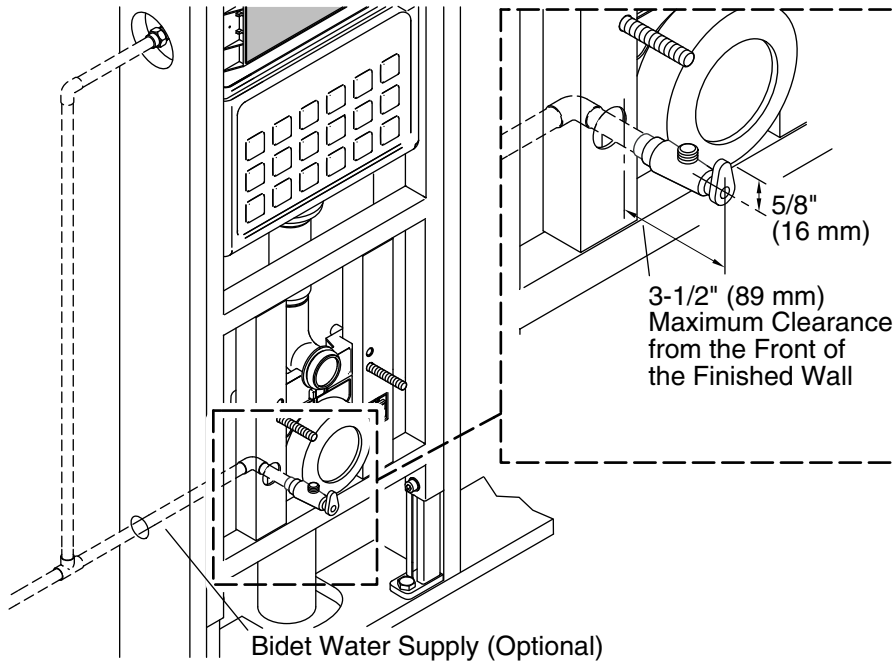
WARNING: Risk of personal injury. Disconnect the power before connecting the wires.



CAUTION: Risk of personal injury. The electrical outlet must be connected to a GFCI or RCD protected circuit or an accessible Ground-Fault Circuit-Interrupter (GFCI) or Residual-Current Device (RCD) must be installed.

NOTE: This step is only needed if the electrical box was installed in the "Prepare the Carriage" section.

- Connect the power following all applicable codes.



7. Install the Water Supply

All Installations

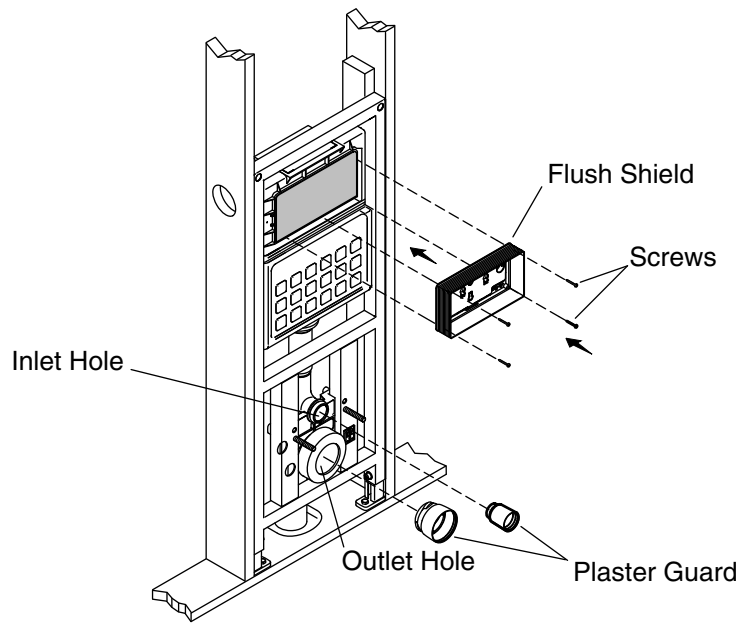
IMPORTANT! Optional bidet water supply for the **K-6300 Bowl** is shown. Do not install a second water supply unless a hidden bidet seat will be installed.

- Install the water supply pipes, following all local codes.
- Connect the waste pipe following all applicable local codes.

Installations With a Bidet Seat

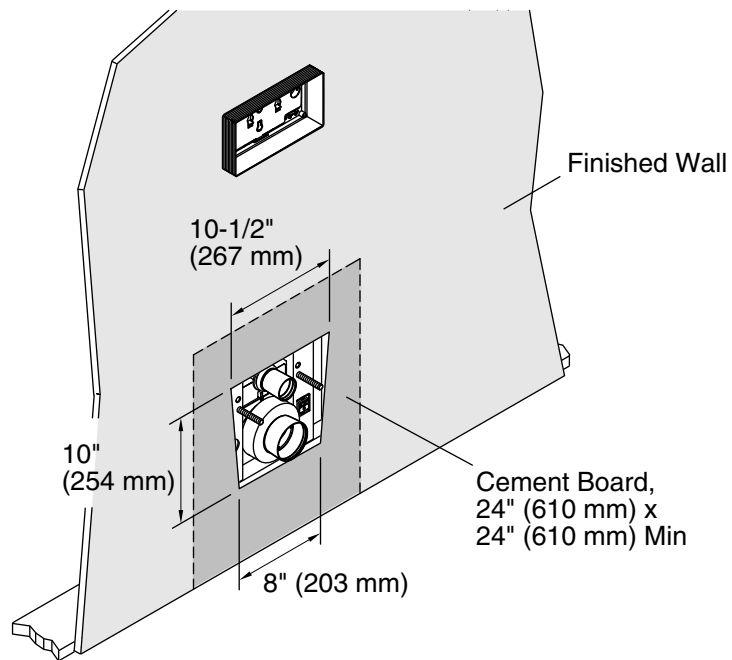
- **Optional:** Install the bidet water supply and a quarter turn, 1/2" NPT supply shut-off.

IMPORTANT! The bidet supply shut-off must extend 3" (76 mm) minimum to 4" (102 mm) maximum from the finished wall to allow access to the handle. The supply shut-off handle should be no higher than 5/8" (16 mm) from the center of the water supply.



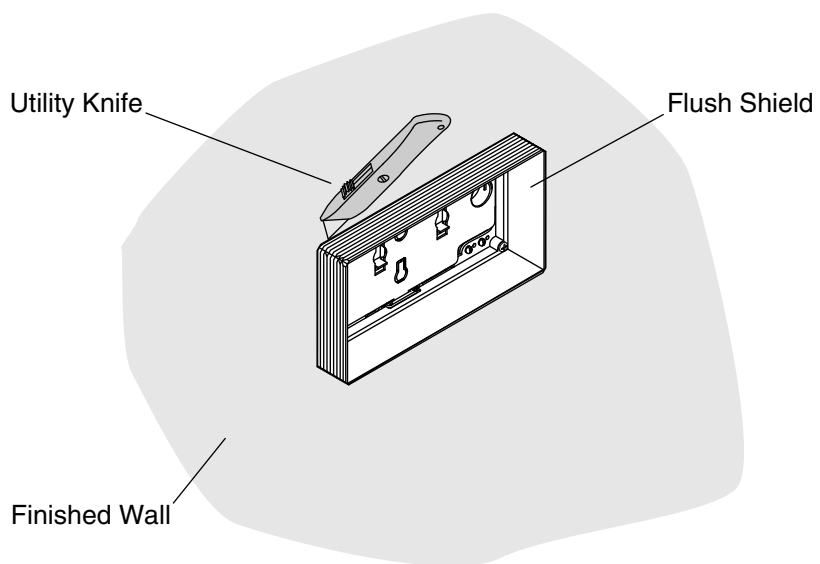
8. Install the Plaster Guards

- Insert a plaster guard into the inlet hole in the carriage.
- Install a plaster guard into the outlet hole in the carriage.
- Install the flush shield in the flush valve opening using the four supplied screws.
- If it is not already installed, install the flat panel in the flush valve opening.



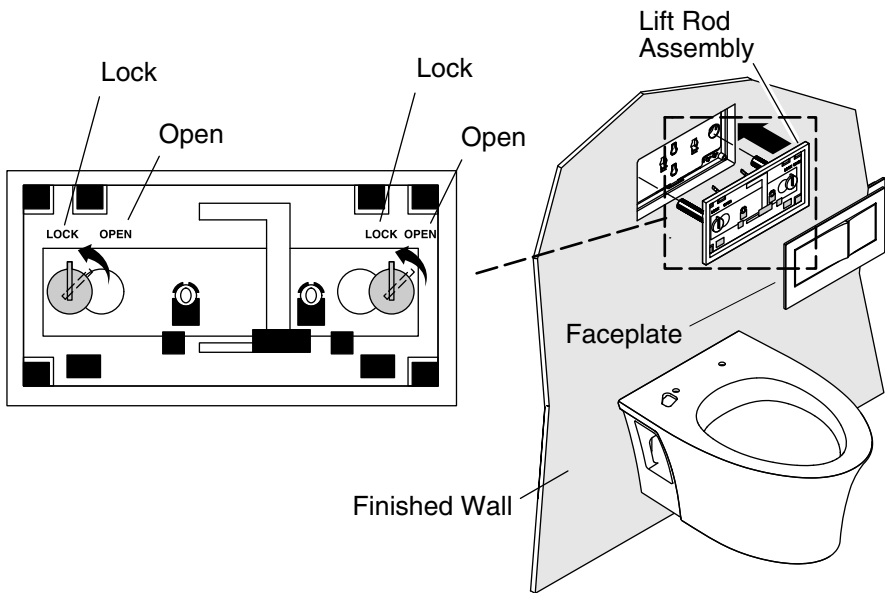
9. Install the Finished Wall

- Install a minimum 24" (610 mm) by 24" (610 mm) piece of cement board with a 10-1/2" (267 mm) by 10" (254 mm) hole, installed directly behind the bowl and centered over the waste outlet opening.
- Install the finished wall.



10. Trim the Flush Shield

- Use a utility knife to carefully trim the flush shield even with the finished wall.



11. Install the Faceplate

- Turn the locking tabs to the "Open" position.
- Align the lift rod assembly with the valve openings and install it.
- Turn the locking tabs to the "Lock" position.
- Position the faceplate over the lift rod assembly and press into place.

Care and Cleaning



WARNING: Risk of property or product damage. Do not use in-tank cleaners in your toilet. Products containing chlorine (calcium hypochlorite) can seriously damage fittings in the tank. This damage can cause leakage and property damage.

Kohler Co. shall not be responsible or liable for any tank fitting damage caused by the use of cleaners containing chlorine (calcium hypochlorite).

For best results, keep the following in mind when caring for your KOHLER product:

Care and Cleaning (cont.)

- Always test your cleaning solution on an inconspicuous area before applying to the entire surface.
- Wipe surfaces clean and rinse completely with water immediately after applying cleaner. Rinse and dry any overspray that lands on nearby surfaces.
- Do not allow cleaners to soak on surfaces.
- Use a soft, dampened sponge or cloth. Never use an abrasive material such as a brush or scouring pad to clean surfaces.
- **For Artist Edition Toilets:** Treat your decorative product just as you would treat your fine china. DO NOT use bristle brushes or abrasive-backed sponges. They will scratch decorative surfaces. Use only warm water to clean. Dry with a cotton cloth or soft sponge.

For detailed cleaning information and products to consider, visit www.kohler.com/clean. To order Care & Cleaning information, call 1-800-456-4537.

Troubleshooting

For service parts information, visit www.kohler.com/serviceparts.

Symptoms	Cause	Recommended Action
1. Poor flush.	A. Water level is too low.	A. The water line should be about 8" (203 mm) above the bottom of the tank. Raise the water level in the tank to the marked waterline by turning the white knob clockwise until the water level reaches the waterline marked in the tank.
	B. Improper waste line venting.	B. Install venting to code.

Troubleshooting (cont.)		
Symptoms	Cause	Recommended Action
2. Running fill valve.	A. Water level is too high.	A. Lower the water level in the tank by turning the knob at the top of the threaded rod counterclockwise until the fill valve shuts off when the water level reaches the marked waterline in the tank.
	B. Flush valve gasket or flush valve are damaged.	B. Replace gasket or flush valve as necessary.
	C. Flush valve is sticking open.	C. Check flush valve and actuating mechanisms for free movement. Push button actuators should raise levers then spring back without force. Replace components as necessary.
3. Leaks from behind the bowl.	A. Gaskets not positioned correctly.	A. Remove the bowl and inspect all the gaskets. Reposition the gaskets if needed. Lubricate the gaskets so they slide in or over the mating part they seal. Reinstall the bowl, making sure the gaskets stay in the correct positions.
4. Carriage and bowl flex when used.	A. Insufficient support for frame.	A. Add additional support members, and mount the frame with 1/4" or larger lag screws.
5. No water flow.	A. Supply stop located in tank is closed.	A. Open the supply stop (located on the left side).

Troubleshooting (cont.)		
Symptoms	Cause	Recommended Action
	B. There is an obstruction in the water line.	B. Close the external supply stop, disconnect the braided hose where it attaches to the fill valve. Turn on the water supply and check the flow through the hose. Continue to investigate water path for obstructions. Clear any blockages.

Warranty

ONE-YEAR LIMITED WARRANTY

KOHLER plumbing products are warranted to be free of defects in material and workmanship for one year from date of installation.

Kohler Co. will, at its election, repair, replace or make appropriate adjustment where Kohler Co. inspection discloses any such defects occurring in normal usage within one (1) year after installation. Kohler Co. is not responsible for removal or installation costs. **Use of in-tank toilet cleaners will void the warranty.**

To obtain warranty service contact Kohler Co. either through your Dealer, Plumbing Contractor, Home Center or E-tailer, or by writing Kohler Co., Attn.: Customer Care Center, 444 Highland Drive, Kohler, WI 53044, USA, or by calling 1-800-4-KOHLER (1-800-456-4537) from within the USA and Canada, and 001-800-456-4537 from within Mexico, or visit www.kohler.com within the USA, www.ca.kohler.com from within Canada, or www.mx.kohler.com in Mexico.

IMPLIED WARRANTIES INCLUDING THAT OF MERCHANTABILITY AND FITNESS FOR A PARTICULAR PURPOSE ARE EXPRESSLY LIMITED IN DURATION TO THE DURATION OF THIS WARRANTY. KOHLER CO. AND/OR SELLER DISCLAIM ANY LIABILITY FOR SPECIAL, INCIDENTAL OR CONSEQUENTIAL DAMAGES. Some states/provinces do not allow limitations on how long an implied warranty lasts, or the exclusion or limitation of special, incidental or consequential damages, so these limitations and exclusions may not apply to you. This warranty gives you specific legal rights. You may also have other rights which vary from state/province to state/province.

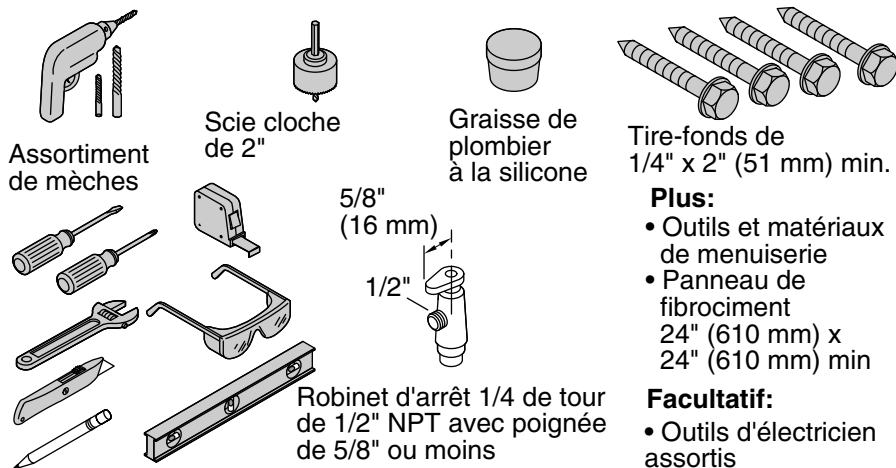
Warranty (cont.)

This is Kohler Co.'s exclusive written warranty.

Guide d'installation et d'entretien

Bâti-support et réservoir encastrés

Outils et matériaux



Avant de commencer

IMPORTANT! Une ossature de 2x6 est requise pour ce produit. Une ossature de 2x4 n'est pas assez profonde pour accueillir le bâti-support.

IMPORTANT! Dans les régions sujettes au gel, effectuer l'installation sur une cloison intérieure. Pour les installations sur un mur extérieur, prévoir une isolation suffisante pour écarter tout risque de gel.

REMARQUE: Cet appareil n'est pas destiné à être utilisé en tant que remplacement de toilettes de 1,28 gpc (4,8 lpc).

REMARQUE: Les résultats peuvent varier. Ce produit n'a pas été testé avec des toilettes ne figurant pas sur la liste des modèles compatibles.

- Seules les cuvettes K-6299 et K-6300 sont compatibles avec le bâti-support.

Avant de commencer (cont.)

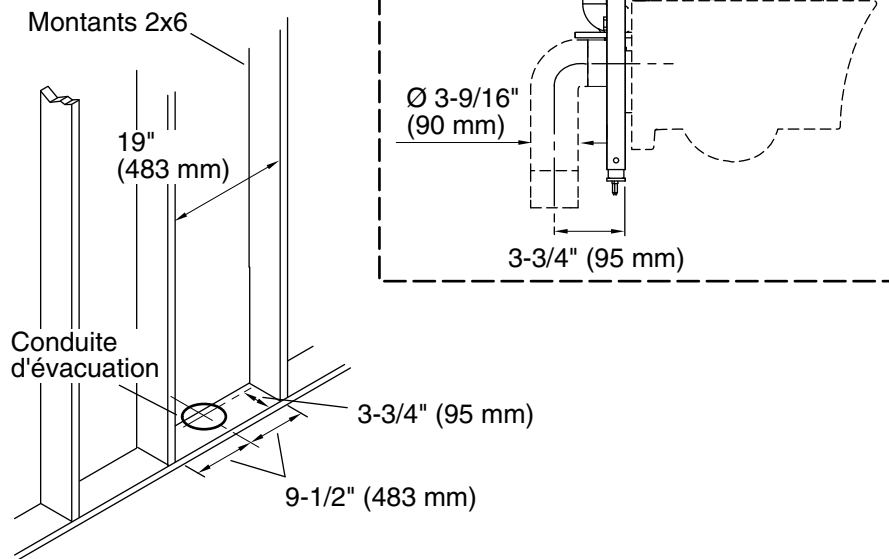
- Durant l'installation, s'assurer que les raccordements et les joints du tube d'arrivée restent complètement engagés afin préserver leur étanchéité.
- Contrôler soigneusement l'état du bâti-support et du réservoir.
- Respecter tous les codes de plomberie et de bâtiment locaux.

Pour les installations avec un siège-bidet



ATTENTION: Risque de blessures. Si la prise électrique en option doit être installée, elle doit être raccordée à un circuit protégé par un disjoncteur de type GFCI ou RCD.

- Si la prise électrique en option doit être installée, respecter tous les codes électriques locaux.



1. Monter l'ossature

IMPORTANT! Cette installation nécessite des montants de 2x6. Noter que l'espacement des montants n'est pas standard.

IMPORTANT! Noter la dimension de 3-3/4" (95 mm) entre le bord avant de l'ossature et le centre du tuyau d'évacuation. Cette dimension est d'une importance essentielle pour l'installation.

REMARQUE: Voir les détails et les dimensions de raccordement dans la fiche technique.

REMARQUE: Il peut être nécessaire de déplacer la canalisation d'évacuation pour cette installation.

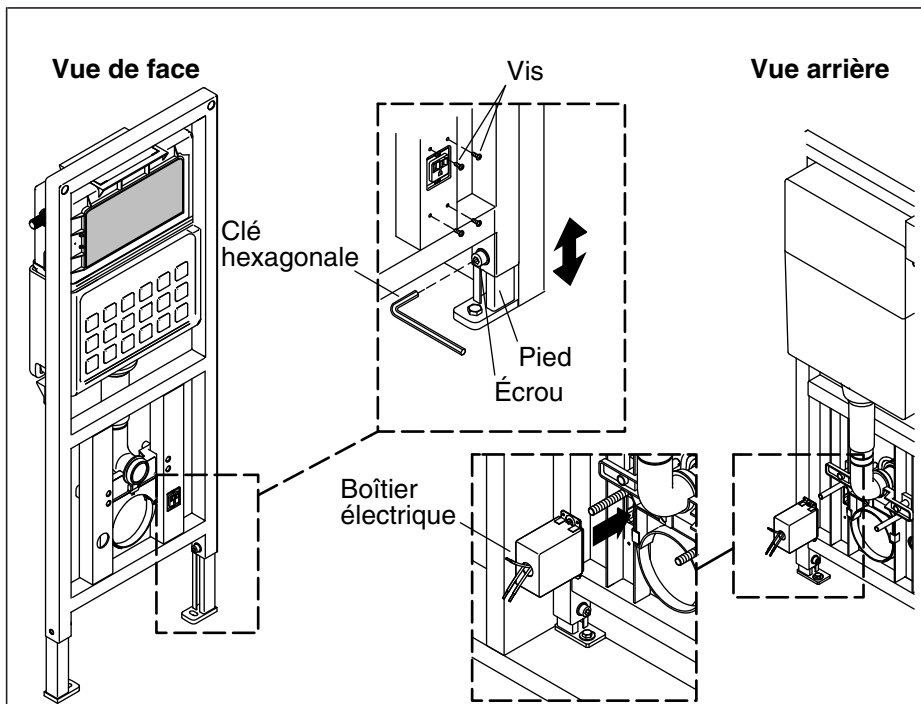
REMARQUE: Un coude en PVC est fourni avec ce produit. Dans certains endroits, la réglementation peut exiger un coude en fonte. Il peut être nécessaire d'ajuster la hauteur du tuyau d'écoulement du W.C. si le coude en fonte est utilisé.

REMARQUE: Des montants doubles doivent être utilisés sur n'importe quel côté du cadre porteur.

□ Construire le cadre porteur en utilisant les dimensions indiquées.

Monter l'ossature (cont.)

- Le centre de la conduite d'évacuation doit être à exactement 3-3/4" (95 mm) du bord avant de l'ossature.



2. Préparer le bâti-support

Relever le bâti-support

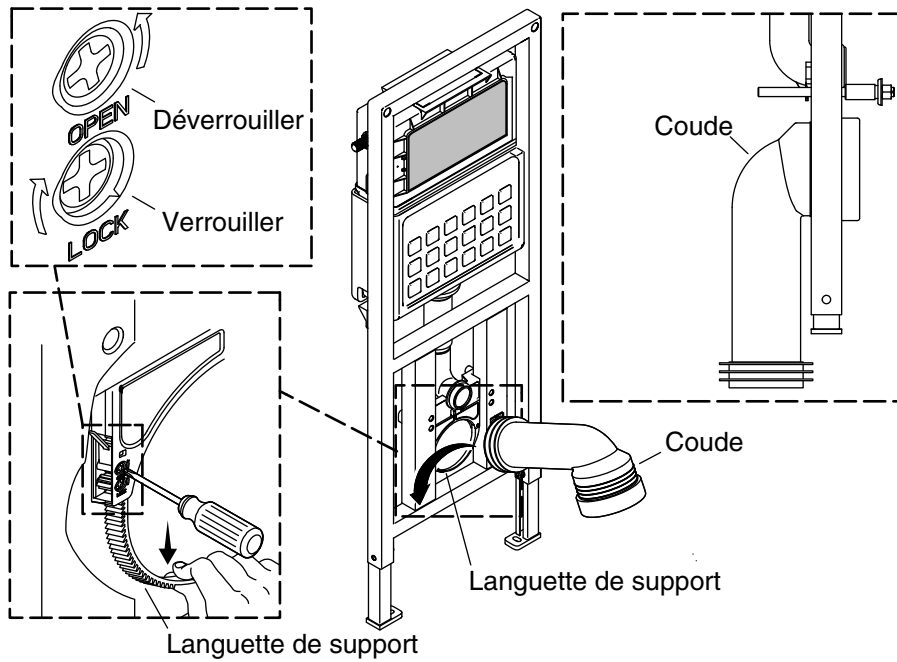
REMARQUE: Relever le bâti-support pour faciliter l'installation. Il sera rabaissé plus tard durant l'installation.

- Placer le bâti-support face vers le bas sur le plancher.
- Desserrer les écrous de fixation des pieds du bâti à l'aide de la clé hexagonale fournie.
- Relever le bâti-support de 8" à 10" (203 à 254 mm) en hauteur pour pouvoir placer les tire-fonds et une clé sur les pieds.
- Serrer les écrous de blocage des pieds dans le bâti.

Installer le boîtier électrique - Installations avec bidet

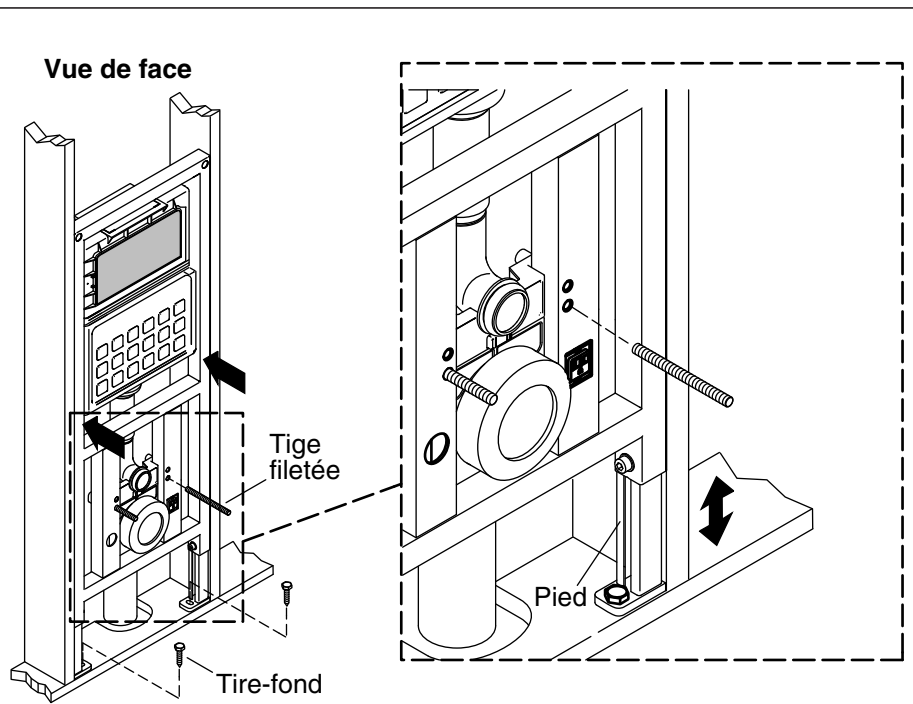
REMARQUE: Le boîtier électrique est nécessaire si le siège-bidet K-4744 doit être utilisé avec la cuvette. Ignorer cette étape lors d'une installation standard.

- Raccorder le boîtier électrique au bâti-support à l'emplacement indiqué.



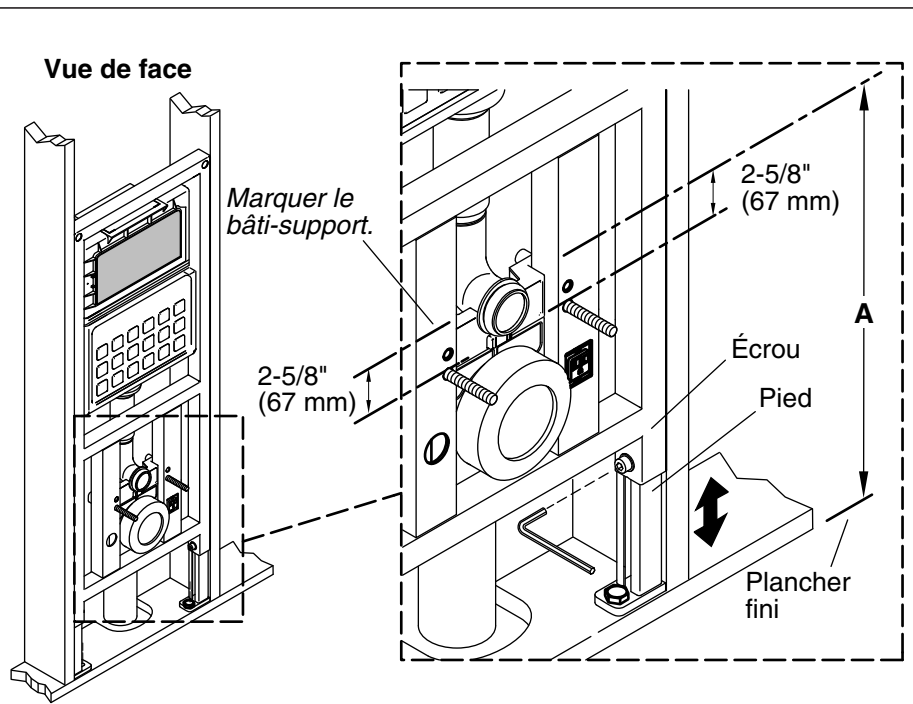
3. Mettre le coude en place

- Placer le bâti-support à la verticale dans une position sûre.
- **Avec précaution**, tourner la vis supérieure (marquée "Open") dans le sens contraire des aiguilles d'une montre tout en appliquant une légère pression vers le bas sur la languette de support jusqu'à ce qu'elle se dégage du mécanisme de verrouillage.
- Mettre l'extrémité du coude en place depuis l'avant du bâti-support. Pivoter le coude vers le bas alors qu'il s'enfonce dans le bâti-support.
- Le côté évasé de la pipe d'évacuation étant contre la languette de support, engager la languette de support par le dessous le plus loin possible dans le mécanisme de verrouillage.
- Tourner **avec précaution** la vis de verrouillage inférieure (marquée "Lock") dans le sens des aiguilles d'une montre jusqu'à l'émission d'un clic pour fixer le tuyau d'évacuation en place.



4. Installer le bâti-support

- Mettre le bâti-support en place dans le cadre porteur.
- Fixer le bâti-support provisoirement pour l'empêcher de tomber.
- Placer le bâti-support au ras du bord avant des montants d'ossature. L'avant du bâti-support doit être au ras du bord avant des montants ou légèrement en retrait pour la pose de la finition murale.
- Vérifier que l'avant du bâti-support est d'aplomb.
- Marquer l'emplacement du trou pour chaque pied.
- Percer un avant-trou (retirer le bâti-support au besoin) afin de réduire le risque que le tire-fond fende ou fissure le montant.
- Fixer les pieds du bâti-support aux montants à l'aide de tire-fonds de 2" (51 mm) (non fournis).
- Visser les tiges filetées de plusieurs tours dans le bâti-support.



5. Ajuster la hauteur du bâti-support

IMPORTANT! Si le bâti-support n'est pas correctement ajusté, la hauteur du rebord de cuvette peut ne pas être conforme aux codes en vigueur. La finition murale doit être enlevée pour effectuer les ajustements si la hauteur de la cuvette n'est pas correcte.

REMARQUE: Pour les cuvettes K-6299 et K-6300, la hauteur minimale du rebord est de 15-5/8" (391 mm) lorsque le sol fini est au niveau du dessous des pieds du bâti-support. La hauteur maximale du rebord est de 26" (660 mm) lorsque les pieds sont complètement déployés. Le bâti-support peut être ajusté sur une hauteur totale de 12" (305 mm), mais un ajustement de 6" (152 mm) ou moins suffit dans la majorité des cas.

- Tracer un repère à 2-5/8" (67 mm) au-dessus du haut de la tige filetée.
- Mesurer la distance (A) entre le dessus du sol fini et le repère pour déterminer la hauteur du rebord de cuvette.
- Desserrer les écrous de blocage des pieds dans le bâti.

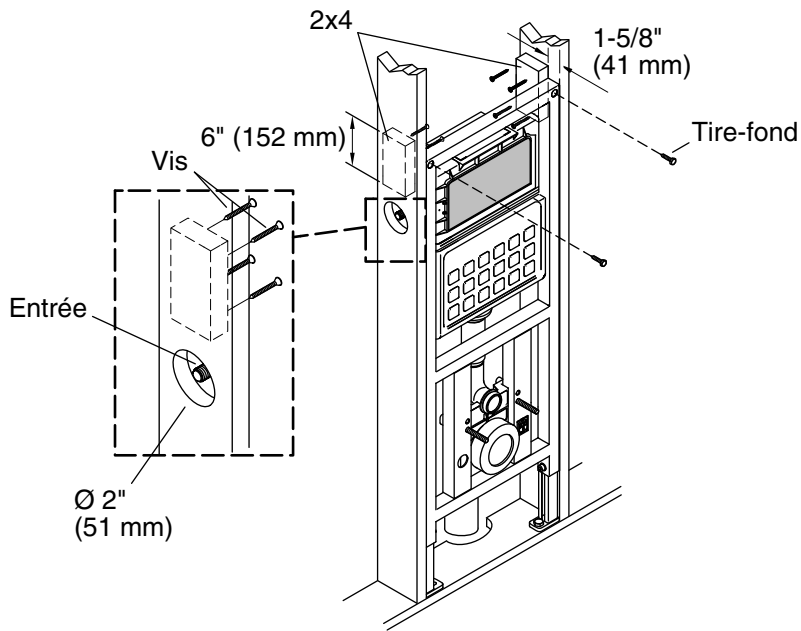
Ajuster la hauteur du bâti-support (cont.)

Lorsque le bâti-support est abaissé, s'assurer que le coude s'aligne avec tuyau d'écoulement du W.C.

Le cas échéant, vérifier que le joint sur le coude reste en position correcte lorsqu'il s'engage dans le tuyau d'écoulement du W.C.

- Ajuster le bâti-support jusqu'à la hauteur souhaitée. Bien serrer les écrous à l'aide de la clé hexagonale fournie pour fixer les pieds en place.

Si un coude en fonte est requis, effectuer le raccordement en conformité avec tous les codes en vigueur.



6. Fixer le haut du bâti-support

- Percer des avant-trous à l'emplacement des tire-fonds.
- Poser deux 2x4 de support de 6" (152 mm) de long au sommet du bâti-support, dans l'alignement des trous de fixation, en retrait de 1-5/8" (41 mm) par rapport au bord avant des montants.
- Fixer le bâti-support aux supports avec deux tire-fonds de 2" (51 mm) de long (minimum)(non fournis), un de chaque côté.
- À l'emplacement de l'arrivée d'eau, percer un trou de 2" (51 mm).

Raccorder l'alimentation électrique - Installations à siège-bidet



AVERTISSEMENT: Risque de blessures. Débrancher l'alimentation électrique avant de raccorder les fils.

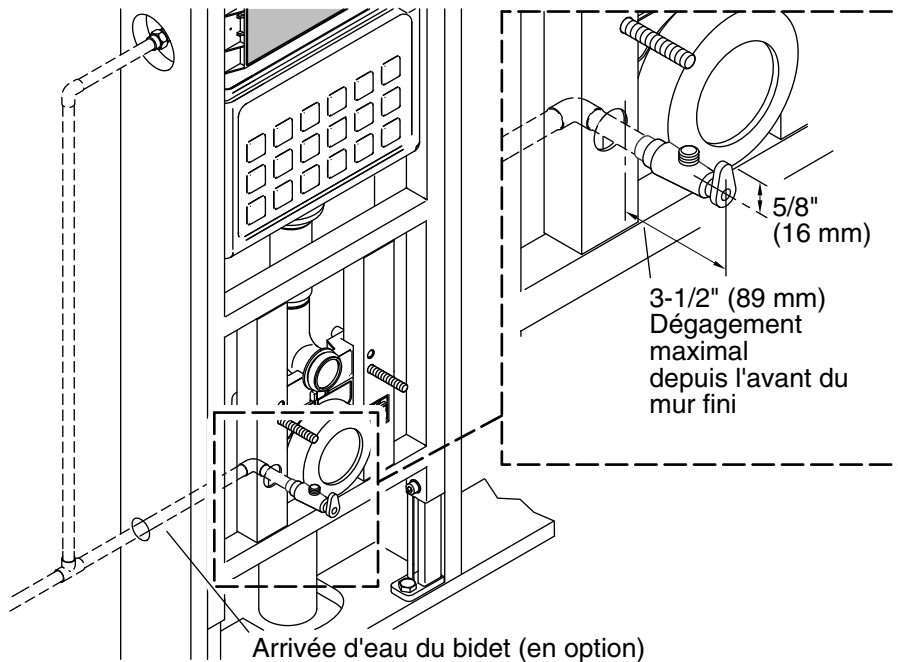


ATTENTION: Risque de blessures. La prise électrique doit être raccordée à un circuit protégé par un disjoncteur de type GFCI ou RCD ou alors un disjoncteur de fuite de terre (GFCI) ou un appareil à courant résiduel (RCD) doit être installé de façon accessible.

REMARQUE: Cette étape est nécessaire uniquement si le boîtier électrique a été installé à la section "Préparer le bâti-support".

Fixer le haut du bâti-support (cont.)

- Raccorder l'alimentation électrique conformément à tous les codes en vigueur.



7. Installer l'alimentation d'eau

Toutes les installations

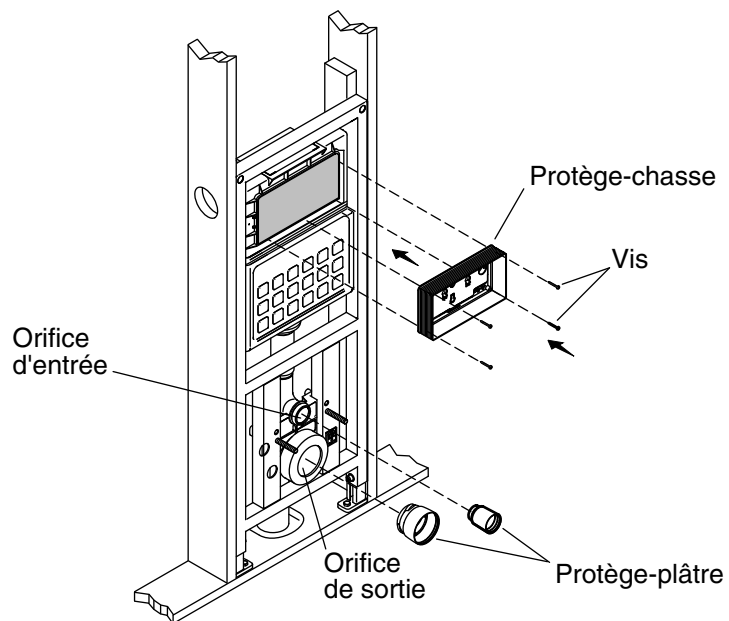
IMPORTANT! Une arrivée d'eau de bidet optionnelle est illustrée pour la cuvette K-6300. Ne pas installer une deuxième arrivée d'eau sauf si l'on installe un siège-bidet caché.

- Poser les tuyaux d'arrivée d'eau conformément à tous les codes locaux.
- Raccorder le conduit d'évacuation conformément à tous les codes en vigueur.

Installations avec un siège-bidet

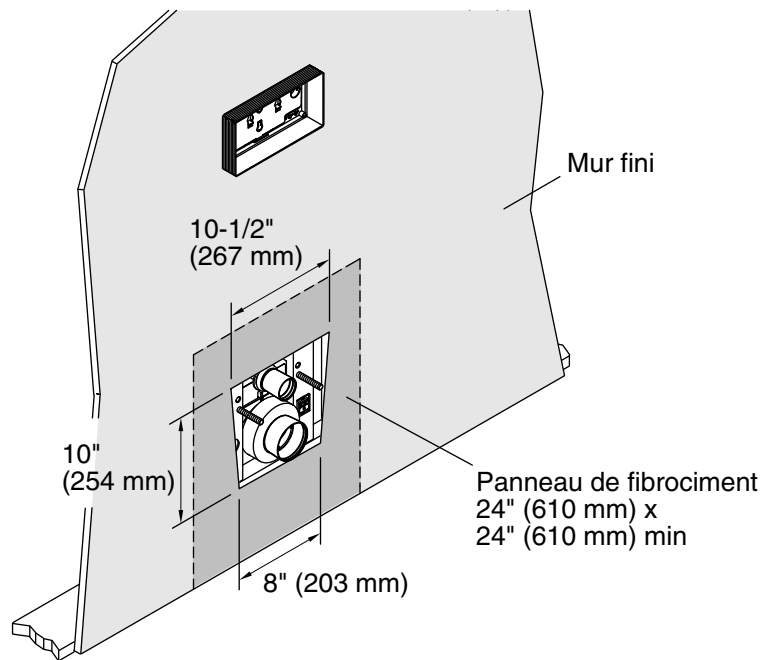
- Optionnel:** Installer l'arrivée d'eau de bidet et un robinet d'arrêt quart de tour de 1/2" NPT.

IMPORTANT! Le robinet d'arrêt d'arrivée du bidet doit dépasser de 3" (76 mm) minimum à 4" (102 mm) maximum au-delà du mur fini pour permettre l'accès à la poignée. La poignée du robinet d'arrêt ne doit pas dépasser de plus de 5/8" (16 mm) en hauteur par rapport au centre de l'arrivée d'eau.



8. Poser les protège-plâtres

- Insérer un protège-plâtre dans l'orifice d'entrée du bâti-support.
- Insérer un protège-plâtre dans l'orifice de sortie du bâti-support.
- Poser le protège-chasse dans l'ouverture de vanne de chasse à l'aide des quatre vis fournies.
- Si ce n'est pas déjà fait, installer le panneau plat dans l'ouverture de vanne de chasse.



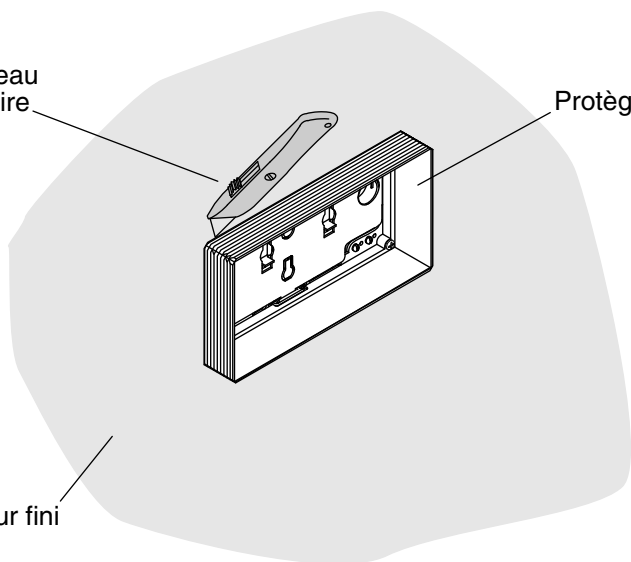
9. Poser la finition murale.

- Poser un panneau de fibrociment de 24" (610 mm) sur 24" (610 mm) comportant un évidement de 10-1/2" (267 mm) sur 10" (254 mm) directement derrière la cuvette, centré sur l'ouverture de la sortie d'évacuation.
- Poser la finition murale.

Couteau
utilitaire

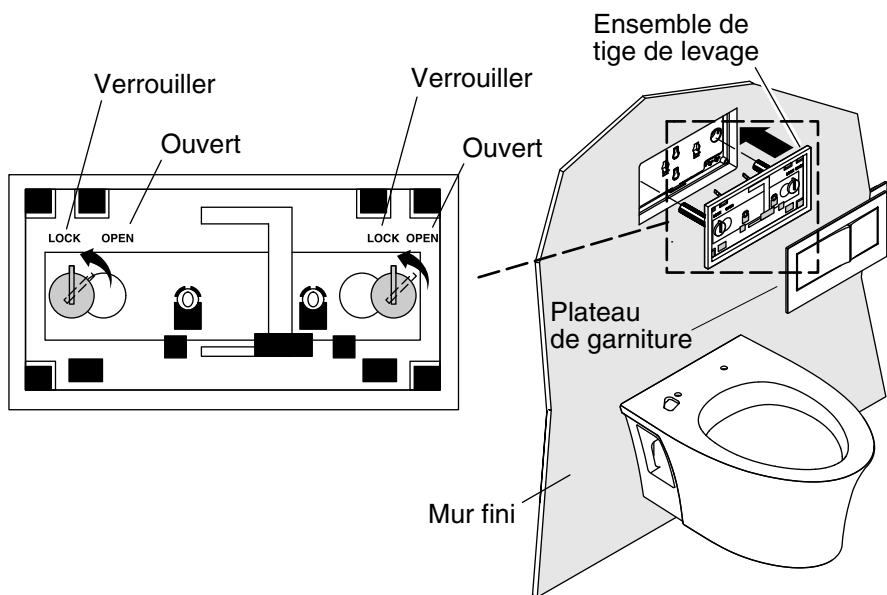
Protège-chasse

Mur fini



10. Raccourcir le protège-chasse

- À l'aide d'un couteau utilitaire, couper le protège-chasse avec précaution au ras du mur fini.



11. Poser le plateau de garniture

- Tourner les languettes de verrouillage à la position "Ouvrir".
- Aligner l'ensemble de la tige de levage sur les ouvertures de la vanne et installer l'ensemble.
- Tourner les languettes de verrouillage à la position "Verrouiller".
- Positionner le plateau de garniture par-dessus l'ensemble de la tige de levage et appuyer pour le mettre en place.

Entretien et nettoyage



AVERTISSEMENT: Risque de dommages matériel ou d'endommagement du produit. Ne pas utiliser de détergents faits pour le réservoir dans la toilette. Les produits contenant du chlore (hypochlorite de calcium) peuvent sérieusement endommager les raccords du réservoir. Ceci peut créer des fuites et des dommages matériels.

La société Kohler Co. décline toute responsabilité et ne pourra être responsable pour des dommages de raccords de réservoir dus à l'utilisation de nettoyants contenant du chlore (hypochlorite de

Entretien et nettoyage (cont.)

calcium).

Pour obtenir les meilleurs résultats possibles, prendre ce qui suit en considération lors de l'entretien de votre produit KOHLER:

- Toujours tester la solution de nettoyage sur une surface non visible avant de l'appliquer sur l'ensemble de la surface.
- Essuyer les surfaces et rincer complètement avec de l'eau immédiatement après l'application du nettoyant. Rincer et sécher tout éclaboussement sur les surfaces avoisinantes.
- Ne pas laisser les nettoyants tremper sur les surfaces.
- Utiliser une éponge ou un chiffon doux et humide. Ne jamais utiliser de matériau abrasif tel qu'une brosse ou une éponge à récurer pour nettoyer les surfaces.
- **Pour la toilette Artist Edition:** Traiter le produit décoratif comme s'il s'agissait d'une porcelaine fine. NE PAS utiliser de brosses en soies ni d'éponges abrasives. Cela rayerait les surfaces décoratives. Utiliser uniquement de l'eau chaude pour le nettoyage. Sécher avec un chiffon en coton ou une éponge douce.

Pour obtenir des informations détaillées sur le nettoyage et les produits à considérer, consulter le site www.kohler.com/clean. Pour commander des informations sur l'entretien & le nettoyage, appeler le 1-800-456-4537.

Dépannage

Pour tout renseignement sur les pièces de rechange, visiter www.kohler.com/serviceparts.

Dépannage (cont.)		
Symptômes	Cause	Action recommandée
1. Chasse médiocre.	A. Niveau d'eau trop bas.	A. Le niveau de l'eau doit être à 8" (203 mm) environ au-dessus du fond du réservoir. Relever le niveau d'eau dans le réservoir en tournant le bouton blanc dans le sens des aiguilles d'une montre jusqu'à ce que l'eau atteigne le repère de niveau dans le réservoir.
	B. Ventilation insuffisante de la conduite d'évacuation.	B. Installer une ventilation conforme à la réglementation.
2. Fuite de la vanne de remplissage.	A. Niveau d'eau trop haut.	A. Abaisser le niveau d'eau dans le réservoir en tournant le bouton au-dessus de la tige filetée dans le sens contraire des aiguilles d'une montre jusqu'à ce que la vanne de remplissage se ferme lorsque l'eau atteint le repère de niveau dans le réservoir.
	B. La vanne de remplissage ou son joint sont endommagés.	B. Changer le joint ou la vanne de remplissage comme il se doit.
	C. La vanne de remplissage coince en position ouverte.	C. Vérifier que la vanne de remplissage et les mécanismes d'actionnement bougent librement. Les actionneurs à bouton poussoir doivent soulever les leviers puis revenir sans effort. Changer les pièces comme il se doit.

Dépannage (cont.)		
Symptômes	Cause	Action recommandée
3. Fuites derrière la cuvette.	A. Joints par incorrectement en place.	A. Déposer la cuvette et contrôler tous les joints. Rectifier la position des joints comme il se doit. Lubrifier les joints afin qu'ils glissent dans ou sur la pièce appariée à rendre étanche. Remonter la cuvette, en vérifier que les joints restent dans la bonne position.
4. Le chariot et la cuvette fléchissent durant l'utilisation.	A. Support insuffisant pour le bâti.	A. Poser des éléments de support supplémentaires et fixer le bâti avec des tire-fonds de 1/4" ou plus.
5. Pas d'écoulement d'eau.	A. Le robinet d'arrêt d'arrivée situé dans le réservoir est fermé.	A. Ouvrir le robinet d'arrêt d'arrivée (situé du côté gauche).
	B. La conduite d'eau est obstruée.	B. Fermer le robinet d'arrêt d'arrivée externe, débrancher le tuyau tressé de la vanne de remplissage. Ouvrir l'arrivée d'eau et vérifier que l'eau s'écoule à travers le tuyau. Poursuivre la recherche d'obstruction sur le circuit d'eau. Éliminer tout blocage.
Garantie		
GARANTIE LIMITÉE D'UN AN		
Les produits de plomberie KOHLER sont garantis contre tout vice de matériau et de fabrication pendant un an à partir de la date de l'installation.		

Garantie (cont.)

Si un vice est découvert au cours d'une utilisation normale, Kohler Co. choisira, à sa discrétion, la réparation, le remplacement ou la rectification appropriée après inspection desdits vices par Kohler Co. pendant un (1) an à partir de la date d'installation. Kohler Co. n'est pas responsable des frais d'enlèvement ou d'installation. **L'utilisation de nettoyeurs à l'intérieur du réservoir annule la garantie.**

Pour obtenir le service de garantie, contacter Kohler Co., par l'intermédiaire du vendeur, plombier, centre de rénovation ou revendeur par internet, ou bien par écrit à l'adresse suivante Kohler Co., Attn.: Customer Care Center, 444 Highland Drive, Kohler, WI 53044, USA, ou appeler le 1-800-4-KOHLER (1-800-456-4537) à partir des É.-U. et du Canada, et le 001-800-456-4537 à partir du Mexique, ou consulter le site www.kohler.com aux É.-U., www.ca.kohler.com à partir du Canada, ou www.mx.kohler.com au Mexique.

LES GARANTIES TACITES, Y COMPRIS CELLES DE COMMERCIALITÉ ET D'ADAPTATION À UN USAGE PARTICULIER, SONT EXPRESSÉMENT LIMITÉE À LA DURÉE DE LA PRÉSENTE GARANTIE. KOHLER CO. ET/OU LE REVENDEUR DÉCLINENT TOUTE RESPONSABILITÉ CONTRE LES DOMMAGES PARTICULIERS, ACCESSOIRES OU INDIRECTS.

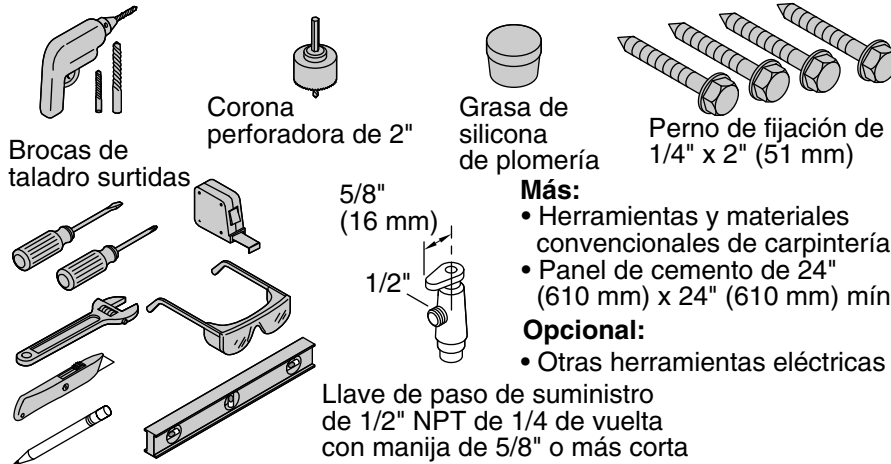
Certains états et provinces ne permettent pas de limite sur la durée de la garantie tacite, ni l'exclusion ou la limite des dommages particuliers, accessoires ou indirects, et, par conséquent, lesdites limites et exclusions peuvent ne pas s'appliquer à votre cas. Cette garantie vous donne des droits juridiques particuliers. Vous pouvez également avoir d'autres droits qui varient d'un état ou d'une province à l'autre.

Ceci constitue la garantie écrite exclusive de Kohler Co.

Guía de instalación y cuidado

Tanque y armazón dentro de la pared

Herramientas y materiales



Antes de comenzar

¡IMPORTANTE! Este producto requiere una estructura de postes de 2x6. Una estructura de postes de 2x4 no tendrá suficiente profundidad para el montaje del armazón.

¡IMPORTANTE! En zonas con temperaturas de congelación, instale en una pared interior. Si se instala en una pared exterior, provea aislamiento adecuado para evitar la posibilidad de congelación.

NOTA: Este dispositivo no está diseñado para utilizarse como dispositivo de conversión para inodoros de 1,28 galones/descarga (4,8 litros/descarga).

NOTA: Los resultados pueden variar. Este producto no se ha probado con inodoros que no estén identificados en la lista como compatibles.

- Solo las tazas K-6299 y K-6300 son compatibles con el armazón.
- Durante la instalación, asegúrese de que los empaques y las conexiones del tubo de entrada permanezcan completamente embonados para asegurar el sello hermético.

Antes de comenzar (cont.)

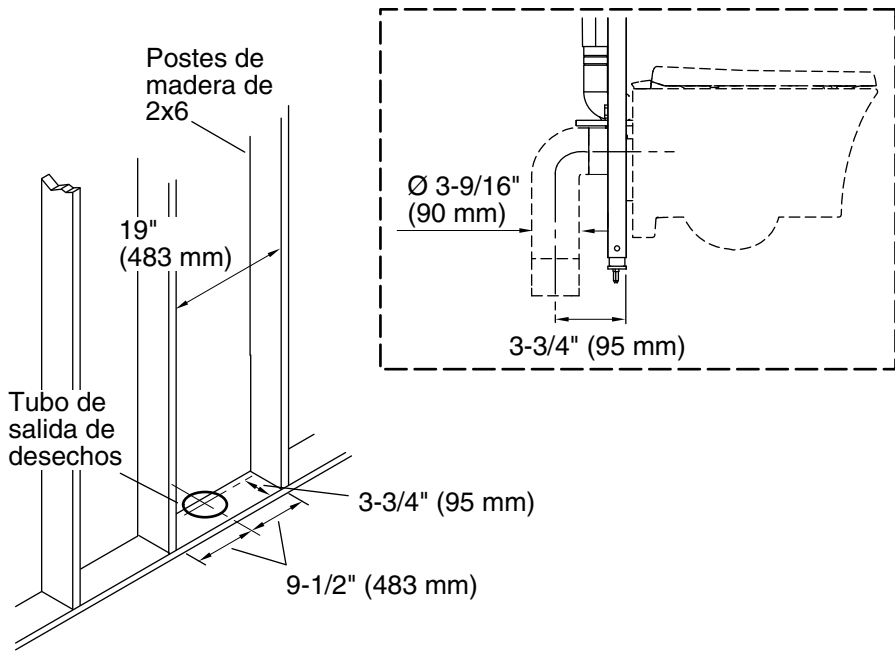
- Revise atentamente el armazón y el tanque para cerciorarse de que no estén dañados.
- Cumpla todos los códigos locales de plomería y construcción.

Para instalaciones con asiento de bidet



PRECAUCIÓN: Riesgo de lesiones personales. Si va a instalar el tomacorriente eléctrico opcional, se debe conectar a un circuito protegido mediante un interruptor GFCI o RCD.

- Si va a instalar el tomacorriente opcional, observe todos los códigos eléctricos locales.



1. Instale la estructura de postes

¡IMPORTANTE! Esta instalación requiere postes de madera de 2x6. Tome en cuenta que la dimensión de centro a centro de los postes de madera no es estándar.

¡IMPORTANTE! Tome en cuenta la dimensión de 3-3/4" (95 mm) desde el borde frontal de la estructura de postes hasta el centro del tubo de salida. Esta dimensión es crítica para la instalación.

NOTA: Consulte la hoja de especificaciones para obtener más detalles y las dimensiones de instalación.

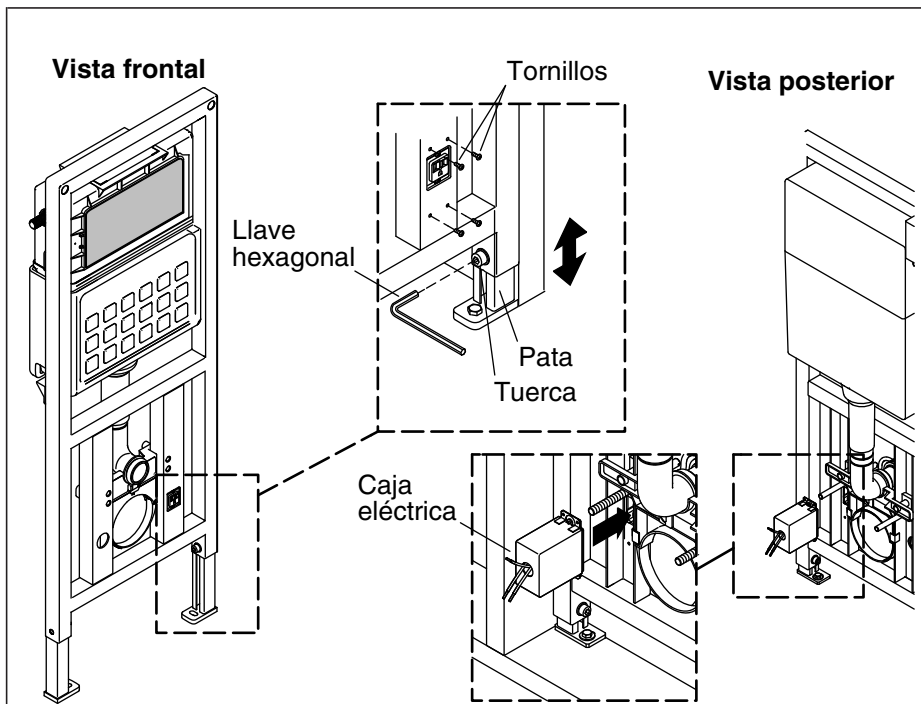
NOTA: Es posible cambiar la ubicación del tubo de salida de desechos en esta instalación.

NOTA: Se incluye un codo de PVC con este producto. En ciertas zonas es posible que el código requiera un código de hierro fundido. Tal vez sea necesario ajustar la altura del tubo de desagüe del inodoro si se utiliza un codo de hierro fundido.

NOTA: Se deben usar dobles postes de madera a cada lado del encajonado de postes.

Instale la estructura de postes (cont.)

- Construya el encajonado de postes de acuerdo a las dimensiones que se muestran.
- El centro de la salida de desechos debe estar a 3-3/4" (95 mm) del borde frontal de la estructura de madera.



2. Prepare el armazón

Eleve el armazón

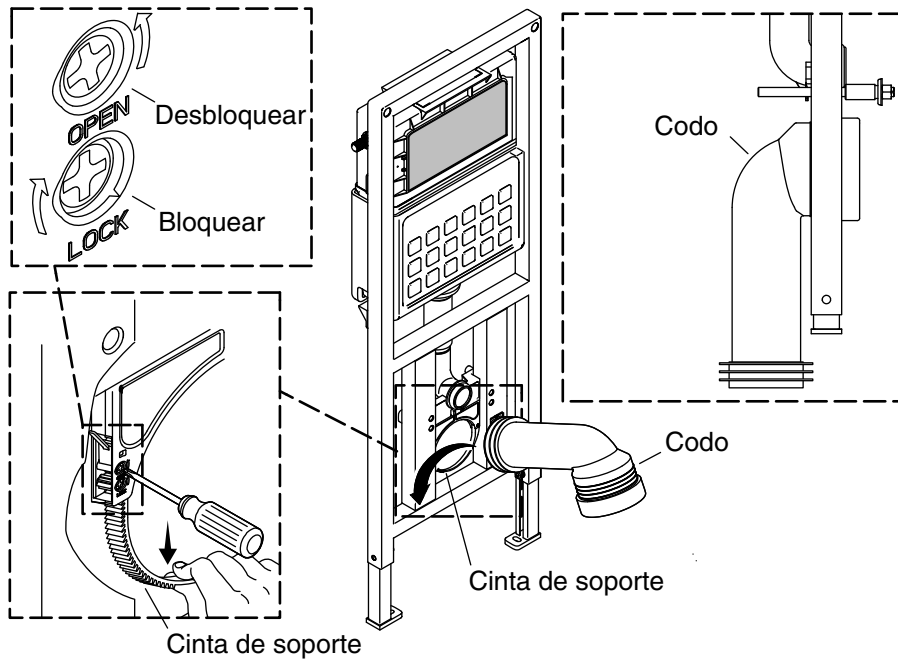
NOTA: Eleve el armazón para facilitar la instalación. Se bajará otra vez en un paso posterior.

- Coloque el armazón boca abajo en el piso.
- Con la llave hexagonal provista, afloje las tuercas que fijan las patas al armazón.
- Eleve el armazón entre 8" (203 mm) y 10" (254 mm), lo suficiente para dejar espacio para una llave de apriete y los pernos de fijación sobre las patas.
- Apriete las tuercas que fijan las patas al armazón.

Instale la caja eléctrica - Instalaciones de bidet

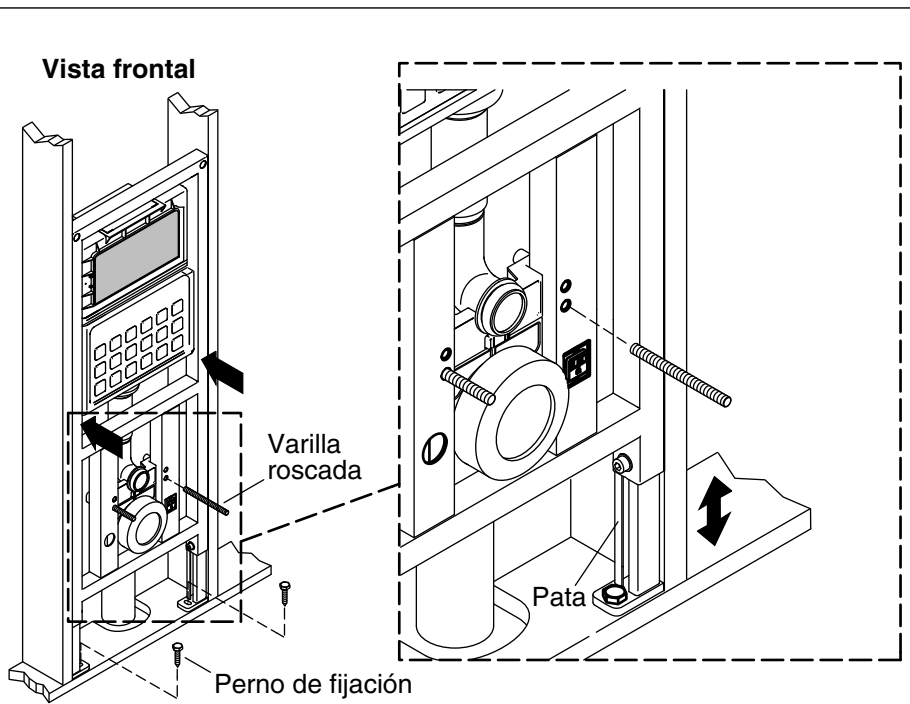
NOTA: La caja eléctrica se requiere cuando va a usar el asiento de bidet K-4744 con la taza. En instalaciones estándar sáltese este paso.

- Conecte la caja eléctrica al armazón en el lugar que se muestra.



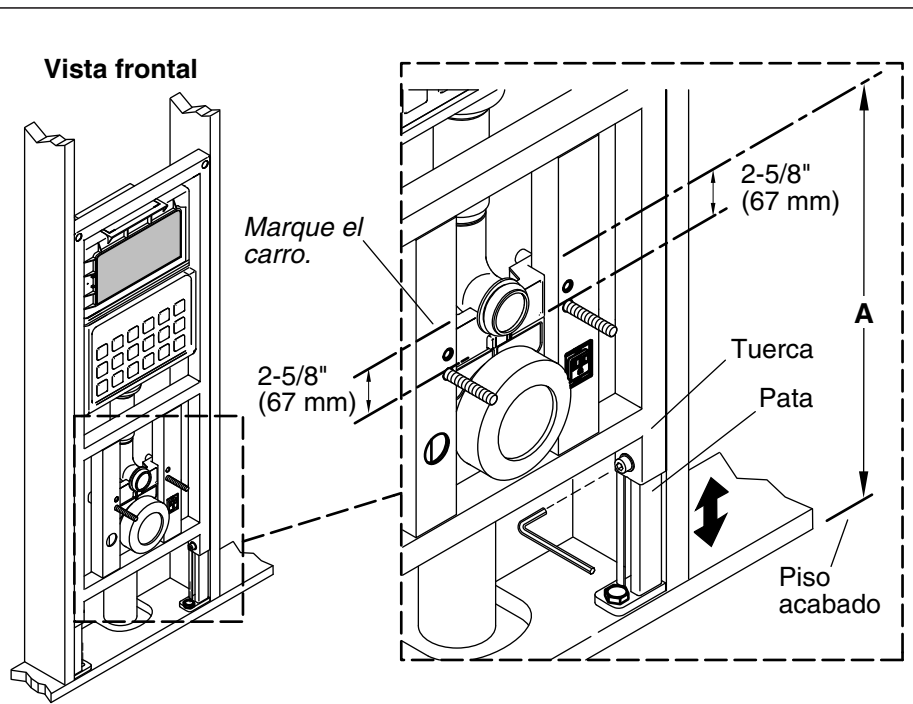
3. Coloque el codo

- Coloque el armazón verticalmente en una posición segura.
- Gire **con suavidad** el tornillo superior (identificado "Open" (Abrir)) hacia la izquierda mientras aplica presión ligera hacia abajo en la tira de soporte hasta que la tira se libere del mecanismo de cierre.
- Mueva el extremo del codo a su lugar desde el frente del armazón. Gire el codo hacia abajo a medida que se mueve a través del armazón.
- Con el extremo ancho del tubo de desechos contra la tira de soporte, inserte la tira de soporte hacia arriba en el mecanismo de cierre lo más posible.
- Con **suavidad** gire el tornillo de fijación inferior (identificado "Lock" (Cerrar)) hacia la derecha hasta que se escuche un clic para fijar el tubo de desechos.



4. Instale el armazón

- Mueva el armazón a su lugar en el encajonado de postes.
- Fije temporalmente el armazón en su lugar, de manera que no se caiga.
- Alinee el armazón al ras con el borde frontal de los postes de madera. El frente del armazón debe estar al ras con el borde frontal de los postes de madera o ligeramente detrás en instalaciones con la pared acabada.
- Verifique que el frente del armazón esté a plomo.
- Marque la ubicación del orificio para cada pata.
- Taladre un orificio guía (retire el armazón si es necesario) para reducir el riesgo de que el perno de fijación haga que el poste se raje o fisure.
- Fije las patas del armazón a los postes con pernos de fijación de 2" (51 mm) (mínimo) (no se incluyen).
- Instale las varillas roscadas al armazón, dándoles varias vueltas.



5. Ajuste la altura del armazón

¡IMPORTANTE! Si el armazón no se ajusta correctamente, es posible que la altura del reborde de la taza no cumpla los códigos pertinentes. Si la altura de la taza no es correcta, será necesario retirar la pared acabada para hacer ajustes.

NOTA: En las tazas **K-6299** y **K-6300**, la altura mínima del reborde es 15-5/8" (391 mm) cuando el piso acabado está parejo con la parte inferior de las patas del armazón. La altura máxima del reborde es 26" (660 mm) cuando las patas están completamente elevadas. El armazón se puede ajustar hasta 12" (305 mm), siendo 6" (152 mm) o menos el ajuste suficiente en la mayoría de las instalaciones.

- Marque 2-5/8" (67 mm) arriba de la parte superior de la varilla roscada.
- Mida desde la parte superior del piso acabado hasta la marca (A) para determinar la altura del borde de la taza.
- Afloje las tuercas que fijan las patas al armazón.

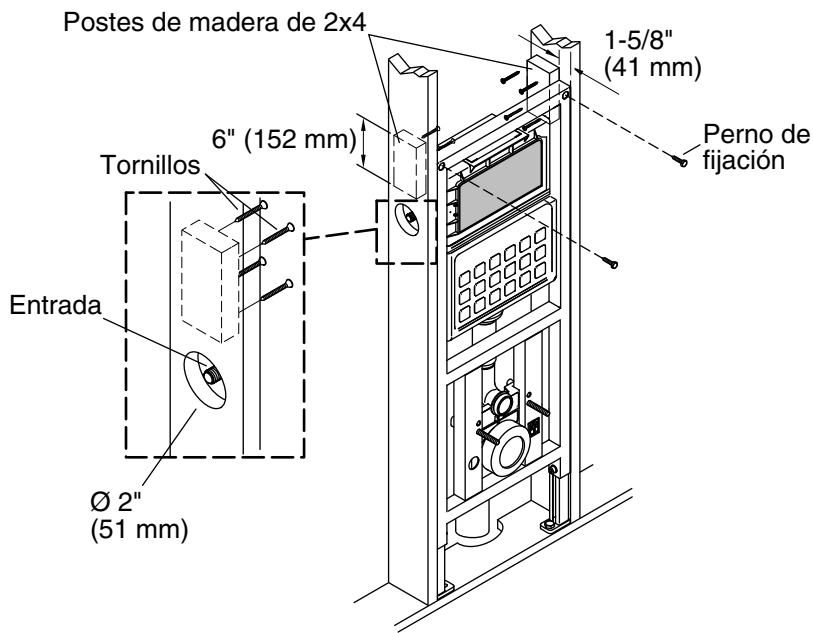
Al ir bajando el armazón, asegúrese de que el codo quede alineado con el tubo de desagüe del inodoro.

Ajuste la altura del armazón (cont.)

Si aplica, verifique que el empaque del codo quede correctamente instalado al ir entrando en el tubo de desagüe del inodoro.

- Ajuste el armazón hasta que quede a la altura deseada. Apriete las tuercas con firmeza con la llave hexagonal incluida para fijar las patas en su lugar.

Si se requiere un codo de hierro fundido, haga las conexiones de acuerdo a los códigos pertinentes.



6. Fije la parte superior del armazón

- Taladre orificios guía en los lugares para los pernos de fijación.
- Instale dos postes de 2x4 de soporte de 6" (152 mm) de largo en la parte superior del armazón, alineados con los orificios de montaje y 1-5/8" (41 mm) hacia dentro del borde frontal de los postes.
- Fije el armazón a los postes de soporte con pernos de fijación de 2" (51 mm) de largo (mínimo) (no provistos), uno en cada lado.
- En la ubicación de la entrada, taladre un orificio de 2" (51 mm).

Conecte la energía eléctrica - Instalaciones de asiento de bidet



ADVERTENCIA: Riesgo de lesiones personales. Desconecte la energía eléctrica antes de conectar los cables.

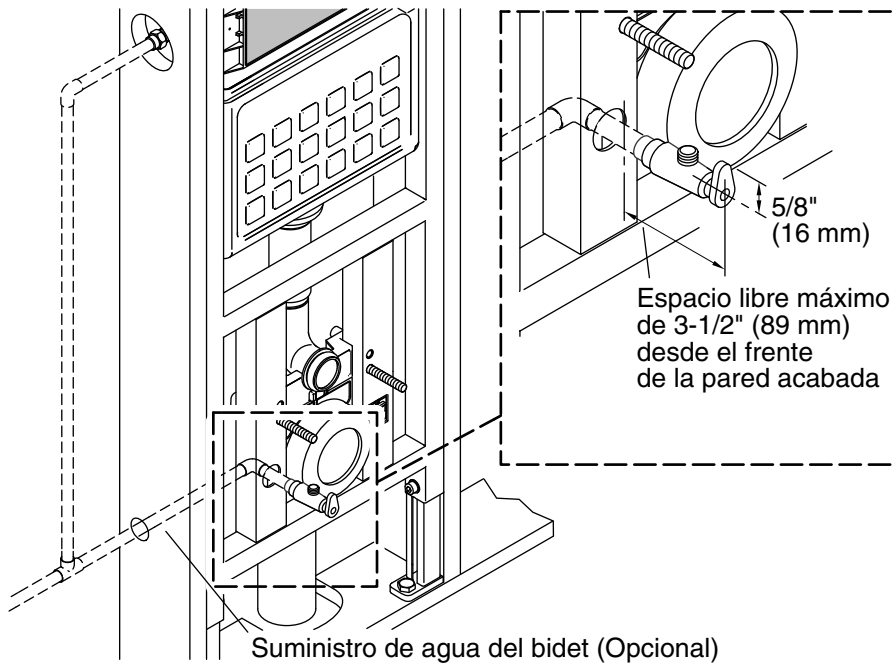


PRECAUCIÓN: Riesgo de lesiones personales. El tomacorriente eléctrico tiene que estar conectado a un circuito protegido mediante un interruptor GFCI o RCD, o se tiene que instalar un interruptor de circuito con pérdida a tierra (GFCI) o dispositivo de corriente residual (RCD).

Fije la parte superior del armazón (cont.)

NOTA: Este paso solo es necesario si se instaló una caja eléctrica en la sección "Prepare el armazón".

- Conecte la alimentación eléctrica de acuerdo a los códigos pertinentes.



7. Instale el suministro de agua

Todas las instalaciones

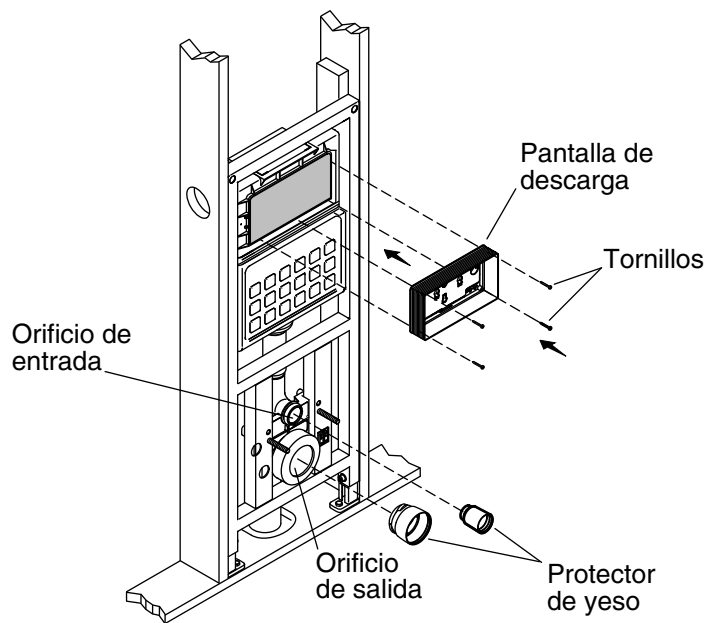
¡IMPORTANTE! Se muestra el suministro de agua opcional para bidet para la **taza K-6300**. No instale un segundo suministro de agua a menos que vaya a instalar un asiento de bidet oculto.

- Instale los tubos de suministro de agua, de acuerdo a todos los códigos locales.
- Conecte el tubo de desechos de acuerdo a todos los códigos locales pertinentes.

Instalaciones con asiento de bidet

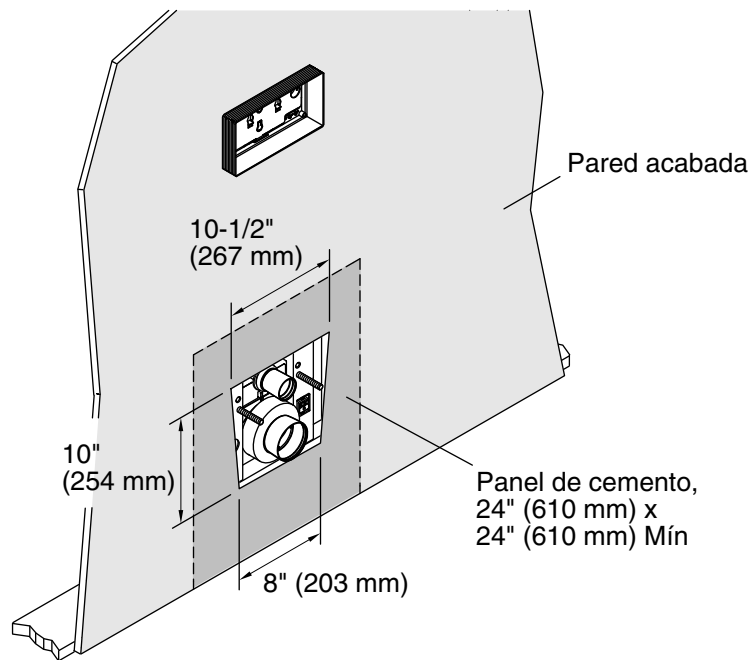
- Opcional:** Instale el suministro de agua de bidet y una llave de paso de 1/2" NPT de un cuarto de vuelta.

¡IMPORTANTE! La llave de paso del suministro del bidet debe sobresalir de 3" (76 mm) como mínimo a 4" (102 mm) como máximo a partir de la pared acabada, para permitir acceso a la manija. La manija de la llave de paso del suministro no debe estar más arriba de 5/8" (16 mm) a partir del centro del suministro de agua.



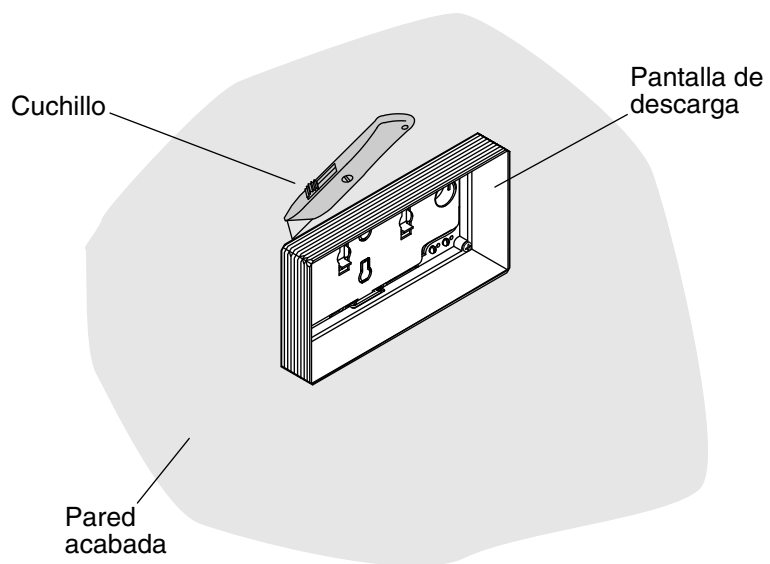
8. Instale los protectores de yeso

- Introduzca un protector de yeso en el orificio de entrada en el armazón.
- Instale un protector de yeso en el orificio de salida en el armazón.
- Instale la pantalla de la descarga en la abertura para la válvula de descarga con los cuatro tornillos provistos.
- Si el panel plano aún no ha sido instalado, instálelo en la abertura de la válvula de descarga.



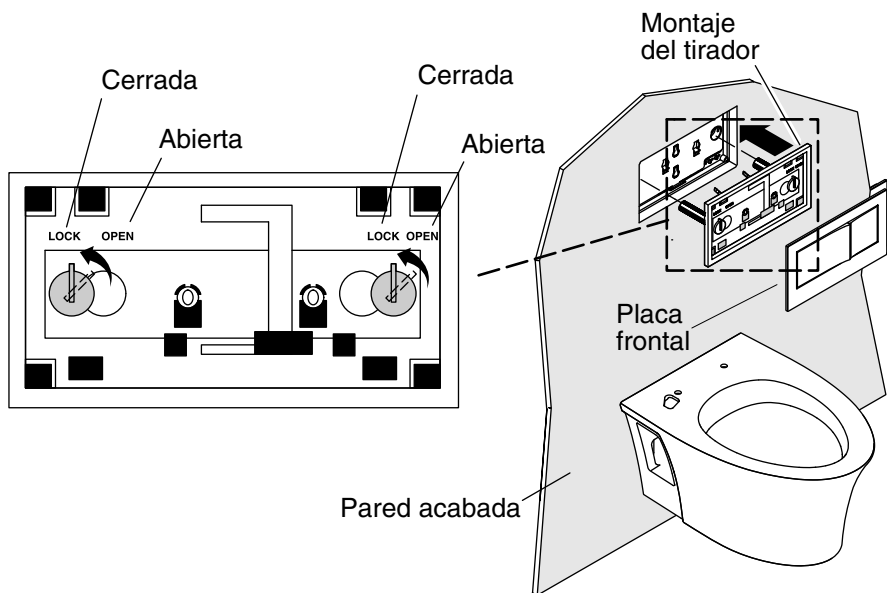
9. Instale la pared acabada

- Instale una pieza de panel de cemento de 24" (610 mm) por 24" (610 mm) como mínimo, con un orificio de 10-1/2" (267 mm) por 10" (254 mm), directamente detrás de la taza y centrado sobre la abertura de salida de desechos.
- Instale la pared acabada.



10. Recorte la pantalla de la descarga

- Utilice una navaja para recortar con cuidado la pantalla de la descarga pareja con la pared acabada.



11. Instale la placa frontal

- Gire las lengüetas de cierre a la posición abierta "Open".
- Alinee el montaje del tirador con las aberturas de la válvula e instálolo.
- Gire las lengüetas de cierre a la posición cerrada "Lock".
- Coloque la placa frontal sobre el montaje del tirador y presiónela en su lugar.

Cuidado y limpieza



ADVERTENCIA: Riesgo de daños al producto o a la propiedad. No utilice productos para limpiar el inodoro que se colocan dentro del tanque. Los productos que contienen cloro (hipoclorito de calcio) pueden dañar las piezas del tanque. Esto puede causar fugas y daños a la propiedad.

Kohler Co. no se hará responsable de daños a las conexiones del tanque causados por el uso de limpiadores que contengan cloro (hipoclorito de calcio).

Cuidado y limpieza (cont.)

Para obtener los mejores resultados tenga presente lo siguiente al limpiar su producto KOHLER:

- Siempre pruebe la solución de limpieza en un área oculta antes de aplicarla a toda la superficie.
- Limpie con un paño las superficies, y enjuague completa e inmediatamente con agua después de haber aplicado el limpiador. Enjuague y seque las superficies cercanas que hayan sido rociadas.
- No deje mucho tiempo los limpiadores en las superficies.
- Utilice una esponja o un paño suave y húmedo. Para limpiar las superficies, nunca utilice materiales abrasivos como cepillos o estropajos de tallar.
- **Para los inodoros Artist Edition:** Cuide su producto decorativo tal como lo haría con su porcelana más fina. NO utilice cepillos de cerdas o esponjas con un lado abrasivo. Podrían rayar las superficies decoradas. Limpie estos acabados solamente con agua tibia. Seque con un trapo de algodón o con una esponja suave.

Para obtener información detallada de limpieza y de productos a considerar, visite www.kohler.com/clean. Para solicitar información sobre el cuidado y la limpieza, llame al 1-800-456-4537.

Guía para resolver problemas

Para consultar información sobre piezas de repuesto, visite www.kohler.com/serviceparts.

Síntomas	Causa	Acción recomendada
1. Descarga deficiente.	A. El nivel de agua es demasiado bajo.	A. La línea de agua debe estar aproximadamente 8" (203 mm) arriba del fondo del tanque. Para subir el nivel de agua en el tanque hasta la línea de agua marcada, gire hacia la derecha la perilla blanca hasta que el nivel de agua alcance la línea de agua marcada en el tanque.

Guía para resolver problemas (cont.)

Síntomas	Causa	Acción recomendada
	<p>B. Venteo inadecuado de la línea de desechos.</p>	<p>B. Instale venteo de acuerdo al código.</p>
<p>2. Válvula de llenado en funcionamiento constante.</p>	<p>A. El nivel de agua es demasiado alto.</p>	<p>A. Baje el nivel de agua en el tanque girando hacia la izquierda la perilla de la parte superior de la varilla roscada hasta que se cierre la válvula de llenado cuando el nivel de agua alcance la línea de agua marcada en el tanque.</p>
	<p>B. El empaque de la válvula de descarga o la válvula de descarga están dañados.</p>	<p>B. Cambie el empaque o la válvula de descarga según sea necesario.</p>
	<p>C. La válvula de descarga se atora en la posición abierta.</p>	<p>C. Revise que la válvula de descarga y que los mecanismos de activación se puedan mover con libertad. Los accionadores de los botones deben elevar las palancas y luego regresar elásticamente sin fuerza. Cambie los componentes que sea necesario.</p>

Guía para resolver problemas (cont.)

Síntomas	Causa	Acción recomendada
3. Hay fugas detrás de la taza.	A. Los empaques no están bien colocados.	A. Retire la taza y revise todos los empaques. Cambie la posición de los empaques si es necesario. Lubrique los empaques para que se deslicen dentro o sobre la pieza de embone que sellan. Vuelva a instalar la taza, asegurándose de que los empaques permanezcan en las posiciones correctas.
4. El armazón y la taza se flexionan durante el uso.	A. Soporte insuficiente para la estructura.	A. Agregue piezas de soporte adicionales y monte la estructura con tornillos de fijación de 1/4" o más grandes.
5. No hay flujo de agua.	A. La llave de paso de suministro en el tanque está cerrada.	A. Abra la llave de paso de suministro (en el lado izquierdo).
	B. Hay una obstrucción en la línea de agua.	B. Cierre la llave de paso de suministro externa, desconecte la manguera trenzada donde se fija a la válvula de llenado. Abra el suministro de agua y verifique el flujo a través de la manguera. Continúe investigando si hay obstrucciones en la ruta de agua. Elimine las obstrucciones que haya.

Garantía

GARANTÍA LIMITADA DE UN AÑO

Se garantizan productos de plomería KOHLER contra defectos de material y mano de obra durante un año a partir de la fecha de instalación.

Kohler Co., a su criterio, reparará, reemplazará o realizará los ajustes pertinentes en los casos en que la inspección realizada por Kohler Co. determine que dichos defectos ocurrieron durante el uso normal en el transcurso de un (1) año a partir de la fecha de la instalación. Kohler Co. no se hace responsable de costos de desinstalación o de instalación.

El uso de limpiadores de inodoro que se colocan dentro del tanque anula la garantía.

Para obtener el servicio de garantía, comuníquese con Kohler Co. a través de su distribuidor, contratista de plomería, centro de remodelación o distribuidor por Internet, o escriba a Kohler Co., Attn.: Customer Care Center, 444 Highland Drive, Kohler, WI 53044, EE.UU., o llame al 1-800-4-KOHLER (1-800-456-4537) desde los EE.UU. y Canadá, o al 001-800-456-4537 desde México, o visite www.kohler.com desde los EE.UU., www.ca.kohler.com desde Canadá, o www.mx.kohler.com en México.

TODA GARANTÍA IMPLÍCITA, INCLUIDA LA DE COMERCIALIZACIÓN E IDONEIDAD DEL PRODUCTO PARA UN USO DETERMINADO, SE LIMITA EXPRESAMENTE A LA DURACIÓN DE ESTA GARANTÍA. KOHLER CO. Y/O EL VENDEDOR DESCARGAN TODA RESPONSABILIDAD POR CONCEPTO DE DAÑOS PARTICULARES, INCIDENTALES O INDIRECTOS. Algunos estados/provincias no permiten limitaciones en cuanto a la duración de una garantía implícita o a la exclusión o limitación de daños particulares, incidentales o indirectos, por lo que estas limitaciones y exclusiones pueden no aplicar a su caso. Esta garantía le otorga ciertos derechos legales específicos. Además, usted también puede tener otros derechos que varían de estado a estado y de provincia a provincia.

Esta es la garantía exclusiva por escrito de Kohler Co.

1142998-2-D

1142998-2-D

1142998-2-D

USA/Canada: 1-800-4KOHLER

México: 001-800-456-4537

kohler.com

THE BOLD LOOK
OF **KOHLER**®

©2014 Kohler Co.

1142998-2-D