

Features

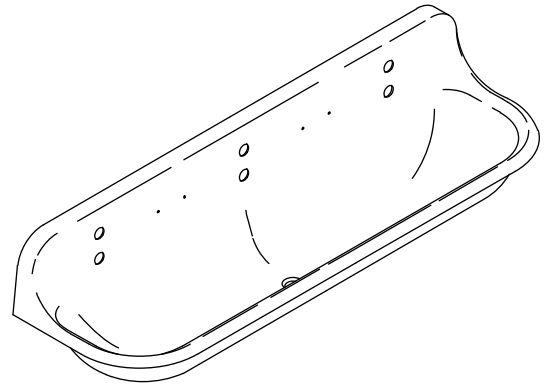
- KOHLER cast iron
- Acid-resistant enamel finish
- Faucet and soap dish drillings
- 6' (1829 mm)

WASH SINK K-3204

Codes/Standards Applicable

Specified model meets or exceeds the following:

- ASME A112.19.1/CSA B45.2



Colors/Finishes

- 0: White

Accessories

- CP: Polished Chrome
- BC: Bright Chrome
- RP: Rough Plate
- NA: None applicable

Specified Model

Model	Description	Colors/Finishes
K-3204	6' (1829 mm) wash sink	<input type="checkbox"/> 0

Recommended Accessories

K-8820	1-1/2" (38 mm) sink strainer	<input type="checkbox"/> CP		
K-8880	Soap dish		<input type="checkbox"/> BC	
K-8892	Wash sink faucet			<input type="checkbox"/> RP

Optional Accessories

K-3264-PP	Adjustable pedestal, provides height of 25" (635 mm) to 31" (787 mm) (pair), painted finish	<input type="checkbox"/> NA
K-3264-P	Adjustable pedestal, provides height of 25" (635 mm) to 31" (787 mm) (pair), glazed finish	<input type="checkbox"/> NA
K-3265-PP	Adjustable pedestal, provides height of 31" (787 mm) to 36" (914 mm) (pair), painted finish	<input type="checkbox"/> NA
K-3265-P	Adjustable pedestal, provides height of 31" (787 mm) to 36" (914 mm) (pair), glazed finish	<input type="checkbox"/> NA

Product Specification

The wash sink shall be 6' (1829 mm) in length. Sink shall be made of cast iron with acid resistance enamel finish. Sink shall have faucet and soap dish drillings. Sink shall be Kohler Model K-3204-_____.

BROCKWAY™

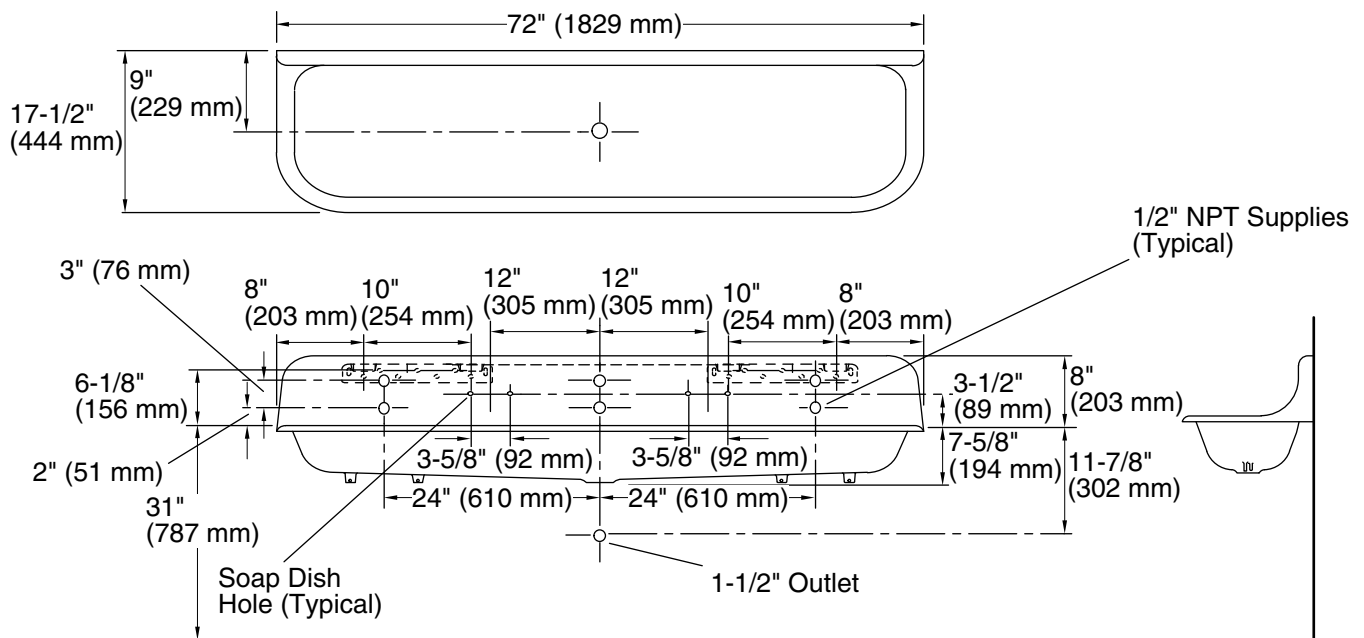
Technical Information

Fixture*:	
Basin area	68" (1727 mm) x 14" (356 mm)
Water depth	7" (178 mm)
Drain hole	Ø 2-1/8" (54 mm)
Faucet holes (for 3 faucets)	Ø 1-1/2" (38 mm)
Soap dish holes (for 2 soap dishes)	Ø 5/16" (8 mm)
* Approximate measurements for comparison only.	

Included components:	
Hangers	64503

Installation Notes

Install this product according to the installation guide.



Product Diagram