



# Springdale®

## 16-1/4" undermount single-bowl bar sink

### 11448

#### Features

- No faucet holes; requires wall- or counter-mount faucet
- 8" (203 mm) depth
- 3-3/4" (95 mm) drain opening
- Stainless steel with luster finish
- Rectangular bowl
- No faucet holes; requires wall- or counter-mount faucet
- Luster finish
- 11448 = single pack
- J11448 = 3 per pack
- T11448 = 20 per pack
- 16-1/4" (413 mm) x 17-3/4" (451 mm) x 8" (203 mm)
- Sink drain with strainer sold separately

#### Material

- Premium 18-gauge stainless steel

#### Installation

- Undermount
- Can be installed with or without reveal

#### Recommended Products/Accessories

7400 Stainless Steel Sink Drain and Strainer  
11862 Sink Rack  
K-23726 Drain treatment  
K-23729 Stainless steel cleaner

#### Included Components

91915 Hardware Kit



**ADA**

#### Codes/Standards

ASME A112.19.3/CSA B45.4  
ADA  
ICC/ANSI A117.1  
IAPMO Certification

#### STERLING® Stainless Steel Sinks Lifetime Limited Warranty

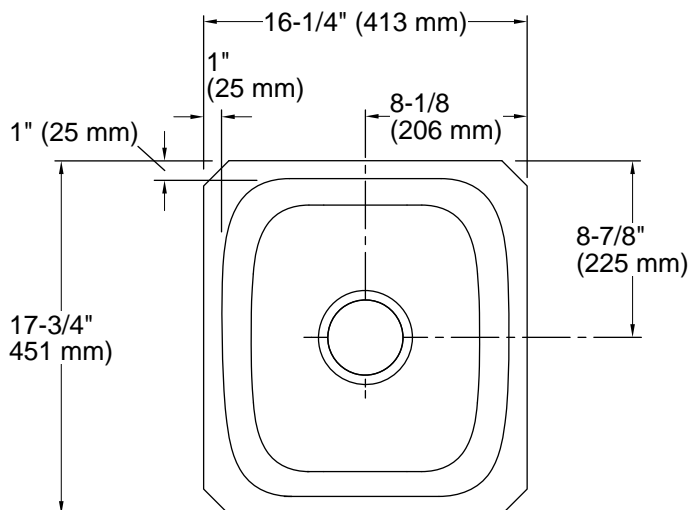
See website for detailed warranty information.

1-800-STERLING (1-800-783-7546)

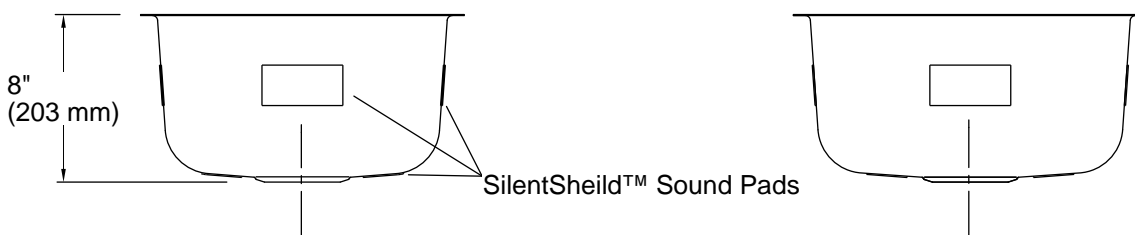
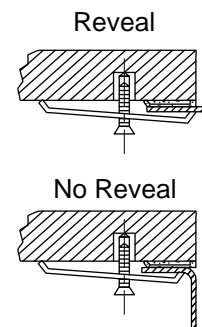
Kohler Co. reserves the right to make revisions without notice to product specifications.

For the most current Specification Sheet, go to [www.sterlingplumbing.com](http://www.sterlingplumbing.com).

12-30-2024 22:29 - US/CA



Mounting bracket assembly provides a secure installation.



**Technical Information**

All product dimensions are nominal.

Basin configuration: Single Bowl  
Min. base cabinet width: 21" (533 mm)

Bowl area (Only): Length: 14-1/4" (362 mm)  
Width: 15-3/4" (400 mm)  
Bowl depth: 8" (203 mm)  
Water depth: 8" (203 mm)

Drain hole: 3-3/4" (95 mm)

Template: 1315843-7, required, included

**Notes**

Install this product according to the installation instructions.

Measure your actual product for roughing-in details.

Use the supplied cut-out template to select either a hidden or exposed rim.

ADA compliant when installed to the specific requirements of these regulations.

ADA permits a parallel approach to wet bars.