

### INSTALLATION INSTRUCTIONS

P34600, P34601, P34606, P34608, P34610

## INSTALLATION INSTRUCTIONS

## THANK YOU FOR CHOOSING KALLISTA

We appreciate your commitment to KALLISTA quality products. Please take a moment to review this manual before you install your KALLISTA product. If you encounter any installation or performance problems, please do not hesitate to contact us at the phone number listed at the bottom of the page.

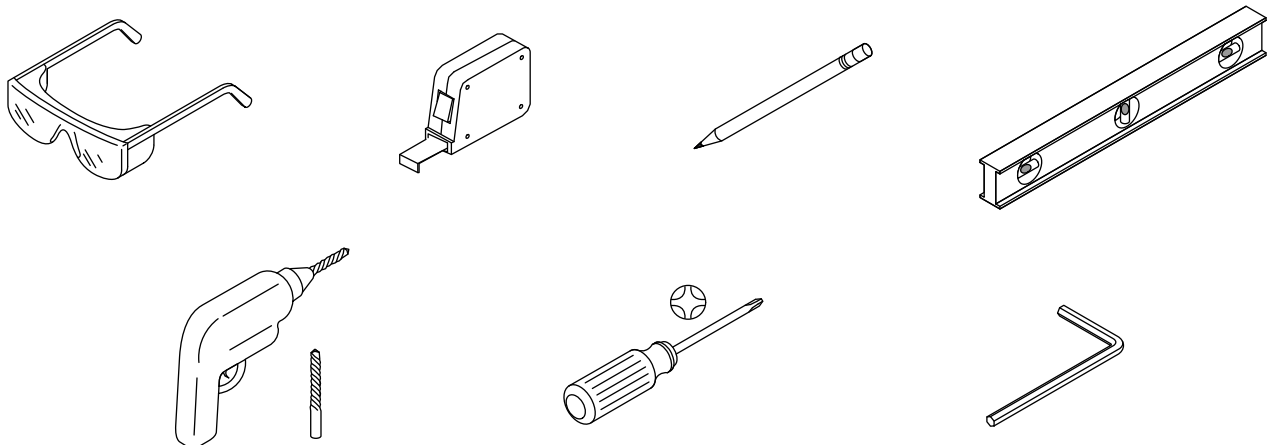
## BEFORE YOU BEGIN

**⚠ CAUTION: Risk of personal injury.** Do not install these products in any area where they are likely to be used inadvertently as a grab bar or support bar. These products are not designed or intended for use as a grab bar or support bar.

**NOTE:** The towel bar can be cut to the desired length. Be sure to adjust the distance between the wall plates accordingly.

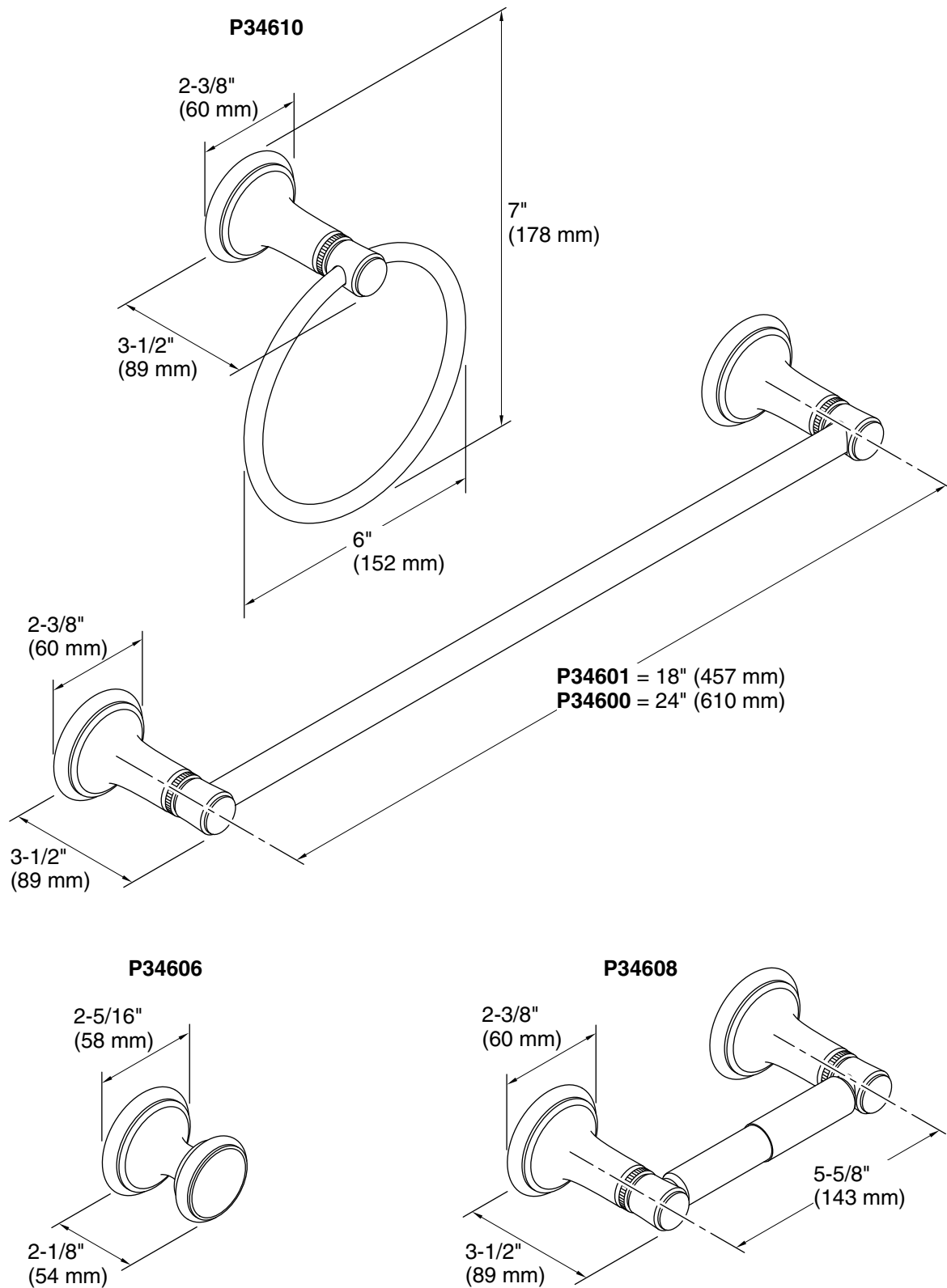
- These products should be located and mounted to a wall stud. While it is possible to mount them to any surface, a stud-mounted product will yield the best results.
- When installing the toilet paper holder, it is recommended that the holder be located 8" (203 mm) to 12" (305 mm) above the toilet rim, and 6" (152 mm) in front of the toilet bowl.
- Use a level to ensure that the center lines for the wall plates are vertical where applicable and the post center lines are horizontal where applicable.
- For proper installation, select a drill bit based on the type of finished wall material. If the accessory will be attached to:
  - ceramic tile, a 1/4" drill bit is required
  - drywall into a stud, a 1/8" drill bit is required.
  - drywall between studs, a 5/16" drill bit is required.
- Observe all local building codes.
- KALLISTA reserves the right to make revisions in the design of products without notice, as specified in the Price Book.

## TOOLS AND MATERIALS



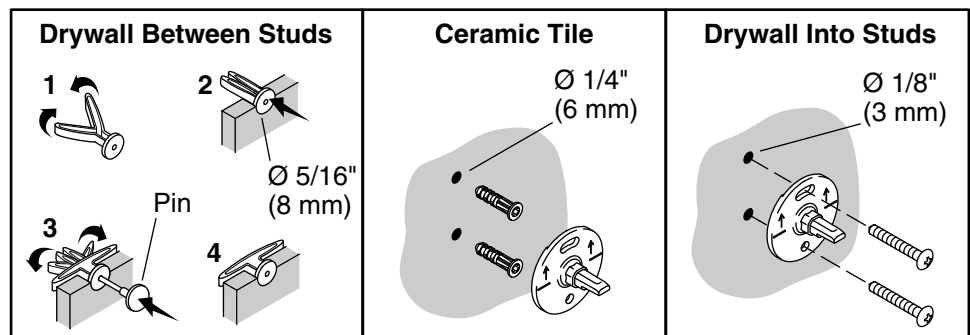
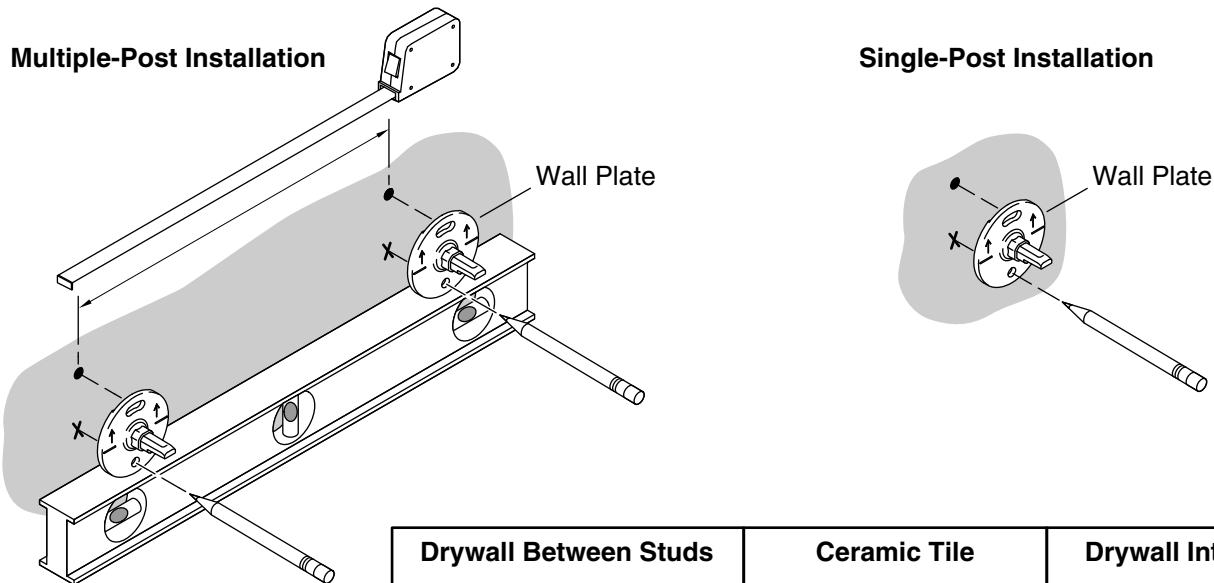
### INSTALLATION INSTRUCTIONS

#### ROUGHING-IN



### INSTALLATION INSTRUCTIONS

#### 1. INSTALL THE WALL PLATES



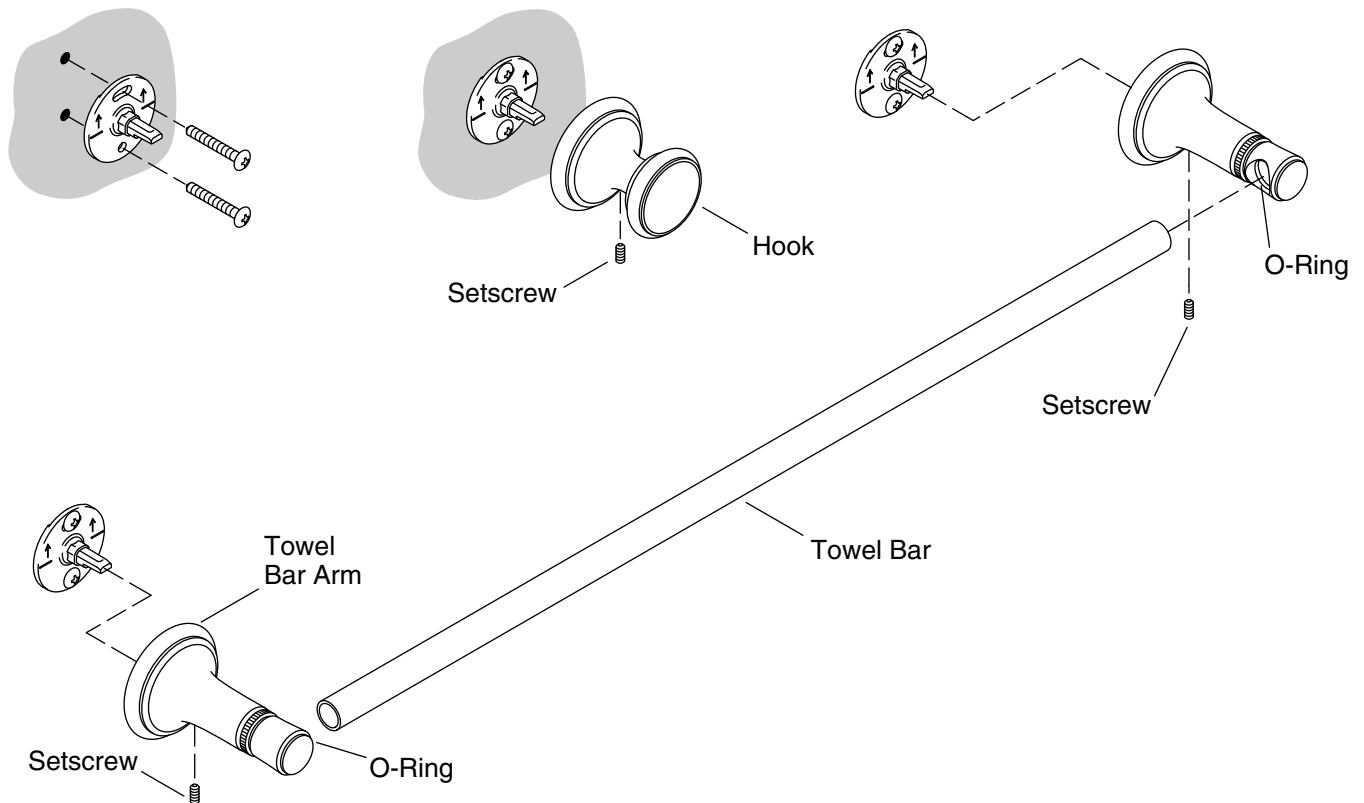
- Measure and mark the top hole locations for the wall plates.
- Align the wall plates with the marked top hole locations and mark the bottom hole for each wall plate.
- Make sure the wall plates will be level when mounted.

**NOTE:** Anchors have been supplied for both drywall and tile applications. If anchors are needed, select the correct anchors for the wall material.

- Drywall between studs:** Drill holes using a 5/16" drill bit. Use the provided pin to install the drywall anchors.
- Ceramic tile:** Drill holes using a 1/4" drill bit. Install the tile anchors.
- Drywall into studs:** Drill pilot holes using a 1/8" drill bit.

## INSTALLATION INSTRUCTIONS

## 2. INSTALL THE TOWEL BAR AND HOOK



- Attach the wall plates to the finished wall with the wood screws.

**Secure the Hook**

- Place the hook over the wall plate.
- Secure the hook to the wall plate with the setscrew.

**Secure the Towel Bar**

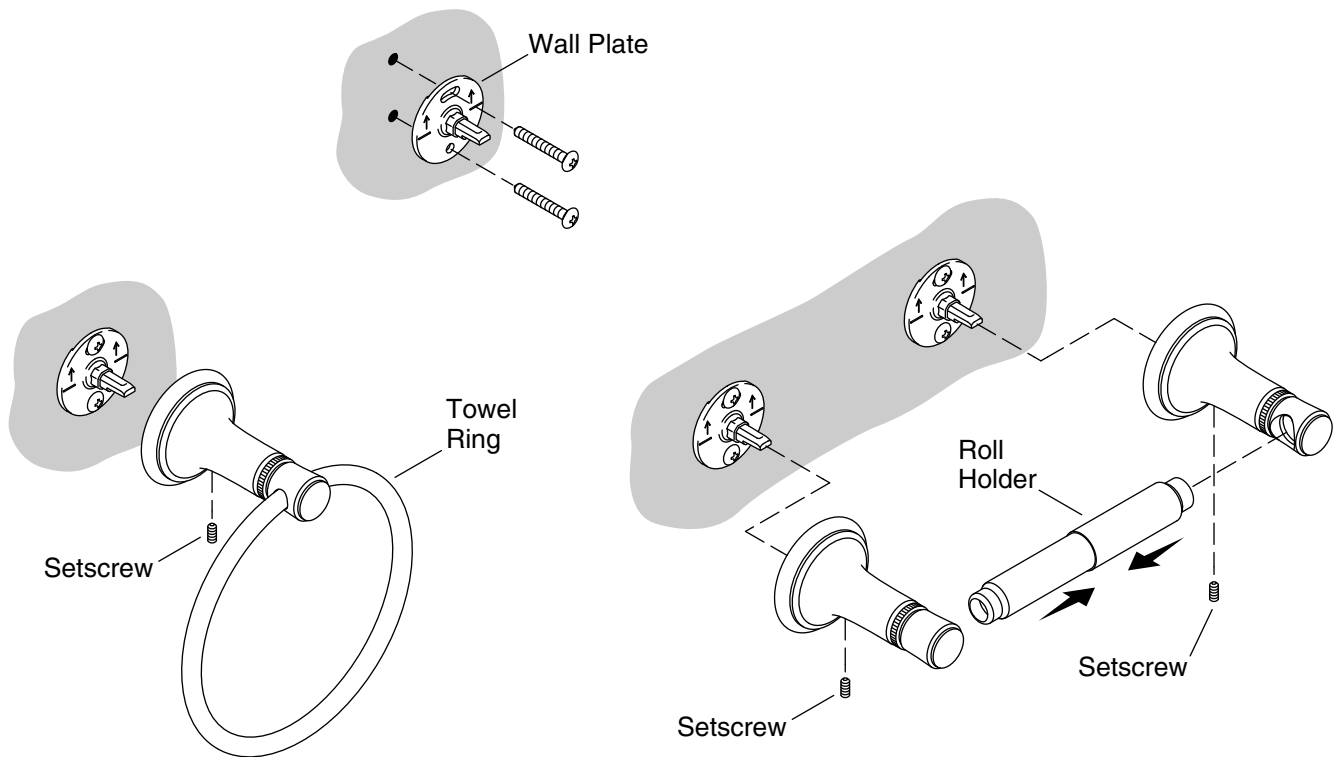
**NOTE:** The towel bar can be cut the desired length. Be sure to adjust the distance between the wall plates accordingly.

- Make sure the O-rings are installed in the towel bar arms.
- Wet the O-rings with water.
- Slide the towel bar arms into the towel bar.
- Place the ends of the towel bar arms over the wall plates.
- Secure the towel bar arms to the wall plates with the setscrews.

**NOTE:** The wall plates can be adjusted slightly to fine-tune their alignment with the towel bar arms.

## INSTALLATION INSTRUCTIONS

## 3. INSTALL THE TOWEL RING AND TOILET PAPER HOLDER



- Attach the wall plates to the finished wall with the wood screws.

**Secure the Towel Ring**

- Place the towel ring over the wall plate.
- Secure the towel ring to the wall plate with the setscrew.

**Secure the Toilet Paper Holder**

- Attach the right side toilet paper holder arm to the right side wall plate.
- Secure the arm to the wall plate with the setscrew.
- Repeat for the left side toilet paper holder arm.
- Compress the toilet paper roll holder and install into the toilet paper holder arms.