

FEATURES

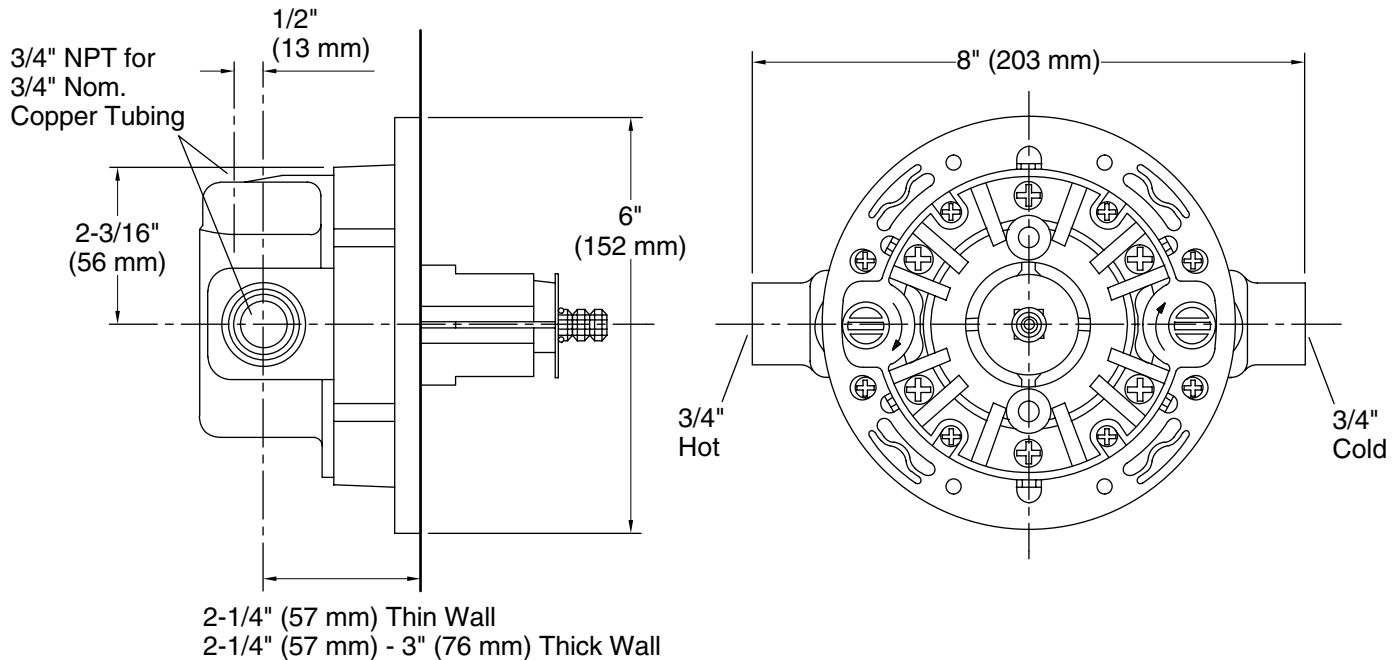
- Brass valve body
- Pressure-balancing diaphragm design valve
- One-piece diaphragm cartridge design for ease of maintenance
- Mixing valve cycles from "cold " to "hot "
- 3/4" NPT connections
- High-Temperature limit stop
- Integral shut-off valve stops
- Minimum operating pressure 15 psi (103.4 kPa)
- 13.0 gal/min (49.2 l/min) maximum flow rate at 45 psi (310.3 kPa)

CODES/STANDARDS APPLICABLE

Specified model meets or exceeds the following:

- ASME A112.18.1/CSA B125.1
- ASSE 1016

P29306



ROUGHING-IN NOTES

Avoid cross-flow conditions. Do not install a shut-off device on either valve outlet.

SPECIFIED MODEL

Model	Description	Finishes
P29306-WS	High Flow Pressure-Balancing Valve	<input type="checkbox"/> NA

We reserve the right to make revisions without notice in the design of products or in packaging unless this right has specifically been waived at the time the order is accepted.