

KOHLER®

INSTALLATION INSTRUCTIONS

安装说明书

黛诗
TOUCHLESS
Touchless Lavatory Faucet

11560T-CP 墙出水感应面盆龙头(艾丽维出水口)

安装之前

所有的资料是按最新出版的产品资料编写而成。科勒公司保留任何时候不经通知即可改变产品特性、包装或产品可供类型的权利。

说明书包括重要的安装、保养及清洁方面的内容，请把这些资料交给用户阅读。

注意事项：

1. 一定要先彻底冲洗供水管以清除管道中的杂质，使用水源为自来水或可供饮用水。
2. 请勿将强力及冲击施于产品，以免造成故障，引起漏水。
3. 安装、清洁龙头时，切勿损伤感应窗口表面，以免造成故障。
4. 安装时务必按照说明书的要求正确连接导线，所有安装完毕后方可接通电源。
5. 请勿使产品感应窗口靠近强紫外线或电磁场。
6. 修理面盆或龙头时，用黑色电工胶布粘住感应窗口。
7. 检查供水管有无损坏。如需要，进行替换。
8. 遵守当地管路安装条例。

BEFORE YOU BEGIN

All information is based on the latest product information available at the time of publication, Kohler Co. reserves the right to make changes in product characteristics, packaging, or availability at any time without notice. Please leave these instructions for the consumer. They contain important information.

Notes:

1. Flush the water supply pipes thoroughly to remove debris. Faucet is designed for tap water or potable water.
2. Do not attack the faucet with rough strength to avoid being damaged.
3. Do not damage the surface of sensing window when installing or cleaning the faucet.
4. Follow the instructions to make sure all the wires and switches are connected properly . Turn on the power supply after all the installation finished.
5. Do not put the faucet near strong ultraviolet or electromagnetic field.
6. Cover the sensing window with black tape when repairing lavatories.
7. Check the water supplier pipe, if need, replace it.
8. Comply the local rule of pipe installation.

使用说明

手伸到龙头出水口下方，水龙头出水。手离开后，水龙头自动止水。请在通电10分钟后开始使用该系统。

OPERATION INSTRUCTIONS

Put your hand in the sensing range, the faucet should turn on and will turn off after leaving. Don't use this system until the power is on for 10 minutes.

技术参数

电源：2节7号碱性电池（LR03X2）
检测时间：小于1秒
关阀延时：小于2秒
感应距离：自动调节，距感应窗口最远约40cm
(感应距离的测定是以30cm×30cm白纸为反射平面)
流量：水压为0.1MPa时，流量不大于0.15L/s
超时用水控制：超时用水约1分钟，自动止水

环境温度：1~55℃
进水温度：0.5~71℃
适用水压：0.05~0.86MPa

PARAMETERS

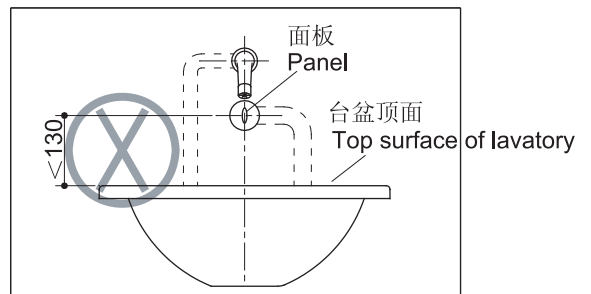
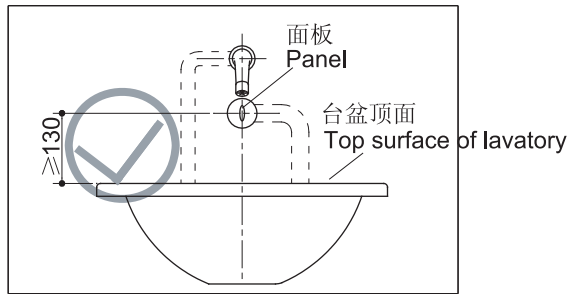
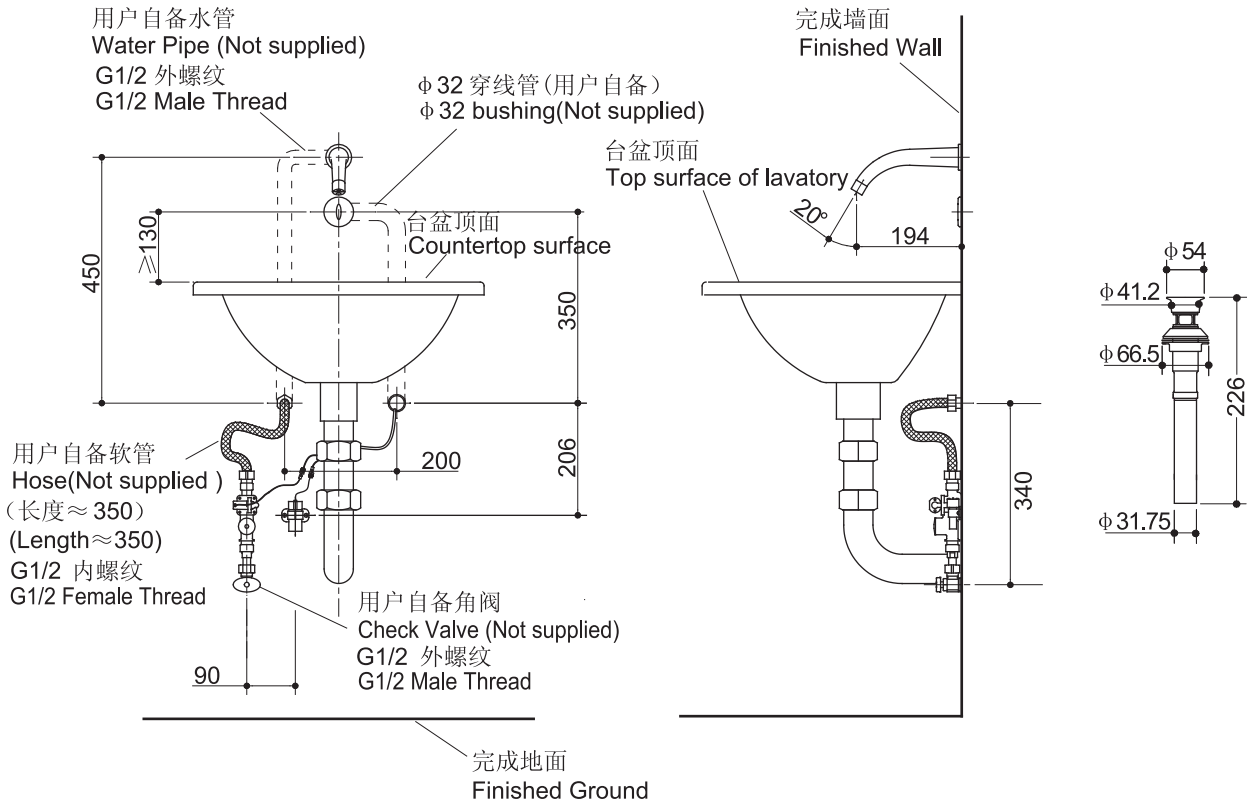
Power: 2 "AAA" size alkaline batteries
Sensor Duration: Less than 1s
Shut-off Delay: No more than 2s
Sensing Distance: Automatic adjustment, and no more than 40cm. (The measurement of sensing distance is reflected by a 30cm×30cm white plate.)
Flow Rate: No more than 0.15L/s at 0.1MPa.
Overtime Flowing Control: Automatically stop flushing when the faucet senses an object for more than 1 minute continuously

Ambient Temperature: 1~55℃
Supply Water Temperature: 0.5~71℃
Supply Water Pressure: 0.05~0.86MPa

安装尺寸

ROUGH-IN DIMENSIONS

单位: 毫米
Unit: mm



注意: 安装该产品请参考上图尺寸范围, 应特别注意面板中心到台盆边缘高度尺寸必须保证不小于 130mm, 最大视台盆大小适当调节, 否则影响产品感应效果和使用舒适度。

Notice: Please install the product according to the rough-in as shown in figure. Especially make sure the distance between center of panel and top surface of lavatory is not less than 130mm. The max. distance is adjusted according to the size of lavatory, or it will effect sensing and comfort.

安装步骤

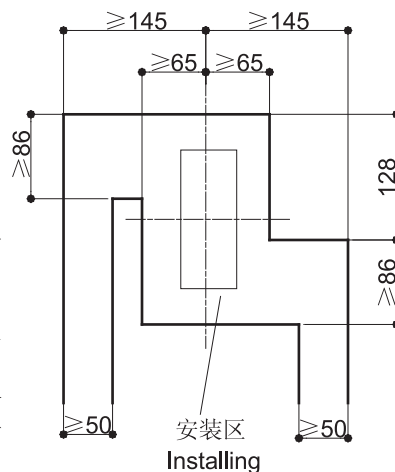
如何安装暗装架组件

根据台盆大小确定安装方式，确保龙头出水中心正对台盆中心位置。

一. 凿墙安装方式

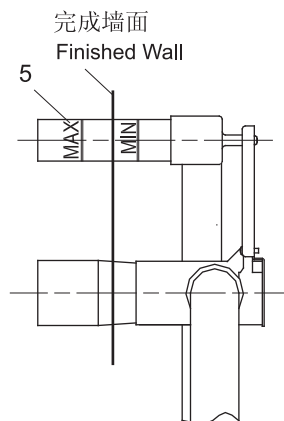
1. 凿挖安装槽坑

根据安装尺寸图确定安装位置，凿出槽坑，埋设供水管，暂不供水。槽深不小于105mm，尺寸如图。安装位置应避免光源直射或反射进入感应窗口，不能在感应器正对面有易反射的物品（如镜子、光亮不锈钢件及其它镜面物体等）；不能靠近强烈紫外线或电磁场。



2. 固定暗装架组件

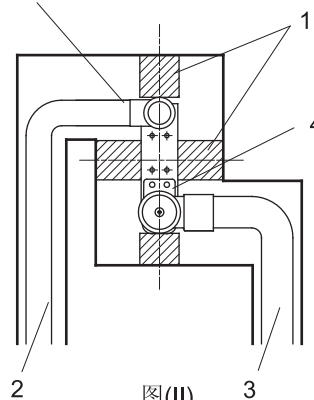
将出水管(2)、穿线管(3)与暗装架组件(4)连接，注意不要对暗装架用力过大以免造成变形，将安装好后的组件放入槽坑内。



图(I)
Fig.(I)

不能拿掉出水接头保护罩(5)，根据出水接头保护罩(5)上标识的最大(MAX)、最小(MIN)埋入深度调整垫块的厚度，估算使张贴后的瓷砖处在最大(MAX)最小(MIN)安装位之间，如图(I)。

G1/2螺纹
G1/2 Thread



图(II)
Fig.(II)

用垫紧块(1)将其固定平整、端正，如图(II)。保证暗装架组件与墙面垂直，不能歪斜。

INSTALLATION

How to Install Bracket Assy.

Determine installation method per lavatory size, and make sure the C/L of faucet outlet aligned with the center of the lavatory.

Recessed Installation

1. Chisel out a Slot

Determine the installation location per rough-in. Chisel out a slot and lay down the water supplies. Turn off the water supply temporarily. The depth of the slot should be no less than 105mm, and its size as shown in figure. The installation area shall be located at the place where no direct light is allowed to enter or reflected into the sensing window, where no objects susceptible to reflection are placed at the frontal head(e.g., mirror, polishing stainless steel and some other polished plate); where no strong ultraviolet radiation or electromagnetic field is found nearby.

2. Fix Bracket Assy.

Connect outlet(2), bushing(3) and bracket assy. (4) together. Be careful not to pose excessive force on bracket so as to avoid distortion, and place the completed assy. into the slot.

Do not remove outlet connection escutcheon(5). Adjust the thickness of tabs depending upon the maximum and minimum embedding depth marked on outlet connection escutcheon(5) to make the finished tiles located between the maximum and minimum mark as shown in Fig.(I).

Secure the completed assy. with tabs to make it flat and upright as shown in Fig. (II). Make the bracket assy. vertical with the finished wall and avoid deflection.

二. 非凿墙安装方式

制做一木制固定架(7), 深度不小于105mm, 估算使张贴后的瓷砖处在保护罩(5)上标示的最大(MAX)最小(MIN)安装位之间, 如图(I). 将出水管(2)、穿线管(3)与暗装架组件(4)连接, 注意不要对暗装架组件(4)用力过大以免造成变形。将安装好的组件放入固定架(7)内, 用螺钉(6)将暗装架组件(4)固定在固定架(7)内, 在出水管(2)上加装一个金属管卡(8), 使暗装架组件(4)固定平整、端正, 如图(III)。保证暗装架组件(4)与墙面垂直, 不能歪斜, 否则影响工作。

在装饰板(9)上加工如图(IV)所示的两个孔, 将其固定在固定架(7)上。

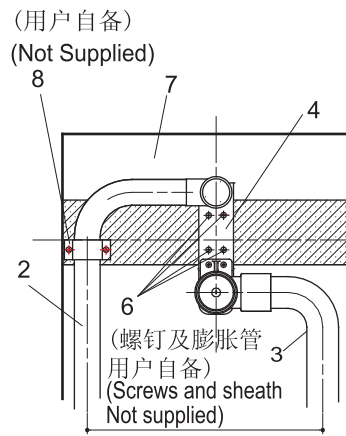


图 (III)
Fig.(III)

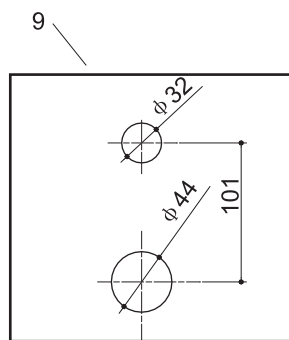


图 (IV)
Fig.(IV)

Non-Recessed Installation

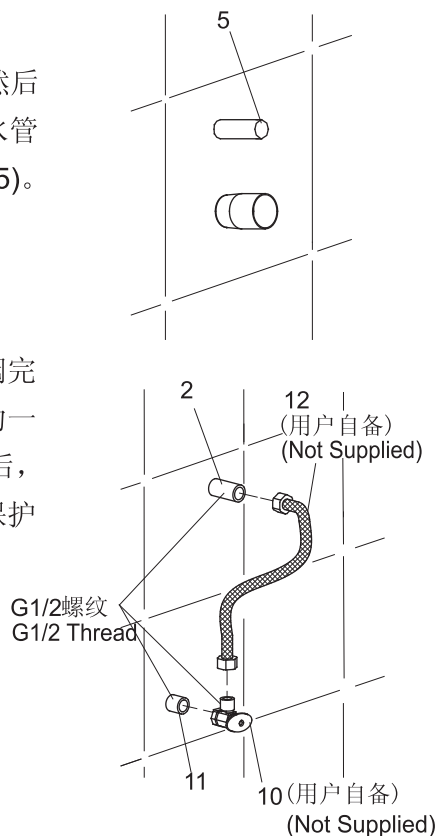
Prepare a wooden fixing bracket with a depth no less than 105mm. Make the finished tiles located between the maximum and minimum mark as shown in Fig.(I). Connect outlet (2), bushing (3) and bracket assy. (4). Do not pose excessive force on bracket so as to avoid distortion. Place the completed assy. into the fixing bracket. Fix the bracket to the fixing bracket with bolts. Install another metal pipe clip to make the completed assy. flat and upright as shown in Fig. (III). Make the bracket assy. vertical with the wall and avoid deflection.

Drill two holes on the decoration panel (9) as shown in Fig.(IV) and then fix it to the fixing bracket.

如何安装进水管

将角阀(10)与进水管(11)连接, 然后用软管(12)连接角阀(10)和出水管(2), 暂时拿掉出水接头保护罩(5)。

在出水接头前放一水桶, 将角阀完全打开, 打开供水系统, 通水约一分钟, 确认管道连接处无渗漏后, 关闭供水系统再装上出水接头保护罩(5)。

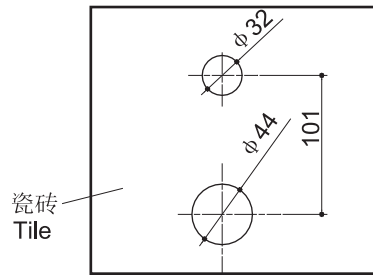


How to Install Inlet

Connect check valve (10) and inlet (11) together, and use hose (12) to connect check valve and outlet. Remove outlet connection escutcheon (5).

Put a bucket in front of the outlet connection, turn on the check valve completely to open water supply. After water running for about one minute, confirm no leakage in joints, turn off water supply and install outlet connection escutcheon again.

用灰浆填埋槽道, 在瓷砖上打好孔如图(V), 张贴瓷砖。



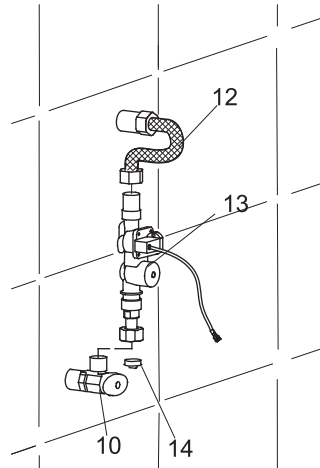
图(V)
Fig.(V)

Fill slurry into the slot and drill holes on tiles as shown in Fig.(V). Lay the tiles.

如何安装主阀体组件

关闭角阀(10), 松开软管(12)与角阀的连接。

将主阀体组件(13)进水口处的保护帽(14)旋出, 将主阀体组件(13)进水口与角阀(10)连接, 出水口与软管(12)连接。注意主阀体组件与墙面保持平行。主阀体进水口处平垫不要遗漏, 与角阀连接牢固。



How to Install Valve Assy.

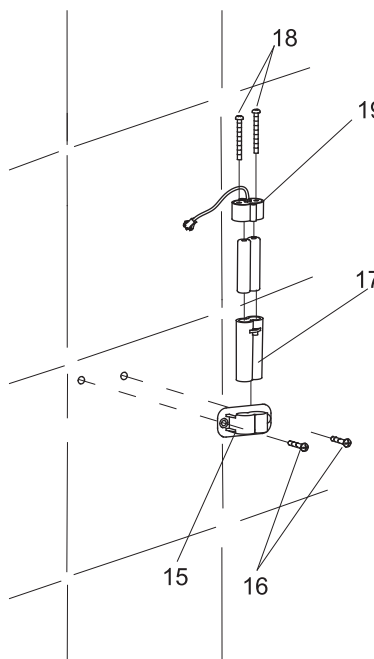
Turn off check valve (10), and loosen the connection of hose (12) and check valve.

Revolve out the protection cap (14) on the inlet of valve assy(13), connect the inlet of valve assy(13) with check valve(10), and outlet with hose(12). Please note the valve assy. should be paralleled with the wall. Do not lose the washer on the inlet of valve assy to make sure it firmly connected with check valve.

如何安装电池

1. 根据安装尺寸图确定电池盒支架(15)安装位置。打孔, 打入膨胀管, 用自攻螺钉(16)固定电池盒支架(15)。

2. 取出电池盒组件(17), 拧开螺钉(18), 按电池盒盖(19)上的正负极标示装入2节7号电池, 锁紧电池盒盖(19)的螺钉(18)后, 将电池盒组件(17)放入电池盒支架(15)。注意电池极性不能装反, 新旧电池不能混用。



How to Install Batteries

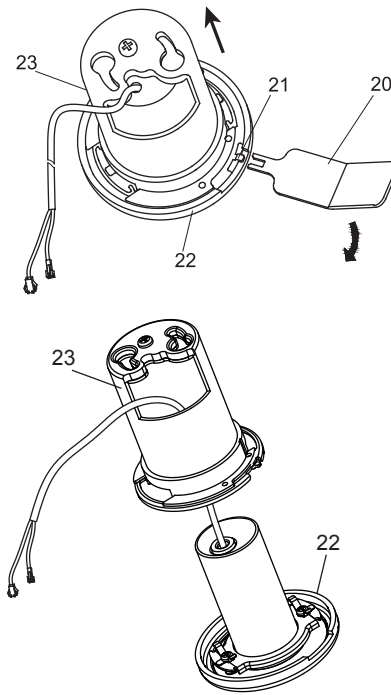
1. Determine the installation location of battery box bracket (15) per rough-in. Drill holes and place sheath in it. Fix battery box bracket (15) with screws (16).

2. Take out battery box assy. (17), and loosen the screws. Place 2 "AAA" batteries into the battery box according to negative and positive pole mark on the cover of battery box(19). Tighten the screws on the cover of battery box (19), and put battery box into the battery box bracket(15). Please do not mistake the battery polar, and do not mix the new and used batteries together.

如何安装固定架组件

1. 拆卸固定架组件

取出面板、固定架组件，松开缠绕在固定架组件(23)外圈的信号线，如图用面板钥匙(20)顺时针拨动固定架活动板(21)，当松开后按图示方向将固定架组件(23)与面板组件(22)分离。拆卸时应戴上干净的手套，以免划伤面板。



How to Install Fixing Bracket Assy.

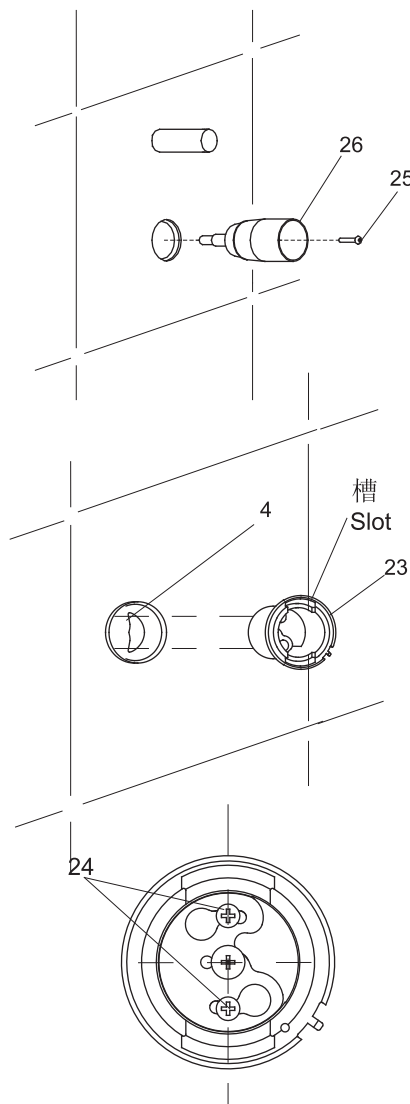
1. Disassemble Fixing Bracket Assy.

Take out panel and fixing bracket assy., and loosen the signal wire enlaced around the fixing bracket assy. (23). Move the active plate of fixing bracket (21) with panel key (20) clockwise as shown in figure. Separate the fixing bracket assy.(23) from panel assy.(22) according to the direction shown in the figure. Wear clean gloves during disassembly so as to avoid scratching the panel.

2. 安装固定架组件

拧下螺钉(25)，揭去灰浆模套(26)。

将固定架组件(23)放入暗装架组件(4)对准螺钉(24)后逆时针旋转，确认固定架上的槽为竖直方向后，再锁紧螺钉(24)。锁紧螺钉(24)时力度适中，不能拧太紧以免损坏暗装架。



2. Install Fixing Bracket Assy.

Loosen screws (25), remove the slurry mold (26),

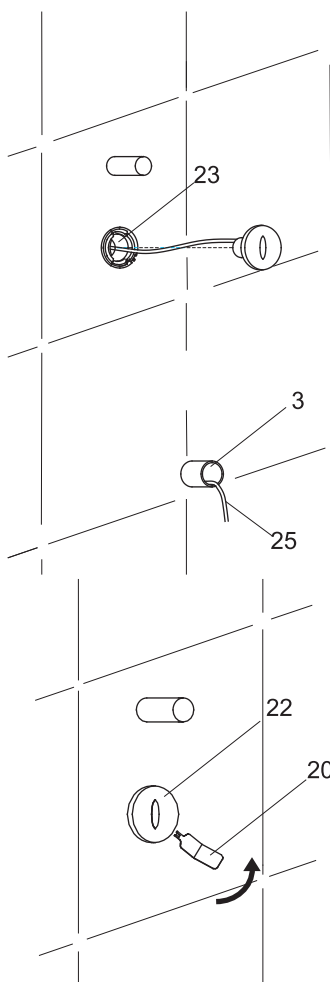
Place the fixing bracket assy. (23) into the bracket assy.(4), and turn screws (24) counterclockwise. Tighten screws (24) after making sure the slot of fixing bracket is in vertical direction. Pay attention to pose appropriate force in order to avoid damaging to the bracket assy..

如何安装面板

1. 将信号线(25)穿过固定架组件(23), 通过穿线管(3), 从墙内引出。穿信号线时不要用力过大以免扯断。

2. 面板组件(22)缺口向右下装入固定架组件(23), 调整至感应窗口垂直, 如图向墙内压住面板, 用面板钥匙(20)逆时针拨动固定架活动板, 将面板组件(22)固定。

注意: 安装面板时应戴上干净的手套, 以防水泥或沙粒损伤表面。当面板感应窗口不垂直于水平面时, 取下面板组件(22), 松开固定架的螺钉(24), 适当转动固定架组件(23), 使感应窗口垂直, 再拧紧螺钉即可。



How to Install Panel

1. Pull the signal wire (25) through fixing bracket assy. (23) and educe it from inside of the wall via brushing (3). Do not pose excessive force to avoid the wire being torn.

2. Face the gap of panel assy. downwards and right, put it into the fixing bracket assy. (23) and make the vertical with sensing window vertical, press it against the wall, move the active plate of fixing bracket with panel key (20) counterclockwise to secure the panel assy. (22).

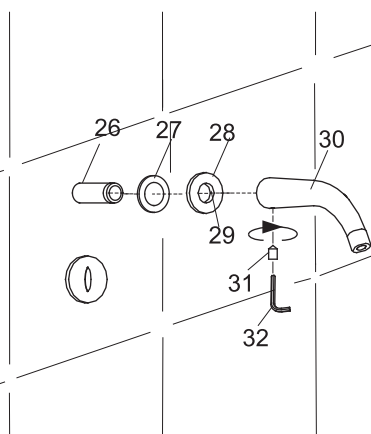
NOTE: Wear clean gloves during the installation process to prevent damage to the surface caused by cement or sand. When the panel sensing window is not vertical with the horizontal plane, take out the panel assy.(22), loosen screws of the fixing bracket (24), rotate the fixing bracket assy.(23) properly to make it vertical with the sensing window, and then tighten the screws.

如何安装龙头

1. 取下主体出水接头(26)上的保护罩(5)。

2. 将垫片(27)嵌入装饰环(28)槽中, 将装饰环(28)套入主体出水接头(26)上后推到与墙面接触。注意装饰环(28)槽内的O形圈(29)不要遗失。

3. 将龙头外壳(30)装到主体出水接头(26)上使龙头外壳(30)同装饰环(28)接触, 调整龙头水嘴方向使其垂直于轴线向下, 用3mm内六角扳手(32)将锁紧螺钉(31)顺时针旋入龙头外壳(30)从而固定龙头外壳(30)。



How to Install Faucet

1. Remove the protection escutcheon(26) from the outlet connection of valve assy. (5).

2. Embed gasket (27) into the slot of decoration ring (28), set the decoration ring on the outlet connection (26) of the valve assy., and push it backward to make it touch the wall. Do not lose the O-ring (29) in the slot of decoration ring (28).

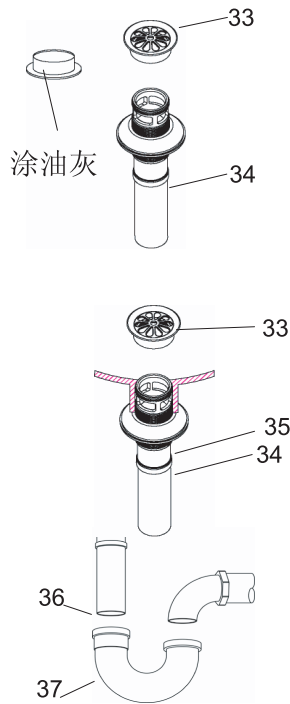
3. Install the spout (30) to the outlet connection (26) of the valve assy. and make it touch the decoration ring (28). Adjust the direction of the faucet spout downwards and make it vertical with axes. Tighten the locking screw (31) into the spout (30) with 3mm hex wrench (32) clockwise to secure the spout (30).

如何安装排水组件

旋下排水器盘片(33), 在其底面沿周围涂上一圈密封油灰。把排水本体(34)由底下插入面盆。把排水器盘片(33)旋入排水本体(34)。从下方用手拧紧锁紧螺母(35), 去除多余的油灰。

注意:在锁紧螺母(35)拧紧后, 不可再调整排水本体的位置, 否则会破坏油灰密封。

把尾管(36)接上存水弯(37), 尾管需插入25mm~55mm之间。



How to Install the Drain

Screw off the drain flange (33) from drain. Apply a ring of plumbers putty around underside of the drain flange(33). Insert the drain body(34) into the underside of the lavatory.Thread the drain flange (33) onto the drain Body (34). Tighten the locknut (35) by handfrom the underside of the fixture. Removeany excess putty.

NOTE: Do not try to change the position of the drain after the locknut(35) is tightened, or you may break the putty seal.

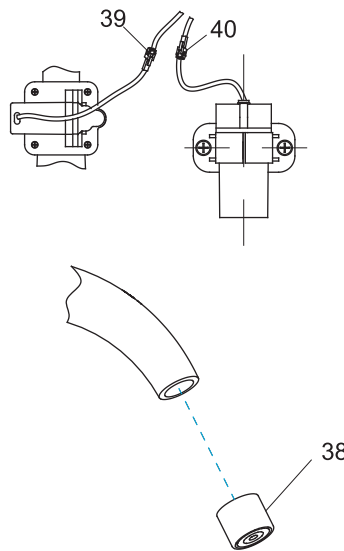
Connect the tailpiece(36) to the trap(37). The tailpiece should extend 25mm to 50mm into the trap.

安装结果检查

1. 检查并确保所有的衔接处都已拧紧。打开排水系统及供水系统, 检查并修理有漏水的接口。

2. 清理面盆四周所有的杂物。分别连接电源线(40)和电磁阀线(39), 进入自动调节感应范围阶段。十分钟自动调距结束后, 拆下龙头起泡器(38), 手伸到出水口下方感应范围内让水流出约一分钟以清除杂质, 然后再装回起泡器(38)。

注意:刚接通电10分钟内为自动调节感应范围的待机状态, 龙头前方不得有其它物体, 在该时间内龙头不出水。



INSTALLATION CHECKOUT

1. Verify and insure all the connections are firmly tightened. Shut on drainage system and water supply system, check and repair all connection for leakage.

2. Clear up the lavatory. Connect power cord (40) and solenoid valve wire (39) separately, and it enters automatic adjustment and sensing phase. After automatic distance adjustment running for about 10 minutes, remove the faucet aerator (38). Extend your hands to the induction area under the water outlet, let the water flow out for about one minute to clear the impurities, and then install the aerator (38) back.

NOTE:The first 10 minutes after power connection is defined as the stand-by phase of the faucet and no water will come out in this phase. Do not place any object in front of the faucet during this period.

清理说明

适用于所有加工处理过的表面, 以中性肥皂水清洗镀层表面, 再以干净的软布彻底擦干整个表面。许多清洁剂, 比如氨水、去污粉及洁厕灵等, 会对电镀表面造成伤害, 切忌使用。

有磨损性的清洁剂也不可适用于科勒牌的水龙头及其配件上。

CLEANING INSTRNCTIONS

All Finishes: Clean the finish with a mild soap and warm water. Wipe entire surface completely dry with a clean soft cloth. Many cleaners may contain chemicals, such as ammonia, chlorine, toilet cleaner etc. which could adversely affect the finish and are not recommended for cleaning.

Do not use abrasive cleaners or solvents on Kohler faucets and fittings.

用户须知

IMPORTANT CONSUMER INFORMATION

1. 感应指示灯的各种闪烁情况

感应指示灯是使用者了解感应龙头有效、唯一的途径。所以明白了感应指示灯闪烁所代表的含义，可以正确使用感应龙头：

- (1) 快速闪烁，表示感应龙头正处于通电后的十分钟自动调节阶段。期间，安装者、使用者不得干扰其自动调节，感应范围内不要放置物体。
- (2) 间隔约2秒钟连续闪烁，表示电池耗尽，已停止工作，等待使用者更换电池。
- (3) 在正常工作情况下，当有物体被感应时，龙头出水，感应指示灯闪烁一次。（龙头关闭，感应指示灯不闪烁。）

1. Note of the Indicator Flashing

The indicator is the only and effective way to learn the faucet's working conditions. So the users can use the sensor faucet correctly with knowing the meaning of the sensor indicator's flashing.

- (1) Fast flashing means the faucet is in the period of adjusting sensing distance after power on for 10 minutes. During these 10 minutes, please do not put objects in the sensing range.
- (2) When the indicator flashes every 2 seconds, the batteries are out of power. The faucet can't work. Please replace batteries.
- (3) In normal condition, the water will flow and the indicator will flash one time when objects are inducted. (The indicator does not flash when faucet stops flowing)

2. 超时出水控制

连续在感应状态下使用约一分钟，龙头自动止水。自动止水后，手或物体离开感应范围后，再次进入感应范围内，龙头正常工作，否则无反应。

2. Overtime Flowing Control

When the faucet works for about 1 minute continuously, the water will be shut off automatically. After that, objects must be removed from the sensing range. Then the water will flow when objects go into the sensing range again. Otherwise, the faucet will not work.

3. 自动止水智能控制

物体进入感应范围内被感知，龙头自动出水。若15秒钟静止不动，水龙头自动止水。自动止水后，手或物体离开感应范围后，再次进入感应范围内，水龙头正常工作，否则无反应。

3. Intelligent Stopping Flowing

Water will flow out when object are put into the sensing range. If the objects hold still for 15 seconds, the faucet will shut off automatically. After that, objects must be removed from the sensing range. Then the water will flow when objects go into the sensing range again. Otherwise, the faucet will not work.

维护保养

MAINTENANCE

修理龙头或面盆

修理龙头或面盆时，不必拆下感应器，只需用电工胶布粘住感应窗口，您便可放心修理设备。不要用强力胶布，因为粘痕会难以清除，而产生误动作。

Lavatory or Faucet Repair

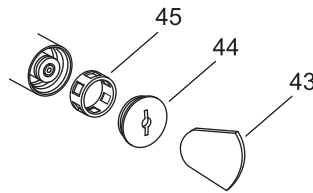
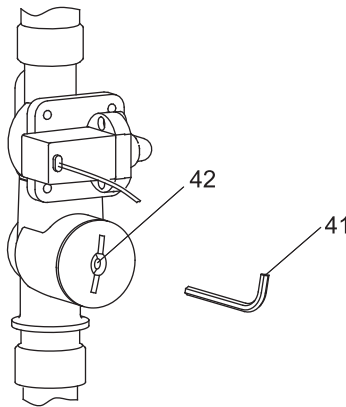
When repairing, you don't have to dismount the sensor. Cover the sensing window with tape and work with ease. Please note not to use very adhesive tape in case the scar will be hard to remove.

清洗过滤装置

该感应龙头的阀体组件内已包含了优良的过滤装置。如管内杂质过多或水质较差，长期使用会引起出水情况不良。请按以下步骤清洗过滤装置：

- 1)用内六角扳手(41)顺时针方向拧紧主阀体组件调节螺栓(42)，关闭主阀体组件；
- 2)用专用滤网钥匙(43)逆时针方向旋下主阀体组件固定螺帽(44)；
- 3)取出滤网(45)，冲洗完毕后重新装入；
- 4)用专用滤网钥匙(43)顺时针方向拧紧主阀体组件固定螺帽(44)，再用内六角扳手(41)逆时针方向打开主阀体组件的调节螺栓(42)，即可。

必要时，也可旋下龙头起泡器，冲洗干净后重新旋紧。从而改善出水情况。



Clean the Filtration System

The faucet includes high quality filtration system. If there is a lot of debris in the supply pipes or the quality of water is bad, it will cause the flow in bad condition. Please clean the filtration system as following steps:

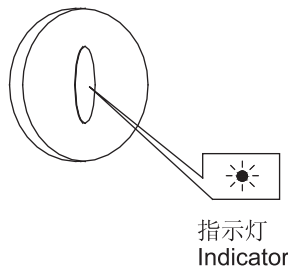
- 1) Turn clockwise the adjustment bolt (42) on with the hex wrench (41), close the valve assy..
- 2) Screw off the valve assy. caps (44) counterclockwise with the special key (43);
- 3) Remove and clean the filters (45), then reinstall it;
- 4) Tighten the valve assy caps (44) clockwise with the special key (43). Turn counterclockwise the adjustment bolts (42) on valve assy. with the hex wrench (41).

If necessary, you can screw off and clean the aerator of the faucet, then reinstall it to improve the flow condition.

电池的更换

发现感应指示灯 \odot 间隔约2秒钟连续闪烁，代表装置电池耗尽，已停止工作，等待使用者更换电池。

更换电池参照如何安装电池"步骤2"更换新电池后，10分钟后开始使用该系统。



Replacing the batteries

When the batteries are exhausted, the indicator \odot will flash every 2 seconds and the sensor will not work until the new batteries replaced. Replace the batteries per the step 2 of "How to install battery". Use the faucet 10 minutes after replacing batteries.

常见故障排除

以下部分故障现象可通过指示灯闪烁情况识别。（参考“感应指示灯的各种闪烁情况”）

现象	原因	处理方法
不出水 (感应指示灯不闪烁)	无电源或接线端未插好、插错 感应范围内有其它物体 感应窗口较脏	检查电源和接线端情况 移开物体 清洁窗口
感应指示灯每2秒闪烁一次而不出水	装置电池耗尽 接线端接触不良	检查电源 重新连接接插件
感应指示灯闪烁不出水	刚装机完毕 止水阀或角阀关闭 起泡器脏堵	等待10分钟 打开止水阀和角阀 清洗起泡器
感应指示灯闪烁出水量小	止水阀或角阀是否彻底打开 过滤装置堵塞 起泡器脏 水压太低	用内六角扳手逆时针旋转止水阀的调节螺栓并完全打开角阀 清洗过滤装置 清洗起泡器 检查供水系统
约一分钟以内不止水 (感应指示灯不闪烁)	感应范围内有物体	移开物体

如按以上操作仍未解除故障，请与销售商或科勒(中国)投资有限公司联系。

请勿随意拆卸龙头其它部件。

TROUBLE SHOOTING

Some trouble symptoms can be identified by the indicator's flashing. (Refer to "Note of the Indicator Flashing")

Symptoms	Probable Causes	Corrective Action
No water flow (Indicator does not flash)	No power supply or wrong connection Object in sensing range Dirt on the sensing window	Check the power supply and the connection Remove the object Clean the sensing window
Indicator keeps flashing per 2s and no water flow	Batteries are out of power Connector may not connect well	Check the power supply Reconnect the connector
No water flow while the indicator flashes	Just finishing installation The check valve or angle valve is closed Aerator is blocked	Wait for 10 minutes Open the check valve or angle valve Clean the aerator
Low water flow while the indicator does not flash	The connector assemblies are not open completely The filter is blocked Aerator is dirty The supply water pressure is lower	Turn counterclockwise the adjustment bolts on connector assemblies with the hex wrench Clean the filter Clean the aerator Check the water supply system
Keep water out within 1 minute (indicator does not flash)	Object in sensing range	Remove object

Please contact with distributor or Kohler China Investment Co., Ltd., if the trouble remains after above-mentioned actions are taken.
Please do not disassembly the other parts of the faucet freely.