

### URINAL K-4960-ER

#### Features

- Vitreous china
- Washout
- 3/4" rear spud
- Includes removable beehive strainer, inlet and outlet spuds, and hangers
- 0.5 gpf (1.9 lpf) or 1.0 gpf (3.8 lpf)
- 14-1/8" (359 mm) extended rim
- WaterSense® compliant when used with WaterSense flushometer

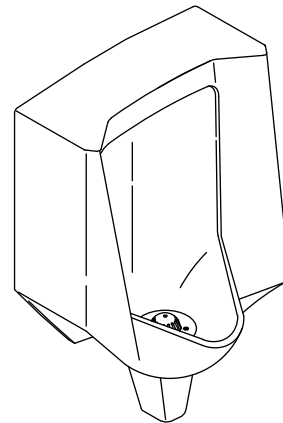
ADA CSA B651



#### Codes/Standards Applicable

Specified model meets or exceeds the following:

- ADA
- ICC/ANSI A117.1
- CSA B651
- ASME A112.19.2/CSA B45.1
- EPA WaterSense®



#### Colors/Finishes

- 0: White
- Other: Refer to Price Book for additional colors/finishes

#### Accessories

- CP: Polished Chrome

#### Specified Model

Model	Description	Colors/Finishes	
K-4960-ER	3/4" rear spud urinal	<input type="checkbox"/> 0	<input type="checkbox"/> Other_____
Recommended Accessories			
K-10675	WAVE exposed washout urinal flushometer – 0.5 gpf (1.9 lpf)	<input type="checkbox"/> CP	
K-10676	WAVE exposed washout urinal flushometer – 1.0 gpf (3.8 lpf)r	<input type="checkbox"/> CP	
K-10958	Touchless DC washout urinal flushometer – 0.5 gpf (1.9 lpf)	<input type="checkbox"/> CP	
K-10960	Touchless DC washout urinal flushometer – 1.0 gpf (3.8 lpf)	<input type="checkbox"/> CP	
K-13518	Manual washdown urinal flushometer – 1.0 gpf (3.8 lpf)	<input type="checkbox"/> CP	
K-13519	Manual washdown urinal flushometer – 0.5 gpf (1.9 lpf)	<input type="checkbox"/> CP	

#### Product Specification

The washout urinal shall be made of vitreous china with a 3/4" rear spud. Urinal shall have a 14-1/8" (359 mm) extended rim. Urinal shall include a removable beehive strainer, inlet and outlet spuds, and hangers. Urinal shall use 0.5 gpf (1.9 lpf) or 1.0 gpf (3.8 lpf). Urinal shall be Watersense compliant when used with WaterSense flushometer. Urinal shall be Kohler Model K-4960-ER-\_\_\_\_\_.

# BARDON™ SUPERIOR

## Technical Information

Fixture*:	
Configuration	Rear spud
Water per flush	0.5 gal (1.9 L) or 1.0 gal (3.8 L)
Spud inlet size	3/4"
Included components:	
3/4" inlet spud	18376
2" outlet spud	18766
Strainer	85061
Hanger (2 required)	64512

## Installation Notes

Install this product according to the installation guide.

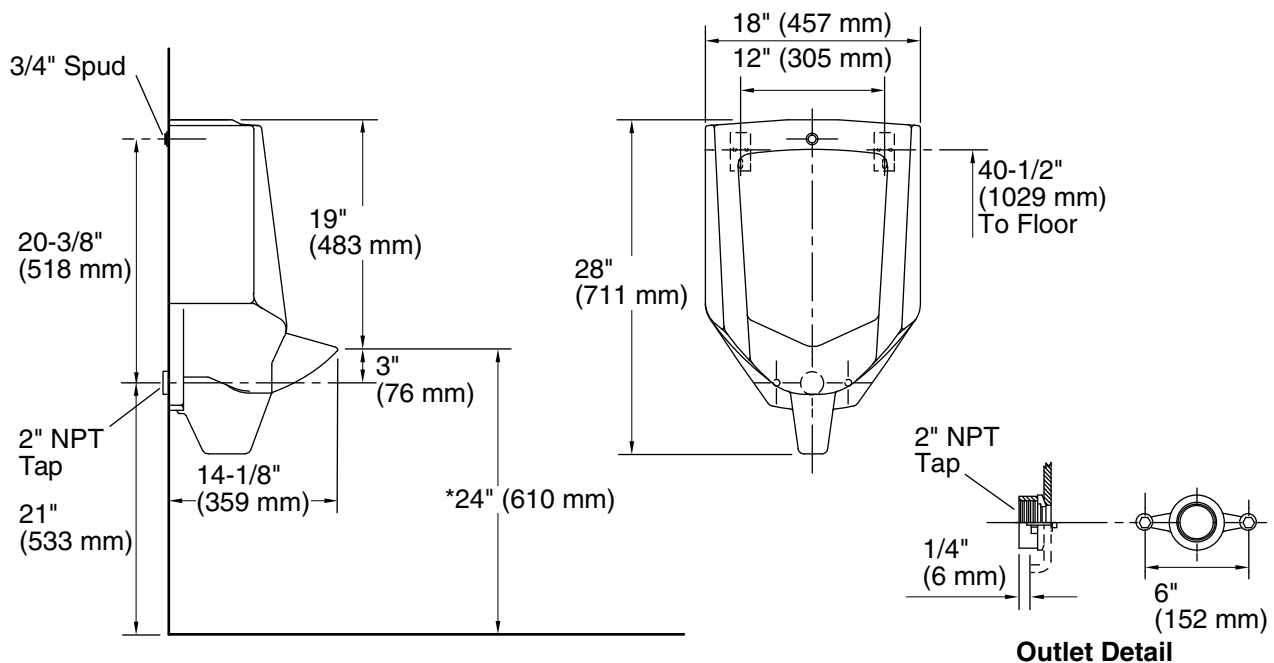
Refer to manufacturer's instructions and local codes for flushometer requirements.

Will comply with **ADA** when installed per Section 605 Urinals of the Act.

Will comply with **CSA B651** when installed per Clause 4.3.8 of the standard.

\*Urinal complies with ADA requirements when rim is mounted no higher than 17" (432 mm) from finished floor.

\*Urinal complies with CSA B651 when rim is mounted no higher than 16-7/8" (430 mm) from finished floor.



## Product Diagram