

URINAL K-4960-ET

Features

- Vitreous china
- Washout
- 3/4" top spud
- 14" (356 mm) extended rim
- 0.5 gpf (1.9 lpf) or 1.0 gpf (3.8 lpf)
- WaterSense® compliant when used with WaterSense flushometer

ADA

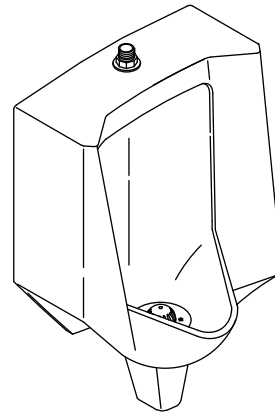
CSA B651



Codes/Standards Applicable

Specified model meets or exceeds the following:

- ADA
- ICC/ANSI A117.1
- CSA B651
- ASME A112.19.2/CSA B45.1
- EPA WaterSense®



Colors/Finishes

- 0: White
- Other: Refer to Price Book for additional colors/finishes

Accessories

- CP: Polished Chrome

Specified Model

Model	Description	Colors/Finishes	
K-4960-ET	3/4" top spud urinal	<input type="checkbox"/> 0	<input type="checkbox"/> Other_____

Recommended Accessories		
K-10675	WAVE exposed washout urinal flushometer – 0.5 gpf (1.9 lpf)	<input type="checkbox"/> CP
K-10676	WAVE exposed washout urinal flushometer – 1.0 gpf (3.8 lpf)r	<input type="checkbox"/> CP
K-10958	Touchless DC washout urinal flushometer – 0.5 gpf (1.9 lpf)	<input type="checkbox"/> CP
K-10960	Touchless DC washout urinal flushometer – 1.0 gpf (3.8 lpf)	<input type="checkbox"/> CP
K-13518	Manual washdown urinal flushometer – 1.0 gpf (3.8 lpf)	<input type="checkbox"/> CP
K-13519	Manual washdown urinal flushometer – 0.5 gpf (1.9 lpf)	<input type="checkbox"/> CP

Product Specification

The washout urinal shall be made of vitreous china with a 3/4" top spud. Urinal shall have a 14" (356 mm) extended rim. Urinal shall use 0.5 gpf (1.9 lpf) or 1.0 gpf (3.8 lpf). Urinal shall be WaterSense compliant when used a WaterSense flushometer. Urinal shall be Kohler Model K-4960-ET-_____.

BARDON™ SUPERIOR

Technical Information

Fixture*:	
Configuration	3/4" top spud urinal
Water per flush	0.5 gal (1.9 L) or 1.0 gal (3.8 L)
Spud inlet size	3/4"

Included components:	
3/4" inlet spud	18376
2" outlet spud	18766
Strainer	85061
Hanger (2 required)	64512

Installation Notes

Install this product according to the installation guide.

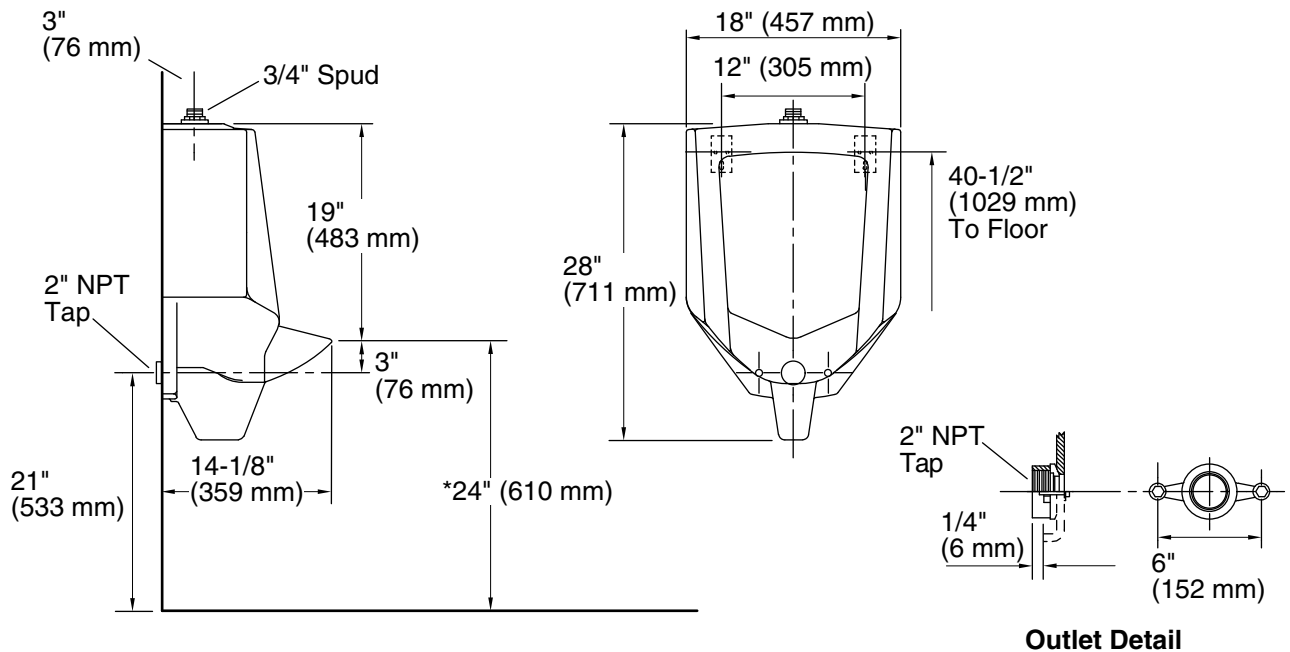
Refer to manufacturer's instructions and local codes for flushometer requirements.

Will comply with **ADA** when installed per Section 605 Urinals of the Act.

Will comply with **CSA B651** when installed per Clause 4.3.8 of the standard.

*Urinal complies with ADA requirements when rim is mounted no higher than 17" (432 mm) from finished floor.

*Urinal complies with CSA B651 when rim is mounted no higher than 16-7/8" (430 mm) from finished floor.



Product Diagram