

GABRIELLE™ COMFORT HEIGHT™

Features

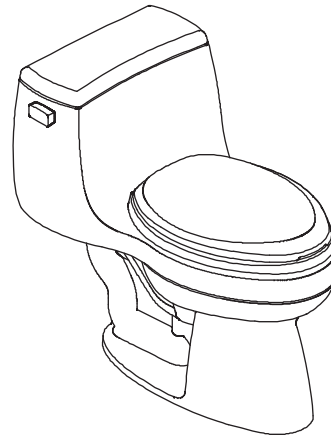
- Vitreous china
- Elongated bowl
- Comfort Height®
- Includes seat and cover
- Ingenium® flushing system
- Less supply
- 1.6 gpf (6 lpf)
- 2" (51 mm) glazed trapway
- 12" (305 mm) rough-in
- ADA compliant when installed following installation notes
- One-piece, compact
- 10-1/2" (267 mm) x 9-1/4" (235 mm) water area
- 28" (711 mm) x 18-5/8" (473 mm) x 27-1/2" (699 mm)

ONE-PIECE COMPACT TOILET

K-3322

ALSO K-3322-RA

ADA



Codes/Standards Applicable

Specified model meets or exceeds the following:

- ADA
- ICC/ANSI A117.1
- Energy Policy Act of 1992
- ASME A112.19.2/CSA B45.1

Colors/Finishes

- 0: White
- Other: Refer to Price Book for additional colors/finishes

Accessories

- 0: White
- CP: Polished Chrome
- PB: Vibrant® Polished Brass
- Other: Refer to Price Book for additional colors/finishes

Specified Model

Model	Description	Trip Lever	Colors/Finishes	
K-3322	One-piece compact toilet	left-hand	<input type="checkbox"/> 0	<input type="checkbox"/> Other_____
K-3322-RA	One-piece compact toilet	right-hand	<input type="checkbox"/> 0	<input type="checkbox"/> Other_____

Recommended Accessories

K-7637	Angle supply with stop – 3/8" NPT	<input type="checkbox"/> CP	<input type="checkbox"/> PB	<input type="checkbox"/> Other_____
--------	-----------------------------------	-----------------------------	-----------------------------	-------------------------------------

Optional Accessories

K-4650	Lustra™ elongated open-front toilet seat – for ADA compliance	<input type="checkbox"/> 0	<input type="checkbox"/> Other_____
--------	---	----------------------------	-------------------------------------

Product Specification

The elongated one-piece compact toilet shall be made of vitreous china. Toilet shall be 28" (711 mm) in length, 18-5/8" (473 mm) in width, and 27-1/2" (699 mm) in height with a 10-1/2" (267 mm) x 9-1/4" (235 mm) water area. Toilet shall be 12" (305 mm) rough-in, 2" (51 mm) glazed trapway, and less supply. Toilet shall be 1.6 gpf (6 lpf) with Ingenium™ flushing system. Toilet shall be ADA compliant (when installed following installation notes). Toilet shall include seat and cover. Toilet shall be Kohler Model K-3322-_____.

GABRIELLE™ COMFORT HEIGHT™

Optional Accessories

K-9464-L	Left-hand trip lever (non-CP)	<input type="checkbox"/> PB	<input type="checkbox"/> Other___
K-9464-R	Right-hand trip lever (non-CP)	<input type="checkbox"/> PB	<input type="checkbox"/> Other___

Technical Information

Fixture:	
Configuration	One-piece, elongated
Water per flush	1.6 gal (6 L)
Passageway	2" (51 mm)
Water area	10-1/2" (267 mm) x 9-1/4" (235 mm)
Water depth from rim	5" (127 mm)
Seat post hole centers	5-1/2" (140 mm)

Included components:	
Seat	K-4713
Tank cover	85407
Trip lever, left-hand	K-9464-L
Trip lever, right-hand	K-9464-R
Bolt cap accessory pack	1013092

Tank accessory pack

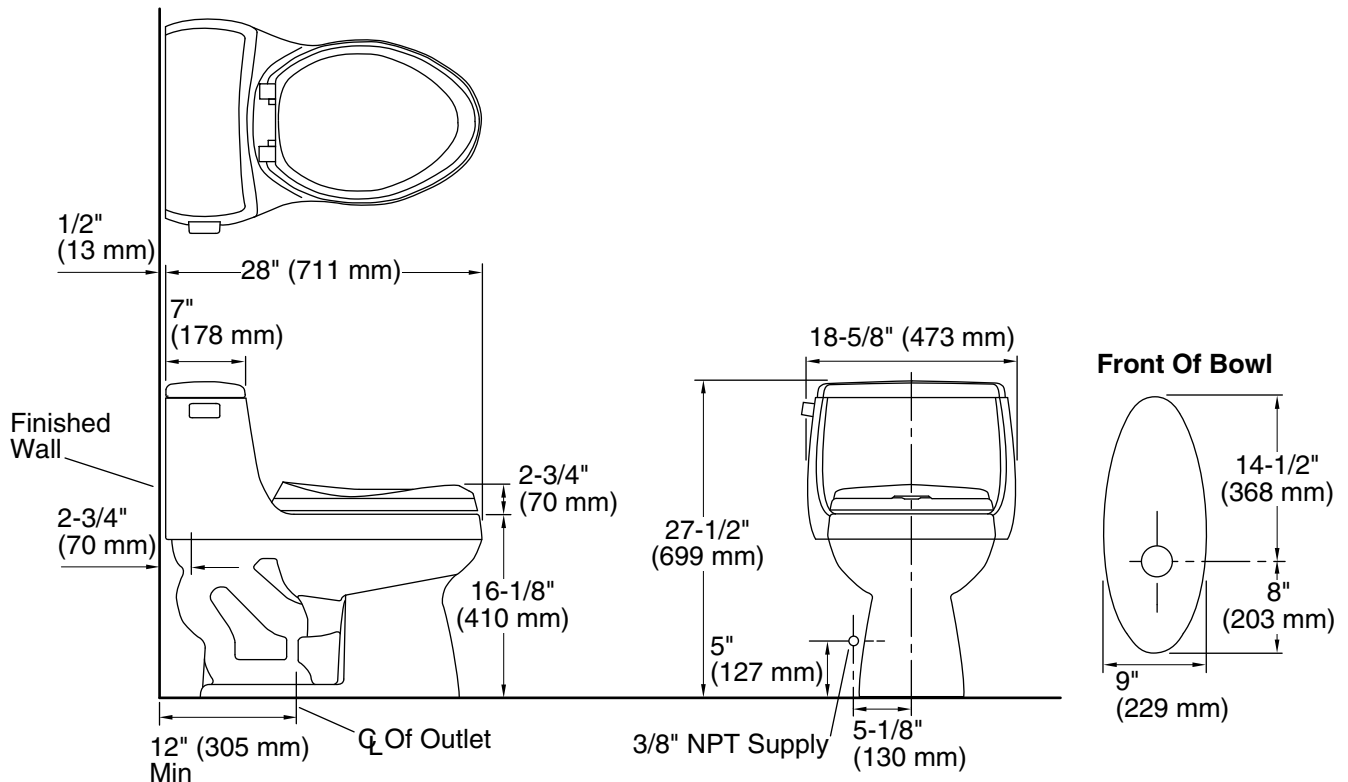
52265

Installation Notes

Install this product according to the installation guide.

Will comply with the American Disabilities Act (ADA) when installed per the requirements of the Accessibility Guidelines, Section 604 Water Closets, of the Act. The Model Plumbing Codes require open front elongated seats in public use bathrooms.

Section 604 states the required height of the toilet is 17" (432 mm) to 19" (483 mm) from the floor to the top of the seat to meet ADA requirements.



Product Diagram

GABRIELLE™ COMFORT HEIGHT™ ONE-PIECE COMPACT TOILET

Page 2 of 2
116814-4-AH

THE BOLD LOOK
OF **KOHLER**®