

11697T 16587T 入墙式阀体组件

安装之前

所有的资料是按最新出版的产品资料编写而成。科勒公司保留任何时候不经通知即可改变产品特性、包装或产品可供类型的权利。

说明书包括重要的安装、保养及清洁方面的内容，请把这些资料交给用户阅读。

注意事项：

1. 装修好的墙面到阀体中心线距离取决于所选择面板组件。
2. 一定要先彻底冲洗供水管以清除管道中的杂质。
3. 遵守所有当地管路安装及建筑条例。
4. 切断主供水源。
5. 在说明书所指示的恰当时候，拿掉阀芯保护套。
6. 埋墙前测试安装连接部位是否有渗漏，根据需要修理之。
7. 本产品只接受水压测试，且测试前需先排空管路及龙头之间的空气。测试水压不超过0.8MPa(8bar)，时间不超过30分钟。

BEFORE YOU BEGIN

All information is based on the latest product information available at the time of publication. Kohler Co. reserves the right to make changes in product characteristics, packaging, or availability at any time without notice.

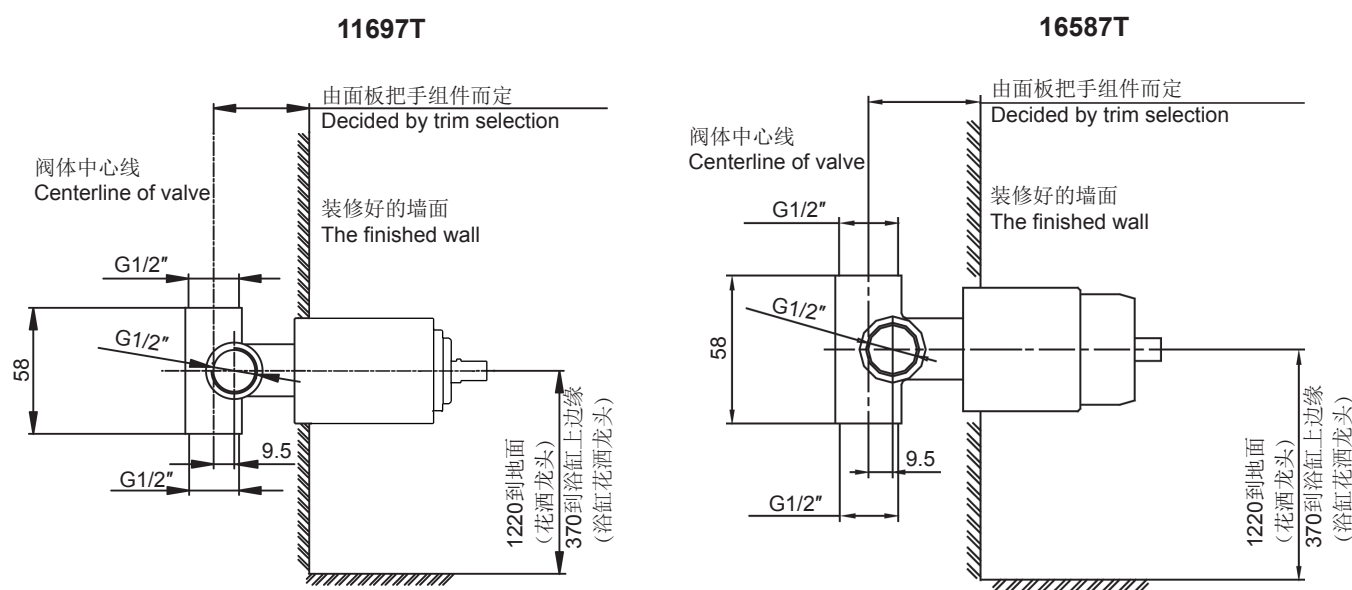
Please leave these instructions for the consumer. They contain important information.

Notes:

1. The dimension from the finished wall to the centerline of valve decided by the trim selection.
2. Flush the water supply pipes throughly to remove debris.
3. Observe all local plumbing and building codes.
4. Shut off the main water supply.
5. Do not remove the plaster guard from the valve body until instructed to.
6. Check for leaks before covering the pipes, repair as needed.
7. Please ensure only apply water pressure test on the product, and empty the air in pipe and faucet thoroughly before the test. Please ensure test pressure below 0.8MPa (8 bar) and test duration within 30 minutes.

安装尺寸

ROUGH-IN DIMENSIONS



安装步骤

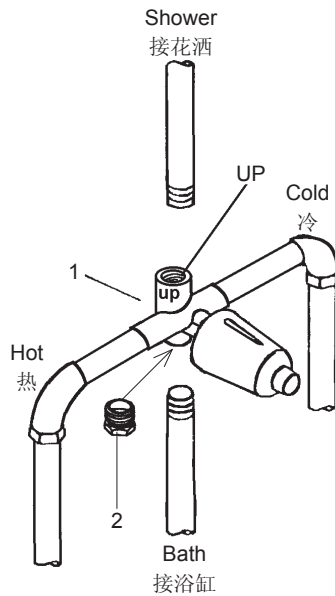
选定阀体(1)在墙上的位置，在墙上开一合适的孔。确保阀体上的标志“UP”朝上。螺纹处须缠绕至少四层密封胶带。

按右图将冷热供水管和浴缸及花洒水管接到阀体上。热水管接到红点端。如果是安装只有花洒的龙头，浴缸水管则不必连接。

若安装花洒龙头，在塞子(2)的螺纹处缠绕足以密封的密封胶带或涂适合的密封胶，将塞子安装到本体下面的孔中。

在花洒和浴缸的出水口，安装临时塞子和短管。

安装过程中，为了保护阀体，保护套需留在阀体上。



INSTALLATION

Determine where the valve body will be located on the wall. Make a suitable hole in the wall. Be sure the “UP” marking on the valve body(1) is facing upward. Wrap the threads on the supplies and outlets with tape at least 4 layers.

Connect hot and cold supplies, bath and shower piping to valve body. Connect hot supply to the end with red mark. Do not connect the bath pipe if install shower only faucet.

If install shower only faucet, apply tape or thread sealant to the threads of the plug(2). Install it into the valve body hole on the bottom.

Install temporary nipple for shower arm and bath spout.

During installation keep valve guard on valve body.

清理说明

适用于所有加工处理过的表面：以中性肥皂温水清洗镀层表面，再以干净的软布彻底擦干整个表面。许多清洁剂，比如氨水、去污粉及洁厕灵等，会对电镀表面造成伤害而不宜使用。

有腐蚀性的清洁剂或溶剂也不可适用于科勒牌的水龙头及其附件上。

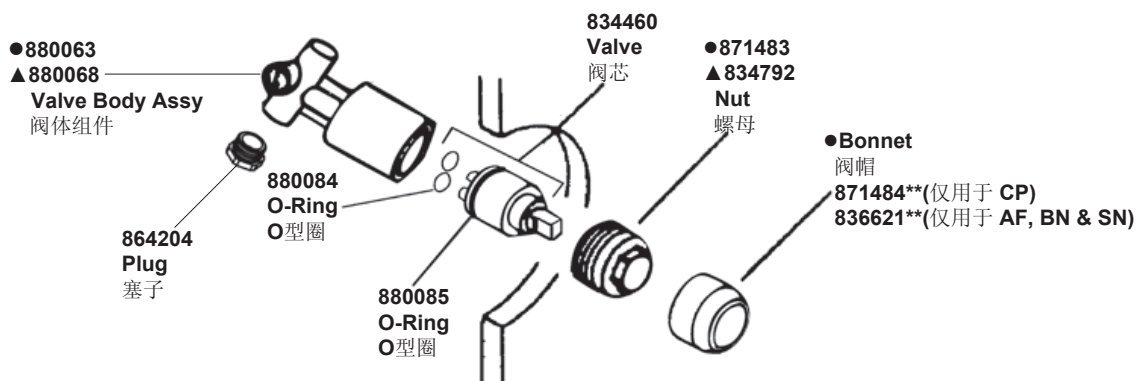
CLEANING INSTRUCTIONS

All Finishes: Clean the finish with mild soap and warm water. Wipe entire surface completely dry with clean soft cloth. Many cleaners may contain chemicals, such as ammonia, chlorine, toilet cleaner etc. which could adversely affect the finish and are not recommended for cleaning.

Do not use abrasive cleaners or solvents on Kohler faucets and fittings.

零件图

SERVICE PARTS



注：描述中有“▲”的零件仅用于11697T，描述中有“●”的零件仅用于16587T。

**订购时请说明颜色编号

**Color code must be specified when ordering