

## 11698T-4

## 入墙式面板组件

### 安装之前

所有的资料是按最新出版的产品资料编写而成。科勒公司保留任何时候不经通知即可改变产品特性、包装或产品可供类型的权利。

说明书包括重要的安装、保养及清洁方面的内容，请把这些资料交给用户阅读。

#### 注意事项：

1. 在说明书所指示的恰当时候，拿掉阀芯保护套。
2. 参照 11698T-4 安装尺寸安装阀体 16587T。

### BEFORE YOU BEGIN

All information is based on the latest product information available at the time of publication. Kohler Co. reserves the right to make changes in product characteristics, packaging, or availability at any time without notice.

Please leave these instructions for the consumer. They contain important information.

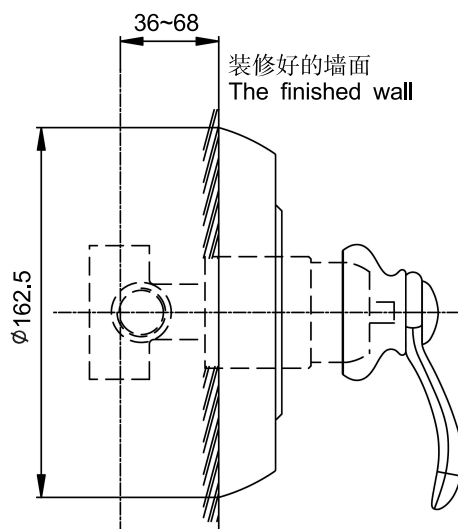
#### Notes:

1. Do not remove the plaster guard from the valve body until instructed to.
2. Install valve 16587T according to the rough-in dimensions of 11698T-4.

### 安装尺寸

### ROUGH-IN DIMENSIONS

#### 11698T-4

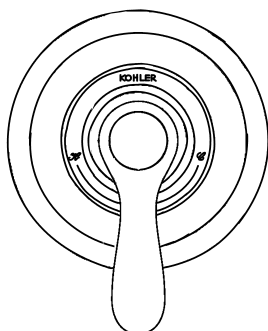
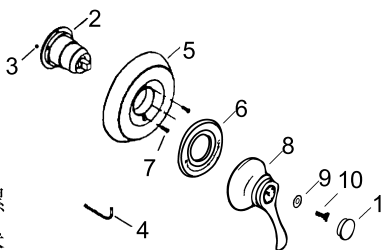


## 安装步骤

**注意:**参照 11698T-4 安装尺寸安装阀体 16587T。

墙壁装修好后,拿掉保护套。

确保固定环(2)上的两个孔垂直对齐。用六角扳手(4)拧紧三个固定螺丝(3),使固定环紧固在阀体上。然后把装饰盘(5)用两个螺丝(7)拧紧在固定环上。将装饰盖(6)扣在装饰盘上,将其两个卡片对准装饰盘的两个缺口后旋转使得两者配合紧密,注意:(1)不要用力过猛,以免损坏装饰盖卡片。(2)安装后的位置如图所示。



安装把手(8):将把手手柄朝下套在阀杆上。在螺钉(10)上套上垫片(9),旋入把手顶部的螺纹孔中。扣上塞扣(1)。

## INSTALLATION

**Note:** Install valve 16587T according to the rough-in dimensions of 11698T-4.

Remove the plastic guard after completed the finished wall.

Make sure that two holes in collar ring(2) are vertically oriented. Use hex wrench(4) provided, tighten three setscrews(3) securing collar ring to body so that the ring is tight to the valve body. Install faceplate(5) by tightening two screws(7) into collar ring. Install the cover(6) onto the escutcheon. Put the two bulges of the cover into the indentations of the escutcheon and then screw the cover so that it aligns with the escutcheon. Note:(1) To avoid destroying the bulges, do not over screw it. (2)The position after installation as shown in the drawing.

Install handle(8): Slide handle over valve stem with handle pointing down. Slide the washer(9) onto the setscrew(10). Thread the setscrew into the hole of the handle top. Press plug button(1) in place.

## 清理说明

适用于所有加工处理过的表面:以中性肥皂温水清洗镀层表面,再以干净的软布彻底擦干整个表面。许多清洁剂,比如氨水、去污粉及洁厕灵等,会对电镀表面造成伤害而不宜使用。

有腐蚀性的清洁剂或溶剂不可使用于科勒牌的水龙头及其附件上。

## CLEANING INSTRUCTIONS

All Finishes: Clean the finish with mild soap and warm water. Wipe entire surface completely dry with clean soft cloth. Many cleaners may contain chemicals, such as ammonia, chlorine, toilet cleaner etc. which could adversely affect the finish and are not recommended for cleaning.

Do not use abrasive cleaners or solvents on Kohler faucets and fittings.

## 零件图

## SERVICE PARTS

