

## BEFORE YOU BEGIN

## 安装之前

- Please read these instructions carefully to familiarize yourself with the required tools, materials, and installation sequences. Follow the sections that pertain to your particular installation. This will help you avoid costly mistakes. In addition to proper installation, read all operating and safety instructions.
- All information in these instructions is based upon the latest product information available at the time of publication. Kohler China reserves the right to make changes in product characteristics, packaging, or availability at any time without notice.
- These instructions contain important care, cleaning, and warranty information - **please leave instructions for the consumer.**

- 请小心详阅本指引。以便熟悉所需工具、材料及安装程序。请遵照适用的章节来安装你的座便器，以避免由于安装不当而导致不必要的损失。除了有关正确的安装方法之外，还务请详阅所有操作及安全指引。
- 本指引所载之一切资料，均以印刷时所有之最新产品情况为基础，科勒中国保留权利随时更改产品特性、包装或供应情况，恕不另行通知。
- 本指引也包含了有关护理、清洁及保养等重要资料 - 请交予用户保存。

## ORDERING INFORMATION

REVE WF Toilet (HT200 PNE IWT).....	K-20766T-S
Includes Reve Floor Standing Toilet.....	K-5038T
Includes HYDRO-TOWER 200 PNE	
In-Wall Tank W/O Frame.....	K-78074T-RES
Includes Reve QC Seat.....	K-17183T-CP
REVE WF Toilet (HT300 PNE IWT).....	K-20767T-S
Includes Reve Floor Standing Toilet.....	K-5038T
Includes HYDRO-TOWER 300 PNE	
In-Wall Tank W/O Frame.....	K-78077T-RES
Includes Reve QC Seat.....	K-17183T-CP
REVE WF Toilet (HT300 MEC IWT).....	K-20768T-S
Includes Reve Floor Standing Toilet.....	K-5038T
Includes HYDRO-TOWER 300	
In-Wall Tank W/O Frame.....	K-10611T-RES
Includes Reve QC Seat.....	K-17183T-CP
Maxispace Toilet with Paper Holder.....	K-14042T-L
Maxispace Cabinet with Paper Holder.....	K-24902T-L
Reve Floor Standing Toilet.....	K-5038T
Reve QC Seat.....	K-17183T-CP
305mm S-Trap.....	1249428
Maxispace Toilet with Paper Holder.....	K-14042T-R
Maxispace Cabinet with Paper Holder.....	K-24902T-R
Reve Floor Standing Toilet.....	K-5038T
Reve QC Seat.....	K-17183T-CP
305mm S-Trap.....	1249428

## 订购信息


瑞芙落地式座便器(海德丽200气动水箱).....	K-20766T-S
含釉面陶瓷落地式缸体.....	K-5038T
含海德丽200	
气动无框架入墙式隐藏水箱.....	K-78074T-RES
含缓降座便器盖板.....	K-17183T-CP
瑞芙落地式座便器(海德丽300气动水箱).....	K-20767T-S
含釉面陶瓷落地式缸体.....	K-5038T
含海德丽300	
气动无框架入墙式隐藏水箱.....	K-78077T-RES
含缓降座便器盖板.....	K-17183T-CP
瑞芙落地式座便器(海德丽300机械水箱).....	K-20768T-S
含釉面陶瓷落地式缸体.....	K-5038T
含海德丽300	
无框架入墙式隐藏水箱.....	K-10611T-RES
含缓降座便器盖板.....	K-17183T-CP
博纳座便器(含左侧纸巾架).....	K-14042T-L
博纳座便器水箱柜(含左侧纸巾架).....	K-24902T-L
釉面陶瓷落地式缸体.....	K-5038T
缓降座便器盖板.....	K-17183T-CP
305mm地排水排污管.....	1249428
博纳座便器(含右侧纸巾架).....	K-14042T-R
博纳座便器水箱柜(含右侧纸巾架).....	K-24902T-R
釉面陶瓷落地式缸体.....	K-5038T
缓降座便器盖板.....	K-17183T-CP
305mm地排水排污管.....	1249428


No.2 KOHLER ROAD, SANSHUI CENTRAL INDUSTRIAL PARK, LEPING TOWN, SANSHUI DIST., FOSHAN, GUANGDONG, PRC POST CODE 528137  
广东省佛山市三水区乐平镇三水中心工业园区科勒大道2号 邮编: 528137

8# MENGSHAN RD, ECONOMIC DEVELOPMENT ZONE OF HUANTAI, ZIBO, SHANDONG, CHINA POST CODE: 256410  
山东省淄博市桓台经济开发区蒙山路8号 邮编: 256410

## NOTES


- Observe all local plumbing and building codes.
- Shut off the water supply.
- Seat post holes are on 200mm centers.
- 57mm passageway.
- Water depth from the rim is 235mm.
- Ensure that the new drain has the correct roughing-in dimension. This toilet has a 305mm roughing-in dimension. **See Fig. #1.**
- Carefully inspect the new fixture for any sign of damage.
- For new construction, refer to the dimensions in **Fig. #1 and Fig. #4** for locating the shut-off valve.
- Fixture dimensions are nominal and conform to tolerances established by ASME Standards (A112.19.2-2013).
- This product complies with GB 25502-2017. Water Efficiency Grade 1.


 **WARNING: Risk of personal injury or product damage.** Handle vitreous china products very carefully. Vitreous china can break and chip if you over tighten bolts and nuts.

 **WARNING: Risk of external leakage.** The fill valve nut has been factory-tightened to design specifications. If re-tightening is required, wrench tighten 1/4 turn past finger tight .

## 注意

- 遵守当地所有给排水及建筑规定。
- 先关掉水源。
- 盖板孔中心间距200mm。
- 57mm排污通道。
- 座便器上表面距水面235mm。
- 请确保污水管的坑距尺寸正确。本型号坑距为305mm(请参阅图1)。
- 小心检验新的座便器是否有损坏的迹象。
- 若为新安装工程，请参看图1及图4的尺寸指示以找出止水阀。
- 部件尺寸为标定值，误差符合美国ASME标准A112.19.2-2013。
- 本产品符合GB 25502-2017。水效等级1级。

 **警告：提防身体受伤或产品破裂。**请小心处理釉面陶瓷产品。不可把螺母和螺栓上得过紧，以免产品破损或崩裂。

 **警告：有向外渗漏之危险。**注水阀螺母在出厂时已上紧以符合设计规格，如需再上紧，可用手上紧后再以板钳上紧1/4圈。

## TOOLS AND MATERIALS REQUIRED (Not supplied)

- 254mm (10") adjustable wrench
- 305mm (12") pipe wrench
- Metal file (file cut)
- Tape measure
- Tubing cutter
- Level
- Hacksaw
- Putty knife
- Screwdriver
- Toilet gasket (wax seal)
- Toilet supply shut-off valve
- P-TRAP 1036901

### NOTICE:

1. If the existing toilet does not have a supply shut-off valve below the tank, install one before installing the new toilet.
2. There's no need for S-trap toilet users to order P-trap 1036901.

## 所需工具及物料（不随货供应）

- 254mm 活动板钳
- 305mm 喉管板钳
- 锉刀
- 卷尺
- 切管刀
- 水平尺
- 钢锯
- 涂油灰刀
- 螺丝刀
- 座便器垫圈(蜡封)
- 座便器供水管止水阀
- P弯管1036901

### 注意：

1. 如果现有座便器的水箱下方没有止水阀，须在安装新座便器前装妥止水阀。
2. 选用地排水的用户无需订购P弯管1036901。

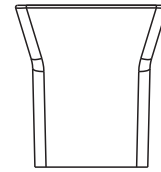
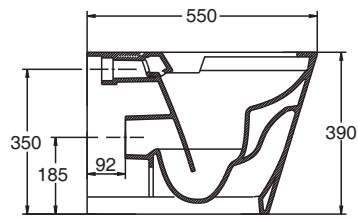
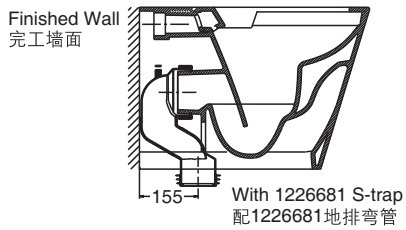
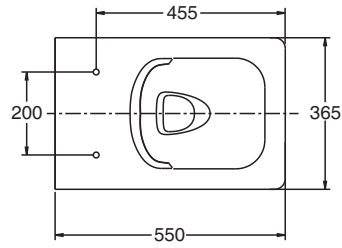
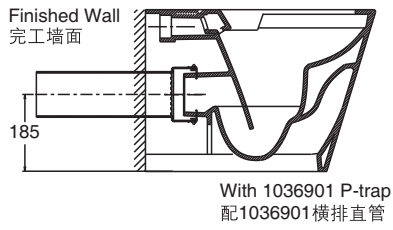
# ROUGHING-IN

# 尺寸图

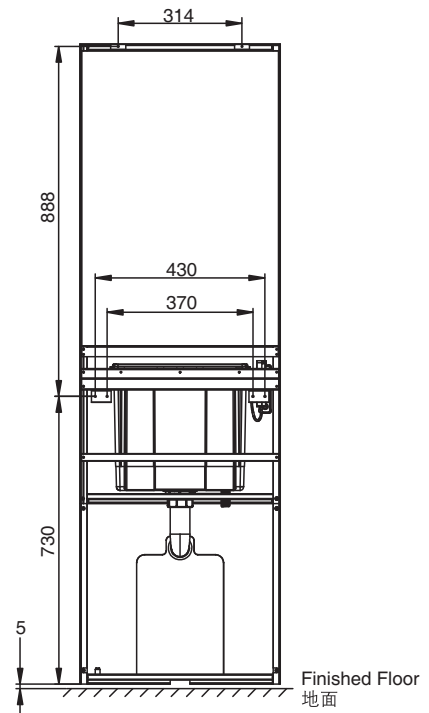
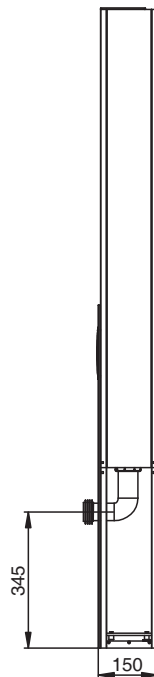
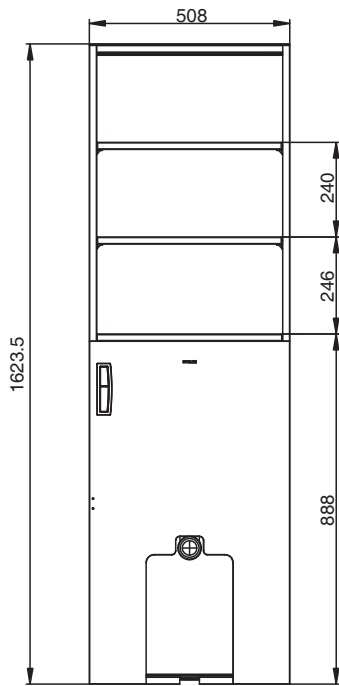
Reference Value  
参考值

UNIT : mm  
单位: 毫米

## K-5038T



## K-14042T-L/K-14042T-R



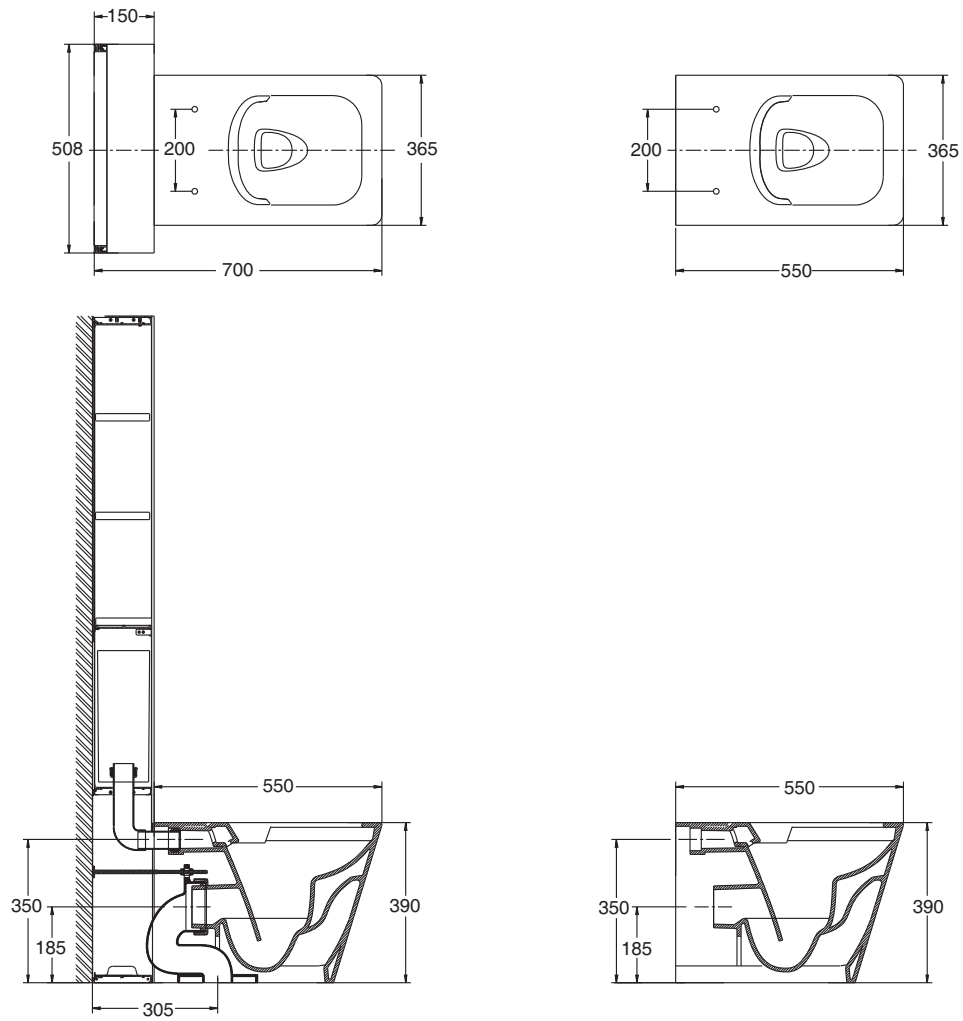


Fig.#1  
图1

Kohler reserves the right to change marked dimensions without prior notice.  
科勒公司保留随时变更图中标示尺寸的权利，无需另行通知。



## INSTALLATION (WITH CABINET)

## 安装(配水箱柜)

MAXISPACE tank with cabinet K-24902T includes the installation instruction.

配博纳座便器水箱柜K-24902T时的座便器安装详见柜子附带的说明书。



## INSTALLATION (WITH IN WALL TANK)

## 安装(配入墙水箱)

### INSTALL THE TANK

1. Turn the water supply off before installing the new toilet.
2. Install the concealed tank system in wall before decorating the wall.
3. Install the tank system per tank's installation instructions.
4. Refer to installation instructions of in-wall tank for SKU of faceplate.

### 安装水箱

1. 安装新座便器前先关闭供水。
2. 在装饰墙面前先将入墙式水箱系统安装入墙体内。
3. 参照水箱安装说明书完成水箱系统的安装。
4. 需另配的面板型号请参考水箱说明书。

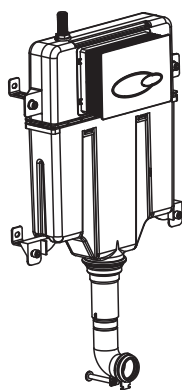


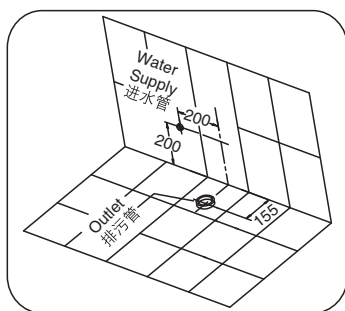
Fig.#2  
图2

## Install the Toilet

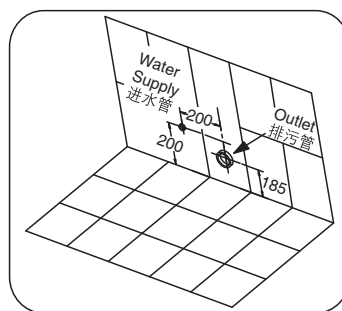
## 安装座便器

1. Install the waste outlet and water inlet as shown.

1. 在安装面上安装排污管及冷水进水管，如图所示。



S.trap  
地排水



P.trap  
墙排水

UNIT: mm  
单位: 毫米

Fig.#3  
图3

2. Position the template and align with drain hole or wall.

2. 将安装模版放置在地面上，并对齐下水口或对齐墙边。

3. Mark down the position of foot and 2 holes.

3. 划出脚部轮廓线及两个孔的位置。

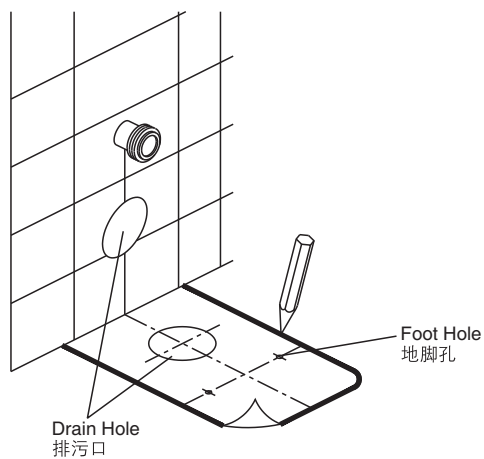


Fig.#4  
图4

4. Drive holes on ground with the driver of 10mm (3/8"), then insert anchor to holes.

4. 用10mm的钻头在地面上钻孔，然后插入螺栓套管。

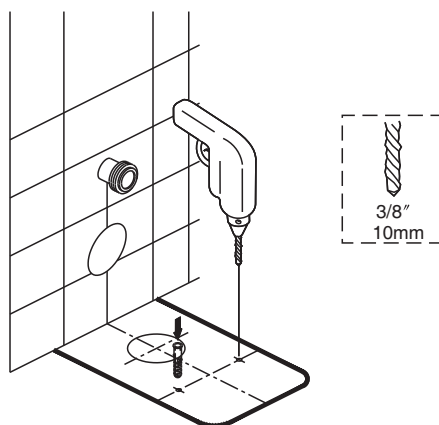


Fig.#5  
图5

5. Install brackets.

5. 安装支架。

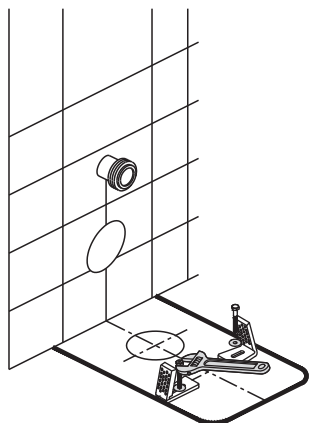


Fig.#6  
图6

6A. Attach connection pipe (For P trap)

- 1) Attach inlet pipe which set aside the length to the concealed tank.
- 2) Attach outlet pipe to the toilet.
- 3) You may apply some lubricant to help connect smoothly. **See Fig. #7a.**
- 4) Please tilt the outlet pipe a little after it is installed to prevent water storage. **See Fig.#7b.**

6A. 安装联结管(适用于P弯管)

- 1) 将已做好预留长度的进水管与入墙式水箱连接。
- 2) 将已做好预留长度的排污管与座便器连接。
- 3) 可以使用润滑剂，有助连接。见图7a。
- 4) 排污管装好以后要略向下倾斜，以防止产生积水。见图7b。

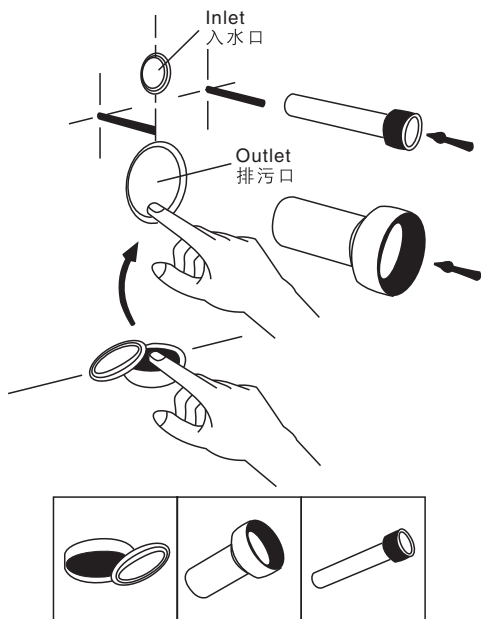


Fig.#7a  
图7a

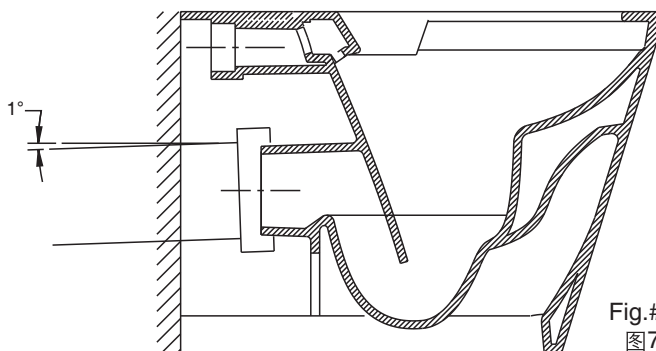


Fig.#7b  
图7b

6B. Install S trap (For S trap)

Place wooden at trap back for better mounting.

6B. 安装S trap下排水管(适用于S弯管)

背部用木块垫紧。

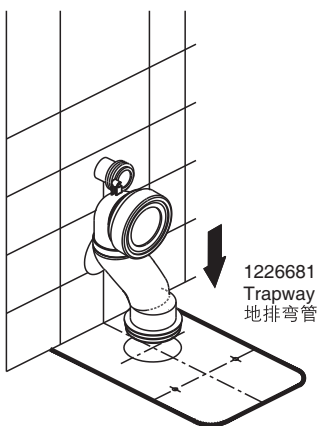


Fig.#8a  
图8a

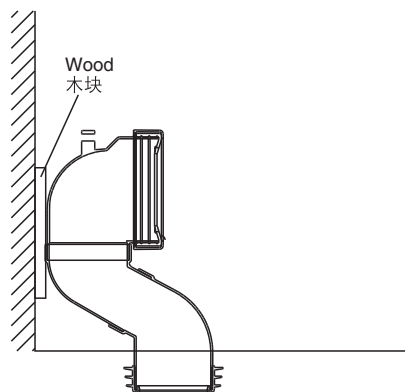


Fig.#8b  
图8b

7. Carefully align and lower backward the bowl. Apply weight to the bowl rim to let the outlet insert into plastic trap.

Ensure tank outlet insert into bowl inlet firmly.  
Apply soap water around rubber seal for easier mounting.

7. 小心对准并将座便器向后移动。同时将座便器边缘向后压，以使排水口插入弯管中。为了要达到最佳的效果，请在安装时确定座便器是否水平。  
确保水箱出水口插入到陶瓷入水中。  
橡胶圈涂上肥皂水方便安装。

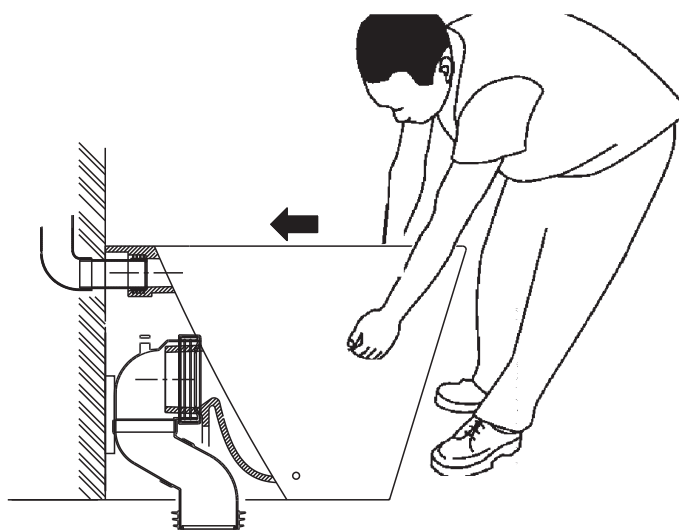
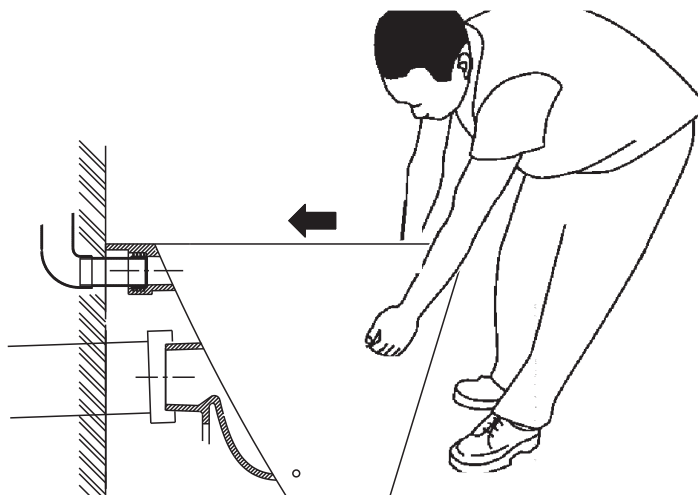
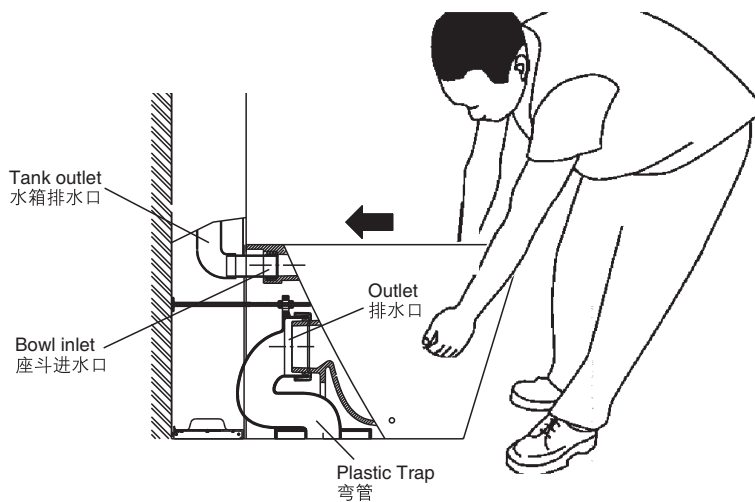


Fig.#9  
图9

8. Carefully thread the screws into the brackets, until toilet is secure. Alternately tighten left and right sides to prevent pulling the toilet off center. Install cap to cover screw.  
**Do not overtighten.**

8. 小心的将螺丝旋入支架中直到座便器完全固定。左右交替旋紧以免座便器偏离中心。安装螺帽。  
请勿过度旋紧。

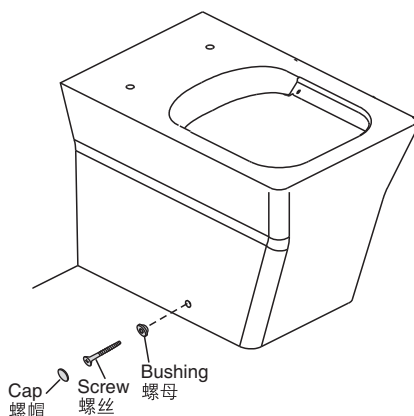


Fig.#10  
图10

9. Apply caulk around .

9. 在座便器与马桶柜、墙、地板衔接处打上硅胶。

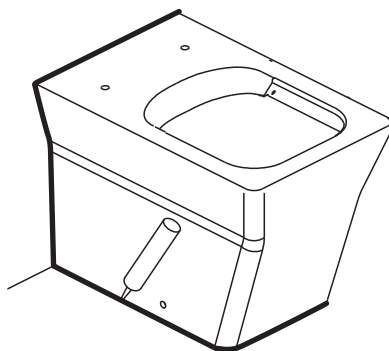


Fig.#11  
图11

10. Install seat according to relative instructions.  
**Note:** Adjust position of toilet seat during installation. Avoid interfering with flush button when opening the toilet seat.

10. 根据盖板说明书安装盖板。  
注意：安装盖板时，调节盖板位置，避免盖板打开后与按钮接触。

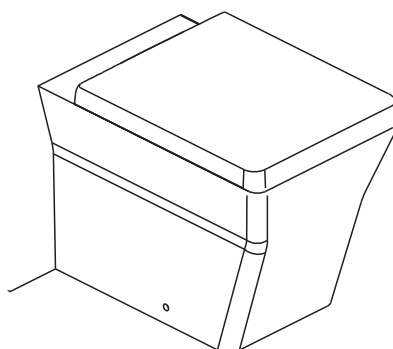


Fig.#12  
图12

## FILL FLOAT WITH BALLAST

## 注水以稳定浮球

Test flush the toilet.  
Check all connections for leakage for several days.

测试冲水情况。  
安装后的几天内，应反复检查所有接口有无渗漏。

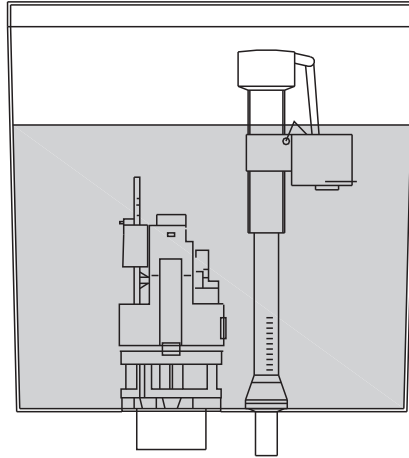


Fig.#13  
图13

### TROUBLESHOOTING CHART

SYMPTOMS	PROBABLE CAUSES	CORRECTIVE ACTION
1. Dual flush fail.	A. Push button do not touch seat.	A. Operate push button correctly.
2. Fill valve continues to run, allowing water to enter tank.	A. Foreign particles lodged under the float valve seal (located under fill valve cap).  B. Fill valve seal (located under float valve cap) may be cracked or split. C. Water leaking past flush ball. D. Flapper can not fall automatically. E. Flush valve flapper ball worn, dirty or misaligned with flush valve seat; or seat corroded so flapper will not seal.	A. Shut off water supply; remove fill valve cap assembly by rotating 1/8 turn counterclockwise. Cover uncapped lower valve unit with an inverted cup (holding it to prevent overspray), and turn water on and off a few times. Clean fill valve seal surface (located under float valve cap). Replace fill valve cap assembly by engaging lugs and rotating 1/8 turn clockwise. Turn water on. Install filter in supply line to prevent recurring problems.  B. Replace seal.  C. Replace flush ball. D. The belt is not smooth. E. Inspect, clean and, if necessary, replace flapper ball and/or seat.
3. Incorrect water level height.	A. Valve float cup does not contain enough water to provide required ballast.	A. During fill cycle, hold float under water a few seconds to allow it to fill with water ballast.
4. Long or noisy tank fill cycle.	A. Plugged valve inlet or supply line.	A. Clean the filter of inlet valve.
5. Poor flush.	A. Water level is too low. B. Trapway or rim holes are obstructed. C. Soil pipe or vent is obstructed. D. Supply shut-off valve not fully open.	A. Adjust tank water level. B. Unclog trapway; clean rim holes. C. Clear obstruction from soil pipe or vent. D. Open supply shut-off valve.
6. Toilet overflows.	A. Toilet trapway is obstructed. B. Soil pipe or vent is obstructed.	A. Use plunger to unclog. B. Clear obstruction from soil pipe or vent pipe.
7. Toilet does not activate.	A. Push button is not connected to lift rod or flush valve.	A. Reconnect the push button.

## 故障处理表

现象	原因	处理措施
1. 大小档失灵	A. 按钮没有按到底。	A. 正确操作按钮。
2. 浮球阀转不停，水不断溢入水箱	A. 浮球阀密封圈下面有外来物卡住(在浮球阀帽下)。  B. 浮球阀密封圈(在浮球阀帽下)可能已破裂。 C. 冲水阀球渗漏。 D. 拍盖不能自动下降。 E. 冲水阀的橡胶盖球磨损、肮脏或与冲水阀座的位置不配合；或阀座磨缺后，令橡胶盖不能合起来。	A. 关掉供水管，以逆时针方向把浮球阀帽组合旋1/8圈即可拆除，用杯子盖好无遮盖的阀门组件(紧盖着以防花四溅)，反覆开关水源数次。清洁浮球阀密封圈的表面(在浮球阀帽下)。盖上阀帽组件，顺时针旋1/8圈上好，打开供水开关。在供水系统上安装过滤装置，可防止问题再次发生。  B. 更换密封圈。 C. 更换冲水阀球。 D. 观察钢带是否有磨损。 E. 检查清楚及进行清洁，如有需要更换橡胶盖球及/或阀座。
3. 水位线高度不正确	A. 阀门浮杯内装水不足以使其稳定。	A. 在水箱注水时，把浮球按在水中数秒，使其注够水份稳定下来。
4. 水箱注水需时过长或噪音过大	A. 阀门入水口或供水管堵塞。	A. 清洗进水阀进口的过滤网。
5. 冲水不灵	A. 水位太低。 B. 座便器排污管或冲水孔堵塞。 C. 污水管或通道堵塞。 D. 供水管止水阀未完全打开。	A. 调校水箱水位。 B. 通开冲水道及清洁喉面孔。 C. 清除污水管或通道的堵塞物。 D. 打开供水管止水阀。
6. 厕所溢水	A. 排污管堵塞。 B. 污水管或通道堵塞。	A. 用通渠泵清理排污管。 B. 清除污水管或通道的堵塞物。
7. 冲水掣不灵	A. 按钮未能连接冲水杆或冲水阀。	A. 把按钮连接好。

## IMPORTANT CONSUMER INFORMATION 用户须知

### CONSUMER RESPONSIBILITIES

Clean the outside surfaces of your vitreous china fixture with mild soap and warm water. Wipe the entire surface completely dry with a clean, soft cloth. Many cleaners contain harsh chemicals, such as ammonia, which can damage the finish. Do not use those cleaners.

If you live in a hard water area, make certain that the holes in the toilet rim are kept clean to ensure proper bowl flushing. Toilet bowl cleaners should be used at least once a week. Use a long-handled brush to clean the rim holes, and to clean as far into the trap as possible to prevent mineral deposits from forming.

Most toilet bowl cleaners are not harmful to the vitreous china surface of the toilet bowl. Please follow the bowl cleaner manufacturer's instructions carefully.

Do not use abrasive cleaners or solvents.



**WARNING: Risk of property or product damage.**

Do not use in-tank cleaners. Products containing chlorine (calcium hypochlorite) can seriously damage fittings in the tank. This damage can cause leakage and property damage.

Kohler Company shall not be responsible or liable for any damage to these tank fittings caused by the use of cleaners containing chlorine (calcium hypochlorite).



**CAUTION: Don't use any cement while installing the toilet.** Heat expansion of the toilet may damage the feet of the toilet. Kohler will not be responsible for any damage because of using cement.



**WARNING: Risk of product damage.**

Do not throw into the toilet what is easy to block it, such as newspaper, paper pilch, sanitary towel. Do not bump the vitreous china with great force to prevent it from damaging and leaking. Do not use the product in the water below 0°C.



**CAUTION:** Please do not use hard materials (like scouring pad) to clean product surface, especially the product logo.

### 用户责任

用柔软的肥皂和温水清洗釉面陶瓷洁具的外表面。用一块清洁软布将整个表面彻底擦干。许多清洁剂中含有较强化学成份，诸如氨，这些物质会损坏釉面。不要使用这类清洁剂。

如果你居住地方的水质是硬性，你必须保持冲水孔清洁，令座便器冲水正常。每星期应最少使用座便器清洁剂清洁一次，用长把手的刷子清洁冲水孔，并尽量伸入排污管洗刷，防止矿物质积聚。

大多数马桶清洁剂对座便器表面是无害的。请认真遵循马桶清洁剂制造商的指示来操作。

请勿使用腐蚀性清洁剂或溶剂。



**警告：**提防楼宇受损或损坏产品。请勿使用水箱内用清洁剂。含氯（次氯酸钙）的清洁剂会严重破坏水箱配件，从而引起渗漏，或对楼宇结构造成损坏。

科勒公司对此类因使用氯(次氯酸钙)而引致的水箱装置损毁，概不负责。



**警告：**在安装本座便器时切勿使用任何水泥。因为水泥的热膨胀可能使座便器的脚部挤破或损坏。科勒对所有因为水泥安装而引起的座便器破裂恕不负责。



**警告：**提防损坏产品。请不要向便器内冲入新闻纸、纸尿裤、妇用卫生巾等容易堵塞的物品。请不要用重力撞击陶瓷，以防止破损漏水。

不要在0°C以下的水环境中使用。



**警告：**请勿使用钢丝球等硬质材料擦洗产品表面，特别是产品商标处。





# HYDRO-TOWER 200 海德丽200

INSTALLATION INSTRUCTIONS

安装说明书

IN-WALL TANK

入墙式隐藏水箱

K-20006T-PNE/K-20006K-PNE/K-20007T-PNE/K-20007T-VLS  
 K-20007T-DNSW/K-20007T-DNW/K-20007T-VABW/K-20007T-RES  
 K-20007K-PNE/K-20008T-PNE/K-20008K-PNE/K-78073T-PNE  
 K-78073K-PNE/K-78074T-PNE/K-78074T-RES/K-78074T-ESS  
 K-78074T-VLS/K-78074T-VLSL/K-78074T-VL130/K-78074T-VL150  
 K-78074K-PNE/K-78075T-PNE/K-78075K-PNE  
 K-20341T-PNE/K-75890T-PNE/K-23055T-PNE

## BEFORE YOU BEGIN 安装之前

- Read installation guide in illustration and word file carefully, and install the tank according to instructions in the guide to avoid product damage and installation inconvenience caused by inappropriate operation.
- All data contained is based upon the last product information available at the time of publication. Kohler Company reserves the right to implement changes of product characteristics, packaging and availability at any time without further notice.
- Do not apply erosive cleanser and solvent in the tank, which will damage tank spares and result in leakage in the tank. Kohler will not be responsible for any damage related to above mentioned cleanser or solvent. Mild detergent can be used.
- Do not apply spares that are not provided by Kohler, and please note that glass adhesive tape shall not be applied to the installation of Kohler spares. Kohler will not be responsible for any damage related to installation with spares not provided by Kohler.
- This product complies with GB26730-2011.
- 请仔细阅读图示说明及文字安装说明，按照说明书的步骤安装，以避免产品损坏或不良操作导致安装不便。
- 所有的资料是按出版时的最新产品资料编写的，本公司保留在任何时候不需通知便可更改产品的特征、包装或供应产品的权利。
- 请不要在水箱内使用具有腐蚀性的非中性清洁剂或溶剂，否则会严重地损坏水箱配件，导致漏水。因使用上述清洁剂或溶剂而使水箱不能正常使用或出现其它连带性的损坏，本公司恕不负责。但中性清洁剂可以使用。
- 请不要采用非本公司提供的零件，如玻璃胶等不能用于本公司配件的安装。因使用非本公司提供的零件安装而本公司产品导致的损坏，本公司恕不负责。
- 本产品符合GB26730-2011。

## Ordering Information

HYDRO-TOWER 200 PNE IWT 2.6/4.0L .....	K-20006T-PNE
HYDRO-TOWER 200 PNE IWT 2.6/4.0L .....	K-20006K-PNE
HYDRO-TOWER 200 PNE IWT 3.0/4.5L .....	K-20007T-PNE
HYDRO-TOWER 200 PN IWT W/ FRAME 3.5/5.0L(VEIL WH) .....	K-20007T-VLS
HYDRO-TOWER 200 PN IWT W/ FRAME 3.5/5.0L(ODEON WH) .....	K-20007T-DNSW
HYDRO-TOWER 200 PN IWT W/ FRAME 3.5/5.0L(ODEON WH) .....	K-20007T-DNW
HYDRO-TOWER 200 PN IWT W/ FRAME 3.5/5.0L(VIA WH) .....	K-20007T-VABW
HYDRO-TOWER 200 PN IWT W/ FRAME 3.5/5.0L(REVE WH) .....	K-20007T-RES
HYDRO-TOWER 200 PNE IWT 3.0/4.5L .....	K-20007K-PNE
HYDRO-TOWER 200 PNE IWT 3.0/6.0L .....	K-20008T-PNE
HYDRO-TOWER 200 PNE IWT 3.0/6.0L .....	K-20008K-PNE
HYDRO-TOWER 200 PNE IWT W/O FRAME 2.6/4.0L .....	K-78073T-PNE
HYDRO-TOWER 200 PNE IWT W/O FRAME 2.6/4.0L .....	K-78073K-PNE
HYDRO-TOWER 200 PNE IWT W/O FRAME 3.0/4.5L .....	K-78074T-PNE
3.5/5.0L HYDRO-TOWER 200 PNE IWT W/O FRAME(REVE WF).....	K-78074T-RES
3.5/5.0L HYDRO-TOWER 200 PNE IWT W/O FRAME(ESCALE WF) .....	K-78074T-ESS
3.0/4.5L HYDRO-TOWER 200 PNE IWT W/O FRAME(VEIL WF) .....	K-78074T-VLS
3.0/4.5L HYDRO-TOWER 200 PNE IWT W/O FRAME(VEIL WF) .....	K-78074T-VLSL
HYDRO-TOWER 200 PNE IWT W/O FRAME 3.0/4.5L(VEIL WF HC130) .....	K-78074T-VL130
HYDRO-TOWER 200 PNE IWT W/O FRAME 3.0/4.5L(VEIL WF HC150) .....	K-78074T-VL150
HYDRO-TOWER 200 PNE IWT W/O FRAME 3.0/4.5L .....	K-78074K-PNE
HYDRO-TOWER 200 PNE IWT W/O FRAME 3.0/6.0L .....	K-78075T-PNE
HYDRO-TOWER 200 PNE IWT W/O FRAME 3.0/6.0L .....	K-78075K-PNE
PEBBLE Pneumatic In-Wall Tank Faceplate (Not Supplied).....	K-20341T-PNE
LYNK Pneumatic Faceplate (Not Supplied) .....	K-75890T-PNE
MODERN Life Small Faceplate (Not Supplied) .....	K-23055T-PNE

KOHLER CHINA INVESTMENT CO., LTD NO.158, JIANG CHANG SAN ROAD,  
 JING'AN DISTRICT, SHANGHAI, PRC POST CODE: 200436  
 科勒(中国)投资有限公司 上海市静安区江场三路158号 邮编: 200436

## 订购信息

海德丽200气动入墙式隐藏水箱,2.6/4.0L .....	K-20006T-PNE
海德丽200气动入墙式隐藏水箱,2.6/4.0L .....	K-20006K-PNE
海德丽200气动入墙式隐藏水箱,3.0/4.5L .....	K-20007T-PNE
海德丽200气动入墙式隐藏水箱,3.5/5.0L(维亚挂墙) .....	K-20007T-VLS
海德丽200气动入墙式隐藏水箱,3.5/5.0L(奥帝安挂墙).....	K-20007T-DNSW
海德丽200气动入墙式隐藏水箱,3.5/5.0L(奥帝安挂墙).....	K-20007T-DNW
海德丽200气动入墙式隐藏水箱,3.5/5.0L(维雅挂墙) .....	K-20007T-VABW
海德丽200气动入墙式隐藏水箱,3.5/5.0L(瑞芙挂墙).....	K-20007T-RES
海德丽200气动入墙式隐藏水箱,3.0/4.5L .....	K-20007K-PNE
海德丽200气动入墙式隐藏水箱,3.0/6.0L .....	K-20008T-PNE
海德丽200气动入墙式隐藏水箱,3.0/6.0L .....	K-20008K-PNE
海德丽200气动入墙式隐藏水箱,2.6/4.0L(不含固定支架) .....	K-78073T-PNE
海德丽200气动入墙式隐藏水箱,2.6/4.0L(不含固定支架) .....	K-78073K-PNE
海德丽200气动入墙式隐藏水箱,3.0/4.5L(不含固定支架) .....	K-78074T-PNE
3.5/5.0升海德丽200 气动 无框架入墙式隐藏水箱(瑞芙落地) .....	K-78074T-RES
3.5/5.0升海德丽200 气动 无框架入墙式隐藏水箱(艾思格尔落地) .....	K-78074T-ESS
3.0/4.5升海德丽200 气动 无框架入墙式隐藏水箱(维亚落地).....	K-78074T-VLS
3.0/4.5升海德丽200 气动 无框架入墙式隐藏水箱(维亚落地).....	K-78074T-VLSL
3.0/4.5升海德丽200 气动 无框架入墙式隐藏水箱(维亚落地HC130) .....	K-78074T-VL130
3.0/4.5升海德丽200 气动 无框架入墙式隐藏水箱(维亚落地HC150) .....	K-78074T-VL150
海德丽200气动入墙式隐藏水箱,3.0/4.5L(不含固定支架) .....	K-78074K-PNE
海德丽200气动入墙式隐藏水箱,3.0/6.0L(不含固定支架) .....	K-78075T-PNE
海德丽200气动入墙式隐藏水箱,3.0/6.0L(不含固定支架) .....	K-78075K-PNE
佩欧珀隐藏水箱面板(气动版)(可选配).....	K-20341T-PNE
灵珂气动隐藏水箱面板(可选配).....	K-75890T-PNE
明莱隐藏水箱面板(可选配).....	K-23055T-PNE

### Function Explanation

### 功能说明

- Anti flow-backwards
- Adjustment of inlet water level
- Adjustment of flushing volume
- Single/double gear flushing
- Assemble, disassemble and maintenance can be done without tools.
- 防倒流功能
- 进水水位可调节功能
- 排水水量可调节功能
- 双档冲水功能
- 无需工具用手即可实现拆装维修。

## Design And Installation Concept Of In-wall Tank

- Installation of in-wall tank is much easier and nice-looking comparative to that of traditional tank. Meanwhile, the space layout will be more reasonable due to the application of in-wall tank pipes and connectors.
- The most remarkable advantage of in-wall tank is that the installation will never be limited to certain area, and can be installed wherever as you wish, which will make the bathroom layout more reasonable and nice-looking, and make good use of every inch of the bathroom space.

### 隐藏水箱设计安装概念

- 隐藏水箱提供了简单快捷的安装方式，与传统的安装方式相比更完善、更美观。同时由于使用了隐藏的管路布置，使空间布局更为合理。
- 使用隐藏水箱的显著优点是不再限于某一固定的地方安装，可以灵活地设置，从而可以使整个浴室布局更为合理、更为美观，充分利用每一寸可用空间。

## Advantages Of In-wall Tank

- Made of macromolecular materials that prevents corrosion and leaking.
- Advanced water tank fitting, which makes possible the adjustment of the water discharge and double flush.
- Will not affect the structure of the wall and provides excellent sound insulation.
- Easy installation and time efficient.
- Do not need to prepare any other spare parts.
- Easy maintenance and servicing.
- Clean, garbage free, and space saving.

## 隐藏水箱的优点

- 抗冲击，耐腐蚀的高分子材质水箱，杜绝漏水的可能性。
- 先进的水箱配件，可以调节排水量，以及具有双档冲水的技术功能。
- 不影响墙体结构，出色的隔音效果。
- 安装简便、快捷，省时省力。
- 无需准备其它的安装配件。
- 维护简易，无需改动墙体。
- 卫生清洁，无垃圾陈积，节省空间。

## SPECIFICATIONS

## 规格

Liter per flushing 冲洗水量	K-20008T-PNE K-20008K-PNE K-78075T-PNE K-78075K-PNE	Full flushing volume: 6.0L Half flushing volume: 3.0L 大档水量: 6.0L 小档水量: 3.0L
	K-20007T-VLS K-20007T-DNSW K-20007T-DNW K-20007T-VABW K-20007T-RES K-78074T-RES K-78074T-ESS	Full flushing volume: 5.0L Half flushing volume: 3.5L 大档水量: 5.0L 小档水量: 3.5L
	K-20007T-PNE K-20007K-PNE K-78074T-PNE K-78074K-PNE K-78074T-VLS K-78074T-VLSL K-78074T-VL130 K-78074T-VL150	Full flushing volume: 4.5L Half flushing volume: 3.0L 大档水量: 4.5L 小档水量: 3.0L
	K-20006T-PNE K-20006K-PNE K-78073T-PNE K-78073K-PNE	Full flushing volume: 4.0L Half flushing volume: 2.6L 大档水量: 4.0L 小档水量: 2.6L
Temperature 使用温度	Environmental temperature: 1°C~55°C, Water temperature: 1°C~45°C 环境温度: 1°C~55°C, 水温 1°C~45°C	
Water Supply 供水条件	Min water supply: 0.02MPa (dynamic pressure) Max water supply: 0.74MPa (static pressure) 最低供水条件: 0.02MPa (动压) 最高供水条件: 0.74MPa (静压)	

## RECOMMENDES TOOLS AND MATERIALS 所需工具及材料

- Open end/adjustable wrenches
- Allen wrench
- Knife
- File
- Hacksaw
- Masonry
- Level
- Screw driver
- Insulation tape
- Tape measure
- Seal tape
- Bushing
- Lubricant
- 开口/活动扳手
- 内六角扳手
- 美工刀
- 锉刀
- 钢锯
- 冲击钻
- 水平尺
- 十字螺丝刀
- 绝缘胶布
- 卷尺
- 生料带
- 电工套管
- 润滑油

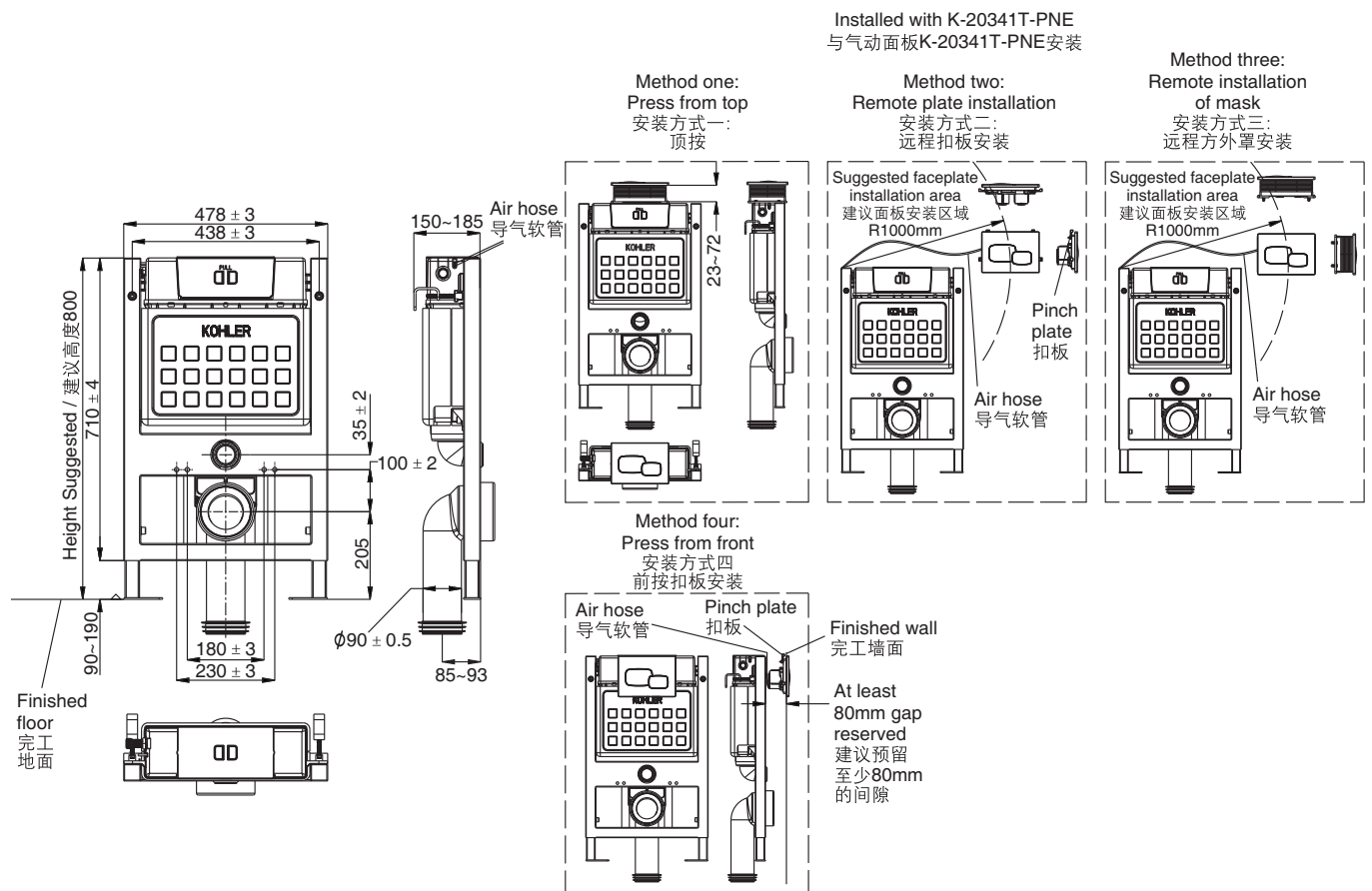
## ROUGHING-IN

## 尺寸图

Reference Value  
参考值

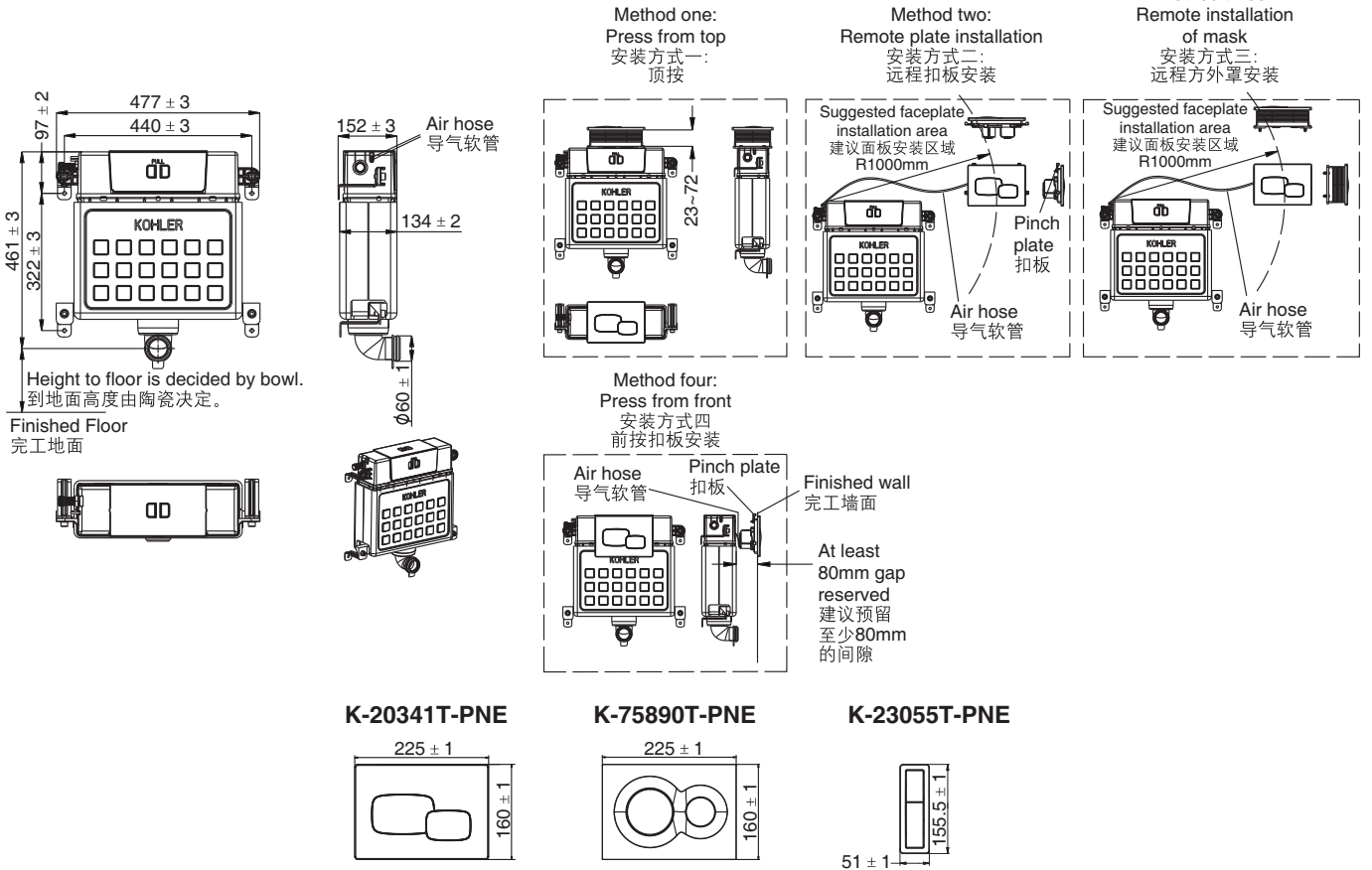
UNIT: mm  
单位: 毫米

K-20006T-PNE/K-20006K-PNE/K-20007T-PNE/K-20007T-VLS/K-20007T-DNSW  
K-20007T-DNW/K-20007T-VABW/K-20007T-RES/K-20007K-PNE/K-20008T-PNE/K-20008K-PNE



K-78073T-PNE/K-78073K-PNE/K-78074T-PNE/K-78074T-RES/K-78074T-ESS/K-78074T-VLS  
K-78074T-VLSL/K-78074T-VL130/K-78074T-VL150/K-78074K-PNE/K-75075T-PNE/K-78075K-PNE

Installed with K-20341T-PNE  
与气动面板K-20341T-PNE安装

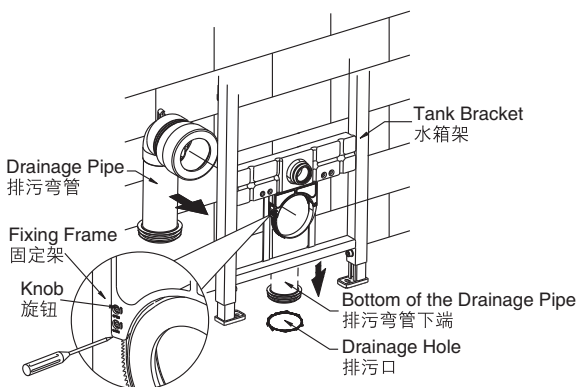
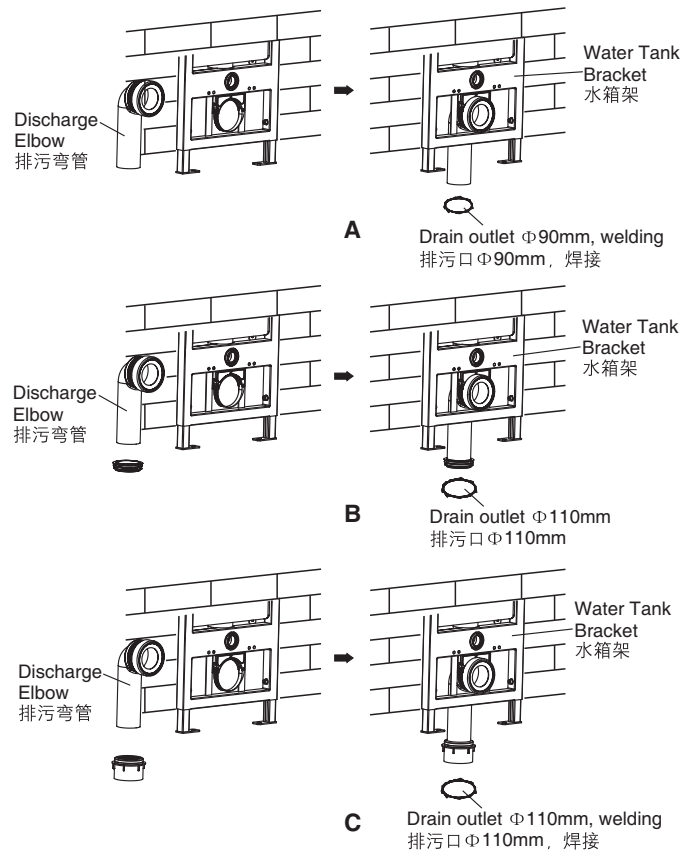


### Floor Discharge Installation Method

There are three methods (A, B and C) for drainage pipe installation. Loosen the knob "open" on the fixing frame, put the drainage pipe into the fixing frame, then adjust and tighten the knob "lock". Fill the bottom of the drainage pipe in the drainage hole.

### 地排安装方法

根据实际情况有三种排污管安装方法A、B和C。把固定架的旋钮“open”旋松，将排污弯管装进固定架上，然后调整好位置后用螺丝刀旋紧“lock”使排污弯管紧固即可。最后再把排污弯管的下端塞进排污口上。



Kohler reserves the right to change marked dimensions without prior notice.  
科勒公司保留随时变更图中标示尺寸的权利，无需另行通知。

# INSTALLATION

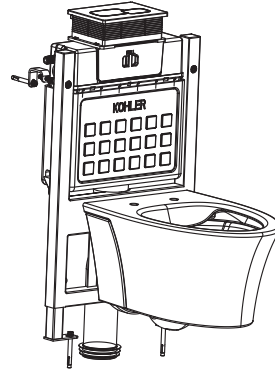
# 安装

## Way of Installation

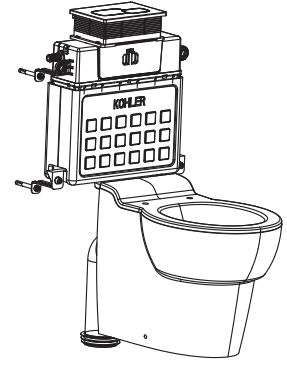
There are two ways to install this product: in-wall tank with frame & in-wall tank without frame

## 安装方式

本产品具有两种安装方式：入墙式隐藏水箱(含固定支架)座便器  
入墙式隐藏水箱(不含固定支架)座便器



In-wall Tank With Frame  
入墙式隐藏水箱(含固定支架)座便器



In-wall Tank Without Frame  
入墙式隐藏水箱(不含固定支架)座便器

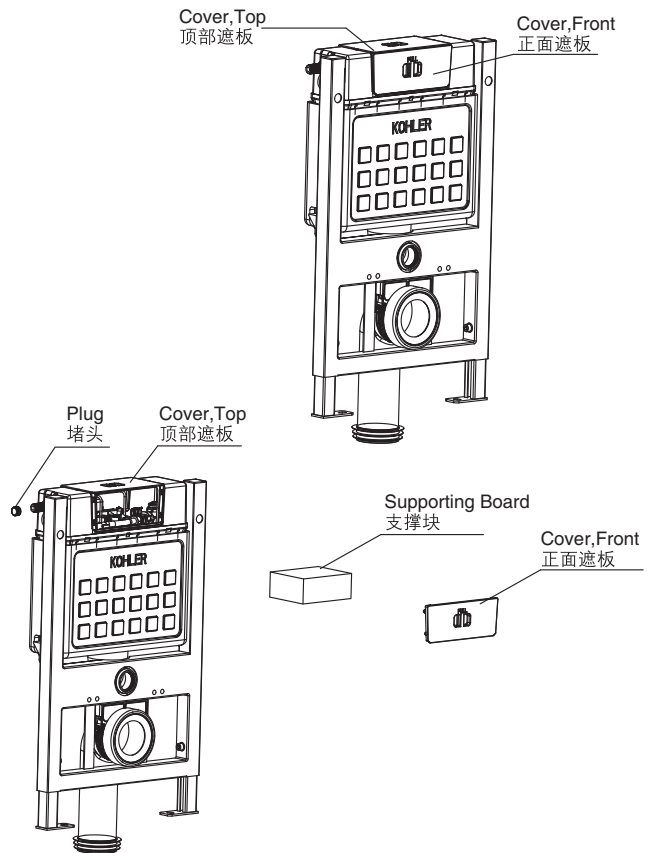
## Installation For In-wall Tank With Frame 入墙式隐藏水箱(含固定支架)座便器的安装

### A. Installation of In-wall Tank

#### A. 隐藏水箱的安装

1. Remove in-wall tank from packing box. Remove front cover board or top cover board inside water tank first as shown. Then remove support block and plug above bracket assembly.

1. 从包装箱中取出隐藏水箱，如图首先把水箱里的正面遮板或顶部遮板取下，再取出支架组件上方的支撑块和堵头。

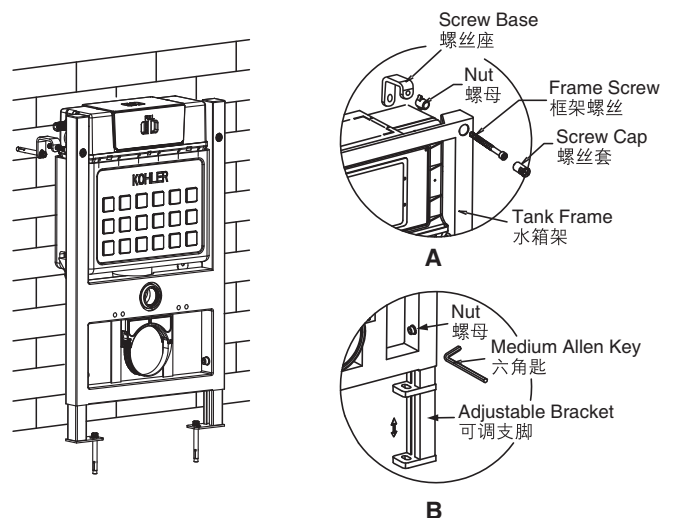


2. Insert the frame screw and screw cap in the holes of fixing frame, lock the frame screw with nut, then tighten the frame screws on the fixing frame with medium Allen key as shown in illustration A.

Tighten the bolts with medium Allen key as shown in illustration B, and adjust the height of the adjustable bracket according to customer's requirements.

2. 如图A将框架螺丝连同螺丝套装在水箱架小孔内。然后将螺母锁紧在框架螺丝上固定，然后用内六角扳手拧紧在水箱架上。

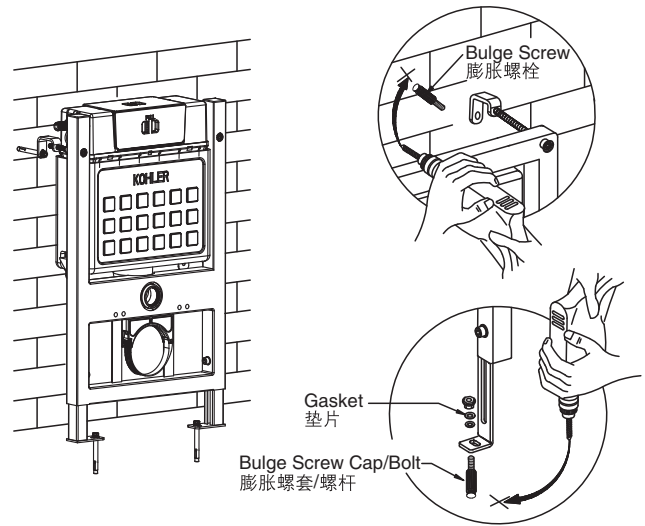
如图B用六角匙拧紧螺母，使可调支脚可以按照客户的理想高度进行调节。





3. Drill four holes with diameter of 10mm and depth of 80mm with churn drilling as shown, and fill in the holes with bulge screw and tighten the screw.

3. 如图用冲击钻钻四个 $\varnothing$ 10mm深80mm的小孔，然后装上膨胀螺栓，拧紧螺母。

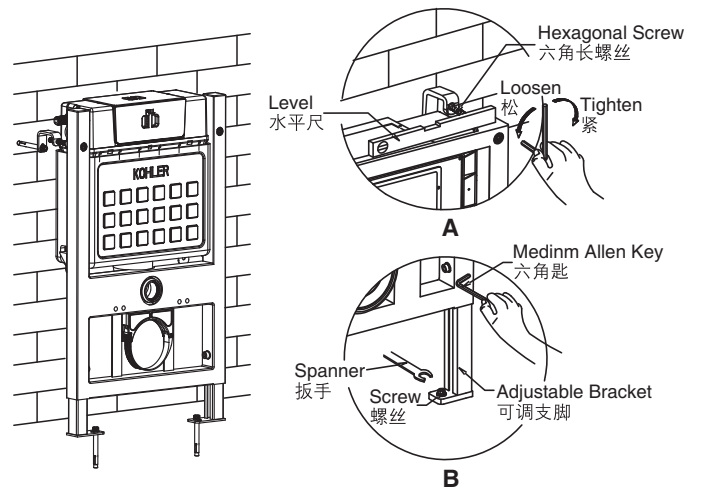


4. Tighten the hexagonal long screw with medium Allen key as shown in illustration A. Tighten the screw of adjustable brackets with medium Allen key as shown in illustration B, and tighten the long screw with spanner.

**NOTE: Ensure the tank to remain level.**

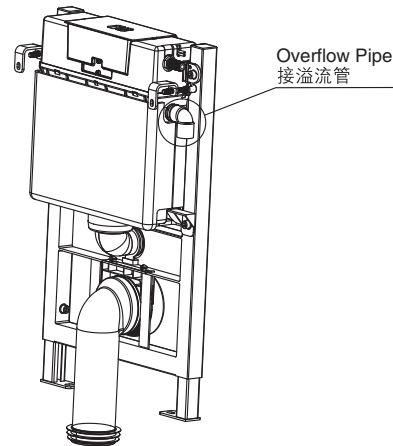
4. 如图A用六角匙把六角长螺丝拧紧。如图B用六角匙将可调支架的螺丝拧紧，再用扳手拧紧螺丝。

注：水箱一定要保持平衡。



Connect with overflow pipe on the side when installing K-20006K-PNE/K-20008K-PNE.

K-20006K-PNE/K-20008K-PNE施工时侧边接溢流管。

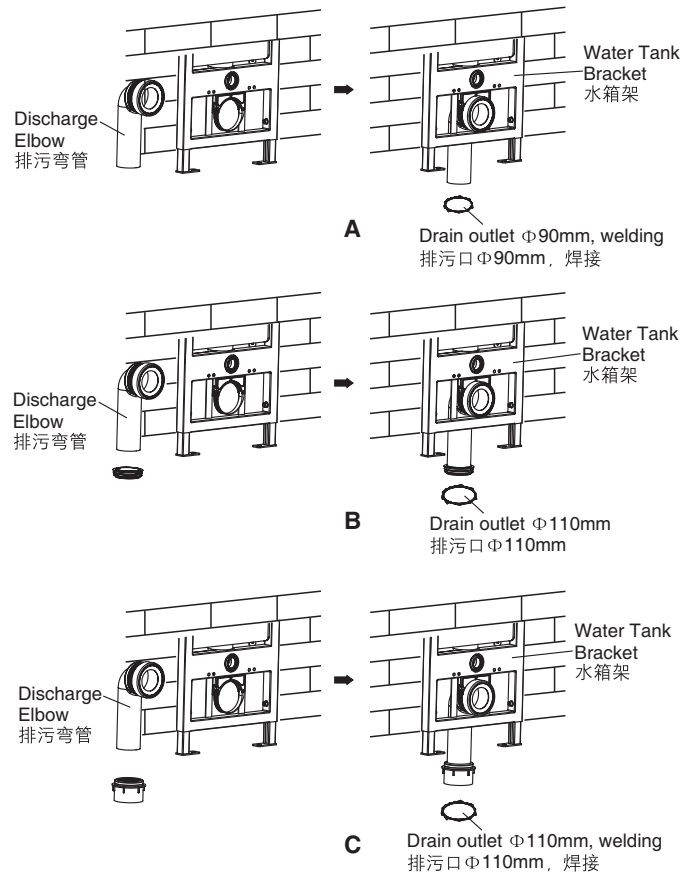
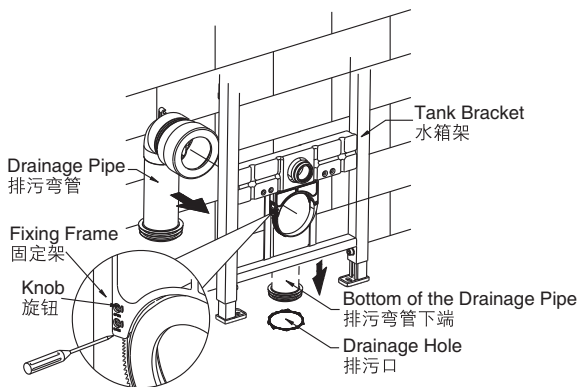


## B. Floor Discharge Installation Method

### B. 地排安装方法

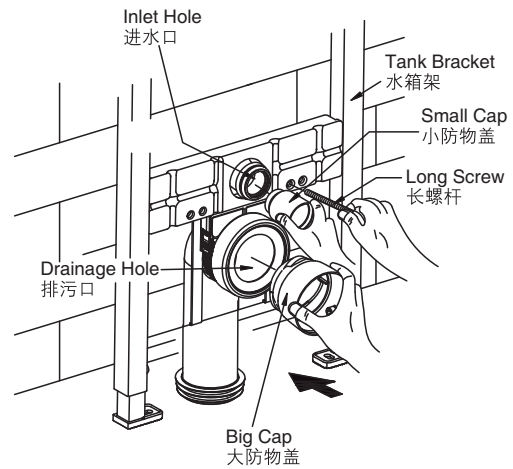
1. There are three methods (A, B and C) for drainage pipe installation. Loosen the knob "open" on the fixing frame, put the drainage pipe into the fixing frame, then adjust and tighten the knob "lock". Fill the bottom of the drainage pipe in the drainage hole.

1. 根据实际情况有三种排污管安装方法A、B和C。把固定架的旋钮“open”旋松，将排污弯管装进固定架上，然后调整好位置后用螺丝刀旋紧“lock”使排污弯管紧固即可。最后再把排污弯管的下端塞进排污口上。



2. Tighten the long screw into the holes of the tank bracket and cover the drainage hole with the big cap, cover the inlet hole with the small cap.

2. 如图将长螺杆旋入水箱架的螺丝孔上，再将大防物盖装在排污口上，小防物盖装在进水口上。

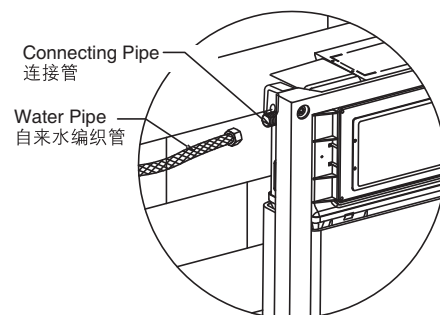


3. Connect tap water braided tube on the top of water tank for water supply as shown.

Note: 1. Ensure water tank internal valve is OFF.  
2. Suggestion: connect a temporary rubber or plastic hose on valve, flush water supply pipeline. Ensure water is clean, no residual sand stone or fouling inside pipeline.

3. 如图所示将自来水编织管装在水箱连接管上供水。

注: 1. 确保水箱内部进水角阀为关闭状态。  
2. 建议在连接供水时，在角阀上连接一个临时橡皮或塑料软管，冲洗供水管道，确保管路中的水干净，管道内无沙石、垢污等。



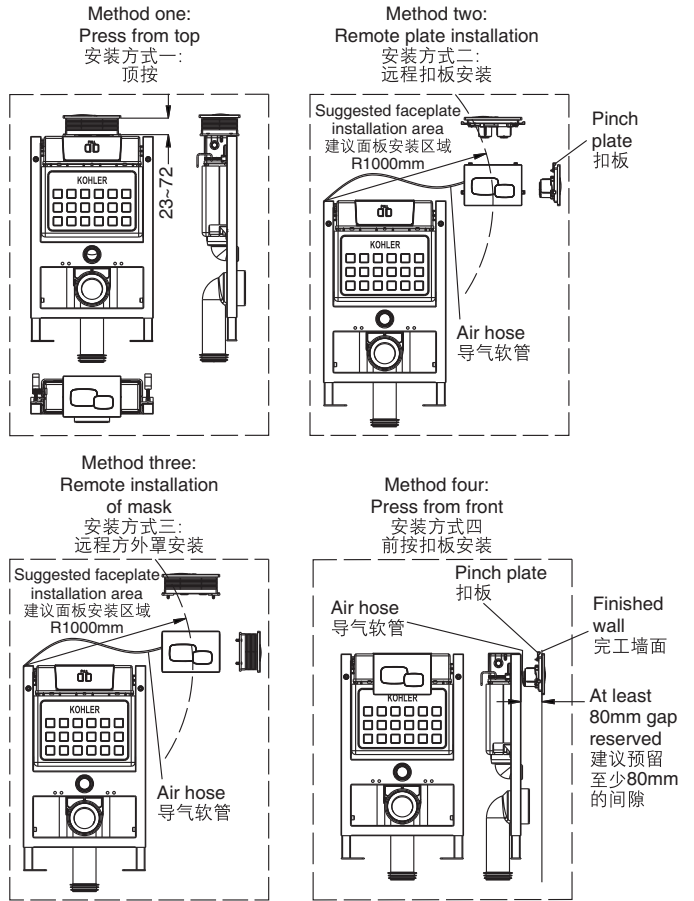


4. According to different faceplates, there are different installations of access panel as below.

4. 根据不同面板，检修口有如下安装方式：

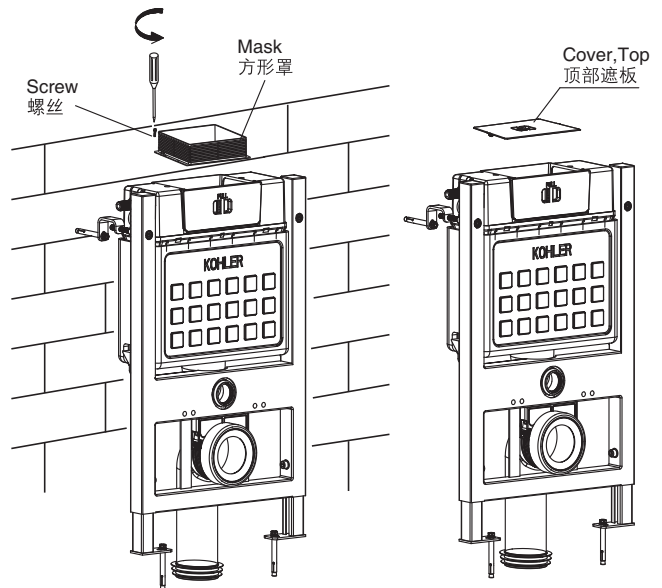
- 1) K-20341T-PNE/K-75890T-PNE Access Panel Installation Methods:  
 There are four ways to install access panel:  
 Method one: Press from top  
 Method two: Remote plate installation: fix four plates with screws  
 Method three: Remote installation of mask  
 Method four: Press from front: fix four plates with screws

- 1) K-20341T-PNE/K-75890T-PNE检修口安装方法：  
 首先根据面板安装的实际情况有四种安装方式：  
 安装方式一：顶按  
 安装方式二：远程扣板安装：四个扣板通过螺丝固定  
 安装方式三：远程方外罩安装  
 安装方式四：前按扣板安装：四个扣板通过螺丝固定



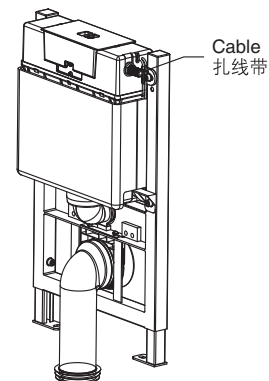
A. Method one: Install mask when pressing from top  
 a) Remove top plate, then install the rectangular shield on the top of the tank, and tighten the screw to fix the mask to the tank.

A. 面板安装方式一：顶按时，方外罩安装  
 a) 如图首先取下顶部遮板，然后将方外罩装在水箱的顶部，再拧紧螺丝使方外罩紧固在水箱上。



b) Cut apart the cable of the air hose and pull it out from the mask.

b) 将导气软管的扎线带剪开，导气软管从方外罩引出。



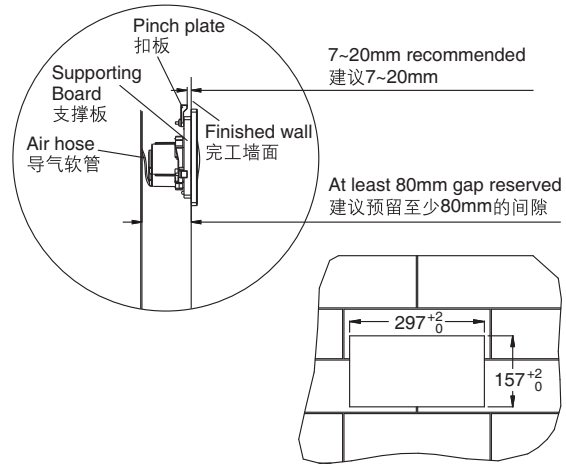
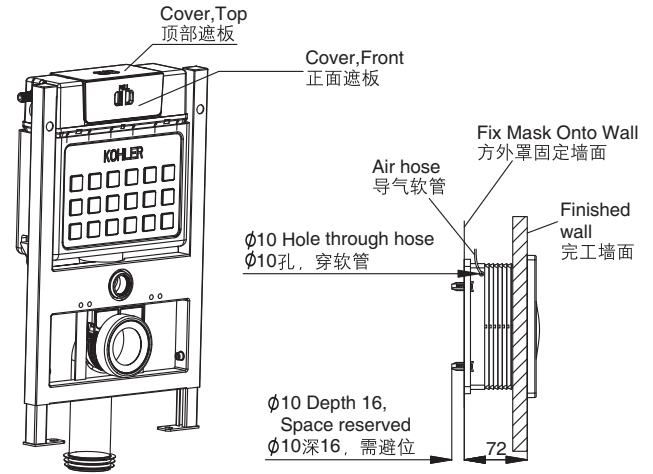
B. Methods two and three: During remote installation, fix the cover onto the tank and pull the air hose to the panel. Reserve access panel at front or top to ensure removal and installation of cover.

B. 面板安装方式二和三，远程安装时，将遮板装到水箱，导气软管引到面板安装的位置。水箱遮板前方或上方预留检修口，确保遮板能从检修口取出和安装。

Method two: During remote plate installation, 7~20mm thickness is recommended for the wall of the pinch plate and at least 80mm gap is reserved. Recommended installation hole size of  $297^{+2}_0 \times 157^{+2}_0$  mm to remote plate installation.

Method three: During remote installation of mask, 4 holes with diameter of 10mm and depth of 16mm are needed to be reserved at the locating hose. Drill 10mm holes through air hose on the side of mask.

面板安装方式二，远程扣板安装，扣板处假墙厚度建议7~20mm，预留最小间隙80mm。扣板安装的建议安装孔尺寸 $297^{+2}_0 \times 157^{+2}_0$  mm。  
面板安装方式三，远程方外罩安装，定位管处需预留4个直径10mm深16mm孔，方外罩侧边钻直径10mm孔穿导气软管。

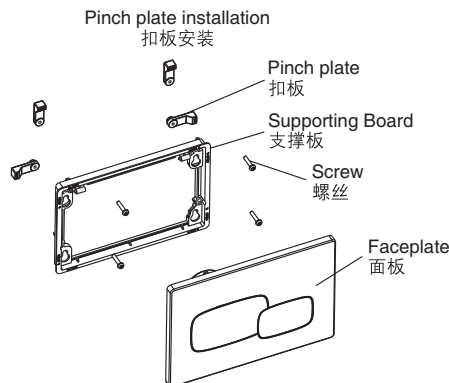


C. Method four: Cut apart the cable of the air hose. Pull it out from the front of the tank and meanwhile reserve the access panel. Fix the four plates with screws and then fix the support board.

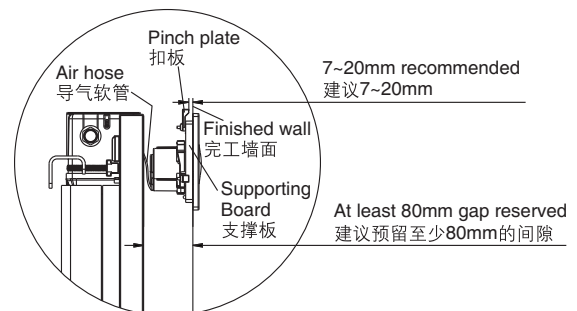
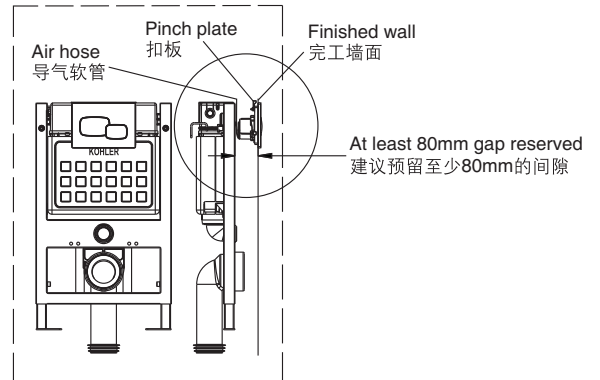
**Note:** No direct contact between the faceplate and the tank.  
7~20mm thickness recommended for the wall of the pinch plate.  
Recommended installation hole size of  $297^{+2}_0 \times 157^{+2}_0$  mm to remote plate installation.

C. 面板安装方式四：前按扣板安装时，将导气软管的扎线带剪开，导气软管从方外罩前方，并预留检修口引出，四个扣板通过螺丝固定，进而固定支撑板。

注：面板与水箱不直接接触。  
扣板处假墙厚度建议7~20mm。  
扣板安装的建议安装孔尺寸 $297^{+2}_0 \times 157^{+2}_0$  mm。



Method four:  
Press from front  
安装方式四  
前按扣板安装



2) K-23055T-PNE access panel installation and installation hole size

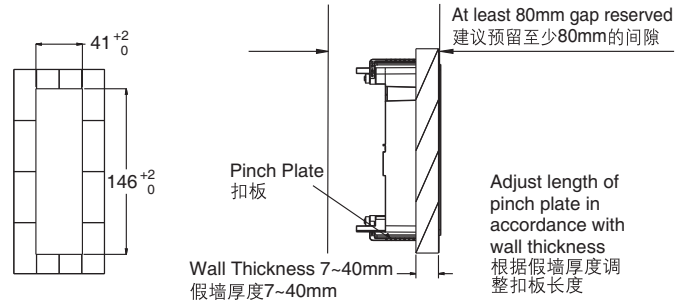
2) K-23055T-PNE面板检修口及安装口安装方式

There is only remote installation with K-23055T-PNE, During remote installation, fix the cover onto the tank and pull the air hose to the panel. Reserve access panel at front to ensure removal and installation of cover.

本面板仅有远程扣板安装，远程安装时，将遮板装到水箱，导气软管引到面板安装位置。水箱遮板前方预留检修口，确保遮板能从检修口取出和安装。

Recommended installation hole size of  $146^{+2}_0 \times 41^{+2}_0$  mm.

此面板的安装口开口尺寸  $146^{+2}_0 \times 41^{+2}_0$  mm 见右图。

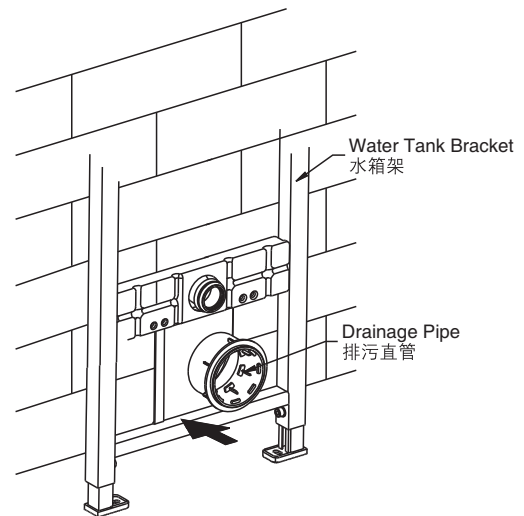


## C. Installation of P-trap

### C. 横排安装方法

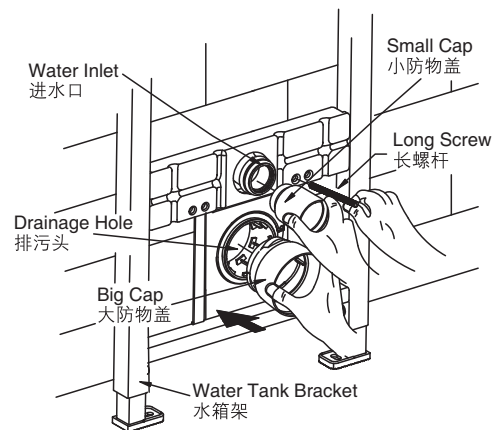
1. Insert drainage pipe with inner diameter  $\Phi 110$ mm into drain elbow and weld.

1. 将排污直管装入内径  $\Phi 110$ mm 的排污管道，焊接。



2. Tighten the long screw into the holes of the tank bracket and cover the drainage hole with the big cap, cover the inlet hole with the small cap.

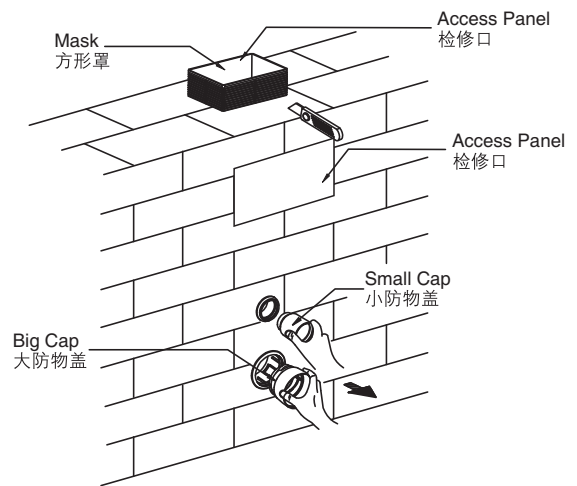
2. 如图将长螺杆旋入水箱架的螺丝孔中，再将大防物盖装在排污头上，小防物盖装在进水口上。



- When finishing the brickwork of the wall, take out the big and small caps, and eliminate unwanted mask with a sharp knife, if there is mask.

**Note:** Reserve access panel at front or top of the tank.

- 如图砌完墙后。将大、小防物盖取出，然后根据需要，有方外罩时用水口刀把方形罩多余的长度锯掉。  
注：水箱的前方或者上方预留检修口。

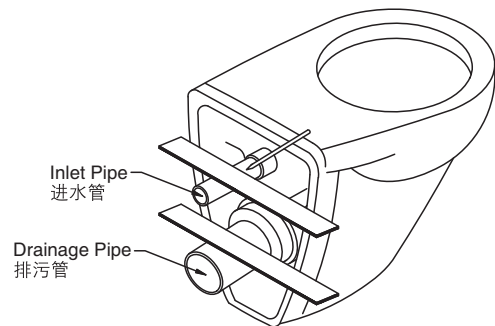


## D. Installation of Toilet

### D. 座便器安装方法

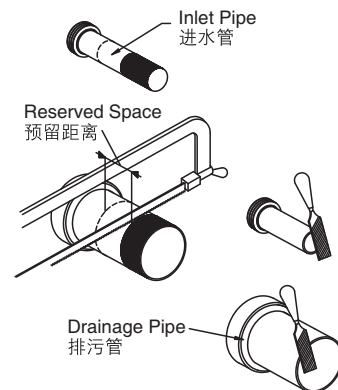
- Install the inlet pipe to the lavatory as shown, and mark on the pipes at the back side of the tank with a ruler and a pencil, and reserve appropriate space according to the distance from the back of the tank to the inlet hole on the wall.

- 按图将排污管、进水管装在座便器上，用直尺放在座便器后面的排污管、进水管用铅笔作标记。再根据座便器后面到墙壁排污头的实际情况作预留距离。



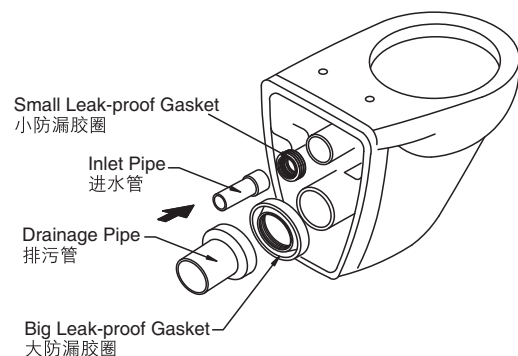
- Eliminate unwanted part of the inlet pipe according to the marks of reserved space, and rasp a smooth surface with files.

- 如图在排污管、进水管已作标记的后端预留的位置上将多余部分锯掉。然后再用锉刀将锯掉的面锉平整并倒角。



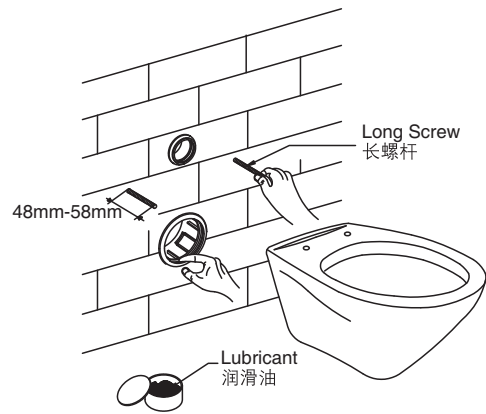
- Install the big and small leak-proof gaskets on inlet pipe and outlet pipe, then install it to corresponding pipes on the toilet tank.

- 如图将座便器的排污管、进水管装上大、小防漏胶圈，然后装在座便器的相对应管道。



4. 48mm-58mm of the long screw shall be reserved outside the wall as shown in the illustration. if the long screw outside the wall is not long enough or much longer than that needed, it should be adjusted with screwdriver or by hand. Then apply lubricant to drainage pipe and limber pipe to ensure a smooth installation.

4. 如图长螺杆在墙壁上凸出来的尺寸应该保留48mm-58mm。假如长螺杆长度不够或过长就用手或螺丝刀适量调节。然后在排污头、排水孔上涂上润滑油，使排污管、排水管安装顺畅。



5. Install the toilet as shown in the illustration, and use a spirit level to ensure the lavatory to remain level.

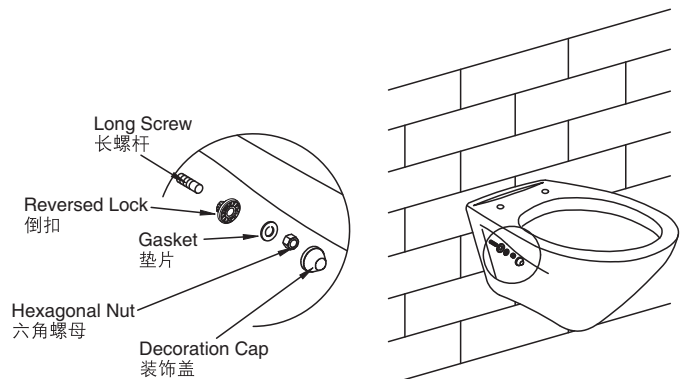
5. 如图将座便器装上，并用水平尺测量座便器是否平衡。



6. Install the reserved lock, gasket, hexagonal nut and decoration cap onto long screw according to the order shown in the illustration.

**Note:** Please refer to the installation instructions of toilet.

6. 如图首先将倒扣、垫片套在长螺杆上。然后拧紧六角螺母，最后盖上装饰盖即可。  
注：实际安装座便器时，依照对应座便器的安装方法。



## E. Faceplate Installation

### E. 面板安装方法

According to different faceplates, there are different faceplate installations as below:

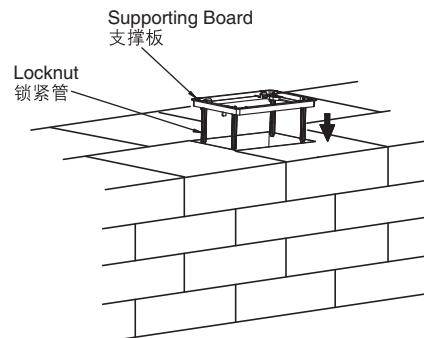
根据不同面板，面板有如下安装方式：

1. K-20341T-PNE/K-75890T-PNE installation

1. K-20341T-PNE/K-75890T-PNE 面板安装方式

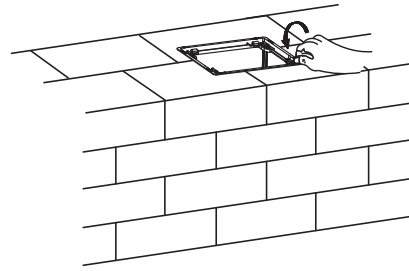
1) When tighten four locknuts on supporting board, adjust to "OPEN" mark as shown.

1) 如图将支撑板装上时，把四颗锁紧管调整在标识“OPEN”字样装上。



2) Tighten four screws to "LOCK" mark after installing supporting board as shown.

2) 如图将支撑板装上后，把四颗锁紧管旋转到“LOCK”字样即可。

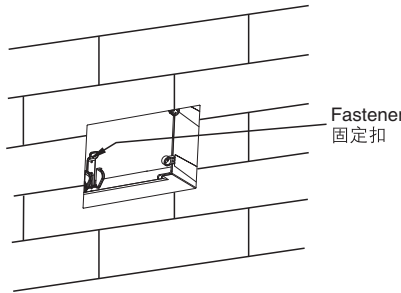
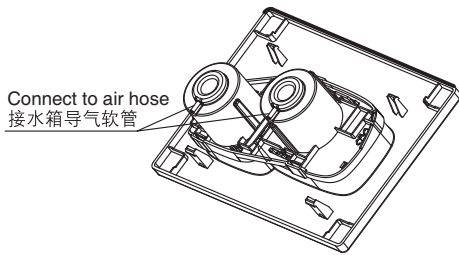
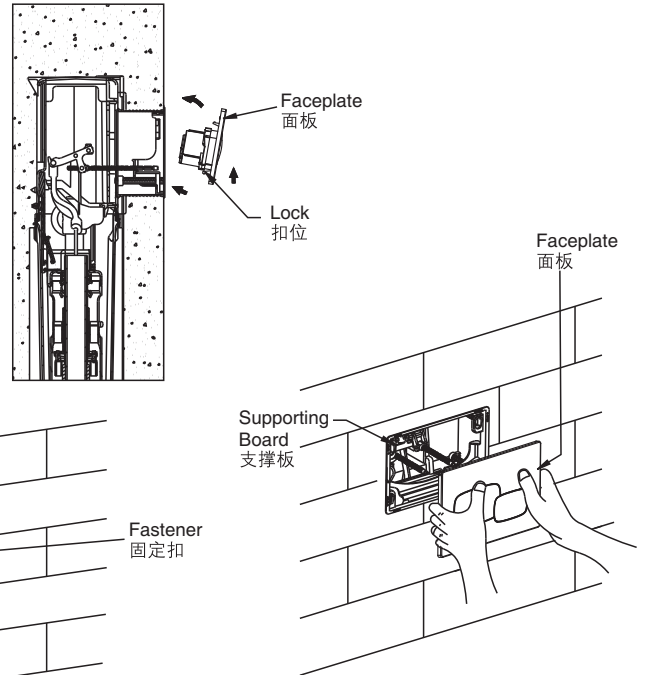


3) Install the big flush air hose and small flush air hose to the cover. Put the lock on the cover directly on the reversed lock on supporting board, then push the cover and lock it. The installation shall begin from bottom to top.

**Note:** Cut the excessive parts of the air hose if necessary and fix it onto the tank fastener.

3) 如图将水箱的大排导气软管和小排导气软管装入面板，将面板的扣位对准调节板的倒扣。然后用力向上推，再向前扣紧。安装时要注意从下而上安装。

注：根据实际情况将导气软管的多余部分切除，并固定在水箱固定扣上。

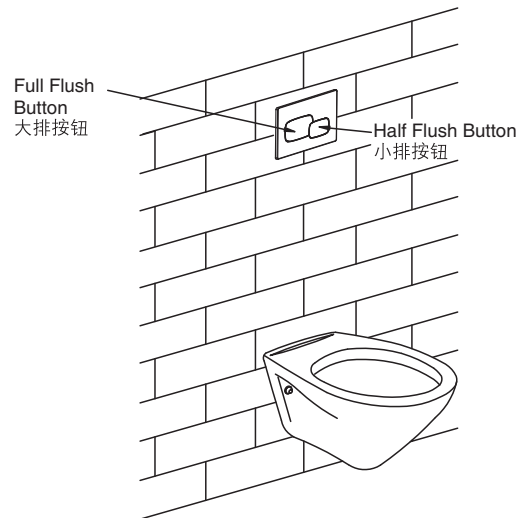


4) It is ready to use when connected to water supply after installation.

**Note:** Reserve access panel at front or top of the tank in remote installation.

4) 安装完毕，通水使用。

注：远程安装时，水箱的前方或者上方预留检修口。

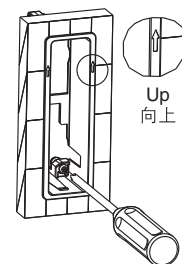


## 2. K-23055T-PNE installation

### 2. K-23055T-PNE 面板安装方式

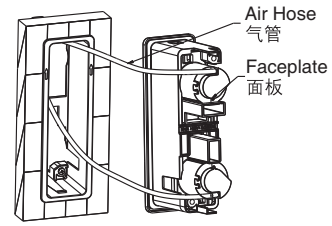
1) Suggested faceplate fixed frame installation direction.

1) 建议面板固定框安装方向。



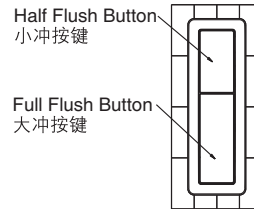
2) Connect air hose to faceplate from water tank.

2) 将从水箱引出的气管连接到面板。



3) Insert faceplate into faceplate fixed frame with half flush upward. Installation is completed.

3) 小按键朝上，将面板插入面板固定框，安装完毕。



4) It is ready to use when connected to water supply after installation.

Reserve access panel at front of the tank in remote installation.

4) 安装完毕，通水使用。

注：远程安装时，水箱的前方预留检修口。

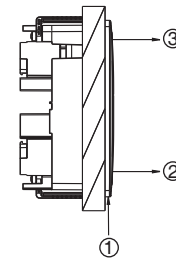
5) How to remove.

5) 如何拆卸。

① Push Up  
向上推

② Pull Out  
向外拉

③ Pull Out  
向外拉

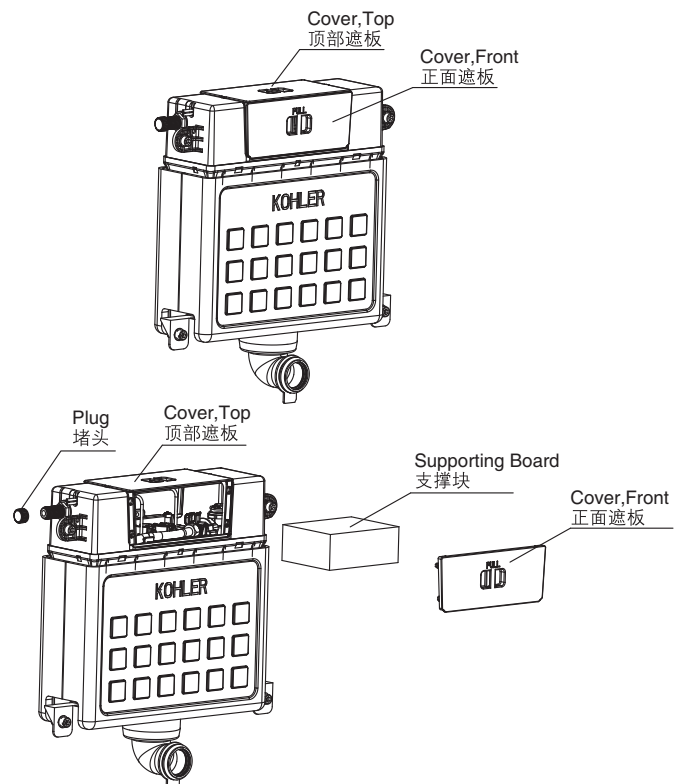


## Installation For In-wall Tank Without Frame 无框架入墙式隐藏水箱座便器的安装

### A. Installation of In-wall Tank A. 隐藏水箱的安装

1. Remove in-wall tank from packing box. Remove front cover board or top cover board inside water tank first as shown. Then remove support block and plug above bracket assembly.

1. 从包装箱中取出隐藏水箱，如图首先把水箱里的正面遮板或顶部遮板取下，再取出支架组件上方的支撑块和堵头。

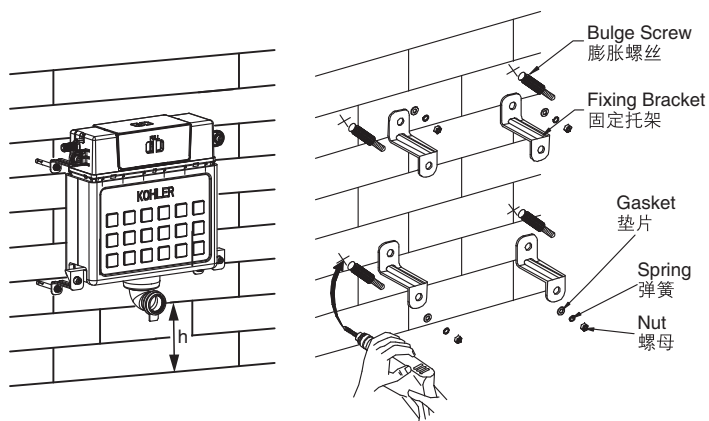




2. Make sure of h according to dimensions of bowl and then locate the installation hole of fixing bracket. Mark on the wall for appropriate position for fixing bracket, and drill four holes with diameter of 10mm and depth of 80mm with churn drilling as shown in illustration, and fill in the holes with bulge screw and tighten the screw to set the fixing bracket.

**Note: Ensure the fixing bracket to remain level.**

2. 如图首先根据座便器的尺寸确定高度h，进而确定固定托架的安装孔。在墙壁上把固定托架的安装孔作记号后，用冲击钻钻四个Ø10mm深80mm的小孔，然后装上膨胀螺丝，再把固定托架装在膨胀螺栓上拧紧螺母。
- 注：固定托架要保持平衡。

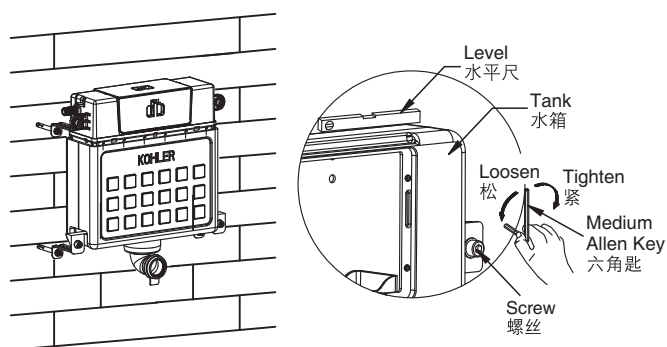


3. Put the tank onto the fixing bracket as shown in the right figure and adjust the tank to level. Then tighten screws with hex-head key.

**Note: it is a must to keep the tank level.**

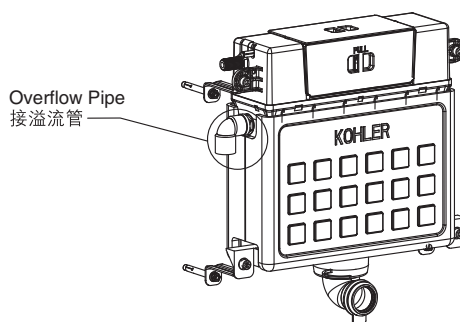
3. 如图把水箱放在固定托架上，用水平尺调整水箱平衡，再用六角匙将螺丝拧紧。

注：水箱一定要保持平衡。



4. Connect with overflow pipe on the side when installing K-78073K-PNE/K-78075K-PNE.

4. K-78073K-PNE/K-78075K-PNE施工时侧边接溢流管。

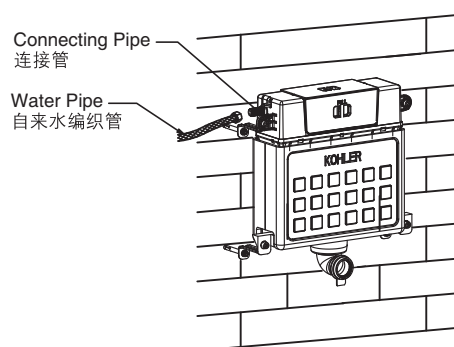


5. Connect tap water braided tube on the top of water tank for water supply as shown.

Note: 1. Ensure water tank internal valve is OFF.  
2. Suggestion: connect a temporary rubber or plastic hose on valve, flush water supply pipeline. Ensure water is clean, no residual sand stone or fouling inside pipeline.

5. 如图所示将自来水编织管装在水箱顶部连接管上供水。

注：1. 确保水箱内部进水角阀为关闭状态。  
2. 建议在连接供水时，在角阀上连接一个临时橡皮或塑料软管，冲洗供水管道，确保管路中的水干净，管道内无沙石、垢污等。



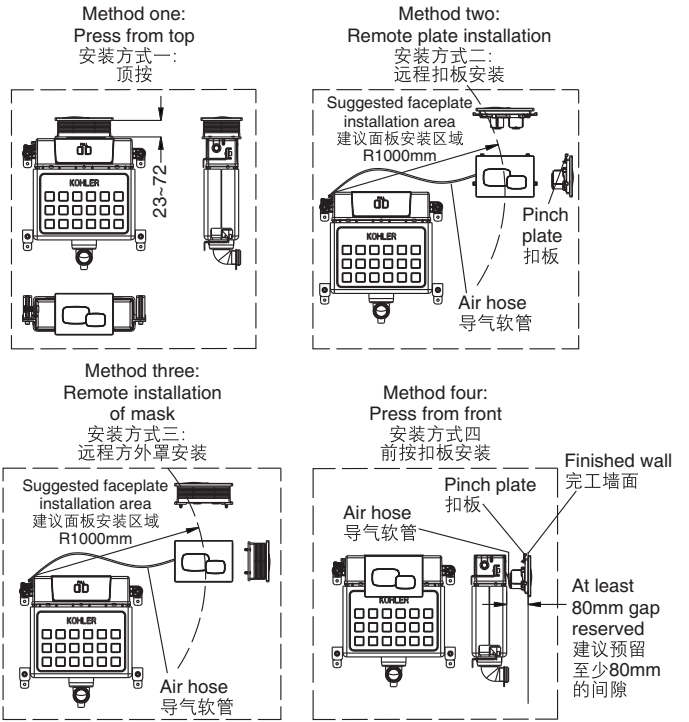


6. According to different faceplates, there are different installations of access panel as below.

6. 根据不同面板，检修口有如下安装方式：

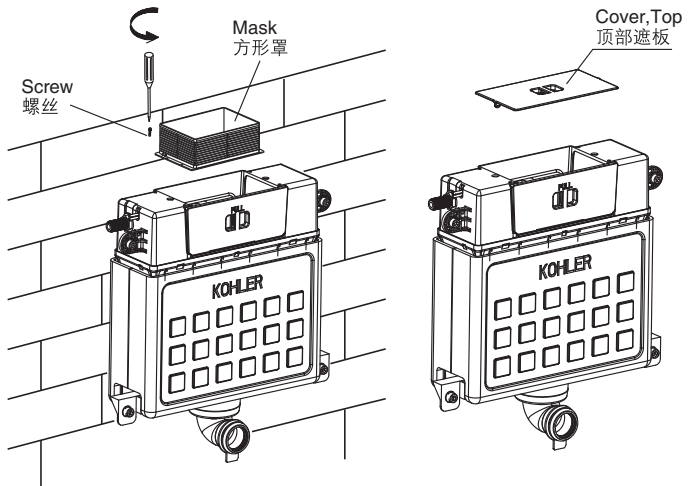
- 1) K-20341T-PNE/K-75890T-PNE Access Panel Installation Methods:  
 There are four ways to install access panel:  
 Method one: Press from top  
 Method two: Remote plate installation: fix four plates with screws  
 Method three: Remote installation of mask  
 Method four: Press from front: fix four plates with screws

- 1) K-20341T-PNE/K-75890T-PNE 检修口安装方法：  
 首先根据面板安装的实际情况有四种安装方式：  
 安装方式一：顶按  
 安装方式二：远程扣板安装：四个扣板通过螺丝固定  
 安装方式三：远程方外罩安装  
 安装方式四：前按扣板安装：四个扣板通过螺丝固定

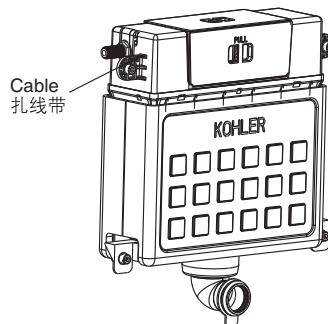


- A. Method one: Install mask when pressing from top  
 a) Remove top plate, then install the mask on the top of the tank, and tighten the screw to fix the mask to the tank.

- B. 面板安装方式一：顶按时，方外罩安装  
 a) 如图首先取下顶部遮板，然后将方形罩装在水箱上部，再拧紧螺丝使方形罩紧固在水箱上。



- b) Cut apart the cable of the air hose and pull it out from the rectangle cover.  
 b) 将导气软管的扎线带剪开，导气软管从方外罩引出。



B. Methods two and three: During remote installation, fix the cover onto the tank and pull the air hose to the panel. Reserve access panel at front or top to ensure removal and installation of cover.

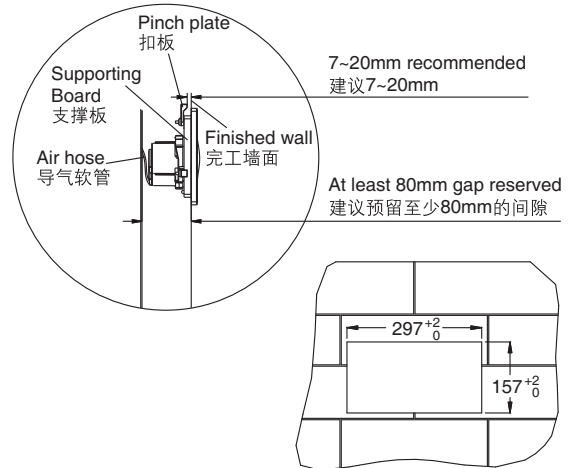
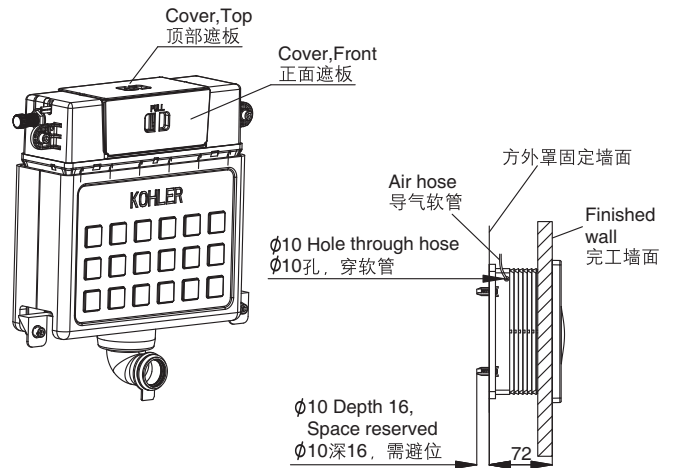
B. 面板安装方式二和三，远程安装时，将遮板装到水箱，导气软管引到面板安装的位置。水箱遮板前方或上方预留检修口，确保遮板能从检修口取出和安装。

Method two: During remote plate installation, 7~20mm thickness is recommended for the wall of the pinch plate and at least 80mm gap is reserved. Recommended installation hole size of  $297^{+2}_0 \times 157^{+2}_0$  mm to remote plate installation.

Method three: During remote installation of mask, 4 holes with diameter of 10mm and depth of 16mm are needed to be reserved at the locating hose. Drill 10mm holes through air hose on the side of the mask.

面板安装方式二，远程扣板安装，扣板处假墙厚度建议7~20mm，预留最小间隙80mm。扣板安装的建议安装孔尺寸 $297^{+2}_0 \times 157^{+2}_0$  mm。

面板安装方式三，远程方外罩安装，定位管处需预留4个直径10mm深16mm孔，方外罩侧边钻直径10mm孔穿导气软管。



C. Method four: Cut apart the cable of the air hose. Pull it out from the front of the tank and meanwhile reserve the access panel. Fix the four plates with screws and then fix the support board.

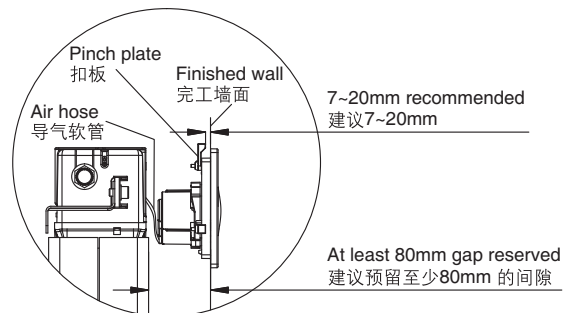
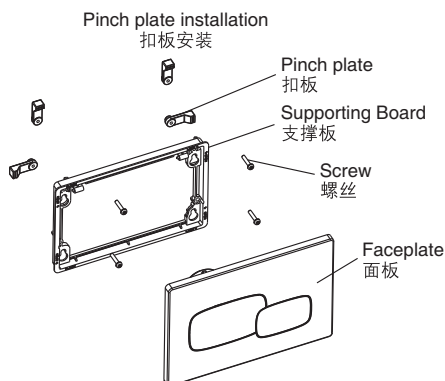
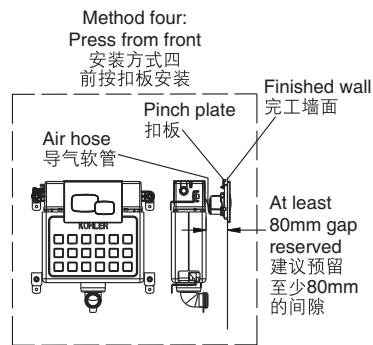
**Note:** No direct contact between the faceplate and the tank.

7~20mm thickness recommended for the wall of the pinch plate.

Recommended installation hole size of  $297^{+2}_0 \times 157^{+2}_0$  mm to remote plate installation.

C. 面板安装方式四：前按扣板安装时，将导气软管的扎线带剪开，导气软管从方外罩前方，并预留检修口引出，四个扣板通过螺丝固定，进而固定支撑板。

注：面板与水箱不直接接触。  
扣板处假墙厚度建议7~20mm。  
扣板安装的建议安装孔尺寸 $297^{+2}_0 \times 157^{+2}_0$  mm。



2) K-23055T-PNE access panel installation and installation hole size

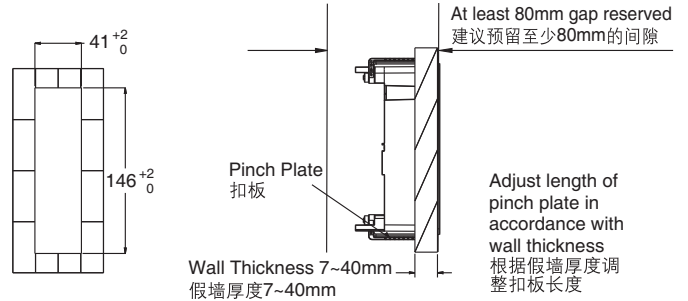
2) K-23055T-PNE面板检修口及安装口安装方式

There is only remote installation with K-23055T-PNE, During remote installation, fix the cover onto the tank and pull the air hose to the panel. Reserve access panel at front to ensure removal and installation of cover.

本面板仅有远程扣板安装，远程安装时，将遮板装到水箱，导气软管引到面板安装位置。水箱遮板前方预留检修口，确保遮板能从检修口取出和安装。

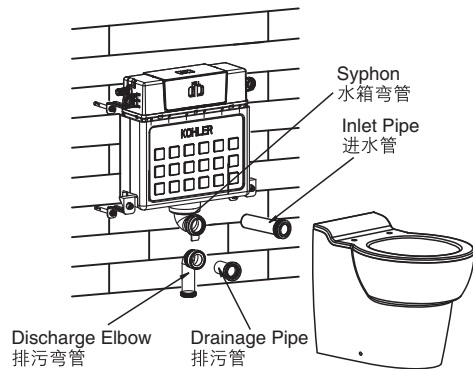
Recommended installation hole size of  $146^{+2}_0 \times 41^{+2}_0$  mm.

此面板的安装口开口尺寸  $146^{+2}_0 \times 41^{+2}_0$  mm 见右图。



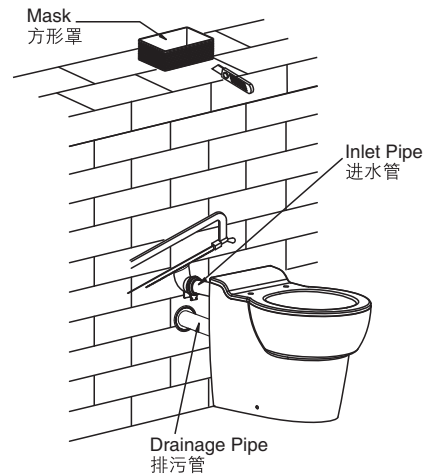
7. Insert the inlet pipe and drainage pipe into the bowl, and then adjust the syphon and drainage pipe to a proper position to be fixed into the bowl. Make sure of the positions of syphon and discharge elbow and then remove the bowl.

7. 如图将进水管和排污管装入座便器，然后调整水箱弯管及排污弯管到合适位置后装入座便器，以确定水箱弯管及排污弯管的位置，拆下座便器。



8. When finishing the brickwork, eliminate unwanted part of the mask, the drainage pipe and the inlet pipe, if there is mask.

8. 如图砌完墙后，根据需要，有方外罩时，将方形罩及进水管和排污管多余的长度用水口刀锯掉。

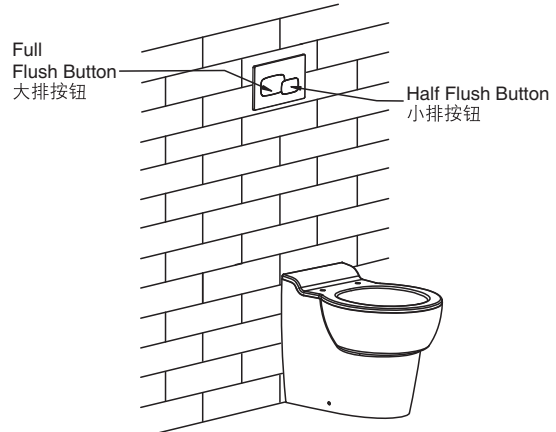


9. Fix faceplate according to step E and then it is ready for use.

**Note:** Reserve access panel at front or top of the tank in remote installation.

9. 按照步骤E安装面板，安装完毕后可以使用。

注：远程安装时，水箱的前方或者上方预留检修口。

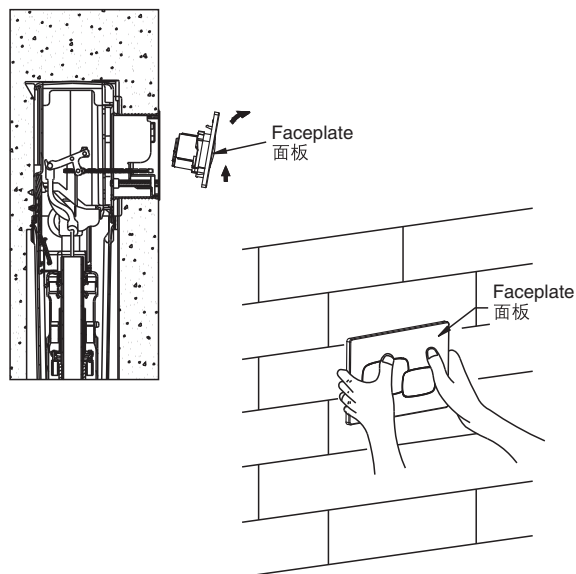
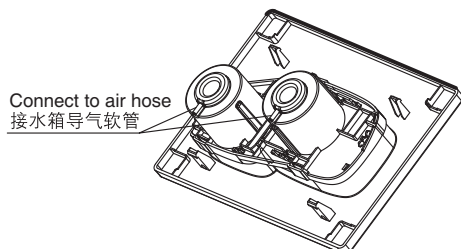


Finished Installation Illustration  
安装完毕示意图

## REMOVE AND MAINTENANCE OF THE OUTLET VALVE 排水阀拆卸与维护

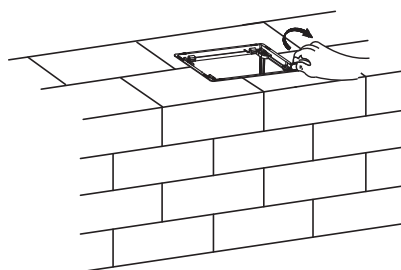
1. Remove the air hoses of the big flush and small flush.  
Then remove the faceplate.

1. 拆下面板上安装的水箱大排气软管和小排气软管后，取下面板。



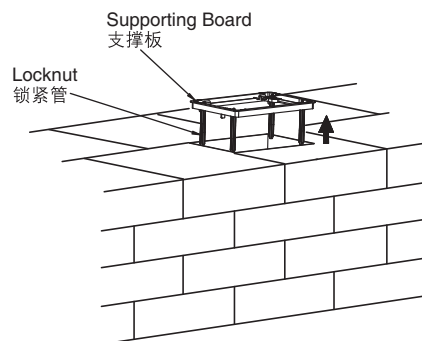
2. Pay special attention when dismantle supporting board 4 lock nuts, all bolts shall align with "OPEN" mark.

2. 如图将支撑板拆卸时注意四颗锁紧管要全部对准“OPEN”字样。



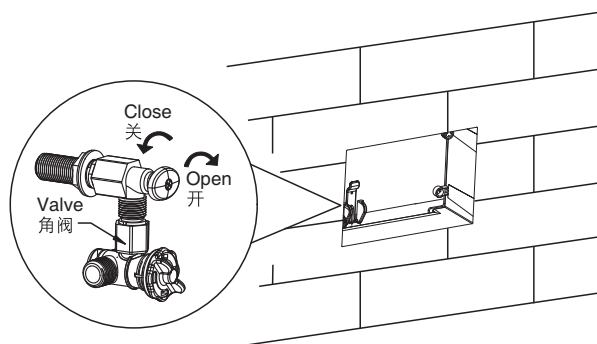
3. Dismantle supporting board as shown.

3. 如图拆出支撑板。



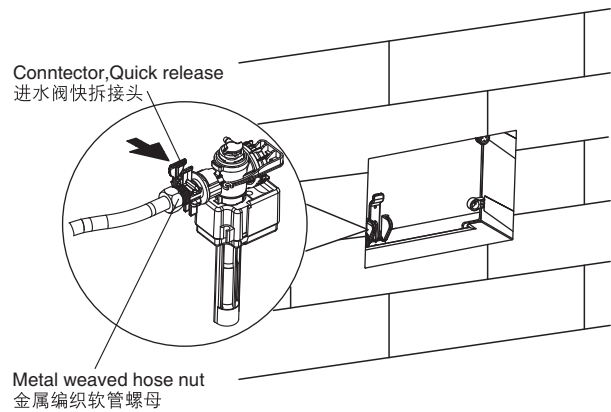
4. Open/close water supply  
Rotate valve switch to open/close water supply as shown.

4. 打开或关闭水源  
如图旋转角阀的开关可使水源打开或关闭。



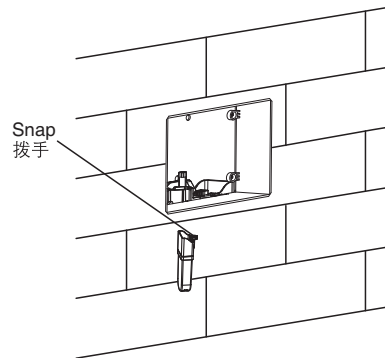
5. Unscrew the nut of the metal weaved hose and push the connector of the inlet valve as shown to remove the inlet valve.

5. 如图拧下金属编织软管螺母，按箭头方向推动进水阀快拆接头，取出进水阀。



6. Push aside the snap of the toilet detergent box to take the box out.

6. 如图拨动洁厕剂盒的拨手，取出洁厕剂盒。

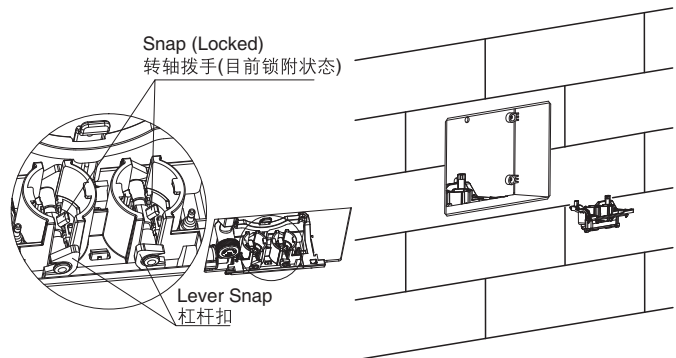


7. Push aside the pivot snaps of the big flush and small flush towards upper right to make the lever and pivot apart. Hold bracket top by hand and then lift up to unlock the bracket.

**Note:** Push aside the pivot snaps of the big flush and small flush towards lower left to fix back the bracket. Lock the snap.

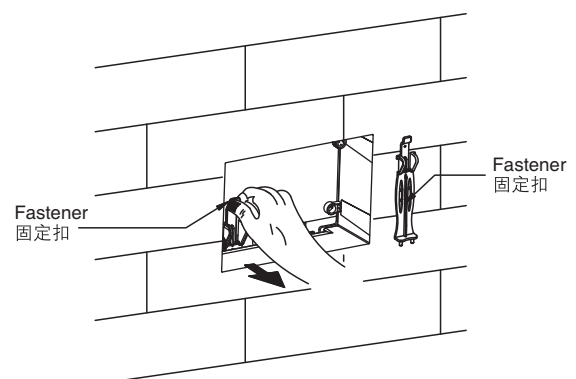
7. 右上方拨开大排和小排的转轴拨手，使杠杆和转轴分离。用手握住支架的上端，然后用力向上提拉把支架的锁紧拨开。

注：支架装回时，左下方拨动大排和小排的转轴，拨手至锁紧状态。



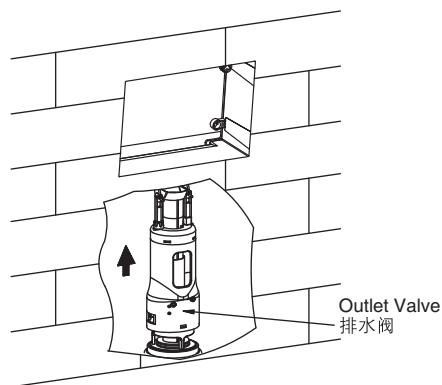
8. Hold fastener by hand as shown, pull the top of fastener along the direction of arrow. Then remove fastener.

8. 如图用手握住固定扣的上端向箭头方向拨动，然后取出固定扣。



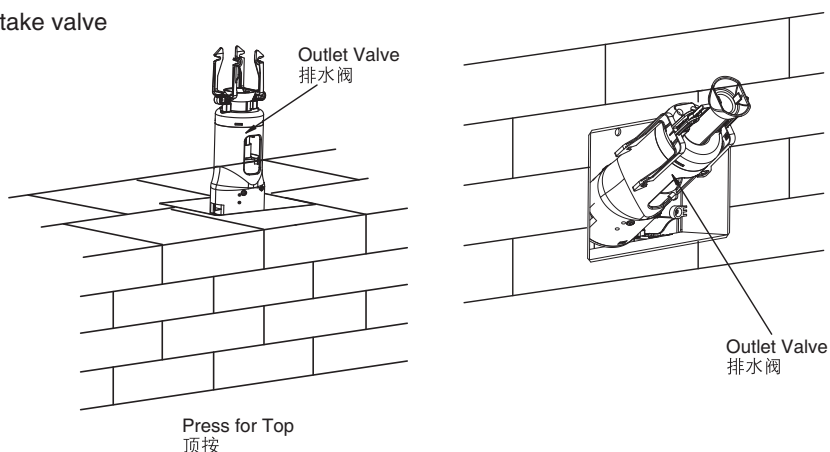
9. Pull discharge valve along the arrow direction as shown to remove discharge valve.

9. 如图将排水阀向箭头方向，可使排水阀取出。



10. Remove discharge valve as shown and then take valve out for cleaning.

10. 如图将排水阀取出后可清洁。

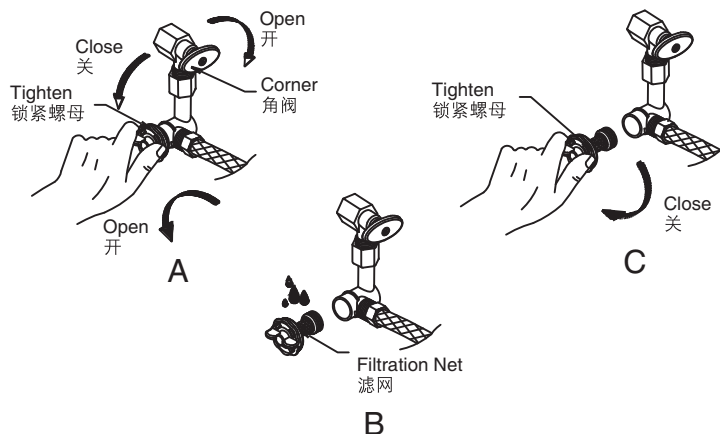
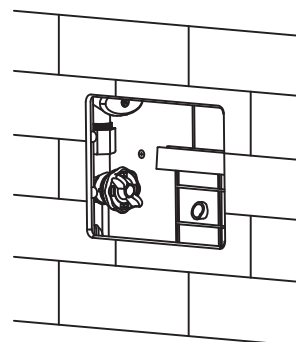


## A Wash Filtration Net

Close corner valve first, then loosen and take out the tighten nut, and wash the waste on filtration net with clean water. Then reset the tighten nut to the original position.

### A. 清洗过滤器

如图所示首先将角阀的开关关闭，将锁紧螺母旋松取出用清水洗净滤网泥沙。然后将锁紧螺母装回原位锁紧即可。

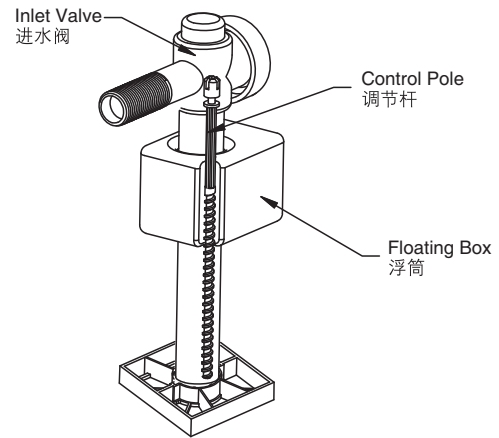


## B. Adjust Inlet Valve

Hoist and reduce the water level in the tank by adjusting the control pole. Turn the control pole counterclockwise to lower down the floating box and reduce the water level of the tank .turn the control pole clockwise to hoist the floating box and increase the water level in the tank.

### B. 进水阀的调校

如图调校调节杆可以使水箱水位升高或降低。当逆时针旋转调节杆时，浮筒下降，水箱水位就低。顺时针旋转调节杆使浮筒上升，水箱水位高。



## TROUBLE SHOOTING PROCEDURES 故障排除

Symptoms	Probable Causes	Recommended Action
No water fills in via inlet valve	The inlet valve is closed.	Open inlet valve.
	Floating box of inlet valve is blocked by other parts.	Readjust the position of other parts to avoid contacting the floating box when it is functioning.
	Floating box of inlet valve is block by waste.	Wash the floating box with clean water.
No drainage when pressing the heavy and slight drainage button	The air hose and faceplate are wrongly installed.	Reinstall the air hose.
	The pole and the reversed lock are not connected.	Reinstall the reversed lock onto the pole of the outlet valve.
Too high or too low water level	The floating box of the inlet valve is not properly adjusted.	Readjust the water level.
Leak of the toilet and squat	The floating box of the inlet valve is blocked by wastes, so the water is leaked from the overflow pipe.	Readjust the position of other parts to avoid contacting the floating box when it is functioning.
	The rubber gasket is blocked by wastes.	Take out the outlet valve and clean the wastes.
Toilet does not flush	A. No water supply. B. The water supply stop is closed.	A. Wait for restoration of water supply. B. Open the water supply stop.
Toilet does not flush completely	Filter screen is clogged.	Refer to wash filtration net.

现象	原因	排除方法
进水阀不进水	进水角阀没有打开。	把进水角阀打开。
	进水阀的浮筒被其它零件挡住。	调整其它零件切勿与浮筒工作时位置接触。
	进水阀的浮筒被杂物粘住。	用水清洗干净浮筒。
按下大、小排按钮时不排水	导气软管与面板安装错误。	重新安装导气软管。
	排水阀的杠杆扣与倒扣没接上。	重新安装倒扣在排水阀杠杆扣上。
水位太高或太低	进水阀的浮筒没有调整好。	重新调整水位。
座便器漏水	水箱进水时进水阀的浮筒有杂物挡住，止不住水。水从排水阀溢水管漏水。	调整其它零件切勿与浮筒工作时位置接触。
	封水片有杂物。	取出排水阀清洗封水片的杂物。
座便器不冲水	A. 停水。 B. 供水角阀关闭。	A. 等到恢复供水。 B. 打开供水角阀。
座便器冲不干净	过滤网阻塞。	查看“清洗过滤器”部分。