

BEFORE YOU BEGIN

- Please read these instructions carefully to familiarize yourself with the required tools, materials, and installation sequences. Follow the sections that pertain to your particular installation. This will help you avoid costly mistakes. In addition to proper installation, read all operating and safety instructions.
- All information is based on the latest product information available at the time of publication. Kohler China Ltd. reserves the right to make changes in product characteristics, packaging, or availability at any time without notice.
- These instructions contain important care, cleaning, and warranty information-**please leave these instructions for the consumer.**

安装之前

- 请仔细阅读此说明书以熟悉所需要的工具、材料及安装顺序。遵循适合您的特定安装要求的各项内容，避免昂贵的损失。除了要正确安装外，还应阅读操作及安全说明。
- 所有的资料是按最新出版的产品资料编写而成。科勒中国有限公司保留任何时候无须通知即可改变产品特性、包装或产品可供类型的权利。
- 说明书包括重要的安装、清洁及保养方面的内容，请把这些资料交给用户阅读。

PRODUCT REQUIREMENTS

A. Product Requirements

- Observe all local plumbing codes.
- Install the unit to a level subfloor.
- Provide properly-dimensioned framing.

产品要求

A. 关键要求的总结

- 请遵守当地的卫生管道施工规范。
- 在水平的底层地板上安装浴缸。
- 提供适当尺寸的结构。

B. Product Inspection

Uncrate and inspect bath for damage. Leave all materials in carton during construction to prevent damage.

B. 产品检查

打开包装箱并检查浴缸是否损坏。施工期间将所有的材料都留在箱内，以防止损坏。

C. Clearance Requirements

Check the rough-in and room dimensions to provide adequate available space for the bath unit.

C. 预留尺寸

检查安装尺寸及浴室尺寸，确保有充分的空间安装浴缸。

D. New or Replacement Installation Requirements

This bath can be installed in new or existing bathrooms. For replacement: Remove the old bath, and remove enough old wall material and floor covering from the area to allow for installation. Remove any old plumbing that does not conform to the rough-in requirements. For new installation: Position the plumbing according to the rough-in dimensions. Cap the suppliers, and check for leaks.

D. 安装新浴缸或旧浴缸要求

无论新的和旧的浴室本产品均适合安装。
更换旧浴缸：搬去旧浴缸，清除所有旧墙材料和地板贴面以便于安装。拆除任何不配新浴缸尺寸的旧管道。

安装新浴缸：按安装尺寸图铺设管道。堵塞供水管，并检查渗漏。

上海科勒有限公司
上海市浦东星火开发区民乐路368号 邮编：201419

ROUGHING-IN

安装尺寸

A. Ordering Information:

Hardware:		
Drain	17295T-CP	Optional

A. 订购信息:

配件:		
排水	17295T-CP	推荐使用

B. Product Information:

Fixture*:	Basin area	Top area	Weight
Bathing Well	1067x711mm ²	1397x1016mm ²	23.6Kg
	Water depth	Capacity	
To Overflow	394mm	276.3L	

* Approximate measurements for comparison only.

B. 产品资料:

浴缸*:	底部中间	顶边中间	重量
面积	1067x711mm ²	1397x1016mm ²	23.6Kg
	深度	容积	
到溢水口	394mm	276.3升	

*为比较浴缸所用的参考数值.

Installation Requirement

Please use the template supplied for installation.

安装要求

须和切割图纸完成台面切口安装

C. Installation Note:

Read the entire installation instructions included with fixture before beginning the installation.

If installing a rim-mount faucet, make sure there is no interference with drain overflow before drilling any holes. Consult local and national codes for minimum air gap requirements if installing a spout on the faucet deck.

C. 安装须知:

安装之前请仔细阅读说明书的所有步骤。

如果是在边缘安装水龙头，钻孔前要确保和溢水管互不干涉。在台面上安装水龙头时，还应查询当地和全国性的空气间隙规范。

D. Roughing-in Notes:

Fixture dimensions are nominal and conform to tolerances in ANSI Standard Z124.1.

No change in measurements if connected with drain illustrated.

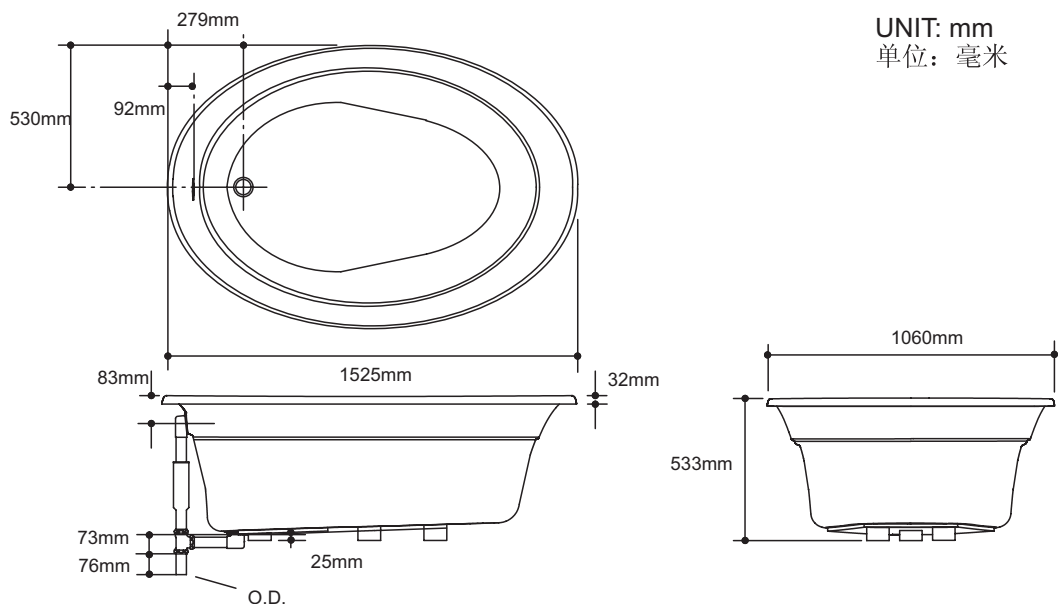
D. 安装尺寸说明:

浴缸的所有尺寸为公称尺寸，符合美国国家标准 Z124.1 的允许误差。

如果采用图示排水配件，数值将保持一致。

E. Roughing-in:

E. 尺寸图:



INSTALLATION REQUIREMENTS

安装要求

A. Tools Required B. Materials Required

- Adjustable pipe wrench
- Rule
- Level
- Safety shoes
- Safety glasses
- Square
- Pliers
- Utility knife
- Plumbers putty
- Wall coverings, as necessary
- Silicone sealant
- Gypsum cement (optional)
- Construction adhesive (optional)
- Protective covering for bathtub
- Nails

A. 所需工具

- 管道扳手
- 刻度尺
- 水平仪
- 安全鞋
- 安全眼镜
- 直角尺
- 钳子
- 多用工具刀

B. 所需材料

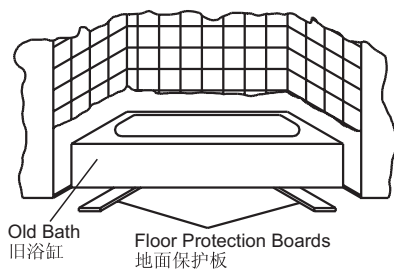
- 管道用油灰
- 墙面保护罩(如需要)
- 密封硅胶
- 石灰水泥(选用)
- 建筑粘胶(选用)
- 浴缸保护套
- 钉子

SITE REQUIREMENTS

安装场所要求

A. Old Bath Removal

Disconnect the drain at the trap. Remove the old wall material. **Slip boards under the old bath feet to protect the floor**, and slide the old bath out of the recess as illustrated.



A. 拆除旧浴缸

在存水弯处拆下排水管。清除所有旧墙材料。在旧浴缸下面塞入护板以保护地面，并按如图所示把旧浴缸从安装空间拉出。

B. Subfloor Preparation

Check the flooring under the bath, and make repairs as needed. Make sure the subfloor is level.

B. 底层地板的准备

检查浴缸下的地板，若需要请进行修补。请确保底层地板水平。

C. Bath Area Construction Preparation

Possible framing arrangements are illustrated below. Use the framing construction appropriate for your particular bath model. Some modifications may be needed for other types of construction, if preferred.

C. 浴缸支撑结构的准备

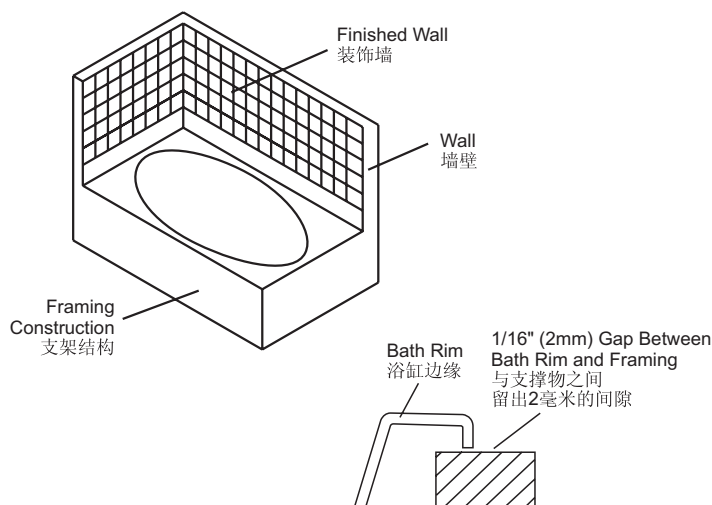
下图所示为几种常用的支撑结构，请采用适合您的浴缸型号的结构。对不同的支撑结构方式，也许有必要进行适度调整。

1). Corner Installation

The suggested framing construction is illustrated.

1). 墙角安装

右图为建议的支撑结构。

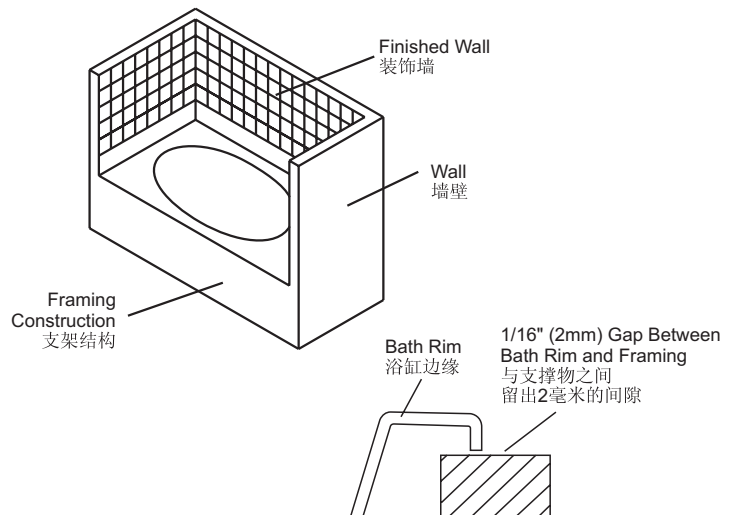


2). Recess Installation

The suggested framing construction is illustrated.

2). 三面靠墙安装

建议的三面墙环围的支撑结构如图所示。

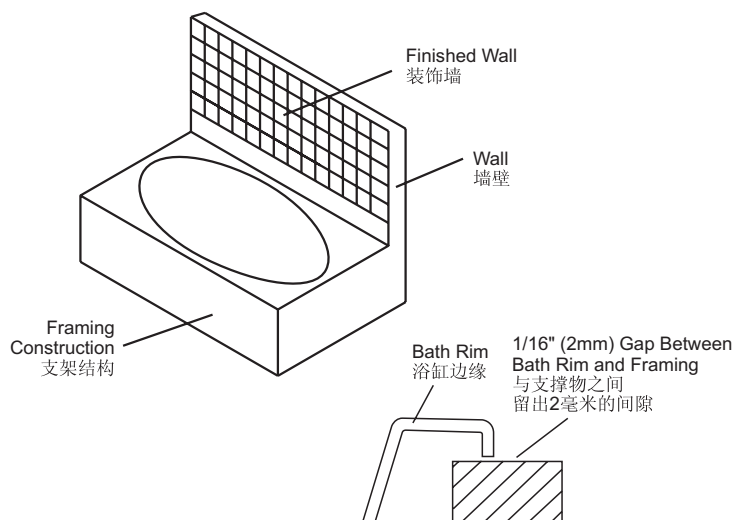


3). Peninsular Installation

The suggested framing construction is illustrated.

3). 单面靠墙安装

建议的单面墙支撑结构如图所示。



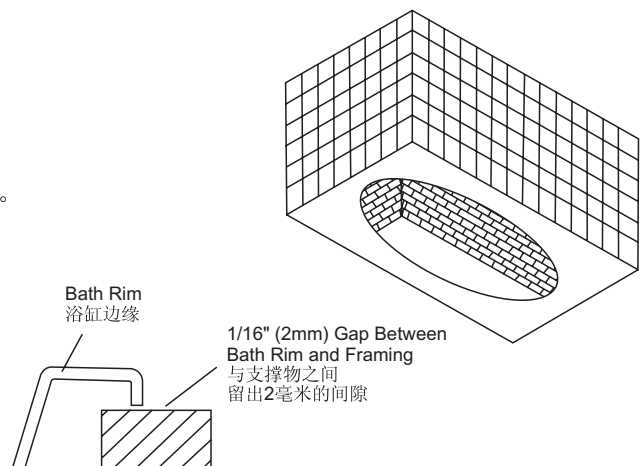
4). Sunken Installation

Refer to rough-in notes on page 1 for cut-out details.

Do not hang the bath by the rim.

4). 嵌入安装

有关切割图样的细节，请参阅第一页上的安装尺寸说明。
不要使浴缸靠边缘悬挂。



D. Plumbing Preparation

D. 管道的准备

Position the plumbing according to rough-in dimensions.
Cap the supplies and check for leaks.

将管道按安装尺寸安置，堵塞供水管并检查是否漏水。

- 7) Centralise Grating ④ with Waste Body ⑨ by lining up ribs of each directly in line and tighten Fixing Screw ③ with a coin or suitable screwdriver.
Do not overtighten - handtight plus 1/4 turn should be sufficient.
- 8) Adjust Plug ① by twisting Control Knob ⑩ to the 'up' position and then fix Plug height by use of Adjusting Screw ②.
- 9) Secure Flexible Pipe ⑬ by tightening Compression Nut ⑧ against Compression Seal ⑦.
- 10) Set drain pipe⑯, put on nut drain pipe⑰, and then tighten gasket⑱.
Check if the pop-up mechanism is operating correctly. If it doesn't the Plug height still needs adjusting or Control Cable might be twisted or jammed. Proceed with bath installation only after you've ensured the drain is operating correctly.

- 7) 将滤网④和去水本体⑨置中排列并排成一线后用硬币或电钻来固定螺栓③。
不要过分拧紧-----用手上紧后再拧紧至合适松紧。
- 8) 旋转控制钮⑩来调节塞子①到放水的位置，然后使用调节螺丝②固定塞子的高度。
- 9) 旋紧在压缩密封圈⑦后的压缩螺母⑧来调节和固定软管⑬。
- 10) 安装排水管⑯，套上排水管螺帽⑰，并垫上密封垫片⑱旋紧。
检查使用提拉式排水正常工作。
如果塞子不能够提拉到工作高度的话，需要调节控制线看它是否扭曲打结。在您检查并确认浴缸排水工作正常后才进行浴缸的下步安装。

B. Protect the Bath Unit

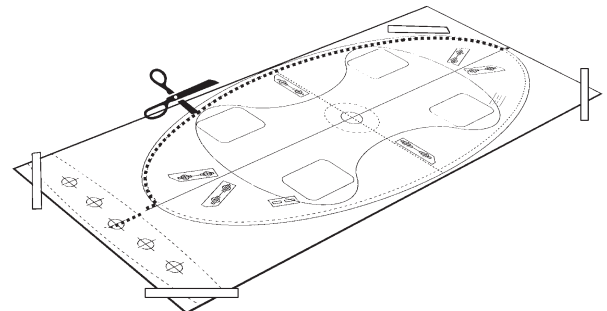
Position a protective covering or similar material in the bottom of the unit. Be careful not to scratch the bath surface.

B. 保护浴缸

在浴缸表面盖上保护套或类似的材料，小心不要划伤浴缸表面。

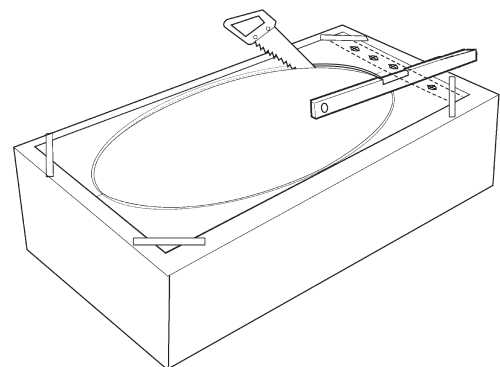
C. Cut out Bath mount

- 1). Using the template supplied, cut along dotted lines as shown.
This will give you the dimensions for the inset cut out when cutting the Bath mount.



C. 切割台面

- 1). 使用所附的切割图，如图所示沿虚线剪开。
在您切割台面时，这将提供您嵌入式安装所需的切割尺寸。
- 2). Ensuring your Bath mount top is level and the top edge is 501mm(±2) from floor level.
Tape the template to the Bath mount top.
Using template as a guide, trim out Bath mount material for the bath.
- 2). 确保安装台面水平并且离地面501mm(±2)高度。
将切割图固定在浴缸安装台面上。
如切割图大小，仔细切割出台面。



A. Bath Set-In

If the subfloor is not level, some shimming/leveling of the bath will be necessary.

NOTICE: Do not hang the bath by the rim.

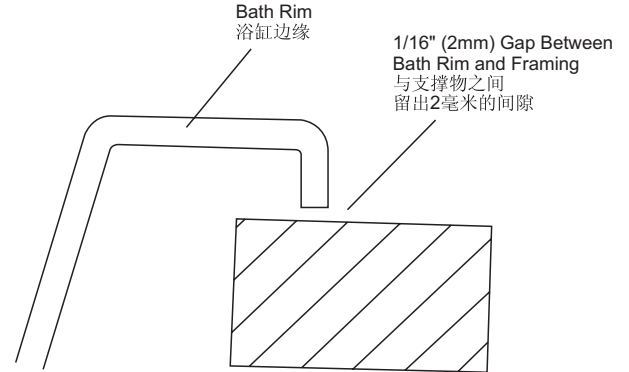
Apply a generous amount of fine construction mortar, or similar material, to the support feet and any shims used. Set the bath into the installation. Make sure the unit is level, and is resting on all support feet. Insert the drain tailpiece into the trap.

A. 放置浴缸

若底层地板没有水平，请用垫块将浴缸支平。

注意：不要靠边缘将浴缸悬挂。

在支角和垫片上涂足够量的泥灰浆或类似材料，将浴缸放入安装位置。确保浴缸水平放置，并且所有重量都均匀地承载在支脚上。将排水管尾端插入存水弯。



B. Install Plumbing

CAUTION: Risk of damage to bath bottom and subfloor. Ensure a watertight seal on the bath drain connections.

- 1). When the bath is securely positioned, connect the drain to the trap.

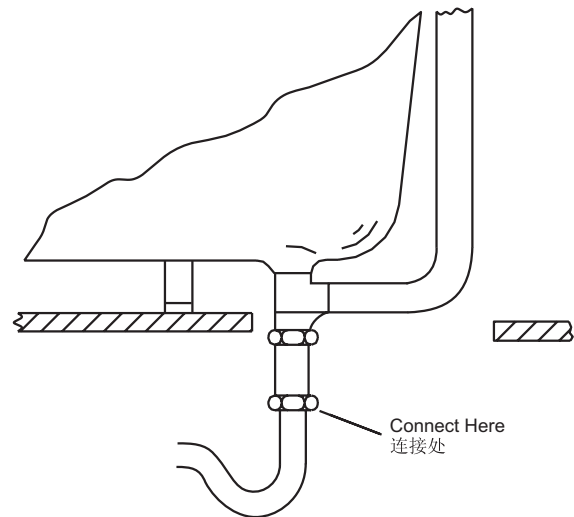
NOTE: An access panel will simplify future maintenance.

- 2). Install the faucet valving and spout tee. Open the hot and cold water valves, and check the supply connections for leaks.
- 3). Run water into the bath, and check the drain connections for leaks.

B. 安装卫生管道

注意：避免损坏浴缸底部和底层地板。浴缸的所有排水接口都要确保做防渗密封。


- 1). 当浴缸固定到位后，将排水管与存水弯相接。
注意：为方便以后维修，一定要安装一个检修门。
- 2). 安装水龙头阀门及喷头三通。打开冷水及热水阀门，检查所有给水管接头是否有渗漏。
- 3). 让水流入浴缸，检查排水配件接头是否有渗漏。




COMPLETE FINISH WALL

完成墙壁装修

Drop-In Models:

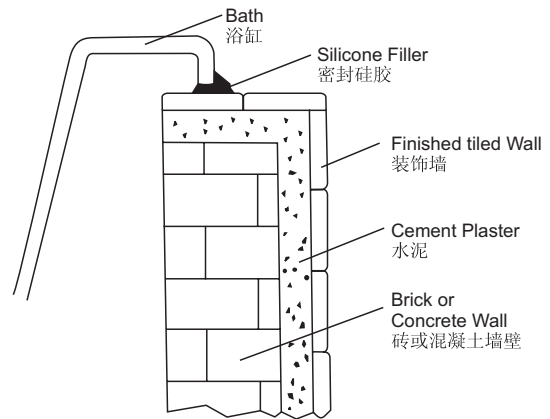
 **CAUTION: Risk of product damage.** Do not support the weight of the bath by the rim.

无裙边浴缸类型

 注意：当心损坏浴缸。不要靠浴缸边缘支撑浴缸的重量。

For sunken type installation, construct the ceramic or marble tiles. Seal the joints between the bath rim and the tiled wall with silicone sealant.

对嵌入式安装，在敷上瓷砖或大理石贴面后，再用硅胶密封浴缸边缘和贴面的连接处。



DRILLING AND CUTTING ACRYLIC

在亚克力表面上钻孔和切割

DRILLING: Small holes can be drilled with a twist drill, but the cutting edge **MUST** be backed off with an oil stone (the sharp edge dulled). Large holes must be drilled with a hole saw. Maximum drill size-12mm. Drill speeds-6mm x 1800 RPM-12 mm x 900 RPM.

NOTE: Always drill from acrylic surface.

CUTTING: If for any reason the acrylic requires cutting, use a fine tooth hacksaw and proceed with caution. Edges can be smoothed with a second-cut file and medium-fine sandpaper. If the surface of the acrylic should happen to be damaged, it can be restored by polishing with an abrasive cleaner. Deep scratches can be removed by rubbing with 600 grade wet & dry sandpaper then polishing.

钻孔：可用一麻花钻头钻小孔，但切削刃必须用一块油石磨钝。大孔须用孔钻加工。麻花钻头的最大尺寸为12mm，速度为6mmx1800转/分至12mmx900转/分。

注意：钻孔要从亚克力表面钻向浴缸背面。

切割：如果因故需要切割亚克力，请用优质齿型钢锯仔细切割。边缘可用一旧锉刀及中等砂纸磨平。如果亚克力表面受损，可用磨蚀性清洁剂抛光，将其恢复。深度刮伤可用600号水砂纸磨平，然后抛光。

CLEAN-UP AFTER INSTALLATION

完工清理

When cleaning up after installation, do not use abrasive cleansers as they may scratch and dull the surface. Use warm water and liquid, non-abrasive detergent to clean the surface.

Stubborn stains, paint, or tar can be removed with mineral spirits. Do not use cleaners containing solvent. Plaster can be removed by scraping with wood edge. Do not use metal scrapers, wire brushes, or other metal tools. One of the powder type detergents may be used on a damp cloth to provide mild abrasive action to the residual plaster.

在安装完成后进行清理时，请勿使用磨损性的清洁用具，以免擦伤浴缸表面，使其失去光泽。使用温水和非腐蚀性的液体清洁剂，清洗浴缸表面。

难以清除的污迹、油漆、或柏油，可用酒精擦净。请不要让含有溶剂的清洁剂。滞留水泥可用薄木刀刮掉。请不要使用金属刮刀，钢丝刷，或其它金属工具。对残留的水泥浆，可用湿布粘些洗衣粉，以提供轻微的研磨作用。

IMPORTANT CONSUMER INFORMATION

A. Consumer Responsibilities

Cleaning Acrylic Surfaces: Do not use abrasive cleansers on any acrylic surfaces, as they will scratch and dull the surface. Wipe out the bath after each use to prevent a build-up of soap and scum.

If the acrylic surface becomes dull, an automotive type rubbing compound *may be used on the unit, followed by an application of paste wax.

*We recommended:
Rubbing compound mequiars mirror glaze 28 metal polish (import product) or "green oil".

LIMITED ONE-YEAR WARRANTY

Plumbing Fixtures and Fittings Limited One-year Warranty

Kohler plumbing fixtures and fittings are warranted to be free of manufacturing defects.

This product is warranted for one year from date of purchase. Kohler China will be responsible for any problems caused by manufacturing defects provided with the invoice. Kohler China will, at its election, repair, replace or make appropriate adjustment where Kohler China inspection discloses any such defects occurring in normal usage within one year after purchase.

Implied warranties including that of merchantability and fitness for a particular purpose are expressly limited in duration to the duration of this warranty, Kohler China disclaims any liability for special, incidental or consequential damages. Damages to the product caused by misuse, abuse and installation that is not in accordance with the owner's manual are not covered by this warranty.

To obtain quick warranty service, please contact your dealer, or write to Kohler China. (Original sales receipt must be provided as the proof of purchase.)

Kohler China Investment Company Ltd.
Central Customer Service Center
19/F, Shanghai Square, 138 Huai Hai Road, Luwan District, Shanghai, PRC
Zip Code: 200021

This is our exclusive written warranty.

重要的用户资料

A. 用户的责任

清洗亚克力表面：请勿在亚克力表面使用磨损性的清洁用具，以免擦伤浴缸表面，使其失去光泽。每次使用后，将浴缸擦干，以防止肥皂和污垢沉积。

若亚克力表面失去光泽，先用汽车抛光剂*，然后再用粗腊打亮。

*我们推荐使用以下2种抛光剂：
① Mequiars 镜面光亮28金属上光剂。(进口)
② 抛光膏(绿油)。

一年有限担保

陶瓷及浴缸产品及配件担保——一年有限担保

科勒公司担保其陶瓷及浴缸产品及配件在制造工艺上无瑕疵。

本产品自购买之日起即获得本公司一年的质量保证。在质保期内，凭购货发票，科勒公司将免费承担由制造质量问题引起的任何问题。经核查后，科勒中国有限公司有权决定是修理、更换、还是作适当的调整。

这里所指的担保，包括产品，都已明确地限制在该担保期之内。科勒中国有限公司对其后出现的损坏不负有任何责任。担保也不包括外观损伤、使用不当以及未按说明书安装的损失。

为获得快捷的担保服务，请联系您的销售商；您也可写信给科勒中国有限公司(请出示销售发票原件作为购货凭证)：

科勒(中国)投资有限公司
中央客户服务中心
上海市卢湾区淮海中路138号
上海广场19楼
邮编：200021

这是我们全部的书面担保。