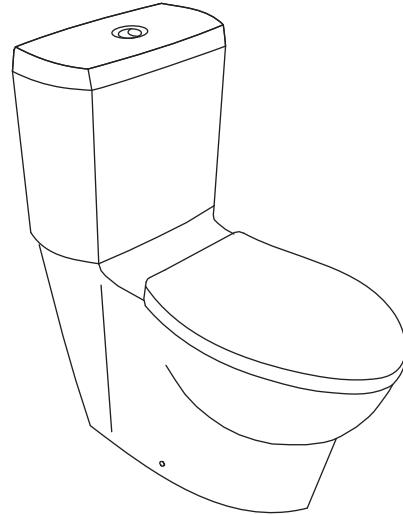


Features

- Vitreous china
- Elongated bowl
- Includes quiet close seat
- Includes polished push button
- Wash down flushing system
- Dual flush 2.6/4 liter per flush
- 305 mm rough-in for S-trap or 185 mm rough-in for P-trap
- 85 mm glazed trapway
- 100 x 85 mm water area
- 740 x 390 x 777 mm

TWO-PIECE TOILET K-45759VN



Codes/Standards Applicable

Specified model meets or exceeds the following:

- ASME A112.19.2
- TIS 792-2544

Colors/Finishes

- 0: White

Accessories:

- 0: White
- CP: Polished Chrome

Specified Model

Model	Description	Color/Finished
K-45759VN-S	Ove two-piece toilet, S-trap, 2.6/4 L with quiet close seat	0: White

Product Specification:

The Elongated two-piece toilet shall be made of vitreous china. Toilet shall be 740 mm in length, 390 mm in width, and 777 mm in height with a 100 x 85 mm water area. Toilet shall be 305 mm rough-in for S-trap or 185 mm rough-in for P-trap with a 85 mm glazed trapway. Toilet shall be dual flush 2.6/4 liter per flush with wash down flushing system. Toilet shall include polished chrome push button and quiet close seat. Toilet shall be Kohler Model K-45759VN-S-_____.

OVE

Technical Information

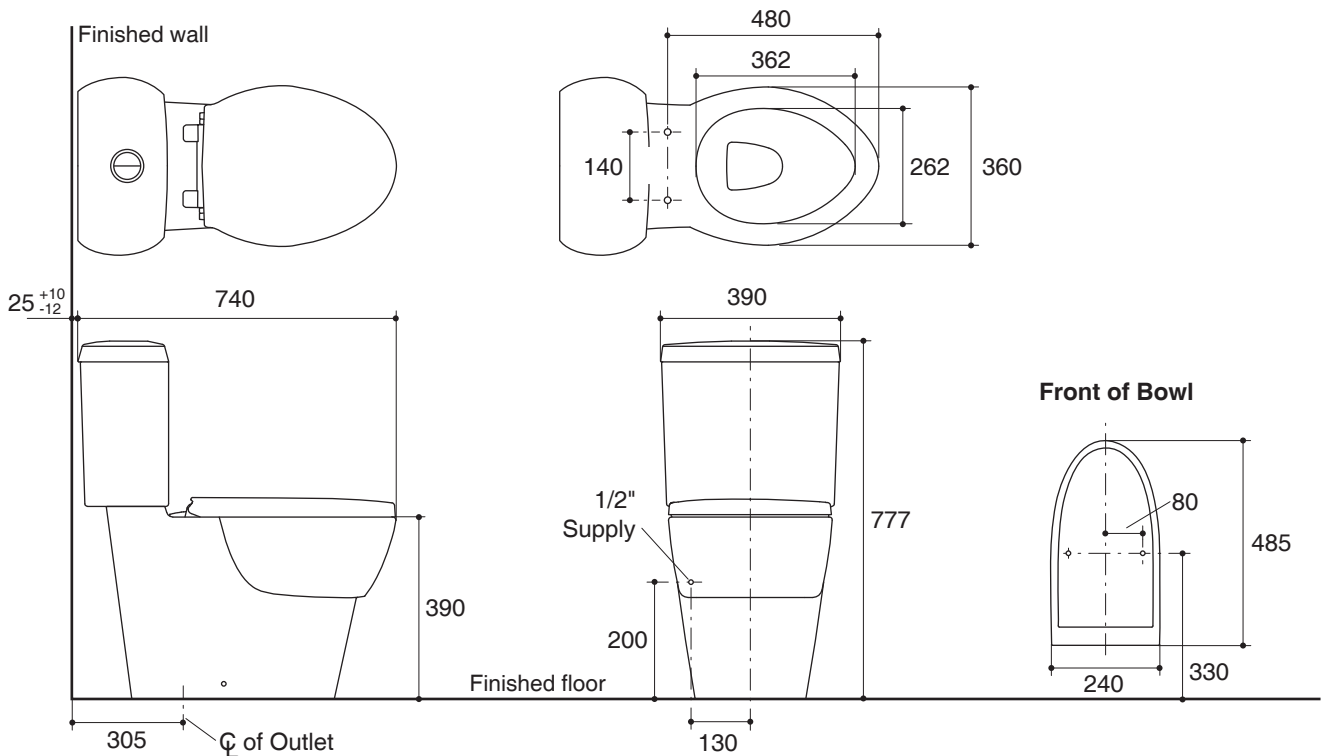
Fixture:	
Configuration	two-piece, elongated
Water per flush	2.6/4 Liter
Passageway	85 mm
Water area	100 x 85 mm
Water depth form rim	240 mm
Seat post hole centers	140 mm

Included Components:	
Bowl	K-17736VN-M
Tank	K-45678VN
Tank Cover	1196477
Quiet Close seat	K-17660-M

Installation Notes

Install this product according to the installation guide.

Dimensions are approximate.
Unit: mm



Product Diagram