

# Installation and Care Guide

## Whirlpool Bath Standard Installation

Save These Instructions  
Conserver ces instructions  
Guarde estas instrucciones

Retain serial number for reference.

Numéro de série du produit:

Número de serie del producto: \_\_\_\_\_

Français, page "Français-1"

Español, página "Español-1"

THE BOLD LOOK  
OF **KOHLER**®

# Installation Instructions



**WARNING:** When using electrical products, basic precautions should always be followed, including the following:



**DANGER: Risk of electric shock.** Connect only to a circuit protected by a Ground-Fault Circuit-Interrupter (GFCI)\*.

Building materials and wiring should be routed away from the pump body and other heat-producing components of the unit.

Install to permit access for servicing.

A pressure wire connector marked "Earth/Ground" is provided within the wiring compartment. To reduce the risk of electric shock, connect this connector to the grounding terminal of your electric service or supply panel with copper wire equivalent in size to the circuit conductor supplying this equipment.

Pressure wire connectors are provided on the exterior of the junction box or control within this unit to permit connection of a bonding conductor between this unit and all other exposed metal in the vicinity, as needed to comply with local requirements.

An equipment grounding terminal is provided in the field wiring compartment. To reduce the risk of electric shock, this terminal must be connected to the grounding means provided in the electric supply panel with a conductor equivalent in size to the circuit conductors supplying this equipment.

**Grounding is required.** The unit should be installed by a qualified service representative, and grounded.



**WARNING: Risk of injury or property damage.** Please read all instructions thoroughly before beginning installation, including the following requirements.



**WARNING: Risk of electric shock.** A qualified electrician should make all electrical connections.



**WARNING: Risk of electric shock.** Disconnect power before servicing.

**NOTICE: Follow all local plumbing and electrical codes.** In Canada, install this unit in accordance with the Canadian Electrical Code, Part 1.

\*Outside North America, this device may be known as a Residual Current Device (RCD).

## Product Information

### Electrical Requirements

The installation must have a Class A Ground-Fault Circuit-Interrupter (GFCI) or Residual Current Device (RCD). The GFCI or RCD protects against line-to-ground shock hazards. **Use a 220 - 240 V, 20 A, 50/60 Hz dedicated service for the whirlpool.**

### Product Notices



**WARNING: Unauthorized modification may cause unsafe operation and poor performance of the whirlpool.** Do not relocate the whirlpool pump, or make other modifications to the whirlpool system, as this could adversely affect the performance and safe operation of the whirlpool. Kohler Co. shall not be liable under its warranty or otherwise for personal injury or damage caused by any such unauthorized modification.

### Features

**"CT" Series:** Components include a pump, heater, control, effervescence ports, chromatherapy lights, and illuminated keypad with remote control.

**"AH" Series:** Components include a pump, heater, control, effervescence ports, chromatherapy lights,

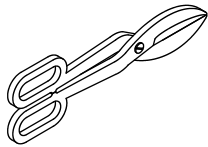
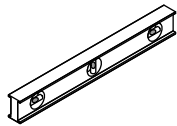
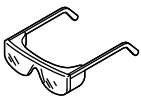
## Product Information (cont.)

whirlpool jets, and illuminated keypad with remote control.

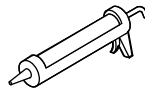
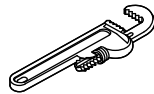
**"M" Series:** Components include a pump, heater, control, backjet system, neckjet system, whirlpool jets, and illuminated keypad with remote control.

**"V" Series:** Components include a pump, heater, control, backjet system, neckjet system, effervescence ports, chromatherapy lights, whirlpool jets, and illuminated keypad with remote control.

## Tools and Materials



Tin Snips



100% Silicone Sealant

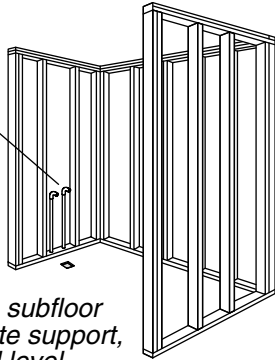
### Plus:

- Conventional Woodworking Tools and Materials
- Drop Cloth
- Construction Adhesive (Optional)
- Cement\* or Mortar (Optional)
- 2x4s

\* *Do not use gypsum cement.*

## Alcove

Position the rough plumbing.



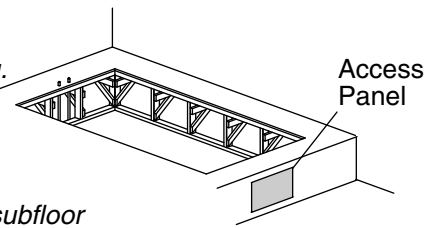
Construct 2x4 stud framing according to the product dimensions.

Verify that the subfloor offers adequate support, and is flat and level.

## Drop-In

Construct according to the product dimensions.

Position the rough plumbing.



Verify that the subfloor offers adequate support, and is flat and level.

## 1. Prepare the Site

**NOTICE:** Measure your product for site preparation. Note the **model number** located on the pump, then visit the product page at [www.kohler.com](http://www.kohler.com) for more information.

**NOTICE:** Provide generous, unrestricted access to the pump. You must provide access for servicing the pump and controls. The access must be located immediately next to the pump.

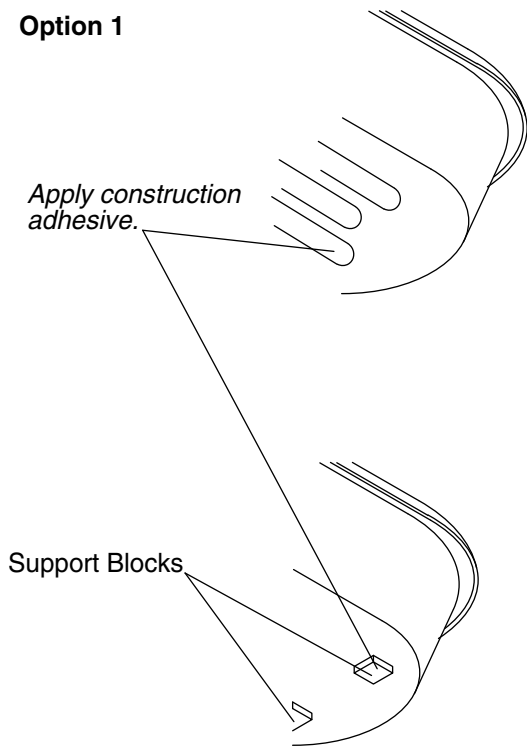
**NOTICE:** Do not lift the whirlpool by the piping or pump, or use the piping or pump for structural support of the whirlpool. To avoid damage to the whirlpool, lift at the sides of the whirlpool.

**NOTICE:** Do not support the load weight of the whirlpool by the rim.

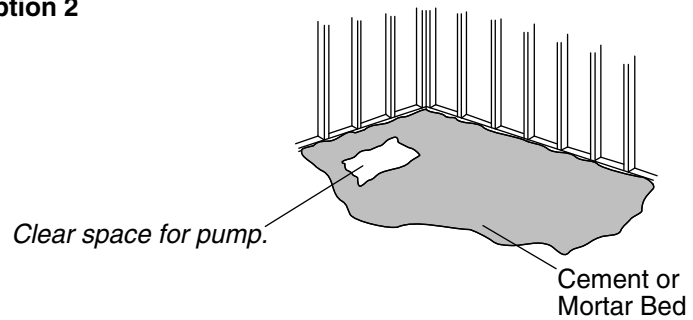
**NOTE:** Drop-in, alcove, or corner installation is possible, depending on the product chosen.

- Carefully unpack and inspect the new whirlpool for damage before installation. If there is damage do not install the whirlpool; contact your dealer.
- Make sure the flooring offers adequate support for your whirlpool, and verify that the subfloor is flat and level.
- Construct 2x4 stud framing.
- Install an access panel for future pump servicing. The access panel must be at least 20" (508 mm) wide by 15" (381 mm) high.
- Install the rough plumbing.
- Install the drain to the whirlpool according to the drain manufacturer's instructions.
- Protect the whirlpool surface by positioning a clean drop cloth in the basin bottom.

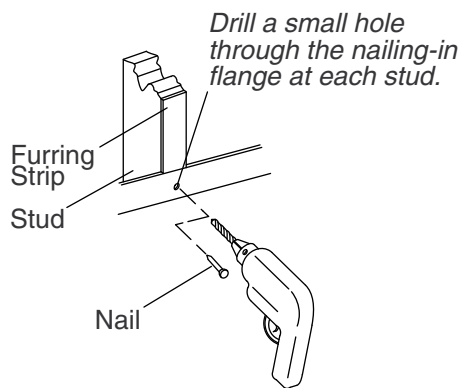
### Option 1



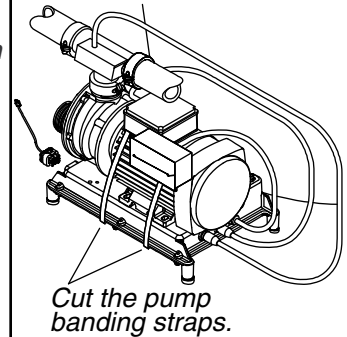
### Option 2



### Three Wall Alcove or Corner Installations



### Cut the Pump Banding Straps



## 2. Install the Whirlpool

**NOTICE:** Do not lift the whirlpool by the piping or pump, or use the piping or pump for structural support of the whirlpool. To avoid damage to the whirlpool, lift at the sides of the whirlpool.

**NOTICE:** Do not support the whirlpool by the rim.

- If the subfloor is not level, shim the whirlpool support blocks or molded supports as necessary.

### Option 1: Install Using Construction Adhesive

**NOTE:** Some models come with support blocks; some models have molded supports.

- Apply a generous amount of high-quality construction adhesive to the bottom of the support blocks or molded supports. With help, carefully lift the whirlpool into position.

### Option 2: Using a Cement or Mortar Bed

**NOTE:** Do not use gypsum cement or drywall compound for this application, as they will not provide an acceptable, durable bond.

- Set the basin area in 1" (25 mm) to 2" (51 mm) of mortar cement.

**NOTE:** The pump control (when the pump banding straps are cut) must rest directly on the subfloor. The pump control should not be in contact with mortar.

### Secure the Nailing-in Flanges (Alcove Units)

- Drill a small pilot hole through the nailing-in flange at each stud. Add shims as needed.
- Use large-head galvanized nails to secure the nailing-in flange to the studs.
- Nail 1/4" (6 mm) thick furring strips to the studs.

## **Install the Whirlpool (cont.)**

### **Cut the Pump Banding Straps**

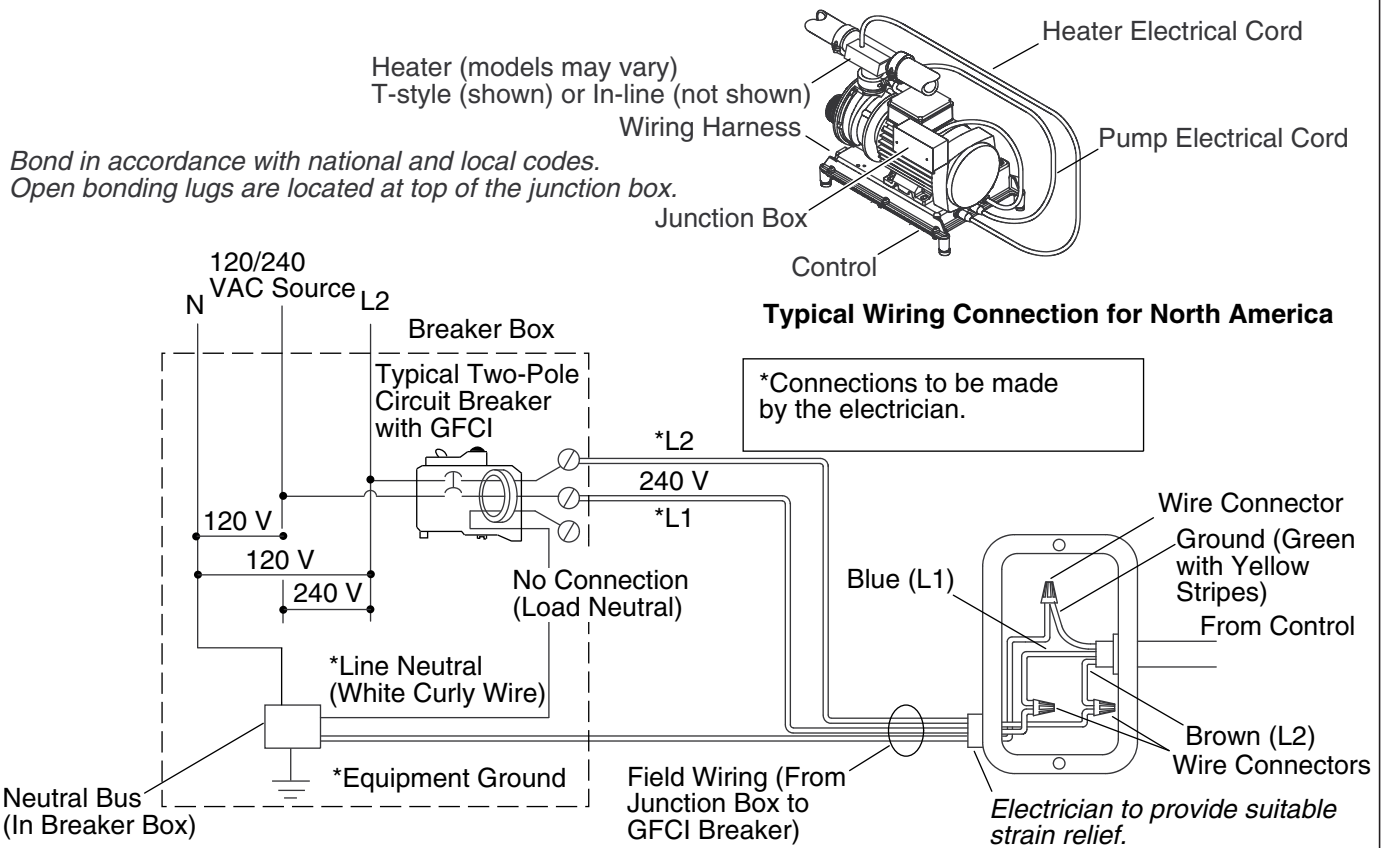
**IMPORTANT!** This step is necessary to make the whirlpool operate more quietly.

- Cut the two pump banding straps from the whirlpool pump with a tin snips.

**NOTE:** Do not raise the pump higher than it was before cutting the straps. If the pump is raised too high, it will not prime properly. Make sure the rubber isolation feet are in place.

### **Install the Plumbing**

- Insert the drain tailpiece into the trap. Secure the drain tailpiece to the trap.
- Install the faucet valve.
- Check the drain connections for leakage.
- If needed, install the grab bars according to the instructions.



### 3. Make Electrical Connections

**NOTE:** The product model number is printed on a label on the pump side of the whirlpool bath. This label also identifies the electrical rating of the product. **All whirlpools come equipped with a wiring junction box and are designed to operate between 220 V and 240 V at either 50 Hz or 60 Hz.**



**WARNING: Risk of electrical shock.** Make sure the power has been disconnected before performing the following procedures.

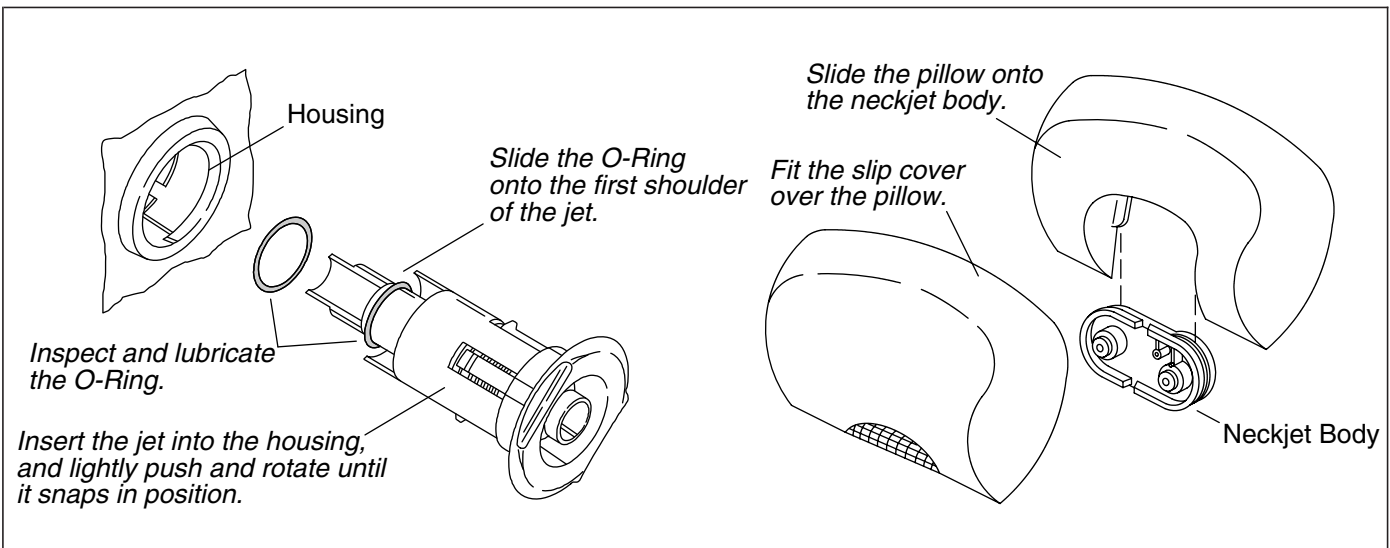


**WARNING: Risk of electrical shock.** Connect the pump to a properly grounded Ground-Fault Circuit-Interrupter (GFCI) or Residual Current Device (RCD). This will provide additional protection against line-to-ground shock hazard. A 220-240 V, 20 A, 50/60 Hz dedicated circuit is required.

**IMPORTANT!** The **load neutral** is not used. There should be no connection to the **load neutral** terminal on the Ground-Fault Circuit-Interrupter (GFCI) breaker. The green wire with the yellow stripe is the **equipment ground** and needs to be connected to the neutral bus in the main circuit breaker box.

**NOTE:** The wiring harness includes an antenna for the optional remote control. Do not alter or damage this antenna during installation.

- Connect service to the junction box. The junction box contains blue, brown, and green with a yellow stripe colored wires and a ground lug
- Follow local electrical codes. Bond in accordance with national and local codes.



## 4. Install the Whirlpool Trim Kit

### Install the Trim Kit

- Install the suction cover and jets according to the instructions packed with the trim kit.

### Install the Neckjet Trim (if included)

**NOTE:** The neckjets will not operate unless the pillow is installed. Always use a slip cover to prevent water from spraying from the whirlpool.

- Choose a slip cover, and fit it over the pillow.
- Carefully slide the pillow down onto the neckjet body grooves until it is secure.

### Test Run the Whirlpool

- Fill the whirlpool to a level at least 2" (51 mm) above the top of the highest jet.
- Operate the whirlpool for 5 minutes and check all whirlpool piping connections for leaks. Check for leakage along the front, sides, and back of the whirlpool.
- Turn on each of the whirlpool features and verify proper function. Check for water leakage along the front, sides, and back of the whirlpool.
- For additional information on whirlpool operation, see the "Operating Instructions" section.

### Complete the Installation

- Install water-resistant wallboard and all finished wall, deck, and floor materials.
- Apply silicone sealant to seal all areas where the whirlpool and finished wall or deck meet.
- Install the faucet trim.

### Clean-up After Installation

- When cleaning up after installation, **do not use abrasive cleansers**, as they may scratch and dull the whirlpool surface. If necessary, use warm water and a liquid detergent to clean the surface of the whirlpool, user keypad, and remote control.
- Remove stubborn stains or paint with turpentine or paint thinner. **Do not allow cleaners containing petroleum distillates to remain in contact with any whirlpool surface for long periods of time.** Remove plaster by carefully scraping with a wood edge. Do not use metal scrapers, wire brushes, or other metal tools. Use a powder-type detergent on a damp cloth to provide mild abrasive action to any residual plaster.



# Important Safety Instructions

## READ AND FOLLOW ALL INSTRUCTIONS

### SAVE THESE INSTRUCTIONS

#### INSTRUCTIONS PERTAINING TO A RISK OF FIRE, ELECTRIC SHOCK, OR INJURY TO PERSONS



**WARNING:** When using electrical products, basic precautions should always be followed, including the following:



**DANGER: Risk of accidental injury or drowning.** To reduce the risk of injury, do not permit children to use this unit unless they are closely supervised at all times.



**WARNING: Risk of personal injury.** To avoid injury, exercise care when entering or exiting the whirlpool.



**WARNING: Risk of electric shock.** Do not permit electric appliances (such as a hair dryer, lamp, telephone, radio, or television) within 5' (1.5 m) of this whirlpool.



**WARNING: The use of alcohol, drugs, or medication can greatly increase the risk of fatal hyperthermia.** Prolonged immersion in hot water may induce hyperthermia. Hyperthermia occurs when the internal temperature of the body reaches a level several degrees above the normal body temperature of 98.6°F (37°C). The symptoms of hyperthermia include an increase in the internal temperature of the body, dizziness, lethargy, drowsiness, and fainting. The effects of hyperthermia include: (a) failure to perceive heat, (b) failure to recognize the need to exit the whirlpool, (c) unawareness of impending hazard, (d) fetal damage in pregnant women, (e) physical inability to exit the whirlpool, and (f) unconsciousness resulting in the danger of drowning.



**WARNING: Risk of hyperthermia.** People using medications and/or having an adverse medical history should consult a physician before using a whirlpool equipped with a heater.



**WARNING: Risk of fetal injury.** Pregnant or possibly pregnant women should consult a physician before using the whirlpool.



**WARNING: Risk of hyperthermia or drowning.** Do not use the whirlpool immediately following strenuous exercise.



**WARNING: Risk of hyperthermia or drowning.** Water temperature in excess of 100°F (38°C) may cause injury. Test and adjust the water temperature before use.



**WARNING: Risk of personal injury or drowning.** Do not operate this unit without the guard (cover) over the suction fitting.



**WARNING: Risk of personal injury.** Never drop or insert any object into any opening.

Use this whirlpool only for its intended purpose as described in this guide. Do not use attachments not recommended by Kohler Co.

The whirlpool must be connected only to a supply circuit that is protected by a Ground-Fault Circuit-Interrupter (GFCI)\*. Such a GFCI should be provided by the installer and should be tested on a routine basis. To test the GFCI, press the test button. The GFCI should interrupt power. Press the reset button. Power should be restored. If the GFCI fails to operate in this manner, the GFCI is defective. If the GFCI interrupts power to the whirlpool without the test button being pressed, a ground current is flowing, indicating the possibility of an electric shock. Do not use this whirlpool. Disconnect the whirlpool and have the problem corrected by a qualified service representative before using.

Flush your whirlpool system twice a month or more depending upon usage, as described in the "Flush the System" section of this guide.

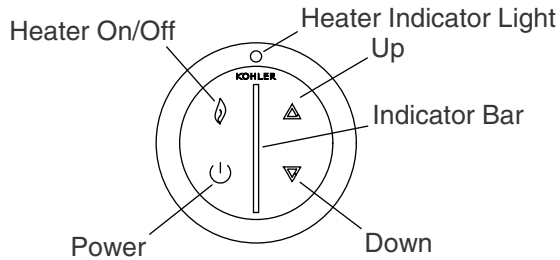
### **Important Safety Instructions (cont.)**

Repeated use of personal care products containing oils can damage plastic whirlpool components. Avoid using bath oils.

Whirlpool hydro-massage action can cause even a small amount of bubble bath, bath soap, shampoo, or bath oil to foam excessively. For this reason, please do not use these products during whirlpool operation.

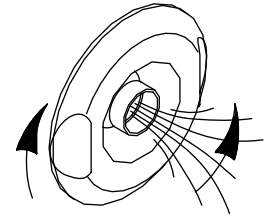
Your new KOHLER whirlpool has been listed by Underwriter's Laboratories, ensuring safety for you and your family. This whirlpool also conforms to rigid ANSI and IAPMO standards set within the plumbing industry.

\* Outside North America, this device may be known as a Residual Current Device (RCD).

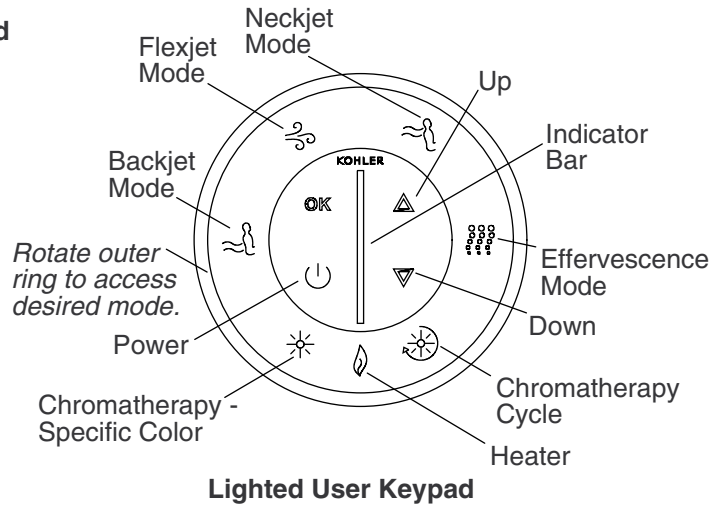


**Lighted User Keypad  
(for whirlpools  
without neckjets)**

*Turn jet trim  
clockwise to  
decrease the flow.*



*Turn jet trim  
counterclockwise  
to increase the flow.*



**Lighted User Keypad**

## Operating Instructions

### All Models

**NOTE:** A built-in heater helps to maintain the water temperature when the whirlpool is running. If the temperature exceeds 104°F (40°C), the heater will turn off.

- Position the jet nozzles so they face down toward the basin. Turn the jet trim rings fully counterclockwise.
- **Fill the whirlpool to a water level at least 2" (51 mm) above the top of the highest jet.**
- Press the Power icon to turn on the whirlpool. The whirlpool will start at medium flow, and the heater will turn on automatically.
- Adjust the water flow by pressing the up or down icon on the keypad. An indicator bar in the center of the keypad shows the water flow volume.
- Adjust each jet for optimum air/water mixture. Turn the jet trim clockwise to reduce the air flow, and counterclockwise to increase the air flow.
- Press the heater icon to turn the heater off and on. When illuminated, the indicator light shows that the water temperature will be maintained up to 104°F (40°C).
- Press the Power icon a second time to turn the whirlpool off.

**NOTE:** A built-in timer automatically stops the pump and motor after approximately 20 minutes of operation.

### Models with Neckjets

- Make sure the slip cover is in place on the pillow, and the pillow is attached to the neckjet body.

## Operating Instructions (cont.)

- With the whirlpool operating, rotate the outer ring until the neckjet icon is flashing. Press "OK" to activate the neckjets. The neckjet pulsing action will start at medium speed.
- Adjust the neckjet pulsing action by pressing either the up or down icon.
- To adjust the different modes while the neckjets are operating, rotate the outer ring until the desired mode is flashing and press "OK."
- Press "OK" while the neckjet mode is flashing to turn off the neckjets.
- Press the Power On/Off icon a second time to turn the whirlpool off.

### Neckjet and Backjet Operation (if equipped)

- Rotate the outer ring until the backjet mode is flashing and press "OK." The backjet pulsing action will start at medium speed. The backjets pulse from the bottom of the whirlpool toward the top, with water flow and pulse action occurring from two backjets at a time.

**NOTE:** If the water level falls below the water level sensors, the backjets will stop. The backjet icon and indicator bar on the user keypad will flash. The backjets will automatically restart when the water level covers the sensors.

- To adjust the backjet pulsing action use the up and down icons.
- To adjust the flow volume to the backjets, rotate the outer ring to the Flexjet mode, press "OK," and press the up or down icons. (This also adjusts the flow to all modes.)

**NOTE:** To activate or deactivate different modes while the neckjets and/or backjets are operating, rotate the outer ring until the desired mode is flashing and press "OK." (Example: To turn the heater off, rotate the ring until the heater icon is flashing and press "OK.")

- Press "OK" while the neckjet mode is flashing to turn off the neckjets.
- Press "OK" while the backjet mode is flashing to turn off the backjets.

### Effervescence Operation (if Equipped)

- With the whirlpool operating, rotate the outer ring until the effervescence icon is flashing. Press "OK" to activate the effervescence ports. The effervescence action will start at the flow volume last set in the Flexjet flow mode.
- Adjust the flow volume by pressing either the up or down icon.

**NOTE:** Flexjet mode, backjets and neckjets will automatically turn off when the effervescence mode is activated. Chromatherapy may be used with this and all modes of operation.

- Press "OK" while the effervescence mode is flashing to turn off the effervescence ports.

### Chromatherapy Operation (if Equipped)

**NOTE:** Chromatherapy may be used with all modes of operation as well as when the pump is not operating.

- **Chromatherapy Cycle:** Rotate the outer ring to select this mode and press "OK" to activate. Press "OK" again to turn off the lights.

**NOTE:** When this mode is activated, the chromatherapy lights will automatically and continuously cycle through the eight colors; white, violet, indigo blue, aqua blue, green, yellow, orange and red. One cycle through all eight colors takes approximately one minute.

- **Chromatherapy Specific Color Selection:** Rotate the outer ring to "Chromatherapy Specific Color" and press "OK" to activate. Press the up or down icons to change the desired color. Press "OK" while the chromatherapy mode is active to turn off the lights.

### Remote Control

## Operating Instructions (cont.)

**NOTE:** Refer to the Homeowners Guide included with your remote control for detailed operating instructions.

- The waterproof remote control is designed to be used in the bath and will float in the water.
- The remote control uses two AAA batteries.

## Care and Cleaning

For best results, keep the following in mind when caring for your KOHLER product:

- Always test your cleaning solution on an inconspicuous area before applying to the entire surface.
- Wipe surfaces clean and rinse completely with water immediately after applying cleaner. Rinse and dry any overspray that lands on nearby surfaces.
- Do not allow cleaners to soak on surfaces.
- Use a soft, dampened sponge or cloth. Never use an abrasive material such as a brush or scouring pad to clean surfaces.

For detailed cleaning information and products to consider, visit [www.kohler.com/clean](http://www.kohler.com/clean). To order Care & Cleaning information, call 1-800-456-4537.

## Flush the System

**NOTE:** Flush your whirlpool system twice a month or more, depending upon usage.

- Turn the jet trim rings fully clockwise to reduce air induction.
- Fill the whirlpool with hot water to a level at least 2" (51 mm) above the highest jet.
- Add 2 teaspoons (10 ml) of a low-foaming, powder automatic dishwasher detergent and 20 ounces (590 ml) of household bleach (5% - 6% sodium hypochlorite) to the water.
- Run the whirlpool for 5 to 10 minutes. Turn off the whirlpool and drain.
- If desired, rinse the bath surfaces with water.
- Rinse the surfaces of the jets, faucet, grab bars, and drain, and wipe them dry with a soft cloth.

## Troubleshooting

**NOTICE:** This section is for general aid only. A Kohler Co. Authorized Service Representative or qualified electrician should correct any electrical problems. For warranty service, call 1-800-4KOHLER from within the USA and Canada, or 001-800-456-4537 from within Mexico.

**NOTE:** The product model number is printed on a label on the pump side of the whirlpool bath.

**NOTE:** For service parts information, visit your product page at [www.kohler.com/serviceparts](http://www.kohler.com/serviceparts).

### Troubleshooting the Whirlpool System

Symptoms	Probable Causes	Recommended Action
1. User keypad does not illuminate when Power icon is pressed or (if applicable) the outer ring is rotated.	A. No power to control.  B. GFCI or RCD tripped. C. Wiring harness from user keypad to control is loose, disconnected or damaged. D. User keypad does not work. E. Control does not work.	A. Check wiring and connect power.  B. Reset GFCI or RCD. C. Check wiring for proper connections. Replace wiring harness if necessary. D. Replace user keypad. E. Replace control.

<b>Troubleshooting (cont.)</b>		
<b>Symptoms</b>	<b>Probable Causes</b>	<b>Recommended Action</b>
2. Motor starts, but all jets are not functioning.	<p>A. Jet is closed.</p> <p>B. Jet not installed correctly.</p> <p>C. Jets are blocked.</p>	<p>A. Rotate jet trim counterclockwise to open.</p> <p>B. Reinstall jet; check for O-ring damage.</p> <p>C. Remove blockage.</p>
3. User keypad is illuminated, but does not respond to icons or outer ring.	<p>A. Control program is locked.</p> <p>B. Wiring harness from user keypad to control is loose, disconnected or damaged.</p> <p>C. User keypad does not work.</p> <p>D. Control does not work.</p>	<p>A. Reset GFCI or RCD.</p> <p>B. Check wiring for proper connections. Replace wiring harness if necessary.</p> <p>C. Replace user keypad.</p> <p>D. Replace control.</p>
4. User keypad indicator bar keeps scanning at power-up.	<p>A. Control program is locked.</p> <p>B. Wiring harness from user keypad to control is loose, disconnected or damaged.</p> <p>C. User keypad does not work.</p> <p>D. Control does not work.</p>	<p>A. Reset GFCI or RCD.</p> <p>B. Check wiring for proper connections. Replace wiring harness if necessary.</p> <p>C. Replace user keypad.</p> <p>D. Replace control.</p>
5. User keypad is illuminated, but pump won't start.	<p>A. Power cord from pump to control is loose, disconnected or damaged.</p> <p>B. Pump does not work.</p> <p>C. Control does not work.</p>	<p>A. Check wiring for proper connections.</p> <p>B. Replace pump.</p> <p>C. Replace control.</p>
6. Motor runs but pump won't prime (cavitates).	<p>A. Pump is shimmed too high.</p> <p>B. Small air leak at pump inlet.</p> <p>C. Motor/pump does not work.</p> <p>D. Control does not work.</p>	<p>A. Lower pump/control to subfloor level.</p> <p>B. Securely tighten nut(s) on intake side of pump.</p> <p>C. Replace motor/pump.</p> <p>D. Replace control.</p>
7. Pump stops before 18 minutes.	<p>A. GFCI or RCD tripped.</p> <p>B. Suction is blocked.</p> <p>C. Jets are blocked.</p> <p>D. Motor overheated and protection device activated.</p>	<p>A. Identify source of fault, and correct. Reset GFCI or RCD.</p> <p>B. Remove obstruction.</p> <p>C. Remove blockage.</p> <p>D. Check for blockage at suction and/or jets. Remove blockage and allow motor to cool.</p>
8. Pump does not automatically stop after 22 minutes.	<p>A. 20-minute timer inadvertently disabled.</p>	<p>A. See Service Manual.</p>
9. Pump won't turn off when the Power icon on user keypad is pressed.	<p>A. User keypad does not work.</p> <p>B. Control does not work.</p>	<p>A. Replace user keypad.</p> <p>B. Replace control.</p>
10. Pump operates but variable speed feature does not work.	<p>A. Motor/pump does not work.</p> <p>B. Control does not work.</p>	<p>A. Replace motor/pump.</p> <p>B. Replace control.</p>
11. Bath water cools while pump is operating.	<p>A. Water temperature above 104°F (40°C).</p>	<p>A. Allow bath water to cool.</p>

<b>Troubleshooting (cont.)</b>		
<b>Symptoms</b>	<b>Probable Causes</b>	<b>Recommended Action</b>
	<ul style="list-style-type: none"> <li><b>B.</b> Heater has turned off either manually or automatically.</li> <li><b>C.</b> Wiring from heater to control is loose, disconnected or damaged.</li> <li><b>D.</b> Heater does not work.</li> <li><b>E.</b> Control does not work.</li> </ul>	<ul style="list-style-type: none"> <li><b>B.</b> Turn heater on.</li> <li><b>C.</b> Check wiring for proper connections.</li> <li><b>D.</b> Replace heater.</li> <li><b>E.</b> Replace control.</li> </ul>
12. Noisy operation.	<ul style="list-style-type: none"> <li><b>A.</b> Pump banding straps have not been cut.</li> <li><b>B.</b> Dry or dislodged jet O-ring (squeal).</li> </ul>	<ul style="list-style-type: none"> <li><b>A.</b> Cut pump banding straps with tin snips.</li> <li><b>B.</b> Remove jet, replace and lubricate O-ring, and reinstall jet.</li> </ul>
13. Remote control (if equipped) does not work.	<ul style="list-style-type: none"> <li><b>A.</b> Batteries improperly installed or dead.</li> <li><b>B.</b> Antenna on wiring harness is damaged.</li> <li><b>C.</b> Remote control not programmed correctly.</li> <li><b>D.</b> Remote control does not work.</li> <li><b>E.</b> Control does not work.</li> </ul>	<ul style="list-style-type: none"> <li><b>A.</b> Replace batteries.</li> <li><b>B.</b> Replace wiring harness.</li> <li><b>C.</b> See remote control Homeowners Guide or whirlpool Service Manual.</li> <li><b>D.</b> Replace remote control.</li> <li><b>E.</b> Replace control.</li> </ul>
<b>Troubleshooting the Neckjet System</b>		
<b>Symptoms</b>	<b>Probable Causes</b>	<b>Recommended Action</b>
14. Keypad does not respond when neckjet mode is selected.	<ul style="list-style-type: none"> <li><b>A.</b> User keypad does not work.</li> </ul>	<ul style="list-style-type: none"> <li><b>A.</b> Replace the user keypad.</li> </ul>
15. Pump operates but neckjets do not turn on. Indicator bar on user keypad is flashing.	<ul style="list-style-type: none"> <li><b>A.</b> Pillow is not installed.</li> <li><b>B.</b> Reed switch does not work.</li> <li><b>C.</b> Wiring harness from neckjet to control is loose, disconnected or damaged.</li> </ul>	<ul style="list-style-type: none"> <li><b>A.</b> Make sure pillow is properly attached to the neckjet body.</li> <li><b>B.</b> Check reed switch wiring and replace if necessary.</li> <li><b>C.</b> Check wiring for proper connections. Replace wiring harness if necessary.</li> </ul>
16. Pump operates but neckjets do not turn on. Indicator bar on user keypad is NOT flashing.	<ul style="list-style-type: none"> <li><b>A.</b> Neckjet line is blocked.</li> <li><b>B.</b> Wiring harness from neckjet to control is loose, disconnected or damaged.</li> <li><b>C.</b> Butterfly valve does not work.</li> <li><b>D.</b> Control does not work.</li> </ul>	<ul style="list-style-type: none"> <li><b>A.</b> Disconnect neckjet hoses and remove blockage.</li> <li><b>B.</b> Check wiring for proper connections. Replace wiring harness if necessary.</li> <li><b>C.</b> Replace the butterfly valve.</li> <li><b>D.</b> Replace control.</li> </ul>
17. Water flows from neckjets, but neckjets do not pulse.	<ul style="list-style-type: none"> <li><b>A.</b> Wiring harness from neckjet pulse cannister to control is loose, disconnected or damaged.</li> <li><b>B.</b> Pulse cannister does not work.</li> <li><b>C.</b> Control does not work.</li> </ul>	<ul style="list-style-type: none"> <li><b>A.</b> Check wiring for proper connections. Replace wiring harness if necessary.</li> <li><b>B.</b> Replace the butterfly valve.</li> <li><b>C.</b> Replace control.</li> </ul>
<b>Troubleshooting the Backjet System</b>		
<b>Symptoms</b>	<b>Probable Causes</b>	<b>Recommended Action</b>
18. Backjets do not operate.	<ul style="list-style-type: none"> <li><b>A.</b> Whirlpool pump is not operating.</li> </ul>	<ul style="list-style-type: none"> <li><b>A.</b> Turn on pump.</li> </ul>

Troubleshooting (cont.)		
Symptoms	Probable Causes	Recommended Action
	<p>B. Backjet butterfly valve does not open.</p> <p>C. Not enough water in whirlpool.</p> <p>D. User keypad does not work.</p> <p>E. Power from pump motor to control is off.</p> <p>F. Backjet pipe is blocked.</p> <p>G. Switch wire from switch to control is disconnected.</p>	<p>B. Check for loose connections or wires leading from backjet pulse cannister to control. Replace backjet pulse cannister or control if necessary.</p> <p>C. Fill whirlpool so water level sensors are covered.</p> <p>D. Replace user keypad.</p> <p>E. Check for loose connections or wires leading from pump motor to control.</p> <p>F. Remove blockage.</p> <p>G. Reconnect or replace switch wires that use modular plug.</p>
19. Backjets do not pulse.	A. Pulse cannister does not work.	A. Check for loose connections or wires leading from pulse cannister to control. Replace pulse cannister or control if necessary.

#### Troubleshooting the Effervescence Jets

Symptoms	Probable Causes	Recommended Action
20. Effervescence ports do not work.	<p>A. Whirlpool pump is not operating.</p> <p>B. Butterfly valve does not work.</p> <p>C. Pump does not work.</p> <p>D. Control does not work.</p>	<p>A. Turn on pump.</p> <p>B. Replace butterfly valve.</p> <p>C. Refer to the Service Manual to troubleshoot the system.</p> <p>D. Replace control.</p>
21. Effervescence ports do not bubble.	<p>A. Air intake on suction line is blocked.</p> <p>B. Water flow is too low.</p>	<p>A. Remove blockage.</p> <p>B. Increase water flow.</p>

#### Troubleshooting the Chromotherapy Lights

Symptoms	Probable Causes	Recommended Action
22. Chromotherapy lights do not work.	<p>A. Loose, disconnected or damaged wiring/connections.</p> <p>B. Control does not work.</p>	<p>A. Check wiring for proper connections. Replace wiring if necessary.</p> <p>B. Replace control.</p>

## Warranty

### ONE-YEAR LIMITED WARRANTY

KOHLER plumbing products are warranted to be free of defects in material and workmanship for one year from date of installation.

Kohler Co. will, at its election, repair, replace or make appropriate adjustment where Kohler Co. inspection discloses any such defects occurring in normal usage within one (1) year after installation. Kohler Co. is not responsible for removal or installation costs. **Use of in-tank toilet cleaners will void the warranty.**

To obtain warranty service contact Kohler Co. either through your Dealer, Plumbing Contractor, Home Center or E-tailer, or by writing Kohler Co., Attn.: Customer Care Center, 444 Highland Drive, Kohler, WI 53044, USA, or by calling 1-800-4-KOHLER (1-800-456-4537) from within the USA and Canada, and 001-800-456-4537 from within Mexico, or visit [www.kohler.com](http://www.kohler.com) within the USA, [www.ca.kohler.com](http://www.ca.kohler.com) from within Canada, or [www.mx.kohler.com](http://www.mx.kohler.com) in Mexico.



## Warranty (cont.)

**IMPLIED WARRANTIES INCLUDING THAT OF MERCHANTABILITY AND FITNESS FOR A PARTICULAR PURPOSE ARE EXPRESSLY LIMITED IN DURATION TO THE DURATION OF THIS WARRANTY. KOHLER CO. AND/OR SELLER DISCLAIM ANY LIABILITY FOR SPECIAL, INCIDENTAL OR CONSEQUENTIAL DAMAGES.** Some states/provinces do not allow limitations on how long an implied warranty lasts, or the exclusion or limitation of special, incidental or consequential damages, so these limitations and exclusions may not apply to you. This warranty gives you specific legal rights. You may also have other rights which vary from state/province to state/province.

**This is Kohler Co.'s exclusive written warranty.**

## Warranty

### For Mexico

KOHLER CO.

It is recommended that at the time of purchase, you verify that all accessories and components are complete in this package.

This Kohler product is warranted to be free of defects in material and workmanship for one (1) year from the date of purchase as shown on the invoice or receipt.

1. Kohler Co. will only service its commercialized products through its authorized distributors.
2. To obtain warranty service, please present the invoice and corresponding warranty.
3. Through its authorized distributors, Kohler Co. promises to repair the defective product or provide a new replacement or an equivalent model (in those cases that the model has been discontinued) when the product is beyond repair, without any charge to the consumer.
4. The time of repair will not exceed six (6) weeks commencing on the date the product is received.
5. It is recommended that the consumer save the invoice or receipt as additional protection, as it may substitute the warranty in the case that there is a discrepancy in the validity of the warranty.

### EXCEPTIONS AND RESTRICTIONS

The Warranty will not be valid in the following cases:

1. When the product is not operated in accordance with the instructions concerning use and operation set forth in the owner's manual or installation instructions, and when the recommendations and warnings included are not observed.
2. When the product has been modified or dismantled partially or totally; or has been used in a negligent fashion and as a consequence has suffered damages attributable to the consumer, individual, or hardware not authorized by Kohler Co.
3. This warranty does not cover the damages as a result of disaster such as fire or acts of God, including flooding, earthquake, or electric storms, etc. To obtain a list of distributors in your area where you can exercise your rights under this warranty, please call 001-800-456-4537.

KOHLER CO., KOHLER, WI 53044 U.S.A.

### IMPORTER:

INTERNACIONAL DE CERÁMICA, S.A.B. DE C.V.

AV. CARLOS PACHECO NO. 7200

CHIHUAHUA, CHIH., MEXICO C.P. 31060

TEL: 52 (14) 29-11-11

# Guide d'installation et d'entretien

## Baignoire à hydromassage

### Installation standard

## Instructions d'installation



**AVERTISSEMENT:** Lors de l'utilisation de produits électriques, toujours observer les précautions de base, notamment:



**DANGER: Risque de choc électrique.** Raccorder uniquement à un circuit protégé par un disjoncteur de fuite de terre (GFCI)\*.

Les matériaux de construction et le câblage doivent être acheminés loin du corps de la pompe et des autres composants de l'appareil qui dégagent de la chaleur.

Installer de façon à permettre l'accès pour l'entretien.

Un connecteur à pression pour câbles marqué "Earth/Ground" (Terre/Masse) est fourni dans le compartiment de câblage. Afin de réduire les risques de choc électrique, raccorder ce connecteur à une borne de terre du panneau de service électrique ou du panneau d'alimentation avec un câble en cuivre ayant la même dimension que le conducteur du circuit qui alimente cet équipement.

Des connecteurs à pression par câble sont fournis sur l'extérieur de la boîte de jonction ou de la commande incluse dans cet appareil afin de permettre la connexion d'un conducteur de mise à la terre entre cet appareil et toutes les autres surfaces de métal avoisinantes, tel que requis par les normes locales.

Une borne de mise à la terre est incluse dans le boîtier du câblage sur place. Pour réduire les risques de choc électrique, cette borne doit être raccordée à un dispositif de mise à la terre fourni dans le panneau d'alimentation électrique, avec un conducteur ayant le même calibre que celui des conducteurs du circuit qui alimente cet équipement.

**Une mise à la terre est requise.** L'appareil doit être installé par un représentant qualifié et doit être mis à la terre.



**AVERTISSEMENT: Risque de blessures ou d'endommagement du matériel.** Toutes les instructions doivent être lues avec la plus grande attention avant de commencer l'installation, et toutes les conditions suivantes doivent être respectées.



**AVERTISSEMENT: Risque de choc électrique.** Un électricien qualifié doit effectuer toutes les connexions électriques.



**AVERTISSEMENT: Risque de choc électrique.** Déconnecter l'alimentation électrique avant d'effectuer un entretien.

**AVIS: Respecter tous les codes de plomberie et électriques locaux.** Installer cet appareil conformément au Code canadien de l'électricité, Partie 1.

\* Hors de l'Amérique du Nord, ce dispositif peut être connu sous le nom de dispositif à courant résiduel (RCD).

## Information sur le produit

### Installations électriques requises

L'installation doit comprendre un disjoncteur de fuite de terre (GFCI) ou un dispositif à courant résiduel (RCD) de classe A. Le GFCI ou le RCD protège contre les dangers d'électrocution par une tension phase-terre. **Raccorder la baignoire à hydromassage à une alimentation dédiée de 220 - 240 V, 20 A, 50/60 Hz.**

## Information sur le produit (cont.)

### Notices du produit



**AVERTISSEMENT:** Des modifications non approuvées pourraient provoquer un fonctionnement dangereux et une mauvaise performance de la baignoire à hydromassage. Ne pas déplacer la pompe de la baignoire à hydromassage et ne pas effectuer d'autres modifications sur le système d'hydromassage car cela pourrait affecter la performance et la sécurité de la baignoire à hydromassage. Kohler Co. décline toute responsabilité sous sa garantie et pour toutes blessures ou tous dommages causés par de telles modifications non autorisées.

### Caractéristiques

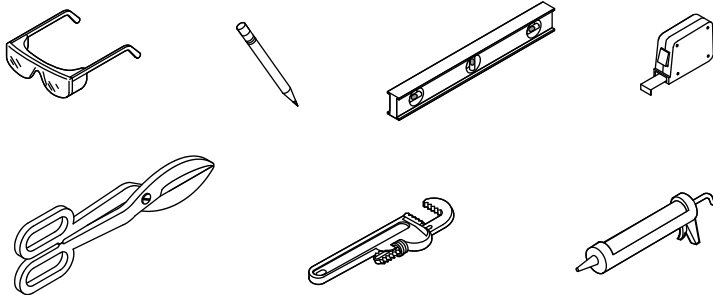
**Série "CT":** Les composants comprennent une pompe, un chauffe-eau, une commande, des ports d'effervescence, des lumières de chromothérapie et un clavier lumineux avec télécommande.

**Série "AH":** Les composants comprennent une pompe, un chauffe-eau, une commande, des ports d'effervescence, des lumières de chromothérapie, des jets d'hydromassage et un clavier utilisateur lumineux avec télécommande.

**Série "M":** Les composants comprennent une pompe, un chauffe-eau, une commande, un système de jets pour le dos, un système de jets pour le cou, des jets d'hydromassage et un clavier lumineux avec télécommande.

**Série "V":** Les composants comprennent une pompe, un chauffe-eau, une commande, un système de jets pour le dos, un système de jets pour le cou, des ports d'effervescence, des lumières de chromothérapie, des jets d'hydromassage et un clavier lumineux avec télécommande.

### Outils et matériel



Cisailles de ferblantier

Mastic à la silicone à 100%

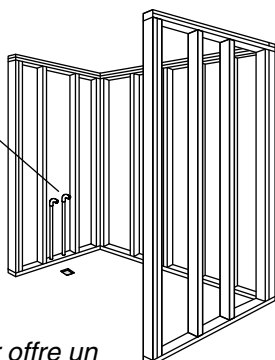
Plus:

- Matériaux et outils à bois classiques
- Toile de protection
- Colle mastic (optionnelle)
- Ciment\* ou mortier (optionnel)
- Des 2x4

\* Ne pas utiliser de plâtre dur.

## Alcôve

Positionner la plomberie de raccordement.



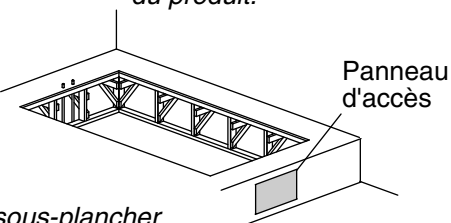
Construire la charpente à montants de 2x4 selon les dimensions du produit.

Vérifier que le sous-plancher offre un support adéquat et qu'il est plat et nivelé.

## À encastrer par le dessus

Effectuer la construction selon les dimensions du produit.

Positionner la plomberie de raccordement.



Vérifier que le sous-plancher offre un support adéquat et qu'il est plat et nivelé.

## 1. Préparer le site

**AVIS:** Mesurer le produit pour la préparation du site. Noter le **numéro de modèle** se trouvant sur la pompe, puis visiter la page des produits sur le site [www.kohler.com](http://www.kohler.com) pour obtenir de l'information supplémentaire.

**AVIS:** Fournir un large espace non restreint pour pouvoir accéder à la pompe. Un accès doit être prévu pour l'entretien de la pompe et des commandes. L'accès doit être situé juste à côté de la pompe.

**AVIS:** Ne pas soulever la baignoire à hydromassage par la tuyauterie ou la pompe et ne pas utiliser la tuyauterie ou la pompe comme support structurel de la baignoire à hydromassage. Afin d'éviter tout endommagement de la baignoire à hydromassage, soulever celle-ci par les côtés.

**AVIS:** Ne pas supporter le poids de charge de la baignoire à hydromassage par le rebord.

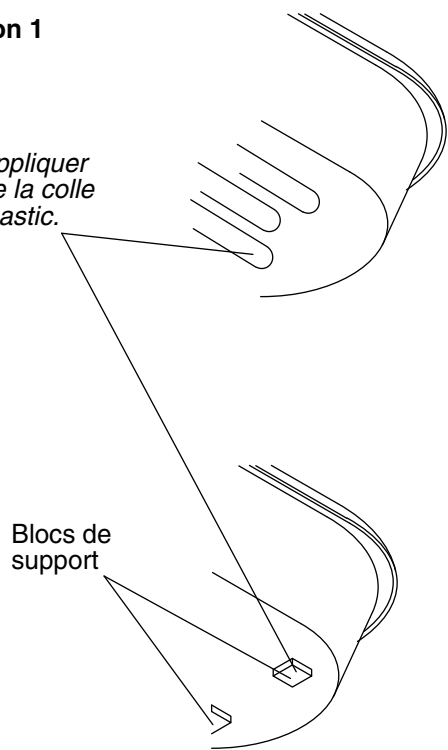
**REMARQUE:** Une installation à encastrer par le dessus, en alcôve ou en coin est possible, selon le produit choisi.

- Déballer et examiner soigneusement la nouvelle baignoire à hydromassage pour y déceler tout dommage avant d'effectuer l'installation. Si des dommages sont notés, ne pas installer la baignoire à hydromassage; contacter le concessionnaire.
- S'assurer que le sol offre un support adéquat pour la baignoire à hydromassage et vérifier que le plancher est plat et de niveau.
- Construire une charpente avec des montants de 2 x 4.
- Installer un panneau d'accès pour permettre un entretien futur de la pompe. Le panneau d'accès doit avoir une largeur de 20" (508 mm) et une hauteur de 15" (381 mm) au moins.
- Installer la tuyauterie de raccordement.
- Installer le drain sur la baignoire à hydromassage conformément aux instructions du fabricant du drain.
- Protéger la surface de la baignoire à hydromassage en plaçant une toile de protection propre dans le bas du bassin.

### Option 1

Appliquer de la colle mastic.

Blocs de support



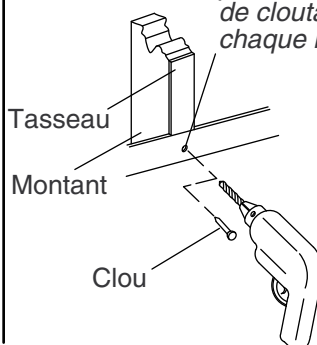
### Option 2

Créer un espace pour la pompe.

Lit de ciment ou de mortier

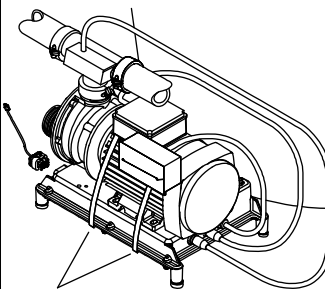
#### Installation en alcôve à trois murs ou en coin

Percer un petit trou pilote dans la bride de cloutage sur chaque montant.



#### Couper les sangles de retenue de la pompe

Couper les sangles de retenue de la pompe.



## 2. Installer la baignoire à hydromassage

**AVIS:** Ne pas soulever la baignoire à hydromassage par la tuyauterie ou la pompe et ne pas utiliser la tuyauterie ou la pompe comme support structural de la baignoire à hydromassage. Afin d'éviter tout endommagement de la baignoire à hydromassage, soulever celle-ci par les côtés.

**AVIS:** Ne pas supporter la baignoire à hydromassage par le rebord.

- Si le sous-plancher n'est pas de niveau, placer des blocs de renfort ou des supports moulés sous la baignoire à hydromassage, si nécessaire.

### Option 1: Effectuer l'installation en utilisant de la colle mastic

**REMARQUE:** Certains modèles sont dotés de blocs de support; d'autres modèles ont des supports moulés.

- Appliquer une quantité suffisante de colle mastic de haute qualité sur la base des blocs de support ou des supports moulés. Avec de l'aide, lever la baignoire à hydromassage avec précaution pour la mettre en place.

### Option 2: Utilisation de lit de ciment ou de mortier

**REMARQUE:** Ne pas utiliser de plâtre dur ou un mélange pour cloison sèche pour cette installation, car ces produits ne fournissent pas de scellement acceptable et durable.

- Placer la zone du bassin dans du ciment à maçonner de 1" (25 mm) à 2" (51 mm).

**REMARQUE:** La commande de la pompe (une fois les sangles de retenue de la pompe coupées) doit reposer directement sur le sous-plancher. La commande de la pompe ne doit pas entrer en contact avec le mortier.

## **Installer la baignoire à hydromassage (cont.)**

### **Fixer les brides de cloutage en place (dispositifs en alcôve)**

- Percer un petit trou-pilote à travers la bride de cloutage de chaque montant. Utiliser des cales selon les besoins.
- Utiliser des clous galvanisés à grande tête pour fixer la bride de cloutage sur les montants.
- Clouer des tasseaux de 1/4" (6 mm) d'épaisseur sur les montants.

### **Couper les sangles de retenue de la pompe**

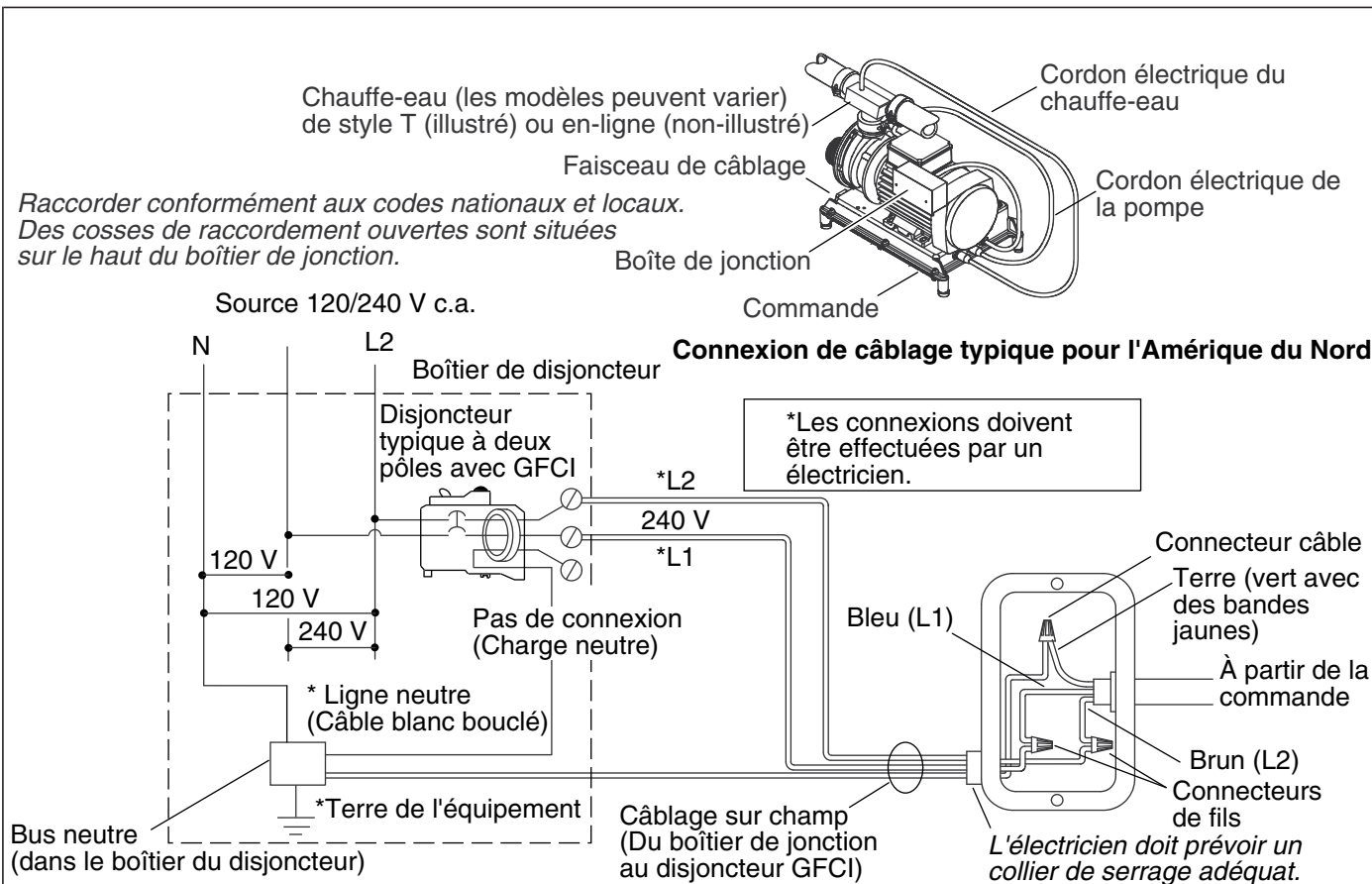
**IMPORTANT!** Cette étape est nécessaire pour que la baignoire à hydromassage fonctionne plus silencieusement.

- Couper les deux sangles de retenue de la pompe de la baignoire à hydromassage avec des cisailles fines.

**REMARQUE:** Ne pas soulever la pompe à un niveau supérieur à celui où elle se trouvait avant d'avoir coupé les sangles. Si la pompe est trop élevée, elle ne s'amorcera pas correctement. S'assurer que les pieds isolants en caoutchouc sont en place.

### **Installer la plomberie**

- Insérer la pièce de raccordement du drain dans le siphon. Fixer l'about du drain sur le siphon.
- Installer la vanne de robinet.
- Rechercher des fuites dans les connexions du drain.
- Si nécessaire, installer les barres d'appui selon les instructions.



### 3. Effectuer les connexions électriques

**REMARQUE:** Le numéro de modèle du produit est imprimé sur une étiquette placée du côté pompe de la baignoire à hydromassage. Cette étiquette identifie également les caractéristiques électriques du produit. **Toutes les baignoires à hydromassage sont équipées d'une boîte de jonction de câblage et sont conçues pour fonctionner entre 220 V et 240 V, à 50 HZ ou 60 HZ.**



**AVERTISSEMENT: Risque d'électrocution.** S'assurer que l'alimentation a été débranchée avant d'effectuer les procédures suivantes.

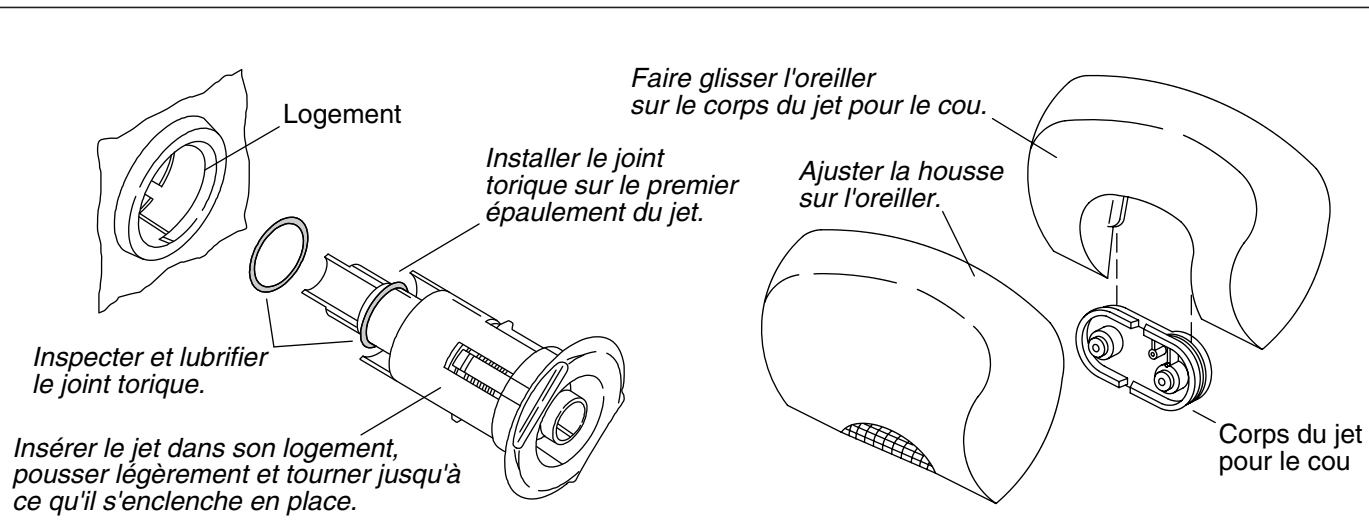


**AVERTISSEMENT: Risque d'électrocution.** Connecter la pompe à un disjoncteur de fuite de terre (GFCI) ou à un dispositif à courant résiduel (RCD) mis à la terre de manière adéquate. Ceci fournira une mesure de protection supplémentaire contre le risque d'électrocution par tension phase-terre. Un circuit dédié de 220-240 V, 20 A, 50/60Hz est nécessaire.

**IMPORTANT!** La **charge neutre** n'est pas utilisée. Il ne devrait pas y avoir de connexion à la borne de **charge neutre** sur le disjoncteur de fuite de terre (GFCI). Le fil vert avec la bande jaune est la **terre de l'équipement** et doit être connecté sur le bus neutre dans la boîte du disjoncteur principal.

**REMARQUE:** Le câblage électrique comprend une antenne pour la télécommande optionnelle. Ne pas modifier ni endommager cette antenne pendant l'installation.

- Effectuer le branchement sur la boîte de jonction. La boîte de jonction contient des fils de couleur bleue, brune et verte à rayure jaune, ainsi qu'une cosse de mise à la terre
- Suivre tous les codes électriques locaux. Raccorder conformément aux codes nationaux et locaux.



## 4. Installer le kit de garniture de la baignoire à hydromassage

### Installer le kit de garniture

- Installer le couvercle d'aspiration et les jets selon les instructions accompagnant le kit de garniture.

### Installer la garniture de jets pour le cou (si inclus).

**REMARQUE:** Les jets pour le cou ne fonctionnent pas si le coussin n'est pas installé. Toujours utiliser la housse pour éviter les éclaboussures d'eau de la baignoire à hydromassage.

- Choisir une housse et ajuster celle-ci sur le coussin.
- Faire glisser délicatement le coussin vers le bas sur les rainures du corps des jets pour le cou jusqu'à ce qu'il soit bien en place.

### Effectuer un essai de fonctionnement de la baignoire à hydromassage

- Remplir la baignoire à hydromassage à un niveau se trouvant à au moins 2" (51 mm) au-dessus du haut du jet le plus élevé.
- Faire fonctionner la baignoire à hydromassage pendant 5 minutes et s'assurer qu'aucun des raccords des tuyaux de la baignoire à hydromassage ne présente de fuites. Rechercher des fuites le long de l'avant et des côtés de la baignoire à hydromassage, et à l'arrière de celle-ci.
- Mettre en marche chaque option de la baignoire à hydromassage et en vérifier le bon fonctionnement. Rechercher des fuites d'eau le long de l'avant, des côtés et de l'arrière de la baignoire à hydromassage.
- Pour obtenir de l'information supplémentaire sur le fonctionnement de la baignoire à hydromassage, se reporter à la rubrique "Instructions d'utilisation".

### Terminer l'installation

- Installer le panneau mural hydrorésistant, ainsi que tous les matériaux du mur fini, de la plate-forme, et du plancher.
- Appliquer un mastic à la silicone pour sceller toutes les zones où la baignoire à hydromassage et le mur fini ou la plate-forme entrent en contact.
- Installer la garniture de robinet.

### Nettoyer après l'installation

- Lors du nettoyage après l'installation, **ne pas utiliser de nettoyeurs abrasifs**, vu que ceux-ci risqueraient de rayer et d'abîmer la surface de la baignoire à hydromassage. Si nécessaire, utiliser de l'eau chaude et un détergent liquide pour nettoyer la surface de la baignoire à hydromassage, le clavier utilisateur et la télécommande.



## Installer le kit de garniture de la baignoire à hydromassage (cont.)

- Enlever les taches résistantes ou la peinture avec de l'essence de térébenthine ou un diluant pour peinture. **Ne pas laisser de nettoyeurs à base de distillats de pétrole rester en contact avec les surfaces de la baignoire à hydromassage pendant une longue période.** Retirer les résidus de plâtre en raclant avec précaution avec un bord en bois. Ne pas utiliser de grattoirs en métal, de brosses métalliques ou d'autres outils en métal. Utiliser un détergent en poudre sur un chiffon humide pour fournir une action abrasive légère sur les résidus de plâtre.

# Instructions Importantes sur la sécurité

## LIRE ET SUIVRE TOUTES LES INSTRUCTIONS

## CONSERVER CES INSTRUCTIONS

### INSTRUCTIONS RELATIVES AUX RISQUES D'INCENDIE, D'ÉLECTROCUTION OU DE BLESSURES CORPORELLES



**AVERTISSEMENT:** Lors de l'utilisation de produits électriques, toujours observer les précautions de base, notamment:



**DANGER:** Risque de blessures ou de noyade accidentelles Afin de réduire les risques de blessures, ne jamais permettre à un enfant d'utiliser cet appareil sans surveillance.



**AVERTISSEMENT:** Risque de blessures. Pour éviter les blessures corporelles, entrer et sortir avec précaution de la baignoire à hydromassage.



**AVERTISSEMENT:** Risque de choc électrique. Ne pas amener les appareils électriques (tels que des sèche-cheveux, des lampes, des téléphones, des radios ou des télévisions) dans un rayon de 5' (1,5 m) de cette baignoire à hydromassage.



**AVERTISSEMENT:** La consommation d'alcool, de drogues ou de médicaments peut augmenter considérablement le risque fatal d'hyperthermie. Une immersion prolongée dans l'eau chaude peut provoquer une hyperthermie. Une hyperthermie a lieu lorsque la température corporelle interne atteint un niveau dépassant de plusieurs degrés la température corporelle normale de 98,6°F (37°C). Les symptômes d'hyperthermie comprennent une hausse de la température corporelle interne, les étourdissements, une léthargie, une somnolence et les évanouissements. Les effets de l'hyperthermie comprennent: (a) défaut de percevoir la chaleur, (b) défaut de s'apercevoir du besoin de sortir de la baignoire à hydromassage, (c) incapacité de reconnaître le danger, (d) dommages au fœtus dans le cas des femmes enceintes, (e) incapacité physique de sortir de la baignoire à hydromassage et (f) inconscience et danger conséquent de noyade.



**AVERTISSEMENT:** Risque d'hyperthermie. Les personnes sous médicaments et/ou qui sont en observation médicale doivent consulter leur médecin avant d'utiliser des baignoires à hydromassage équipées d'un chauffe-eau.



**AVERTISSEMENT:** Risque de préjudice corporel au fœtus. Les femmes enceintes ou qui pourraient être enceintes doivent consulter un médecin avant d'utiliser la baignoire à hydromassage.



**AVERTISSEMENT:** Risque d'hyperthermie ou de noyade. Ne pas utiliser la baignoire à hydromassage immédiatement après des exercices physiques rigoureux.



**AVERTISSEMENT:** Risque d'hyperthermie ou de noyade. Une température d'eau supérieure à 100°F (38°C) peut causer des traumatismes. Vérifier et régler la température de l'eau avant utilisation.

## Instructions Importantes sur la sécurité (cont.)



**AVERTISSEMENT: Risque de blessures ou de noyade.** Ne pas faire fonctionner cet appareil si le dispositif de protection (couvercle) n'est pas placé par-dessus le raccord d'aspiration.



**AVERTISSEMENT: Risque de blessures.** Ne jamais faire tomber ou insérer un objet quelconque dans les ouvertures.

Utiliser cette baignoire à hydromassage uniquement pour un usage tel que décrit dans ce guide. Ne pas utiliser de dispositifs d'attache non recommandés par Kohler Co.

La baignoire à hydromassage doit être raccordée uniquement à un circuit d'alimentation qui est protégé par un disjoncteur de fuite de terre (GFCI)\*. L'installateur doit fournir un disjoncteur de fuite de terre de ce type et celui-ci doit être inspecté régulièrement. Pour inspecter le disjoncteur de fuite de terre, appuyer sur le bouton d'essai. Le disjoncteur de fuite de terre doit couper le courant. Appuyer sur le bouton de réinitialisation. L'alimentation devrait avoir été restaurée. Si le disjoncteur de fuite de terre ne fonctionne pas de cette manière, le disjoncteur est défectueux. Si le disjoncteur de fuite de terre interrompt l'alimentation de courant vers la baignoire à hydromassage sans que l'on ait appuyé sur le bouton d'essai, ceci indique qu'un courant à la terre est en train de circuler, et, par conséquent, il y a possibilité de choc électrique. Ne pas utiliser cette baignoire à hydromassage. Débrancher la baignoire à hydromassage et la faire réviser par un technicien qualifié avant de l'utiliser.

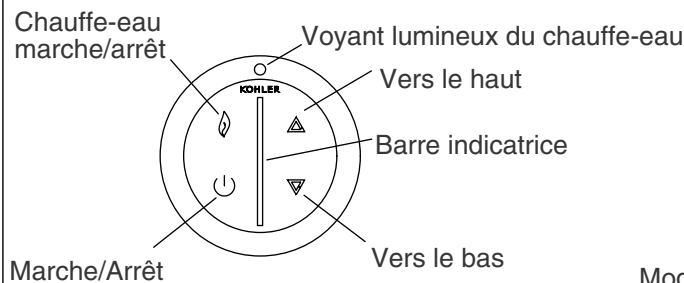
Purger le système de la baignoire à hydromassage deux fois par mois ou plus souvent selon la fréquence d'usage, tel que décrit dans la section "Purger le système" de ce guide.

L'utilisation répétée de produits d'hygiène et de beauté contenant des huiles peut endommager les composants en plastique de la baignoire à hydromassage. Éviter d'utiliser des huiles de bain.

L'action de massage de la baignoire à hydromassage peut considérablement faire mousser les produits de bain moussant, le savon, les shampoings, ou les huiles pour le bain, même de petite quantité. Pour cette raison, veiller à ne pas utiliser ces produits pendant le fonctionnement de la baignoire à hydromassage.

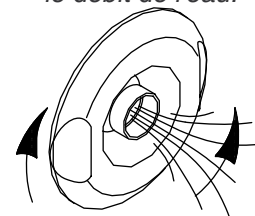
Votre nouvelle baignoire à hydromassage KOHLER a été homologuée par l'Underwriter's Laboratories, assurant ainsi votre sécurité et celle de votre famille. Cette baignoire à hydromassage est aussi conforme aux normes sévères de l'ANSI et de l'IAPMO établies pour l'industrie de la plomberie.

\* Hors de l'Amérique du Nord, ce dispositif peut être connu sous le nom de dispositif à courant résiduel (RCD).

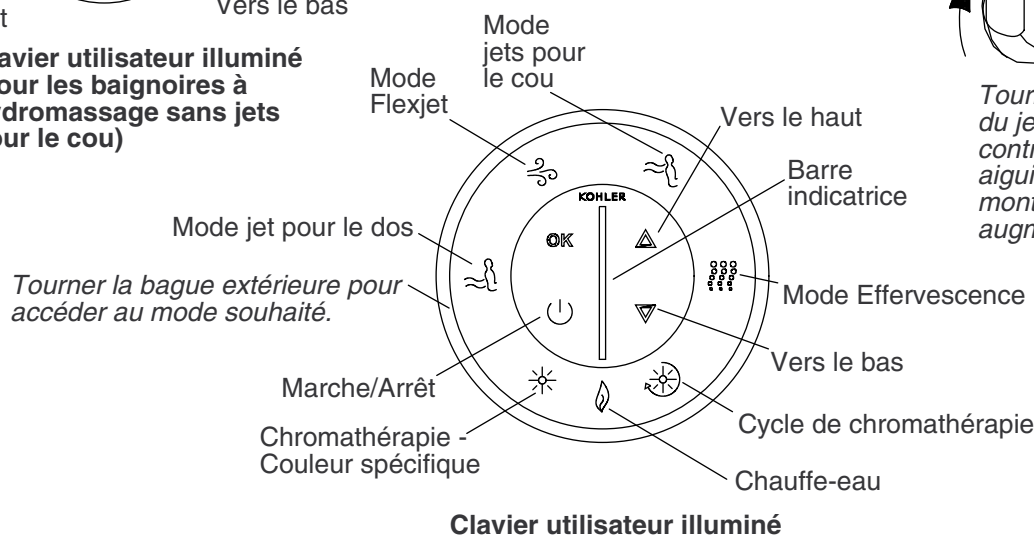


**Clavier utilisateur illuminé  
(pour les baignoires à  
hydromassage sans jets  
pour le cou)**

*Tourner la garniture  
du jet dans le sens  
des aiguilles d'une  
montre pour réduire  
le débit de l'eau.*



*Tourner la garniture  
du jet dans le sens  
contraire des  
aiguilles d'une  
montre pour  
augmenter le débit.*



**Clavier utilisateur illuminé**

## Instructions d'utilisation

### Tous les modèles

**REMARQUE:** Un chauffe-eau intégré aide à maintenir la température de l'eau pendant que la baignoire à hydromassage est en marche. Si la température dépasse 104°F (40°C), le chauffe-eau s'arrête.

- Orienter les buses des jets vers le fond du bassin. Tourner les anneaux de garniture des jets entièrement dans le sens contraire des aiguilles d'une montre.
- **Remplir la baignoire à hydromassage à un niveau d'eau se trouvant à au moins 2" (51 mm) au-dessus du haut du jet le plus élevé.**
- Appuyer sur l'icône Marche/Arrêt pour démarrer la baignoire à hydromassage. La baignoire à hydromassage commence à un débit moyen, et le chauffe-eau se met en marche automatiquement.
- Ajuster le débit de l'eau en appuyant sur l'icône vers le haut ou vers le bas du clavier. Une barre indicatrice située au centre du clavier indique le volume du débit d'eau.
- Ajuster chaque jet pour un mélange optimal d'eau et d'air. Tourner la garniture des jets dans le sens des aiguilles d'une montre pour réduire le débit d'air, et dans le sens contraire des aiguilles d'une montre pour augmenter le débit d'air.
- Appuyer sur l'icône du chauffe-eau pour démarrer et arrêter ce dernier. Lorsqu'il est allumé, ce voyant indique que la température de l'eau sera maintenue jusqu'à 104°F (40°C).
- Appuyer une deuxième fois sur l'icône Marche/Arrêt pour arrêter la baignoire à hydromassage.

**REMARQUE:** Un minuteur intégré arrête automatiquement la pompe et le moteur après environ 20 minutes de fonctionnement.

### Modèles avec jets pour le cou

## Instructions d'utilisation (cont.)

- S'assurer que la housse est bien placée sur le coussin et que celui-ci est attaché sur le corps des jets pour le cou.
- Avec la baignoire à hydromassage en marche, tourner la bague extérieure jusqu'à ce que l'icône de jets pour le cou clignote. Appuyer sur "OK" pour activer les jets pour le cou. L'action de pulsation des jets pour le cou commence à une vitesse moyenne.
- Régler l'action de pulsation des jets pour le cou en appuyant sur l'icône vers le haut ou vers le bas.
- Pour régler les différents modes pendant que les jets pour le cou fonctionnent, tourner la bague extérieure jusqu'à ce que le mode souhaité clignote, puis appuyer sur "OK."
- Appuyer sur "OK" pendant que le mode de jets pour le cou clignote pour arrêter les jets pour le cou.
- Appuyer une deuxième fois sur l'icône Marche/Arrêt pour arrêter la baignoire à hydromassage.

### Fonctionnement des jets pour le cou et pour le dos (si présents)

- Tourner la bague extérieure jusqu'à ce que le mode de jets pour le dos clignote, puis appuyer sur "OK". L'action de pulsation des jets pour le dos commencera à une vitesse moyenne. La pulsation des jets pour le dos a lieu du fond vers le haut de la baignoire à hydromassage, avec le débit d'eau et l'action de pulsation se produisant à partir de deux jets pour le dos à la fois.

**REMARQUE:** Si le niveau d'eau baisse en-dessous des capteurs, les jets pour le dos s'arrêteront. L'icône de jets pour le dos et la barre indicatrice du clavier clignoteront. Les jets pour le dos redémarrent automatiquement lorsque le niveau de l'eau recouvre les capteurs.

- Pour régler l'action de pulsation des jets pour le dos, utiliser les icônes vers le haut et vers le bas.
- Pour régler le volume du débit pour les jets pour le dos, tourner la bague extérieure sur le mode Flexjet, appuyer sur "OK", puis appuyer sur les icônes vers le haut ou vers le bas. (Ceci règle également le débit pour tous les modes.)

**REMARQUE:** Pour activer ou désactiver différents modes alors que les jets pour le cou et/ou le dos sont en train de fonctionner, tourner la bague extérieure jusqu'à ce que le mode souhaité clignote, puis appuyer sur "OK". (Exemple: Pour arrêter le chauffe-eau, tourner la bague jusqu'à ce que l'icône clignote, puis appuyer sur "OK".)

- Appuyer sur "OK" pendant que le mode de jets pour le cou clignote pour arrêter les jets pour le cou.
- Appuyer sur "OK" pendant que le mode de jets pour le dos clignote pour arrêter ces derniers.

### Fonctionnement de l'option d'effervescence (si présente)

- Avec la baignoire à hydromassage en marche, tourner la bague extérieure jusqu'à ce que l'icône de la fonction effervescence clignote. Appuyer sur "OK" pour activer les ports d'effervescence. L'action d'effervescence commence au même volume de débit que celui du dernier mode de débit Flexjet.
- Régler le volume du débit en appuyant sur l'icône vers le haut ou vers le bas.

**REMARQUE:** Le mode Flexjet, les jets pour le dos et les jets pour le cou s'arrêtent automatiquement quand le mode d'effervescence est activé. La chromothérapie peut être utilisée dans ce mode, ainsi que dans tous les modes d'opération.

- Appuyer sur "OK" pendant que le mode d'effervescence clignote pour arrêter les ports d'effervescence.

### Fonctionnement de la chromothérapie (si présente)

**REMARQUE:** La chromothérapie peut être utilisée avec tous les modes de fonctionnement, même lorsque la pompe n'est pas en marche.

## Instructions d'utilisation (cont.)

- **Cycle de chromothérapie:** Tourner la bague extérieure pour sélectionner ce mode et appuyer sur "OK" pour l'activer. Appuyer de nouveau sur "OK" pour éteindre les lampes.

**REMARQUE:** Quand ce mode est activé, les lampes de chromothérapie vont automatiquement et continuellement passer par le cycle de huit couleurs; blanc, violet, bleu indigo, aigue-marine, vert, jaune, orange et rouge. Un cycle des huit couleurs dure à peu près une minute.

- **Sélection de couleur spécifique de chromothérapie:** Tourner la bague extérieure sur "Couleur spécifique de chromothérapie" et appuyer sur "OK" pour l'activer. Utiliser les icônes vers le haut ou vers le bas pour obtenir la couleur souhaitée. Appuyer sur "OK" quand le mode de chromothérapie est activé pour éteindre les lampes.

## Télécommande

**REMARQUE:** Se référer au guide du propriétaire accompagnant la télécommande pour obtenir des instructions détaillées sur le fonctionnement.

- La télécommande étanche est conçue pour être utilisée dans le bain, et flottera sur l'eau.
- La télécommande utilise deux piles AAA.

## Entretien et nettoyage

Pour obtenir les meilleurs résultats possibles, prendre ce qui suit en considération lors de l'entretien de votre produit KOHLER:

- Toujours tester la solution de nettoyage sur une surface non visible avant de l'appliquer sur l'ensemble de la surface.
- Essuyer les surfaces et rincer complètement avec de l'eau immédiatement après l'application du nettoyant. Rincer et sécher tout éclaboussement sur les surfaces avoisinantes.
- Ne pas laisser les nettoyeurs tremper sur les surfaces.
- Utiliser une éponge ou un chiffon doux et humide. Ne jamais utiliser de matériau abrasif tel qu'une brosse ou une éponge à récurer pour nettoyer les surfaces.

Pour obtenir des informations détaillées sur le nettoyage et les produits à considérer, consulter le site [www.kohler.com/clean](http://www.kohler.com/clean). Pour commander des informations sur l'entretien & le nettoyage, appeler le 1-800-456-4537.

## Purger le système

**REMARQUE:** Purger le système d'hydromassage deux fois par mois ou plus, selon la fréquence d'utilisation.

- Tourner les bagues de garniture des jets complètement dans le sens des aiguilles d'une montre pour réduire l'induction d'air.
- Remplir la baignoire à hydromassage d'eau chaude à au moins 2" (51 mm) au-dessus du jet le plus élevé.
- Ajouter à l'eau 2 petites cuillères (10 ml) d'un détergent en poudre pour lave-vaisselle automatique peu moussant et 20 onces (590 ml) d'eau de javel domestique (5% à 6% d'hypochlorite de sodium).
- Faire fonctionner la baignoire à hydromassage pendant 5 à 10 minutes. Arrêter la baignoire à hydromassage et purger.
- Si souhaité, rincer les surfaces de la baignoire avec de l'eau.
- Rincer les surfaces des jets, le robinet, les barres d'appui et le drain, et les sécher avec un chiffon doux.

## Dépannage

**AVIS:** Cette section est seulement destinée à une aide générale. Un représentant du service agréé Kohler Co. ou un électricien qualifié doit rectifier tous les problèmes électriques. Pour un service de garantie, appeler le 1-800-4KOHLER à partir des É.-U. et du Canada, ou le 001-800-456-4537 à partir du Mexique.

**REMARQUE:** Le numéro de modèle du produit est imprimé sur une étiquette placée du côté pompe de la baignoire à hydromassage.

**REMARQUE:** Pour tout renseignement sur les pièces de rechange, visiter la page du produit sur le site [www.kohler.com/serviceparts](http://www.kohler.com/serviceparts).

### Dépannage du système de la baignoire à hydromassage

Symptômes	Causes probables	Action recommandée
1. Le clavier utilisateur ne s'allume pas lorsque l'on appuie sur l'icône Marche/Arrêt ou (si applicable) lorsque l'on tourne la bague extérieure.	<p>A. Commande non alimentée.</p> <p>B. Le disjoncteur GFCI ou le dispositif RCD se déclenche.</p> <p>C. Le faisceau de câblage entre le clavier utilisateur et la commande est desserré, débranché ou endommagé.</p> <p>D. Le clavier utilisateur ne fonctionne pas.</p> <p>E. La commande ne fonctionne pas.</p>	<p>A. Vérifier le câblage et raccorder l'alimentation électrique.</p> <p>B. Réinitialiser le disjoncteur GFCI ou le dispositif RCD.</p> <p>C. Vérifier les raccordements du câblage. Remplacer le faisceau de câblage si nécessaire.</p> <p>D. Remplacer le clavier utilisateur.</p> <p>E. Remplacer la commande.</p>
2. Le moteur démarre, mais certains jets ne fonctionnent pas.	<p>A. Jet fermé.</p> <p>B. Le jet n'est pas installé correctement.</p> <p>C. Jets obstrués.</p>	<p>A. Tourner la bague du jet dans le sens contraire des aiguilles d'une montre pour ouvrir.</p> <p>B. Réinstaller le jet; vérifier l'état du joint torique.</p> <p>C. Éliminer l'obstruction.</p>
3. Le clavier utilisateur est illuminé, mais il ne répond pas aux icônes ou à la bague extérieure.	<p>A. Le programme de commande est bloqué.</p> <p>B. Le faisceau de câblage entre le clavier utilisateur et la commande est desserré, débranché ou endommagé.</p> <p>C. Le clavier utilisateur ne fonctionne pas.</p> <p>D. La commande ne fonctionne pas.</p>	<p>A. Réinitialiser le disjoncteur GFCI ou le dispositif RCD.</p> <p>B. Vérifier les raccordements du câblage. Remplacer le faisceau de câblage si nécessaire.</p> <p>C. Remplacer le clavier utilisateur.</p> <p>D. Remplacer la commande.</p>
4. La barre indicatrice du clavier ne cesse de défiler au démarrage.	<p>A. Le programme de commande est bloqué.</p> <p>B. Le faisceau de câblage entre le clavier utilisateur et la commande est desserré, débranché ou endommagé.</p> <p>C. Le clavier utilisateur ne fonctionne pas.</p> <p>D. La commande ne fonctionne pas.</p>	<p>A. Réinitialiser le disjoncteur GFCI ou le dispositif RCD.</p> <p>B. Vérifier les raccordements du câblage. Remplacer le faisceau de câblage si nécessaire.</p> <p>C. Remplacer le clavier utilisateur.</p> <p>D. Remplacer la commande.</p>

<b>Dépannage (cont.)</b>		
<b>Symptômes</b>	<b>Causes probables</b>	<b>Action recommandée</b>
5. Le clavier est illuminé, mais la pompe ne démarre pas.	<p><b>A.</b> Le cordon d'alimentation entre la pompe et la commande est desserré, débranché ou endommagé.</p> <p><b>B.</b> La pompe ne fonctionne pas.</p> <p><b>C.</b> La commande ne fonctionne pas.</p>	<p><b>A.</b> Vérifier les connexions du câblage.</p> <p><b>B.</b> Remplacer la pompe.</p> <p><b>C.</b> Remplacer la commande.</p>
6. Le moteur fonctionne mais la pompe ne s'amorce pas (cavitation).	<p><b>A.</b> La pompe est placée trop haut.</p> <p><b>B.</b> Petite fuite d'air à l'entrée de la pompe.</p> <p><b>C.</b> Le moteur/la pompe ne fonctionne pas.</p> <p><b>D.</b> La commande ne fonctionne pas.</p>	<p><b>A.</b> Abaisser la pompe/commande au niveau du sous-plancher.</p> <p><b>B.</b> Bien serrer le(s) écrou(s) sur le côté admission de la pompe.</p> <p><b>C.</b> Remplacer le moteur/la pompe.</p> <p><b>D.</b> Remplacer la commande.</p>
7. La pompe s'arrête avant 18 minutes.	<p><b>A.</b> Le disjoncteur GFCI ou le dispositif RCD se déclenche.</p> <p><b>B.</b> L'aspiration est obstruée.</p> <p><b>C.</b> Jets obstrués.</p> <p><b>D.</b> Surchauffe du moteur et système de protection activé.</p>	<p><b>A.</b> Identifier l'origine du problème, puis y remédier. Réinitialiser le GFCI ou le RCD.</p> <p><b>B.</b> Éliminer l'obstruction.</p> <p><b>C.</b> Éliminer l'obstruction.</p> <p><b>D.</b> Voir s'il y a une obstruction au niveau de l'aspiration et/ou des jets. Éliminer l'obstruction et laisser le moteur refroidir.</p>
8. La pompe ne s'arrête pas automatiquement au bout de 22 minutes.	<p><b>A.</b> Minuterie de 20 minutes désactivée par inadvertance.</p>	<p><b>A.</b> Consulter le manuel d'entretien.</p>
9. La pompe ne s'arrête pas quand on appuie sur l'icône Marche/Arrêt du clavier utilisateur.	<p><b>A.</b> Le clavier utilisateur ne fonctionne pas.</p> <p><b>B.</b> La commande ne fonctionne pas.</p>	<p><b>A.</b> Remplacer le clavier utilisateur.</p> <p><b>B.</b> Remplacer la commande.</p>
10. La pompe fonctionne, mais la fonction de vitesse variable ne fonctionne pas.	<p><b>A.</b> Le moteur/la pompe ne fonctionne pas.</p> <p><b>B.</b> La commande ne fonctionne pas.</p>	<p><b>A.</b> Remplacer le moteur/la pompe.</p> <p><b>B.</b> Remplacer la commande.</p>
11. L'eau de la baignoire se refroidit pendant la marche de la pompe.	<p><b>A.</b> La température de l'eau dépasse 104°F (40°C).</p> <p><b>B.</b> Le chauffe-eau s'est arrêté manuellement ou automatiquement.</p> <p><b>C.</b> Le câblage entre le chauffe-eau et la commande est desserré, débranché ou endommagé.</p> <p><b>D.</b> Le chauffe-eau ne fonctionne pas.</p> <p><b>E.</b> La commande ne fonctionne pas.</p>	<p><b>A.</b> Laisser l'eau du bain refroidir.</p> <p><b>B.</b> Mettre le chauffe-eau en marche.</p> <p><b>C.</b> Vérifier les raccordements du câblage.</p> <p><b>D.</b> Remplacer le chauffe-eau.</p> <p><b>E.</b> Remplacer la commande.</p>
12. Fonctionnement bruyant.	<p><b>A.</b> Les sangles de retenue de la pompe n'ont pas été coupées.</p>	<p><b>A.</b> Couper les sangles de retenue de la pompe avec des cisailles de ferblantier.</p>

<b>Dépannage (cont.)</b>		
<b>Symptômes</b>	<b>Causes probables</b>	<b>Action recommandée</b>
	<b>B.</b> Joint torique de jet sec ou délogé (crissement).	<b>B.</b> Retirer le jet, remplacer et lubrifier le joint torique et réinstaller le jet.
<b>13.</b> La télécommande (si présente) ne fonctionne pas.	<b>A.</b> Les piles sont mal installées ou déchargées. <b>B.</b> L'antenne sur le faisceau de câblage est endommagée. <b>C.</b> La télécommande n'est pas programmée correctement. <b>D.</b> La télécommande ne fonctionne pas. <b>E.</b> La commande ne fonctionne pas.	<b>A.</b> Remplacer les piles. <b>B.</b> Changer le faisceau de câblage. <b>C.</b> Consulter le guide du propriétaire de la télécommande ou le manuel d'entretien de la baignoire à hydromassage. <b>D.</b> Changer la télécommande. <b>E.</b> Changer la commande.
<b>Dépannage du système de jets pour le cou</b>		
<b>Symptômes</b>	<b>Causes probables</b>	<b>Action recommandée</b>
<b>14.</b> Le clavier ne répond pas quand le mode jets pour le cou est sélectionné.	<b>A.</b> Le clavier utilisateur ne fonctionne pas.	<b>A.</b> Remplacer le clavier utilisateur.
<b>15.</b> La pompe fonctionne mais les jets pour le cou ne se mettent pas en marche. La barre indicatrice du clavier utilisateur clignote.	<b>A.</b> Le coussin n'est pas installé. <b>B.</b> Le commutateur à lames ne fonctionne pas. <b>C.</b> Le faisceau de câblage entre les jets pour le cou et la commande est desserré, débranché ou endommagé.	<b>A.</b> S'assurer que le coussin est bien attaché sur le corps des jets pour le cou. <b>B.</b> Vérifier le câblage du commutateur à lames et remplacer si nécessaire. <b>C.</b> Vérifier les raccordements du câblage. Remplacer le faisceau de câblage si nécessaire.
<b>16.</b> La pompe fonctionne mais les jets pour le cou ne se mettent pas en marche. La barre indicatrice du clavier utilisateur NE clignote PAS.	<b>A.</b> Le conduit de jets pour le cou est bouché. <b>B.</b> Le faisceau de câblage entre les jets pour le cou et la commande est desserré, débranché ou endommagé. <b>C.</b> La vanne papillon ne fonctionne pas. <b>D.</b> La commande ne fonctionne pas.	<b>A.</b> Déconnecter les conduits de jets pour le cou et éliminer l'obstruction. <b>B.</b> Vérifier les raccordements du câblage. Remplacer le faisceau de câblage si nécessaire. <b>B.</b> Remplacer la vanne papillon. <b>D.</b> Remplacer la commande.
<b>17.</b> L'eau coule des jets pour le cou, mais les jets pour le cou n'ont aucune pulsation.	<b>A.</b> Le faisceau de câblage entre la cartouche de pulsation des jets pour le cou et la commande est desserré, déconnecté ou endommagé. <b>B.</b> La cartouche de pulsation ne fonctionne pas. <b>C.</b> La commande ne fonctionne pas.	<b>A.</b> Vérifier les connexions du câblage. Remplacer le faisceau de câblage si nécessaire. <b>B.</b> Remplacer la vanne papillon. <b>C.</b> Remplacer la commande.



**Dépannage (cont.)****Dépannage du système de jets pour le dos**

Symptômes	Causes probables	Action recommandée
18. Les jets pour le dos ne fonctionnent pas.	<p>A. La pompe de la baignoire à hydromassage ne fonctionne pas.</p> <p>B. La valve papillon des jets pour le dos ne s'ouvre pas.</p> <p>C. Il n'y a pas suffisamment d'eau dans la baignoire à hydromassage.</p> <p>D. Le clavier utilisateur ne fonctionne pas.</p> <p>E. L'alimentation entre le moteur de la pompe et la commande est coupée.</p> <p>F. Les tuyaux des jets pour le dos sont bouchés.</p> <p>G. Le câblage de l'interrupteur entre l'interrupteur et la commande est déconnecté.</p>	<p>A. Mettre la pompe en marche.</p> <p>B. Rechercher des connexions ou des câbles desserrés, entre la cartouche de pulsation des jets pour le dos et la commande. Remplacer la cartouche de pulsation des jets pour le dos ou la commande si nécessaire.</p> <p>C. Remplir la baignoire à hydromassage de façon à ce que les capteurs de niveau soient couverts.</p> <p>D. Remplacer le clavier utilisateur.</p> <p>E. Rechercher des connexions ou câbles desserrés, entre le moteur de la pompe et la commande.</p> <p>F. Éliminer l'obstruction.</p> <p>G. Raccorder ou remplacer les câbles de l'interrupteur qui utilisent une fiche modulaire.</p>
19. Les jets pour le dos ne fonctionnent pas.	<p>A. La cartouche de pulsation ne fonctionne pas.</p>	<p>A. Rechercher des connexions ou des câbles desserrés, entre la cartouche de pulsation et la commande. Remplacer la cartouche de pulsation ou la commande si nécessaire.</p>

**Dépannage des jets d'effervescence**

Symptômes	Causes probables	Action recommandée
20. Les ports d'effervescence ne fonctionnent pas.	<p>A. La pompe de la baignoire à hydromassage ne fonctionne pas.</p> <p>B. La vanne papillon ne fonctionne pas.</p> <p>C. La pompe ne fonctionne pas.</p> <p>D. La commande ne fonctionne pas.</p>	<p>A. Mettre la pompe en marche.</p> <p>B. Remplacer la vanne papillon.</p> <p>C. Se référer au manuel d'entretien pour dépanner le système.</p> <p>D. Changer la commande.</p>
21. Les ports d'effervescence ne font pas de bulles.	<p>A. L'aspiration d'air sur la conduite d'aspiration est bouchée.</p> <p>B. Le débit d'eau est trop faible.</p>	<p>A. Éliminer l'obstruction.</p> <p>B. Augmenter le débit d'eau.</p>

**Dépannage des lampes de chromothérapie**

Symptômes	Causes probables	Action recommandée
22. Les lampes de chromothérapie ne fonctionnent pas.	<p>A. Le câblage ou les connexions sont desserrés, déconnectés ou endommagés.</p> <p>B. La commande ne fonctionne pas.</p>	<p>A. Vérifier les connexions du câblage. Changer le câblage si nécessaire.</p> <p>B. Changer la commande.</p>

## Garantie

### GARANTIE LIMITÉE D'UN AN

Les produits de plomberie KOHLER sont garantis contre tout vice de matériau et de fabrication pendant un an à partir de la date de l'installation.

Si un vice est découvert au cours d'une utilisation normale, Kohler Co. choisira, à sa discrétion, la réparation, le remplacement ou la rectification appropriée après inspection desdits vices par Kohler Co. pendant un (1) an à partir de la date d'installation. Kohler Co. n'est pas responsable des frais d'enlèvement ou d'installation. **L'utilisation de nettoyeurs à l'intérieur du réservoir annule la garantie.**

Pour obtenir le service de garantie, contacter Kohler Co., par l'intermédiaire du vendeur, plombier, centre de rénovation ou revendeur par internet, ou bien par écrit à l'adresse suivante Kohler Co., Attn.: Customer Care Center, 444 Highland Drive, Kohler, WI 53044, USA, ou appeler le 1-800-4-KOHLER (1-800-456-4537) à partir des É.-U. et du Canada, et le 001-800-456-4537 à partir du Mexique, ou consulter le site [www.kohler.com](http://www.kohler.com) aux É.-U., [www.ca.kohler.com](http://www.ca.kohler.com) à partir du Canada, ou [www.mx.kohler.com](http://www.mx.kohler.com) au Mexique.

**LES GARANTIES TACITES, Y COMPRIS CELLES DE COMMERCIALITÉ ET D'ADAPTATION À UN USAGE PARTICULIER, SONT EXPRESSÉMENT LIMITÉE À LA DURÉE DE LA PRÉSENTE GARANTIE. KOHLER CO. ET/OU LE REVENDEUR DÉCLINENT TOUTE RESPONSABILITÉ CONTRE LES DOMMAGES PARTICULIERS, ACCESSOIRES OU INDIRECTS.** Certains états et provinces ne permettent pas de limite sur la durée de la garantie tacite, ni l'exclusion ou la limite des dommages particuliers, accessoires ou indirects, et, par conséquent, lesdites limites et exclusions peuvent ne pas s'appliquer à votre cas. Cette garantie vous donne des droits juridiques particuliers. Vous pouvez également avoir d'autres droits qui varient d'un état ou d'une province à l'autre.

Ceci constitue la garantie écrite exclusive de Kohler Co.

## Garantie

### Pour le Mexique

KOHLER CO.

Il est recommandé de s'assurer qu'il ne manque aucun accessoire ou composant dans l'emballage au moment de l'achat.

Ce produit Kohler est garanti contre tout défaut de matériel et de fabrication pour une période d'un (1) an à partir de la date d'achat tel qu'indiqué sur la facture ou le reçu de caisse.

1. Kohler Co. effectuera seulement un entretien de ses produits commercialisés à travers son réseau de distributeurs agréés.
2. Pour obtenir un service-garantie, présenter la facture et le certificat de garantie du produit correspondant.
3. Kohler Co. s'engage, par l'intermédiaire de ses distributeurs autorisés, à réparer ou à remplacer tout produit défectueux par un modèle équivalent (dans les cas où les modèles ne sont plus fabriqués) lorsque le produit ne peut pas être réparé, sans frais pour le consommateur.
4. Le temps de réparation n'excédera pas six (6) semaines à compter de la date de réception du produit.
5. Il est recommandé que le consommateur conserve la facture ou le ticket de caisse comme mesure de protection supplémentaire, car ceux-ci pourraient remplacer la garantie dans le cas d'erreur de validité de la garantie.

### EXCEPTIONS ET RESTRICTIONS

La garantie perdra sa validité dans les cas suivants:

1. Lorsque le produit n'est pas utilisé conformément aux instructions d'utilisation et de fonctionnement indiquées dans le guide du propriétaire ou dans les instructions d'installation, et quand les recommandations et mises en garde ne sont pas respectées.
2. Quand le produit a été partiellement ou totalement modifié ou démonté, ou s'il a été utilisé d'une façon négligée ayant pour conséquence un endommagement causé par le consommateur, une personne ou un matériel non autorisé par Kohler Co.

**Garantie (cont.)**

3. Cette garantie ne couvre pas les dommages issus de catastrophes telles que les incendies ou les catastrophes naturelles, y compris les inondations, les tremblements de terre, les orages électriques, etc. Pour obtenir une liste des distributeurs dans votre région auprès desquels il est possible d'exercer ses droits dans le cadre de la présente garantie, composer le 001-800-456-4537.

KOHLER CO., KOHLER, WI 53044 U.S.A.

**IMPORTATEUR:**

INTERNACIONAL DE CERÁMICA, S.A.B. DE C.V.

AV. CARLOS PACHECO NO. 7200

CHIHUAHUA, CHIH., MEXICO C.P. 31060

TÉL.: 52 (14) 29-11-11

# Guía de instalación y cuidado

## Bañera de hidromasaje Instalación estándar

### Instrucciones de instalación



**ADVERTENCIA:** Al usar aparatos eléctricos siempre cumpla las precauciones básicas, incluidas las siguientes:



**PELIGRO: Riesgo de sacudidas eléctricas.** Conecte solo a un circuito protegido por un interruptor de circuito con pérdida a tierra (GFCI)\*.

El material de construcción y el cableado se deben colocar lejos del cuerpo de la bomba y de otros componentes que producen calor.

Instale de manera que quede acceso para dar servicio.

El compartimiento de cables incluye un conector a presión marcado "Earth/Ground" (tierra). Para reducir el riesgo de una sacudida eléctrica, conecte este conector al terminal de tierra de su tablero eléctrico o al panel de suministro eléctrico con un cable de cobre del tamaño equivalente al conductor del circuito que alimenta este equipo.

Se incluyen conectores a presión en el exterior de la caja de empalmes o del control dentro de esta unidad para permitir la conexión de un conductor equipotencial entre esta unidad y todo el metal expuesto en la cercanía, lo que sea necesario para cumplir requisitos locales.

El compartimiento de cables tiene un terminal de conexión a tierra para el equipo. Para reducir el riesgo de sacudidas eléctricas, este terminal se debe conectar a la conexión a tierra provista en el panel de suministro eléctrico con un conductor del tamaño equivalente al de los conductores del circuito que alimentan este equipo.

**Se requiere conexión a tierra.** Un representante de servicio autorizado debe instalar esta unidad y conectarla a tierra.



**ADVERTENCIA: Riesgo de lesiones personales o de daños a la propiedad.** Lea atentamente todas las instrucciones antes de comenzar la instalación, además de los requisitos detallados a continuación.



**ADVERTENCIA: Riesgo de sacudidas eléctricas.** Un electricista calificado debe hacer todas las conexiones eléctricas.



**ADVERTENCIA: Riesgo de sacudidas eléctricas.** Desconecte el suministro eléctrico antes de dar servicio.

**AVISO: Cumpla todos los códigos locales de electricidad y de plomería.** En Canadá, instale la unidad conforme al Código Eléctrico Canadiense, Parte 1.

\*Fuera de Estados Unidos, es posible que este dispositivo se conozca como dispositivo de corriente residual (RCD, por sus siglas en inglés).

### Información sobre el producto

#### Requisitos eléctricos

La instalación debe contar con un interruptor de circuito con pérdida a tierra (GFCI) o con un dispositivo de corriente residual (RCD) ambos de clase A. El GFCI o RCD protege contra el peligro de sacudida eléctrica de línea a tierra. **Utilice un circuito de servicio eléctrico dedicado de 220 - 240 V, 20 A, 50/60 Hz para la bañera de hidromasaje.**

## Información sobre el producto (cont.)

### Avisos sobre el producto



**ADVERTENCIA:** Las modificaciones no autorizadas pueden causar un funcionamiento peligroso y bajo rendimiento de la bañera de hidromasaje. No cambie la ubicación de la bomba de la bañera de hidromasaje, ni haga otras modificaciones en el sistema de hidromasaje, ya que esto podría tener un efecto adverso en el rendimiento y en el funcionamiento seguro de la bañera de hidromasaje. Kohler Co. no será responsable bajo su garantía o de ninguna otra forma, de lesiones personales o daños provocados por modificaciones no autorizadas.

### Características

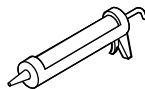
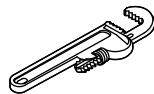
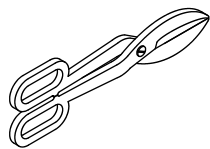
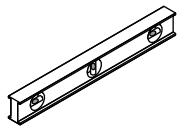
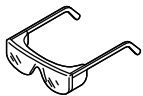
**Serie "CT":** Los componentes incluyen una bomba, un calentador, un control, puertos efervescentes, luces de cromoterapia y un teclado iluminado con control remoto.

**Serie "AH":** Los componentes incluyen una bomba, un calentador, un control, puertos efervescentes, luces de cromoterapia, jets de hidromasaje y un teclado iluminado con control remoto.

**Serie "M":** Los componentes incluyen una bomba, un calentador, un control, un sistema de jets para la espalda, un sistema de jets para el cuello, jets de hidromasaje y un teclado iluminado con control remoto.

**Serie "V":** Los componentes incluyen una bomba, un calentador, un control, un sistema de jets para la espalda, un sistema de jets para el cuello, puertos efervescentes, luces de cromoterapia, jets de hidromasaje y un teclado iluminado con control remoto.

### Herramientas y materiales



Tijeras para chapa

Sellador 100% de silicona

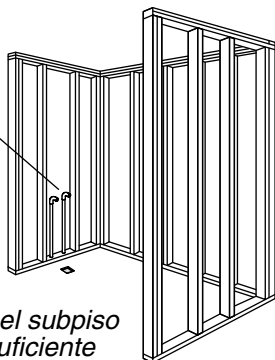
Más:

- Herramientas y materiales convencionales de carpintería
- Lona
- Adhesivo de construcción (opcional)
- Cemento\* o mortero (opcional)
- Postes de madera de 2x4

\* No utilice cemento de yeso.

### Encajonado entre tres paredes

Coloque las tuberías de plomería.



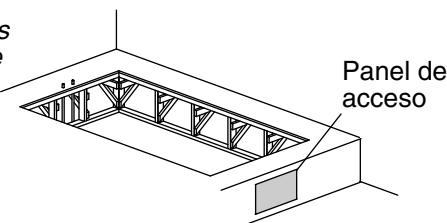
Construya una estructura de postes de madera de 2x4 según las dimensiones del producto.

Verifique que el subpiso proporcione suficiente soporte y que esté plano y a nivel.

### De sobreponer

Construya según el las dimensiones del producto.

Coloque las tuberías de plomería.



Verifique que el subpiso proporcione suficiente soporte y que esté plano y a nivel.

## 1. Prepare el sitio

**AVISO:** Mida el producto para preparar el lugar. Fíjese en el **número de modelo** ubicado en la bomba, luego visite la página del producto en [www.kohler.com](http://www.kohler.com) para más información.

**AVISO:** Deje **amplio acceso, sin restricciones a la bomba**. Usted debe proveer acceso para dar servicio a la bomba y los controles. El acceso se debe dejar justo al lado de la bomba.

**AVISO:** No levante la bañera de hidromasaje por los tubos o por la bomba, ni use los tubos ni la bomba como soporte estructural de la bañera de hidromasaje. Para evitar causar daños a la bañera de hidromasaje, levántela por los lados.

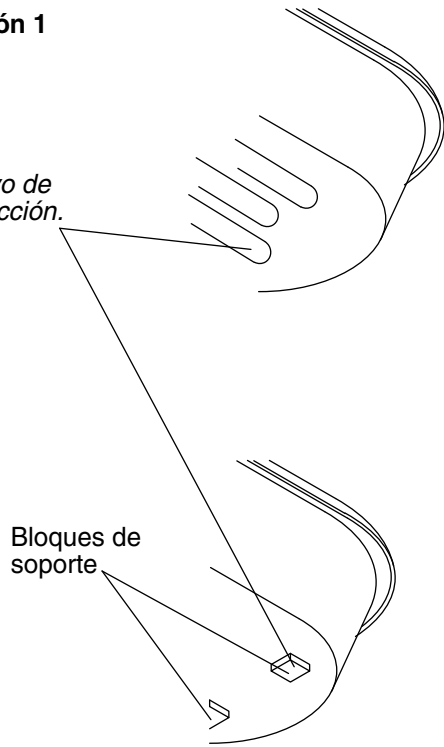
**AVISO:** No apoye el peso de la bañera de hidromasaje sobre el reborde.

**NOTA:** De acuerdo al producto elegido es posible realizar una instalación de sobreponer, encajonada entre tres paredes o en esquina.

- Antes de la instalación, saque las piezas de la caja y revise que la bañera de hidromasaje nueva no presente daños. Si la bañera de hidromasaje presenta daños, no la instale; comuníquese con su distribuidor.
- Asegúrese de que el piso ofrezca suficiente soporte para su bañera de hidromasaje y verifique que el subpiso esté plano y nivelado.
- Construya una estructura de postes de madera de 2x4.
- Instale un panel de acceso para dar servicio futuro a la bomba. Este panel de acceso debe tener por lo menos 20" (508 mm) de ancho y 15" (381 mm) de alto.
- Instale el tendido de plomería.
- Instale el desagüe en la bañera de hidromasaje de acuerdo a las instrucciones del fabricante del desagüe.
- Proteja la superficie de la bañera de hidromasaje colocando una lona limpia en el fondo.

### Opción 1

Aplique adhesivo de construcción.

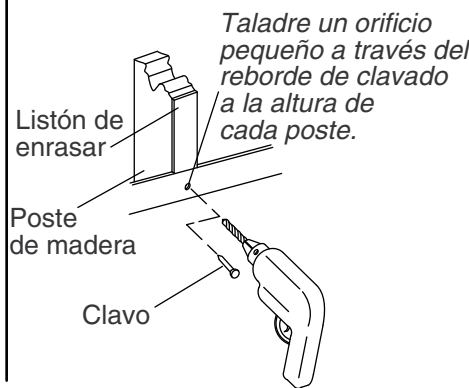


### Opción 2

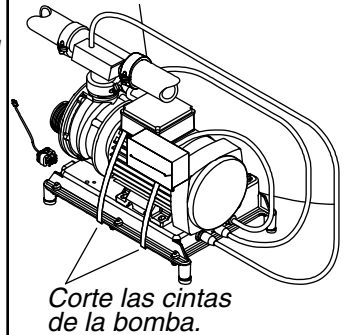
Limpie el espacio para la bomba.

Capa de cemento o mortero

#### Instalaciones de encajonado entre tres paredes o en esquina



#### Corte las cintas metálicas que sujetan la bomba



## 2. Instale la bañera de hidromasaje

**AVISO:** No levante la bañera de hidromasaje por los tubos o por la bomba, ni use los tubos ni la bomba como soporte estructural de la bañera de hidromasaje. Para evitar causar daños a la bañera de hidromasaje, levántela por los lados.

**AVISO:** No apoye la bañera de hidromasaje sobre el borde.

- Si el subpiso no está nivelado, acúñe los bloques de soporte o los soportes moldeados de la bañera de hidromasaje según sea necesario.

### Opción 1: Instale con adhesivo de construcción

**NOTA:** Algunos modelos vienen con bloques de soporte; algunos modelos tienen soportes moldeados.

- Aplique una cantidad abundante de adhesivo de construcción de alta calidad en la parte inferior de los bloques de soporte o de los soportes moldeados. Con ayuda, coloque con cuidado la bañera de hidromasaje en su lugar.

### Opción 2: Instale con una capa de cemento o mortero

**NOTA:** No utilice cemento de yeso o pasta para paneles de yeso con esta aplicación, puesto que no se produce adherencia aceptable ni duradera.

- Coloque el área del fondo en una capa de cemento mortero de 1" (25 mm) a 2" (51 mm).

**NOTA:** El control de la bomba (cuando las cintas flejadoras de la bomba están cortadas) debe descansar directamente sobre el subpiso. El control de la bomba no debe entrar en contacto con el mortero.

**Fije las pestañas para clavar (unidades para encajonado entre tres paredes)**

### **Instale la bañera de hidromasaje (cont.)**

- Taladre un pequeño orificio guía a través de la pestaña para clavar en cada poste de madera. Agregue cuñas según sea necesario.
- Utilice clavos galvanizados de cabeza grande para fijar la pestaña para clavar a los postes.
- Clave listones de enrasar de 1/4" (6 mm) a los postes.

### **Corte las cintas flejadoras que sujetan la bomba**

**¡IMPORTANTE!** Este paso es necesario para que su bañera de hidromasaje funcione más silenciosamente.

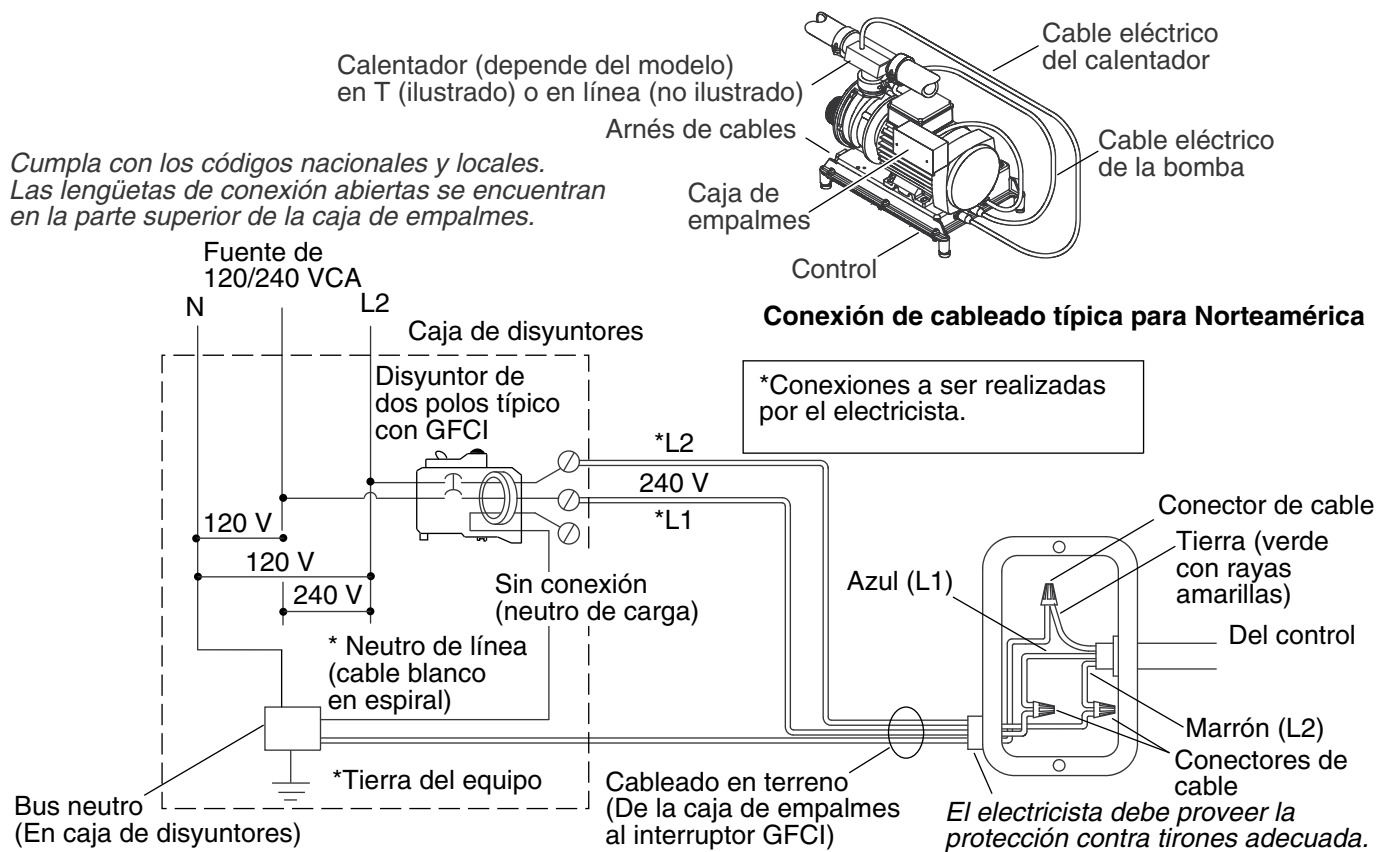
- Con unas tijeras para chapa, corte las dos cintas flejadoras en la bomba de la bañera de hidromasaje.

**NOTA:** No suba la bomba más arriba de lo que estaba antes de cortar las cintas metálicas. Si la bomba está demasiado alta, no cebará correctamente. Asegúrese de que las patas aislantes de goma estén en su lugar.

### **Instale la plomería**

- Introduzca el tubo final de desagüe en la trampa. Fije el tubo final de desagüe a la trampa.
- Instale la válvula de la grifería.
- Revise que no haya fugas en las conexiones de desagüe.
- Si es necesario, instale las agarraderas según las instrucciones.





### 3. Haga las conexiones eléctricas

**NOTA:** El número de modelo está impreso en una etiqueta en el lado de la bomba de la bañera de hidromasaje. Esta etiqueta también identifica la capacidad nominal eléctrica del producto. **Todas las bañeras de hidromasaje están equipadas con una caja de empalmes y están diseñadas para funcionar entre 220 V y 240 V a 50 Hz o 60 Hz.**



**ADVERTENCIA: Riesgo de sacudida eléctrica.** Asegúrese de desconectar la corriente eléctrica antes de realizar los siguientes procedimientos.

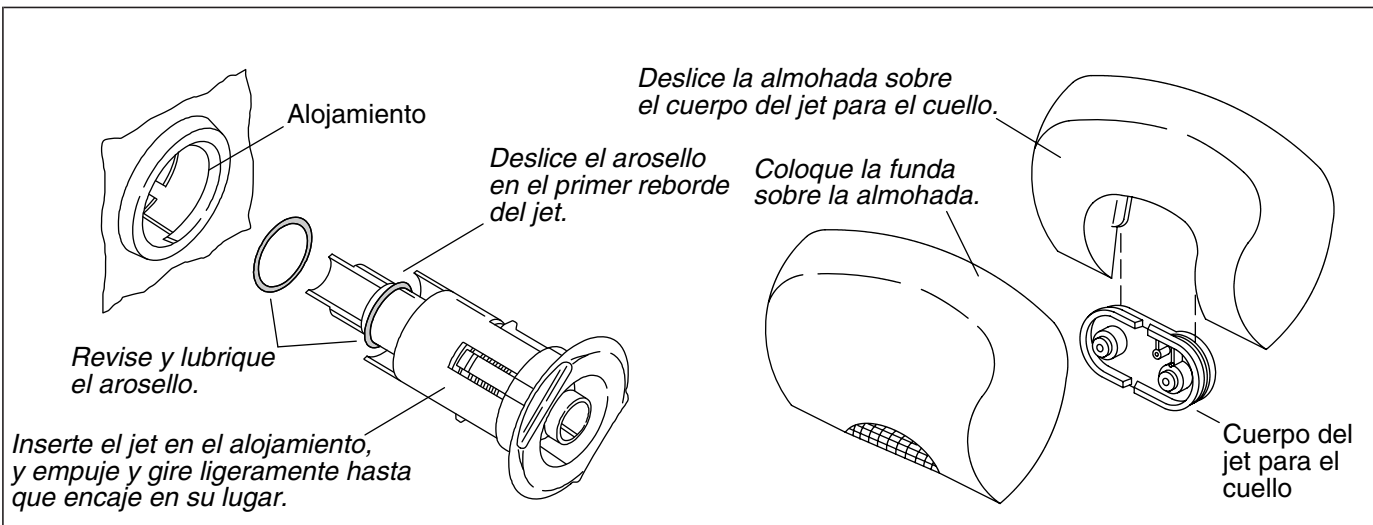


**ADVERTENCIA: Riesgo de sacudida eléctrica.** Conecte la bomba a un interruptor, con conexión a tierra, de circuito con pérdida a tierra (GFCI) o dispositivo de corriente residual (RCD). Esto sirve de protección adicional contra el peligro de sacudida eléctrica de línea a tierra. Se requiere un circuito dedicado de 220-240 V, 20 A, 50/60 Hz.

**¡IMPORTANTE!** El **neutro de carga** no se usa. No debe haber conexión al terminal de **neutro de carga** en el interruptor de circuito con pérdida a tierra (GFCI). El cable verde con la raya amarilla es la **tierra del equipo** y se debe conectar al bus neutro en la caja de disyuntores principal.

**NOTA:** El arnés de cables incluye una antena para el control remoto opcional. No modifique ni dañe esta antena durante la instalación.

- Conecte el cable de servicio eléctrico a la caja de empalmes. La caja de empalmes tiene cables azules, marrones y verdes con una raya amarilla, así como una lengüeta de conexión a tierra.
- Cumpla los códigos eléctricos locales. Haga conexiones equipotenciales de acuerdo a los códigos nacionales y locales.



## 4. Instale el kit de guarnición de la bañera de hidromasaje

### Instale el kit de guarnición

- Instale la tapa de succión y los jets según las instrucciones incluidas con el kit de guarnición.

### Instale la guarnición de los jets para el cuello (si se incluyen)

**NOTA:** Los jets para el cuello no funcionarán si la almohada no está instalada. La funda debe emplearse para evitar que el agua salpique fuera de la bañera de hidromasaje.

- Elija una funda y colóquela sobre la almohada.
- Deslice con cuidado la almohada sobre las ranuras del cuerpo de los jets para el cuello hasta que esté fija.

### Pruebe el funcionamiento de la bañera de hidromasaje

- Llene la bañera de hidromasaje a un nivel de por lo menos 2" (51 mm) arriba del jet más alto.
- Deje funcionar la bañera de hidromasaje durante 5 minutos y revise que no haya fugas en las conexiones de todas las tuberías de la bañera de hidromasaje. Verifique que no haya fugas a lo largo del frente, los lados y la parte posterior de la bañera de hidromasaje.
- Encienda cada una de las funciones de la bañera de hidromasaje para verificar que funcione correctamente. Verifique que no haya fugas de agua a lo largo del frente, los lados y la parte posterior de la bañera de hidromasaje.
- Para obtener información adicional sobre el funcionamiento de la bañera de hidromasaje, consulte la sección "Instrucciones de funcionamiento".

### Termine de hacer la instalación

- Instale panel de yeso impermeable y todos los materiales de acabado de la pared, la cubierta y el piso.
- Aplique sellador de silicona para sellar todas las áreas donde hacen contacto la bañera de hidromasaje y la pared acabada o la cubierta.
- Instale la guarnición de la grifería.

### Limpieza después de la instalación

- Al limpiar después de la instalación, **no utilice productos de limpieza abrasivos** pues pueden rayar y opacar la superficie de la bañera de hidromasaje. De ser necesario, utilice agua tibia y un detergente líquido para limpiar la superficie de la bañera de hidromasaje, el teclado y el control remoto.

## Instale el kit de guarnición de la bañera de hidromasaje (cont.)

- Limpie las manchas difíciles de quitar o la pintura con aguarrás o con diluyente de pintura. **No permita que los productos de limpieza que contengan destilados de petróleo permanezcan en contacto con la superficie de la bañera de hidromasaje durante periodos prolongados.** Raspe con un canto de madera para retirar con cuidado el yeso. No utilice raspadores de metal, cepillos de alambre ni otras herramientas metálicas. Se puede utilizar detergente en polvo con un trapo húmedo para proporcionar una acción abrasiva suave en los residuos de yeso.

# Instrucciones importantes de seguridad

## LEA Y SIGA TODAS LAS INSTRUCCIONES

## GUARDE ESTAS INSTRUCCIONES

### INSTRUCCIONES RELATIVAS A LOS RIESGOS DE INCENDIO, SACUDIDA ELÉCTRICA O LESIONES PERSONALES



**ADVERTENCIA:** Al usar aparatos eléctricos siempre cumpla las precauciones básicas, incluidas las siguientes:



**PELIGRO:** Riesgo de lesiones personales o ahogamiento. Para reducir el riesgo de lesiones, no permita que los niños usen este producto sin supervisión estricta en todo momento.



**ADVERTENCIA:** Riesgo de lesiones personales. Para evitar lesiones, tenga cuidado al entrar y salir de la bañera de hidromasaje.



**ADVERTENCIA:** Riesgo de sacudidas eléctricas. No coloque aparatos eléctricos (como secador de pelo, lámparas, teléfono, radio o televisión) a menos de 5' (1,5 m) de esta bañera de hidromasaje.



**ADVERTENCIA:** El uso de alcohol, drogas o medicamentos puede aumentar enormemente el riesgo de sufrir hipertermia fatal. La inmersión prolongada en agua caliente puede producir hipertermia. Ocurre hipertermia cuando la temperatura interna del cuerpo alcanza un nivel varios grados más arriba de la temperatura corporal normal de 98,6°F (37°C). Los síntomas de hipertermia incluyen aumento de la temperatura corporal interna, mareos, letargo, somnolencia y desfallecimiento. Los efectos de hipertermia incluyen: (a) incapacidad para percibir calor, (b) incapacidad para reconocer la necesidad de salir de la bañera de hidromasaje, (c) inconsciencia de un peligro inminente, (d) daño al feto en mujeres embarazadas, (e) inhabilidad física para salir de la bañera de hidromasaje y (f) pérdida del conocimiento con peligro de ahogarse.



**ADVERTENCIA:** Riesgo de hipertermia. Las personas bajo tratamiento médico o que padezcan de alguna condición médica deben consultar con un médico antes de utilizar una bañera de hidromasaje equipada con un calentador.



**ADVERTENCIA:** Riesgo de lesiones mortales. Las mujeres embarazadas o que posiblemente estén embarazadas deben consultar a un médico antes de usar la bañera de hidromasaje.



**ADVERTENCIA:** Riesgo de hipertermia o ahogamiento. No utilice la bañera de hidromasaje inmediatamente después de hacer ejercicio.



**ADVERTENCIA:** Riesgo de hipertermia o ahogamiento. La temperatura del agua superior a 100°F (38°C) puede causar lesiones. Pruebe y ajuste la temperatura del agua antes de usar la bañera.



**ADVERTENCIA:** Riesgo de lesiones personales o ahogamiento. No permita que esta unidad funcione sin la guarda (tapa) en el conector de succión.

## Instrucciones importantes de seguridad (cont.)



**ADVERTENCIA: Riesgo de lesiones personales.** No deje caer ni introduzca objetos en ninguna de las aberturas.

Use esta bañera de hidromasaje únicamente con el fin para el que se ha fabricado, tal como se explica en esta guía. No use equipos adicionales que no recomiende Kohler Co.

La bañera de hidromasaje se debe conectar a un circuito protegido por un interruptor de circuito con pérdida a tierra (GFCI)\*. El instalador debe suministrar dicho interruptor GFCI, cuyo funcionamiento debe probarse en forma rutinaria. Para probar el GFCI, oprima el botón de prueba. El GFCI debe interrumpir el suministro eléctrico. Oprima el botón de restablecer (Reset). Esto debe restablecer el suministro eléctrico. Si el GFCI no funciona de esta manera, significa que está averiado. Si el GFCI interrumpe la alimentación eléctrica a la bañera de hidromasaje sin haber activado el botón de prueba, significa que existe corriente a tierra, indicando la posibilidad de una sacudida eléctrica. No utilice esta bañera de hidromasaje. Desconecte la bañera de hidromasaje, y antes de usarla, haga que un representante de servicio autorizado solucione el problema.

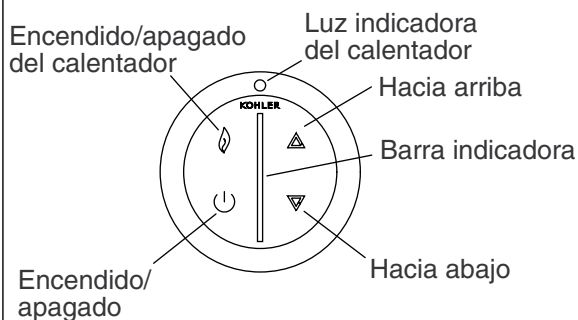
Limpie el sistema de hidromasaje dos o más veces al mes, de acuerdo al uso, tal como se describe en la sección "Haga circular agua para limpiar el sistema" de esta guía.

El uso constante de productos de higiene personal que contengan aceites puede dañar los componentes plásticos de la bañera de hidromasaje. Evite el uso de aceites de baño.

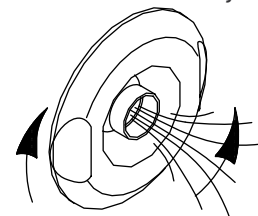
La acción del hidromasaje puede hacer que una pequeña cantidad de líquidos para hacer burbujas, champú, jabón o aceite de baño espume en exceso. Por esta razón, no utilice estos productos durante el funcionamiento de la bañera de hidromasaje.

Su nueva bañera de hidromasaje KOHLER está incluida en la lista de Underwriter's Laboratories, asegurando así su seguridad y la de su familia. Asimismo, esta bañera de hidromasaje cumple las estrictas normas del ANSI y de IAPMO establecidas dentro de la industria de plomería.

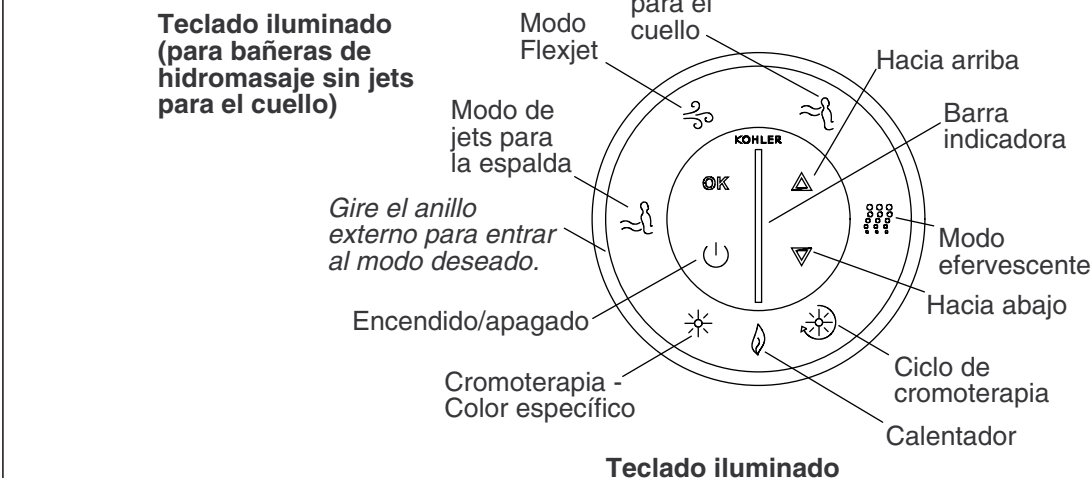
\*Fuera de los Estados Unidos, este dispositivo se conoce como dispositivo de corriente residual (RCD, por sus siglas en inglés).



Gire la guarnición del jet hacia la derecha para disminuir el flujo.



Gire la guarnición del jet hacia la izquierda para aumentar el flujo.



## Instrucciones de funcionamiento

### Todos los modelos

**NOTA:** Un calentador integrado ayuda a mantener la temperatura del agua cuando la bañera de hidromasaje está en funcionamiento. Si la temperatura sube de 104°F (40°C), el calentador se apaga.

- Coloque las boquillas de los jets de manera que miren hacia abajo en la bañera. Gire los anillos decorativos de los jets totalmente hacia la izquierda.
- **Llene la bañera de hidromasaje hasta un nivel de agua por lo menos 2" (51 mm) sobre la parte superior del jet más alto.**
- Oprima el icono de encendido para encender la bañera de hidromasaje. La bañera de hidromasaje comienza a funcionar con flujo medio, y el calentador se enciende automáticamente.
- Oprima el icono de flecha hacia arriba o hacia abajo en el teclado para ajustar el flujo de agua. La barra indicadora en el centro del teclado muestra el caudal del flujo de agua.
- Ajuste cada jet para obtener una mezcla óptima de aire/agua. Gire la guarnición del jet hacia la derecha para reducir el flujo de aire, y hacia la izquierda para aumentarlo.
- Oprima el icono del calentador para apagar y encender el calentador. Cuando está iluminada, la luz indicadora muestra que la temperatura del agua se va a mantener en hasta 104°F (40°C).
- Vuelva a oprimir el icono de encendido para apagar la bañera de hidromasaje.

**NOTA:** El temporizador integrado apaga automáticamente el motor y la bomba después de aproximadamente 20 minutos de funcionamiento.

### Modelos con jets para el cuello

### **Instrucciones de funcionamiento (cont.)**

- Verifique que la funda esté bien colocada en la almohada y que la almohada esté bien sujeta al cuerpo del jet para el cuello.
- Con la bañera de hidromasaje en funcionamiento, gire el anillo externo hasta que el icono de jets para el cuello parpadee. Oprima "OK" para activar los jets para el cuello. La acción de pulsación de los jets para el cuello comenzará a velocidad media.
- Ajuste la acción de pulsación de los jets para el cuello oprimiendo el icono hacia arriba o hacia abajo.
- Para ajustar los distintos modos cuando los jets para el cuello estén en marcha, gire el anillo externo hasta que el modo deseado parpadee y oprima "OK."
- Oprima "OK" cuando el modo de los jets para el cuello esté parpadeando para así apagarlo.
- Vuelva a oprimir el icono de encendido/apagado por segunda vez para apagar la bañera de hidromasaje.

### **Funcionamiento de los jets para el cuello y la espalda (de estar equipados)**

- Gire el anillo externo hasta que el modo de jets para la espalda parpadee y oprima "OK". La acción de pulsación de los jets para la espalda comenzará a velocidad media. Los jets para la espalda pulsán, de dos en dos, desde la parte inferior de la bañera hacia la parte superior, tanto con flujo de agua como pulsación.

**NOTA:** Si el nivel del agua desciende por debajo de los sensores del nivel de agua, los jets para la espalda se detendrán. El icono de los jets para la espalda y la barra indicadora en el teclado empezarán a parpadear. Los jets para la espalda se reactivarán automáticamente cuando el nivel del agua cubra los sensores.

- Para ajustar la acción de pulsación de los jets para la espalda utilice los iconos hacia arriba y hacia abajo.
- Para ajustar el caudal del flujo de los jets para la espalda, gire el anillo externo al modo Flexjet, oprima "OK" y oprima los iconos hacia arriba o hacia abajo. (Esto también ajusta el flujo de todos los modos.)

**NOTA:** Para activar o desactivar los distintos modos mientras los jets para el cuello y/o la espalda estén en marcha, gire el anillo externo hasta que el modo deseado parpadee y oprima "OK". (Por ejemplo: Para apagar el calentador, gire el anillo hasta que el icono del calentador parpadee, luego oprima "OK").

- Oprima "OK" cuando el modo de los jets para el cuello esté parpadeando para así apagarlo.
- Oprima "OK" cuando el modo de los jets para la espalda esté parpadeando para así apagarlo.

### **Funcionamiento del modo efervescente (de estar equipado)**

- Con la bañera de hidromasaje en funcionamiento, gire el anillo externo hasta que parpadee el icono del modo efervescente. Oprima "OK" para activar los puertos efervescentes. La acción efervescente comenzará con el caudal de flujo establecido durante el modo de flujo Flexjet.
- Ajuste el caudal de flujo oprimiendo el icono hacia arriba o hacia abajo.

**NOTA:** El modo Flexjet, los jets para la espalda, y los jets para el cuello se apagarán automáticamente cuando se active el modo efervescente. La cromoterapia se puede utilizar con este y todos los modos de funcionamiento.

- Oprima "OK" mientras el modo efervescente esté parpadeando para así apagar los puertos efervescentes.

### **Funcionamiento de la cromoterapia (si está equipada)**

**NOTA:** La cromoterapia se puede utilizar con todos los modos de funcionamiento, y también cuando la bomba no esté en marcha.

## Instrucciones de funcionamiento (cont.)

- **Ciclo de cromoterapia:** Para seleccionar este modo, gire el anillo externo y oprima "OK" para activar. Oprima "OK" otra vez para apagar las luces.

**NOTA:** Cuando este modo está activado, las luces de cromoterapia cambian de color automática y continuamente en ocho colores; blanco, violeta, azul índigo, azul agua, verde, amarillo, naranja y rojo. Un ciclo de ocho colores tarda aproximadamente un minuto.

- **Selección de un color específico de cromoterapia:** Gire el anillo externo al Color Específico de Cromoterapia y oprima "OK" para activar. Oprima los iconos hacia arriba o hacia abajo para seleccionar el color deseado. Para apagar las luces, oprima "OK" mientras el modo de cromoterapia está activo.

## Control remoto

**NOTA:** Consulte la Guía del Usuario provista con el control remoto para las instrucciones detalladas del funcionamiento.

- El control remoto impermeable está diseñado para usarse en la bañera y flota en el agua.
- El control remoto utiliza dos pilas AAA.

## Cuidado y limpieza

Para obtener los mejores resultados, tenga presente lo siguiente al limpiar su producto KOHLER:

- Siempre pruebe la solución de limpieza en un área oculta antes de aplicarla a toda la superficie.
- Limpie con un paño las superficies, y enjuague completa e inmediatamente con agua después de haber aplicado el limpiador. Enjuague y seque las superficies cercanas que hayan recibido salpicaduras.
- No deje mucho tiempo los limpiadores en las superficies.
- Utilice una esponja humedecida o un paño suave y húmedo. Para limpiar las superficies nunca utilice materiales abrasivos, como cepillos o estropajos de tallar.

Para obtener información detallada de limpieza y de productos a considerar, visite [www.kohler.com/clean](http://www.kohler.com/clean). Para solicitar información sobre el cuidado y la limpieza, llame al 1-800-456-4537.

## Haga circular agua para limpiar el sistema

**NOTA:** Limpie el sistema de hidromasaje dos o más veces al mes, de acuerdo al uso.

- Gire los anillos decorativos de los jets completamente hacia la derecha para reducir la inducción de aire.
- Llene la bañera de hidromasaje con agua caliente a un nivel por lo menos 2" (51 mm) arriba del jet más alto.
- Añada al agua 2 cucharaditas (10 ml) de detergente para lavaplatos automático que produzca poca espuma y 20 onzas (590 ml) de blanqueador para uso doméstico (5% a 6% hipoclorito de sodio).
- Haga funcionar la bañera de hidromasaje de 5 a 10 minutos. Apague la bañera de hidromasaje y vacíela.
- Si lo desea, enjuague las superficies de la bañera con agua.
- Enjuague las superficies de los jets, la grifería, las agarraderas y el desagüe y seque con un paño suave.

## Resolución de problemas

**AVISO:** El propósito de esta sección es solo ayuda general. Todos los problemas eléctricos deben ser resueltos por un representante de servicio autorizado de Kohler Co. o un electricista calificado. Para obtener el servicio de garantía, llame 1-800-4KOHLER desde los EE.UU. y Canadá, o al 001-800-456-4537 desde México.

## Resolución de problemas (cont.)

**NOTA:** El número de modelo está impreso en una etiqueta en el lado de la bomba de la bañera de hidromasaje.

**NOTA:** Para consultar información sobre piezas de repuesto, visite la página de su producto en [www.kohler.com/serviceparts](http://www.kohler.com/serviceparts).

### Guía para resolver problemas del sistema de la bañera de hidromasaje

Síntomas	Causas probables	Acción recomendada
1. El teclado del usuario no se ilumina cuando se oprime el icono de encendido o (si corresponde) se gira el anillo externo.	<p><b>A.</b> El control no tiene alimentación eléctrica.</p> <p><b>B.</b> El GFCI o el RCD se ha disparado.</p> <p><b>C.</b> El arnés de cables del teclado del usuario al control está suelto, desconectado o dañado.</p> <p><b>D.</b> El teclado del usuario no funciona.</p> <p><b>E.</b> El control no funciona.</p>	<p><b>A.</b> Verifique el cableado y conecte el suministro eléctrico.</p> <p><b>B.</b> Oprima el botón de restablecer el GFCI o el RCD.</p> <p><b>C.</b> Revise que los cables estén correctamente conectados. Cambie el arnés de cableado de ser necesario.</p> <p><b>D.</b> Cambie el teclado del usuario.</p> <p><b>E.</b> Cambie el control.</p>
2. El motor arranca, pero no todos los jets funcionan.	<p><b>A.</b> El jet está cerrado.</p> <p><b>B.</b> El jet no está instalado correctamente.</p> <p><b>C.</b> Los jets están tapados.</p>	<p><b>A.</b> Gire la guarnición del jet hacia la izquierda para abrirlo.</p> <p><b>B.</b> Vuelva a instalar el jet; revise que el arosello no esté dañado.</p> <p><b>C.</b> Elimine la obstrucción.</p>
3. El teclado del usuario está iluminado, pero no responde a los iconos ni al anillo externo.	<p><b>A.</b> El programa de control está bloqueado.</p> <p><b>B.</b> El arnés de cableado del teclado del usuario al control está suelto, desconectado o dañado.</p> <p><b>C.</b> El teclado del usuario no funciona.</p> <p><b>D.</b> El control no funciona.</p>	<p><b>A.</b> Oprima el botón de restablecer el GFCI o el RCD.</p> <p><b>B.</b> Revise que los cables estén correctamente conectados. Cambie el arnés de cableado de ser necesario.</p> <p><b>C.</b> Cambie el teclado del usuario.</p> <p><b>D.</b> Cambie el control.</p>
4. Al encender la unidad, la barra indicadora del teclado del usuario continúa en modo de búsqueda.	<p><b>A.</b> El programa de control está bloqueado.</p> <p><b>B.</b> El arnés de cableado del teclado del usuario al control está suelto, desconectado o dañado.</p> <p><b>C.</b> El teclado del usuario no funciona.</p> <p><b>D.</b> El control no funciona.</p>	<p><b>A.</b> Oprima el botón de restablecer el GFCI o el RCD.</p> <p><b>B.</b> Revise que los cables estén correctamente conectados. Cambie el arnés de cableado de ser necesario.</p> <p><b>C.</b> Cambie el teclado del usuario.</p> <p><b>D.</b> Cambie el control.</p>
5. El teclado del usuario está iluminado, pero la bomba no arranca.	<p><b>A.</b> El cable de suministro eléctrico de la bomba al control está suelto, desconectado o dañado.</p> <p><b>B.</b> La bomba no funciona.</p> <p><b>C.</b> El control no funciona.</p>	<p><b>A.</b> Revise que los cables estén correctamente conectados.</p> <p><b>B.</b> Cambie la bomba.</p> <p><b>C.</b> Cambie el control.</p>



## Resolución de problemas (cont.)

Síntomas	Causas probables	Acción recomendada
6. El motor funciona pero la bomba no hace el cebado (se produce cavitación).	<p>A. Se ha elevado demasiado la bomba con cuñas.</p> <p>B. Pequeña fuga de aire en la entrada de la bomba.</p> <p>C. El motor/la bomba no funciona.</p> <p>D. El control no funciona.</p>	<p>A. Baje la bomba/el control al nivel del subpiso.</p> <p>B. Apriete con firmeza las tuercas en el lado de admisión de la bomba.</p> <p>C. Cambie el motor/la bomba.</p> <p>D. Cambie el control.</p>
7. La bomba se detiene antes de funcionar durante 18 minutos.	<p>A. El GFCI o el RCD se ha disparado.</p> <p>B. La succión está obstruida.</p> <p>C. Los jets están tapados.</p> <p>D. El motor se sobrecalentó y se activó el dispositivo de protección.</p>	<p>A. Identifique la causa de la falla y corríjala. Oprima el botón de restablecer el interruptor GFCI o RCD.</p> <p>B. Elimine la obstrucción.</p> <p>C. Elimine la obstrucción.</p> <p>D. Revise si hay obstrucciones en la succión y/o en los jets. Elimine la obstrucción y deje enfriar el motor.</p>
8. La bomba no se apaga automáticamente después de 22 minutos.	<p>A. El temporizador de 20 minutos ha sido desactivado inadvertidamente.</p>	<p>A. Consulte el manual de servicio.</p>
9. La bomba no se apaga cuando se oprime el icono de encendido en el teclado del usuario.	<p>A. El teclado del usuario no funciona.</p> <p>B. El control no funciona.</p>	<p>A. Cambie el teclado del usuario.</p> <p>B. Cambie el control.</p>
10. La bomba funciona, pero la característica de velocidad variable no funciona.	<p>A. El motor/la bomba no funciona.</p> <p>B. El control no funciona.</p>	<p>A. Cambie el motor/la bomba.</p> <p>B. Cambie el control.</p>
11. El agua de la bañera se enfría mientras la bomba está funcionando.	<p>A. La temperatura del agua excede 104°F (40°C).</p> <p>B. El calentador se ha apagado ya sea manual o automáticamente.</p> <p>C. El cable del calentador al control está suelto, desconectado o dañado.</p> <p>D. El calentador no funciona.</p> <p>E. El control no funciona.</p>	<p>A. Deje enfriar el agua de la bañera.</p> <p>B. Encienda el calentador.</p> <p>C. Revise que los cables estén correctamente conectados.</p> <p>D. Cambie el calentador.</p> <p>E. Cambie el control.</p>
12. Funcionamiento ruidoso.	<p>A. Las cintas flejadoras de la bomba no han sido cortadas.</p> <p>B. El arosello del jet está mal colocado o seco (ruidoso).</p>	<p>A. Corte las cintas flejadoras con tijeras para chapa.</p> <p>B. Retire el jet, cambie y lubrique el arosello, y vuelva a instalar el jet.</p>
13. El control remoto (si está equipado) no funciona.	<p>A. Las pilas están mal instaladas o descargadas.</p> <p>B. La antena en el arnés de cables está dañada.</p> <p>C. El control remoto no ha sido programado correctamente.</p> <p>D. El control remoto no funciona.</p> <p>E. El control no funciona.</p>	<p>A. Cambie las pilas.</p> <p>B. Cambie el arnés de cables.</p> <p>C. Consulte la Guía del usuario del control remoto o el Manual de servicio de la bañera de hidromasaje.</p> <p>D. Cambie el control remoto.</p> <p>E. Cambie el control.</p>

Guía para resolver problemas del sistema de los jets para el cuello

## Resolución de problemas (cont.)

Síntomas	Causas probables	Acción recomendada
14. El teclado no responde cuando el modo de jets para el cuello está seleccionado.	A. El teclado del usuario no funciona.	A. Cambie el teclado del usuario.
15. La bomba funciona, pero los jets para el cuello no se activan. La barra indicadora del teclado está parpadeando.	A. La almohada no está instalada.  B. El interruptor de láminas no funciona. C. El arnés de cableado de los jets para el cuello al control está suelto, desconectado o dañado.	A. Asegúrese de que la almohada esté correctamente colocada al cuerpo de los jets para el cuello.  B. Revise los cables del interruptor de láminas y cámbielos si es necesario. C. Revise que los cables estén correctamente conectados. Cambie el arnés de cableado de ser necesario.
16. La bomba funciona, pero los jets para el cuello no se activan. La barra indicadora del teclado NO está parpadeando.	A. La tubería de los jets para el cuello está obstruida.  B. El arnés de cableado de los jets para el cuello al control está suelto, desconectado o dañado. C. La válvula de mariposa no funciona. D. El control no funciona.	A. Desconecte las mangueras de los jets para el cuello y elimine la obstrucción.  B. Revise que los cables estén correctamente conectados. Cambie el arnés de cableado de ser necesario. C. Cambie la válvula de mariposa. D. Cambie el control.
17. El agua fluye de los jets para el cuello, pero éstos no pulsan.	A. El arnés de cableado entre la caja de pulsación de los jets para el cuello y el control está suelto, desconectado o dañado. B. La caja de pulsación no funciona. C. El control no funciona.	A. Revise que los cables estén correctamente conectados. Cambie el arnés de cableado de ser necesario. B. Cambie la válvula de mariposa. C. Cambie el control.

## Guía para resolver problemas del sistema de jets para la espalda

Síntomas	Causas probables	Acción recomendada
18. Los jets para la espalda no funcionan.	A. La bomba de la bañera de hidromasaje no funciona. B. La válvula de mariposa de los jets para la espalda no se abre.  C. No hay suficiente agua en la bañera de hidromasaje. D. El teclado del usuario no funciona. E. No hay alimentación eléctrica del motor de la bomba al control. F. La tubería de los jets para la espalda está obstruida.	A. Encienda la bomba.  B. Verifique que no haya conexiones o cables sueltos desde la caja de pulsación de los jets para la espalda hasta el control. Cambie el control o la caja de pulsación de los jets para la espalda de ser necesario. C. Llene la bañera de hidromasaje de forma que los sensores de nivel de agua queden cubiertos. D. Cambie el teclado del usuario. E. Revise si hay conexiones o cables sueltos del motor de la bomba al control. F. Elimine la obstrucción.

<b>Resolución de problemas (cont.)</b>		
<b>Síntomas</b>	<b>Causas probables</b>	<b>Acción recomendada</b>
	<b>G.</b> El cable que conecta el interruptor al control está desconectado.	<b>G.</b> Vuelva a conectar o cambie los cables del interruptor que emplean un enchufe modular.
<b>19.</b> Los jets para la espalda no pulsán.	<b>A.</b> La caja de pulsación no funciona.	<b>A.</b> Verifique que no haya conexiones o cables sueltos de la caja de pulsación al control. Reemplace la caja de pulsación o el control de ser necesario.

#### **Guía para resolver problemas de los jets efervescentes**

<b>Síntomas</b>	<b>Causas probables</b>	<b>Acción recomendada</b>
<b>20.</b> Los puertos efervescentes no funcionan.	<b>A.</b> La bomba de la bañera de hidromasaje no funciona. <b>B.</b> La válvula de mariposa no funciona. <b>C.</b> La bomba no funciona. <b>D.</b> El control no funciona.	<b>A.</b> Encienda la bomba. <b>B.</b> Cambie la válvula de mariposa. <b>C.</b> Para resolver problemas del sistema, consulte el Manual de servicio. <b>D.</b> Cambie el control.
<b>21.</b> Los puertos efervescentes no burbujan.	<b>A.</b> La entrada de aire en la línea de succión está obstruida. <b>B.</b> El flujo de agua es demasiado bajo.	<b>A.</b> Elimine la obstrucción. <b>B.</b> Aumente el flujo de agua.

#### **Guía para resolver problemas de las luces de cromoterapia**

<b>Síntomas</b>	<b>Causas probables</b>	<b>Acción recomendada</b>
<b>22.</b> Las luces de cromoterapia no funcionan.	<b>A.</b> Hay cables o conexiones sueltos, desconectados o dañados. <b>B.</b> El control no funciona.	<b>A.</b> Revise que los cables estén correctamente conectados. Reemplace los cables de ser necesario. <b>B.</b> Cambie el control.

## **Garantía**

### **GARANTÍA LIMITADA DE UN AÑO**

Se garantizan los productos de plomería KOHLER contra defectos de material y mano de obra durante un año a partir de la fecha de instalación.

Kohler Co., a su criterio, reparará, reemplazará o realizará los ajustes pertinentes en los casos en que la inspección realizada por Kohler Co. determine que dichos defectos hayan ocurrido durante el uso normal en el transcurso de un (1) año a partir de la fecha de instalación. Kohler Co. no se hace responsable de costos de desinstalación o de instalación. **El uso de limpiadores de inodoro que se colocan dentro del tanque anula la garantía.**

Para obtener el servicio de garantía, comuníquese con Kohler Co. a través de su distribuidor, contratista de plomería, centro de remodelación o distribuidor por Internet, o escriba a Kohler Co., Atención: Customer Care Center, 444 Highland Drive, Kohler, WI 53044, EE.UU., o llame al 1-800-4-KOHLER (1-800-456-4537) desde los EE.UU. y Canadá, o al 001-800-456-4537 desde México, o visite [www.kohler.com](http://www.kohler.com) desde los EE.UU., [www.ca.kohler.com](http://www.ca.kohler.com) desde Canadá, o [www.mx.kohler.com](http://www.mx.kohler.com) en México.

**TODA GARANTÍA IMPLÍCITA, INCLUIDA LA DE COMERCIALIZACIÓN E IDONEIDAD DEL PRODUCTO PARA UN USO DETERMINADO, SE LIMITA EXPRESAMENTE A LA DURACIÓN DE ESTA GARANTÍA. KOHLER CO. Y/O EL VENDEDOR DESCARGAN TODA RESPONSABILIDAD POR CONCEPTO DE DAÑOS PARTICULARES, INCIDENTALES O INDIRECTOS.** Algunos estados/provincias no permiten limitaciones en cuanto a la duración de una garantía implícita o a la

## **Garantía (cont.)**

exclusión o limitación de daños particulares, incidentales o indirectos, por lo que es posible que estas limitaciones y exclusiones no se apliquen a su caso. Esta garantía le otorga ciertos derechos legales específicos. Además, usted también puede tener otros derechos que varían de estado a estado y de provincia a provincia.

**Esta es la garantía exclusiva por escrito de Kohler Co.**

## **Garantía**

### **Para México**

KOHLER CO.

Se recomienda que al momento de la compra, se verifique que todos los accesorios y componentes estén completos en esta caja.

Se garantiza este producto Kohler contra defectos en material y mano de obra durante un (1) año a partir de la fecha de compra que aparezca en la factura o en el recibo.

1. Kohler Co. prestará servicio únicamente a los productos comercializados a través de sus distribuidores autorizados.
2. Para obtener el servicio de garantía, favor de presentar la factura de compra y la garantía correspondiente.
3. Kohler Co., a través de sus distribuidores autorizados, se compromete a reparar el producto defectuoso o, cuando la reparación no sea posible, reemplazarlo por uno nuevo o por un modelo equivalente (en caso de que el producto haya sido discontinuado) sin ningún cargo al consumidor.
4. El tiempo de reparación no excederá seis (6) semanas a partir de la fecha de recepción del producto.
5. Se recomienda al consumidor que conserve el recibo o la factura de compra como protección adicional, pues el mismo puede sustituir a la garantía en caso de que exista discrepancia en cuanto a la validez de la misma.

### **EXCEPCIONES Y RESTRICCIONES**

La garantía no tendrá validez en los siguientes casos:

1. Cuando el producto no se utilice conforme a las instrucciones de uso y funcionamiento que se incluyen en el manual del usuario o en las instrucciones de instalación, y cuando no observen las recomendaciones y las advertencias provistas.
2. Cuando el producto se haya modificado o desmantelado parcial o totalmente, o manipulado de manera negligente y, como consecuencia, haya sufrido daños atribuibles al consumidor, a personas o a herrajes no autorizados por Kohler Co.
3. Esta garantía no cubre los daños que resulten de desastres naturales, tales como incendios o casos de fuerza mayor, como inundaciones, terremotos, tormentas eléctricas, etc. Para obtener una lista de distribuidores cerca de usted y así hacer valer sus derechos bajo esta garantía, llame al 001-800-456-4537.

KOHLER CO., KOHLER, WI 53044 U.S.A.

### **IMPORTADOR:**

INTERNACIONAL DE CERÁMICA, S.A.B. DE C.V.

AV. CARLOS PACHECO NO. 7200

CHIHUAHUA, CHIH., MÉXICO C.P. 31060

TEL: 52 (14) 29-11-11







USA/Canada: 1-800-4KOHLER

México: 001-800-456-4537

[kohler.com](http://kohler.com)

THE BOLD LOOK  
OF **KOHLER**®

©2016 Kohler Co.

1194657-2-B