

KALLISTA® For Town Air-Induction Rain Showerhead

FEATURES

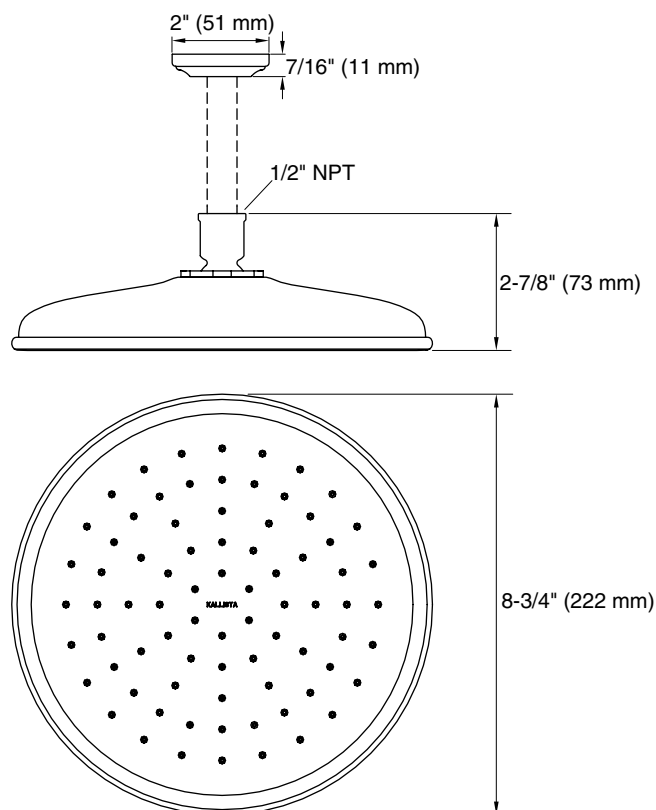
- Solid brass construction for durability and reliability
- Single-function Rain showerhead
- Air-induced Spray Technology
- Optimized sprayface for maximum performance
- 1.75 gal/min (6.6 l/min) or 2.5 gal/min (9.5 l/min) flow rate
- 1/2" NPT connection
- Complements the For Town collection

CODES/STANDARDS APPLICABLE

Specified model meets or exceeds the following:

- ASME A112.18.1/CSA B125.1
- Energy Policy Act of 1992

P21540



SPECIFIED MODEL

Model	Description	Finishes	
P21540-G	For Town Rain Showerhead 1.75 gal/min (6.6 l/min)	<input type="checkbox"/> CP Polished Chrome	<input type="checkbox"/> AD Nickel Silver
P21540-00	For Town Rain Showerhead 2.5 gal/min (9.5 l/min)	<input type="checkbox"/> CP Polished Chrome	<input type="checkbox"/> AD Nickel Silver
Required Arm Options			
P21520-00	3" Ceiling-mount shower arm	<input type="checkbox"/> CP Polished Chrome	<input type="checkbox"/> AD Nickel Silver
P21521-00	6" Ceiling-mount shower arm	<input type="checkbox"/> CP Polished Chrome	<input type="checkbox"/> AD Nickel Silver
P21522-00	12" Ceiling-mount shower arm	<input type="checkbox"/> CP Polished Chrome	<input type="checkbox"/> AD Nickel Silver
P21523-00	Wall-mount shower arm	<input type="checkbox"/> CP Polished Chrome	<input type="checkbox"/> AD Nickel Silver
P21441-00	For Town Rain Showerhead Arm	<input type="checkbox"/> CP Polished Chrome	<input type="checkbox"/> AD Nickel Silver

We reserve the right to make revisions without notice in the design of products or in packaging unless this right has specifically been waived at the time the order is accepted.