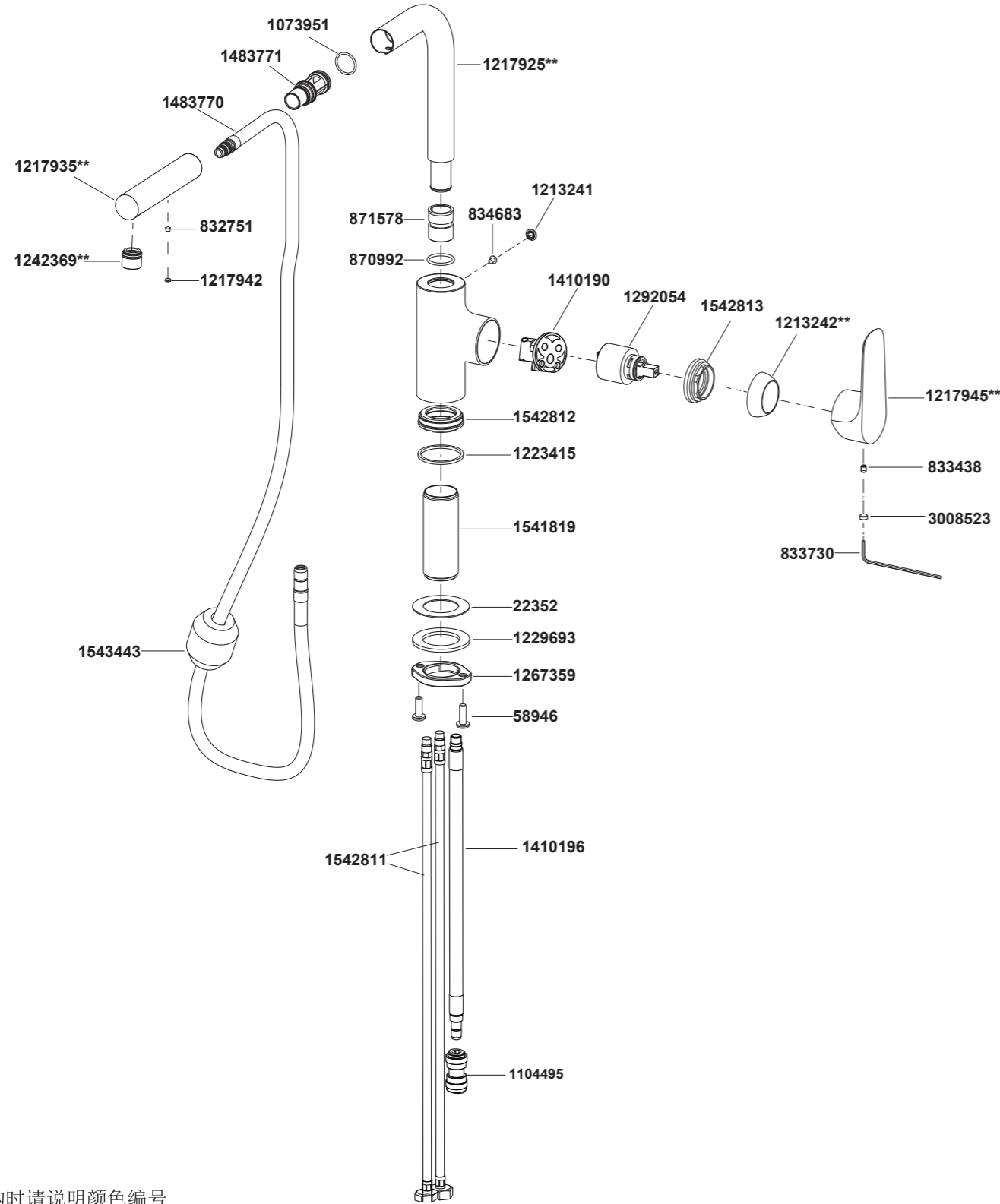


99175T-4 外抽拉厨房龙头



**订购时请说明颜色编号
**Color code must be specified when ordering

99175T-4 外抽拉厨房龙头

安装之前

所有的资料是按最新出版的产品资料编写而成。科勒公司保留任何时候不经通知即可改变产品特性、包装或产品可供类型的权利。

说明书包括重要的安装、保养及清洁方面的内容，请把这些资料交给用户阅读。

注意事项：

1. 一定要先彻底冲洗供水管以清除管道中的杂质。
2. 如果是安装新的洗涤盆，可将水龙头先装到洗涤盆上。
3. 花洒最高工作压力：0.5MPa(5bar)。水压超过0.5MPa(5bar)时必须安装减压阀。花洒最高工作温度及环境温度：60°C。请特别注意花洒同花洒连接的臂管须远离浴霸，否则可能损坏花洒及其密封件，甚至对使用者造成伤害。

BEFORE YOU BEGIN

All information is based on the latest product information available at the time of publication. Kohler Co. reserves the right to make changes in product characteristics, packaging, or availability at any time without notice.

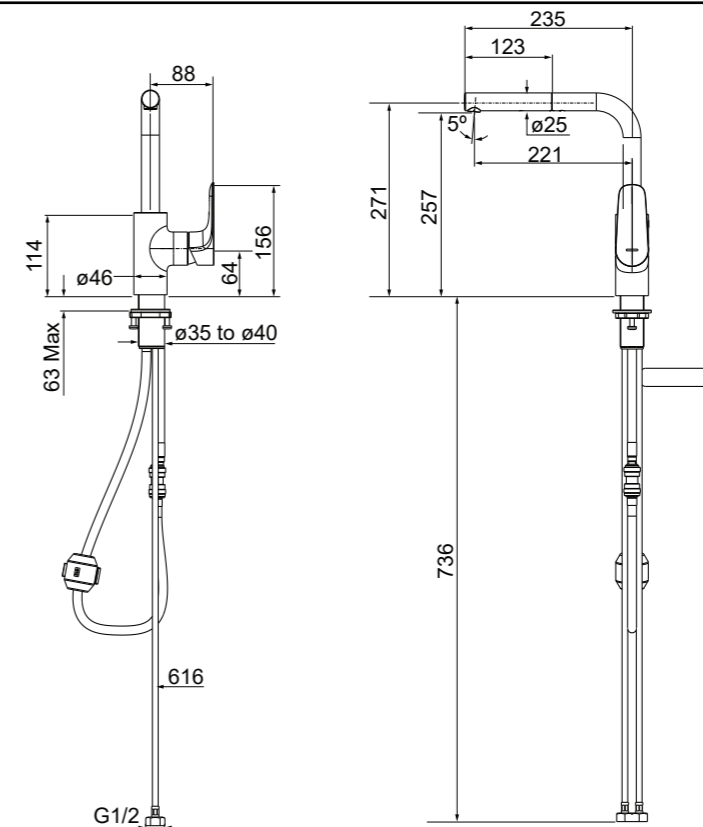
These instructions contain important information - leave these instructions for the consumer.

NOTES:

1. Flush the water supply pipes thoroughly to remove debris.
2. For new installations, assemble the faucet to sink before installing.
3. The highest working pressure for spray is 0.5 MPa (5 bar). If it exceeds 0.5 MPa (5 bar), a pressure reducer is needed. The highest water and environment temperature is 60°C. Keep the spray away from the heater, else the spray may become damaged and cause injury to the user.

安装尺寸

ROUGH-IN (in mm)



99175T-4

安装步骤

首先，将垫片（1）穿过牙管（3）嵌入水龙头本体（2）底部的槽中。将本体组件装入洗涤盆的安装孔中。使龙头本体的底部接触台面。

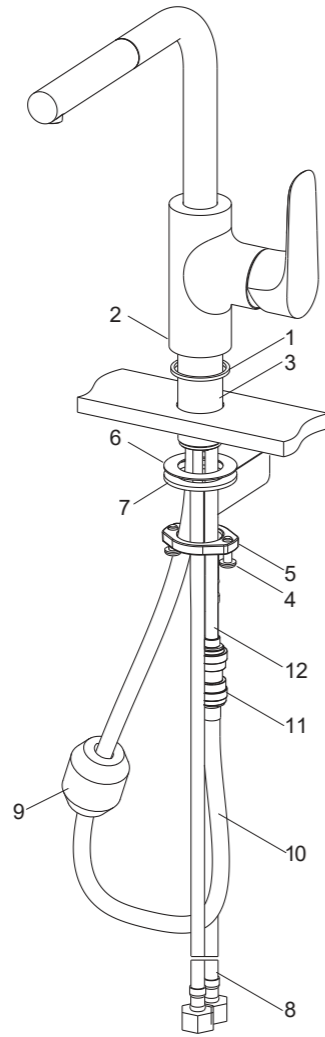
将两个螺钉（4）旋入固定环（5）。从洗涤盆下方依次把垫片（6）金属垫片（7）及装有两个螺钉的固定环装到牙管上，并用手旋紧。调整水龙头的位置，使得把手向右。锁紧两螺钉，将龙头固定在洗涤盆上。

将进水软管（8）连接到冷热水源上。贴有“COLD”标签的软管与冷水源连接。

将重锤（9）装到软管组件（10）上。通过转接头（11）连接软管组件（10）与出水软管（12）。移动重锤将其固定在合适的位置。

注意：不要过分扭曲软管。

试着抽出花洒，检查花洒是否可以顺利回归原位。如果不可以，重新调整重锤的位置。



INSTALLATION

Slide the washer (1) into the groove of the body (2) through the shank (3). Insert the faucet body kit into the mounting hole of the sink. Let the bottom of the body rest against the deck.

Insert the two screws (4) into the threaded ring (5). From the underside of the sink, place and tighten the washer (6), the metal washer (7) and the threaded ring (5) with two screws onto the shank. Position the faucet such that the handle is on the right side. Tighten the two screws to secure the faucet to the sink.

Attach the hoses (8) to the water supplies. The hose with the "COLD" label is for cold water.

Attach the weight (9) onto the hose assembly (10). Connect the hose assembly (10) to the outlet hose (12) with the connector (11). Adjust the position of the weight.

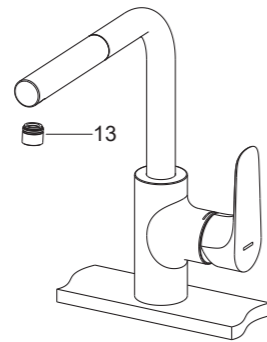
Note: Do not over distort the hoses.

Try to pull out the spray. Check whether the spray will go back to the original position smoothly or not. If not, position the weight again.

安装结果检查

检查并确保所有衔接处都已拧紧，确保手柄在关的位置。打开主水源和排水系统，检查并修理有漏水的接口。

将起泡器（13）取下。打开龙头，让水流约一分钟以清除杂质。冲洗起泡器。关闭水龙头，重新装回起泡器。



INSTALLATION CHECKOUT

Ensure that all the coupling nuts are tight. Ensure that the lever handle is in the off position. Turn on the main water supply and drain, and check for leaks. Repair as needed.

Remove the aerator (13). Turn on the faucet and run hot and cold water for about one minute to remove any debris. Remove any debris from the aerator. Shut off the faucet. Reinstall the aerator.

使用说明

轻轻打开手柄，顺时针旋转把手为冷水，逆时针旋转把手为热水。

清洗说明

适用于所有加工处理过的表面：以中性肥皂水清洗镀层表面，再以干净的软布彻底擦干整个表面，许多清洁剂，比如氨水、去污粉及洁厕灵等，会对电镀表面造成伤害，切忌使用。

有磨损性的清洁用具或清洁剂也不可适用于科勒牌的水龙头及其配件上。

HANDLE OPERATION

Open the handle gently. Turn the handle clockwise for cold water and counterclockwise for hot water.

CLEANING INSTRUCTIONS

All Finishes: Clean the finish with mild soap and warm water. Wipe the entire surface completely dry with a clean soft cloth. Many cleaners may contain chemicals, such as ammonia, chlorine, toilet cleaner etc. that could adversely affect the finish and are not recommended for cleaning.

Do not use abrasive cleaners or solvents on Kohler faucets and fittings.

龙头本体背面标有“LEAD FREE”字样，即产品符合美国AB1953法令的要求。

"LEAD FREE" is marked on the back of the faucet signifying its compliance with the United States AB1953.