

Installation and Care Guide

System Controller for DTV+

K-99695, K-99695-E

Save These Instructions
Conserver ces instructions
Guarde estas instrucciones

Français, page "Français-1"
Español, página "Español-1"

THE BOLD LOOK
OF **KOHLER**®

IMPORTANT INSTRUCTIONS

READ AND SAVE FOR THE CONSUMER



WARNING: When using electrical products, basic precautions should always be followed, including the following:



WARNING: Risk of electric shock. Grounding is required. The unit should be installed and grounded by a qualified service representative.



WARNING: Risk of electric shock. A qualified electrician should route all electrical wiring.



WARNING: Risk of electric shock. Disconnect power before servicing.



DANGER: Risk of injury or property damage. If the power cord gets damaged, it must be replaced by the manufacturer, its authorized service agent or qualified personnel to avoid danger.



WARNING: Risk of injury. This device is not intended for use by persons (including children) with different or reduced physical, sensory, or mental abilities, or who lack experience or knowledge, unless they are under the supervision of or receive training for the use of the device by a person responsible for their safety. Children should be supervised to ensure that they do not use this device as a toy.



WARNING: Risk of injury or property damage. Please read all instructions thoroughly before beginning installation.

NOTICE: Follow all plumbing, electrical, and building codes.

NOTICE: Some electrical codes require a circuit protected by a Ground-Fault Circuit-Interrupter (GFCI)*.

NOTICE: Provide unrestricted service access to the controller.

*Outside North America, this device may be known as a Residual Current Device (RCD).

Before Operating the System For the First Time:

Download and install the latest software for connected components. This may take an hour or more to complete based on system configuration and internet connection speed. **Do not disconnect the power from any components during software download and installation.**

Compliance

FCC Interference Statement

This device complies with Part 15 of the FCC Rules. Operation is subject to the following two conditions:

1. This device may not cause harmful interference, and
2. This device must accept any interference received, including interference that may cause undesired operation.

Changes or modifications not expressly approved by the party responsible for compliance could void the user's authority to operate the equipment.

This equipment has been tested and found to comply with the limits for a Class B digital device, pursuant to Part 15 of the FCC Rules. These limits are designed to provide reasonable protection against harmful interference in a residential installation. This equipment generates, uses, and can radiate radio frequency energy and, if not installed and used in accordance with the instructions, may cause harmful interference to radio communications. However, there is no guarantee that interference will not occur in a particular installation. If this equipment does cause harmful interference to radio or television reception, which can be determined by turning the equipment off and on, the user is encouraged to try to correct the interference by one or more of the following measures:

- Reorient or relocate the receiving antenna.

Compliance (cont.)

- Increase the separation between the equipment and receiver.
- Connect the equipment into an outlet on a circuit different from that to which the receiver is connected.
- Consult the dealer or an experienced radio/TV technician for help.

Industry Canada Statement

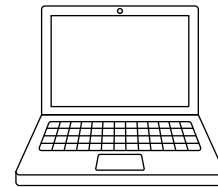
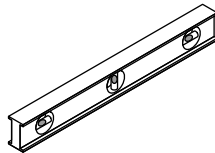
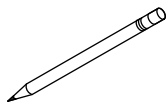
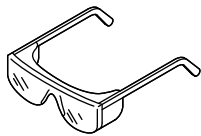
This device complies with Industry Canada licence-exempt RSS standard(s). Operation is subject to the following two conditions:

1. This device may not cause interference, and
2. This device must accept any interference, including interference that may cause undesired operation of the device.

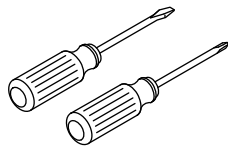
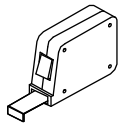
Specifications

Ambient Temperature	Max 104°F (40°C)
Maximum Relative Humidity	90% non-condensing
Electrical Rating	100-240 VAC, 50-60 Hz, 0.6-0.4 A
Ethernet Cable Length	25' (7.6 m)

Tools and Materials



Computer or Tablet



- Plus:**
- Router
 - Internet Service

Before You Begin

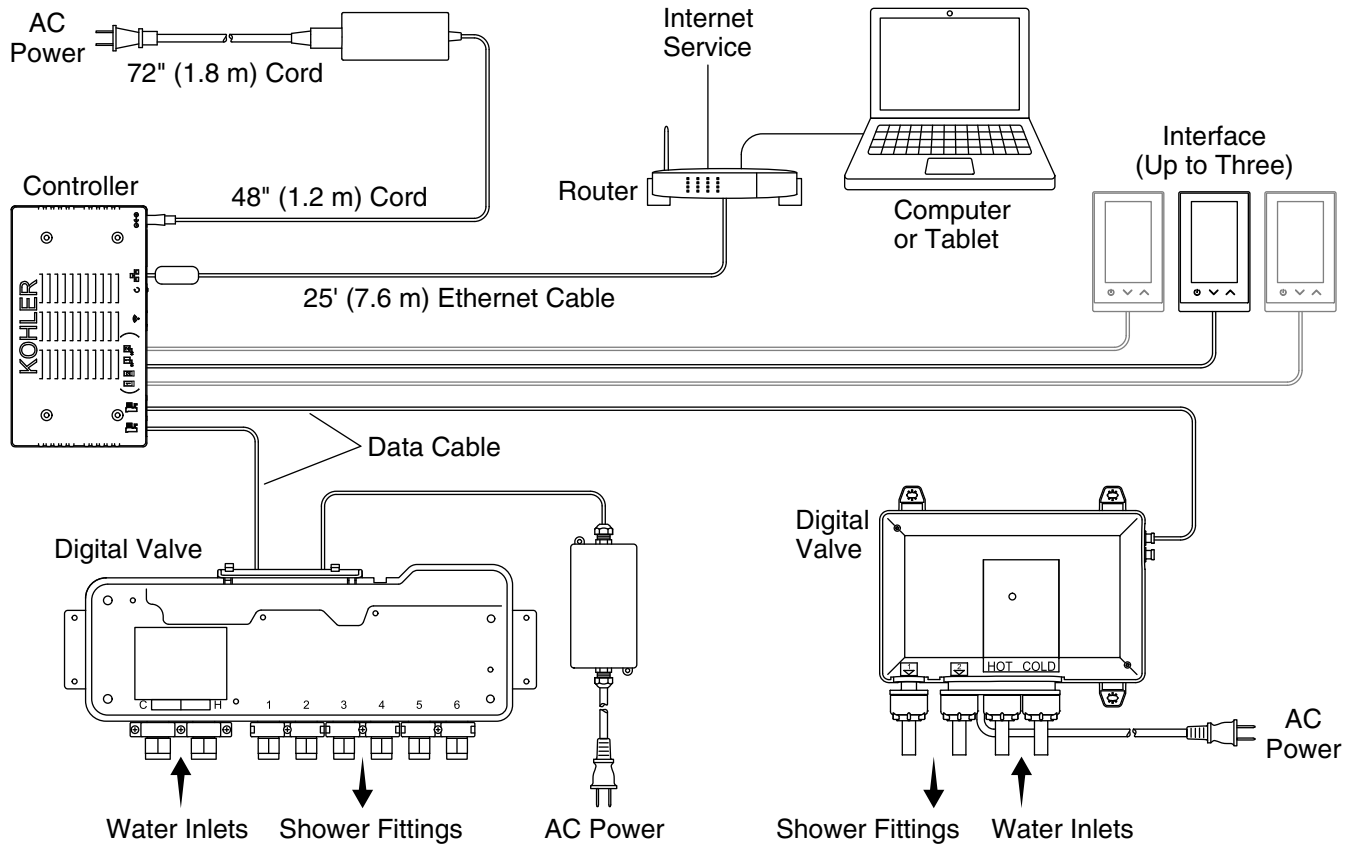
IMPORTANT! To access the controller Web pages for system setup, the controller and a computer or tablet must be connected to the same router.

NOTE: Internet access is required for downloading the latest software for system components.

- Read these instructions and determine all components and installation locations before beginning installation. For shower configuration options, refer to the guide on the product page at www.us.kohler.com.
- The controller comes equipped with rubber feet for placement on a shelf or countertop.

Before You Begin (cont.)

- The controller can be mounted vertically or horizontally and is designed to fit within a 2x4 stud cavity.
- If mounting within a stud cavity, an access panel must be provided for servicing. The cavity must be free of insulation.
- A qualified electrician should install a 120 V electrical outlet, within the stud framing, in close proximity to the controller. A GFCI outlet may be required in certain applications.
- If possible, install the electrical outlet prior to installing the controller.
- An Ethernet cable is provided to connect the controller to a router. If the router is not within 25' (7.6 m) of the controller, obtain a longer Ethernet cable or add an extension cable.
- This product complies with UL, CSA, FCC, and IC.



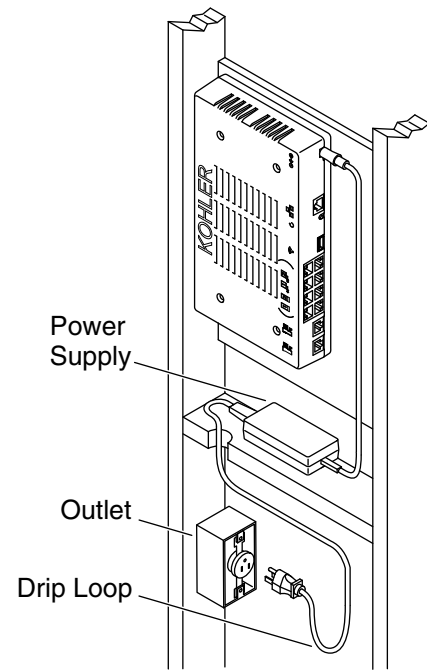
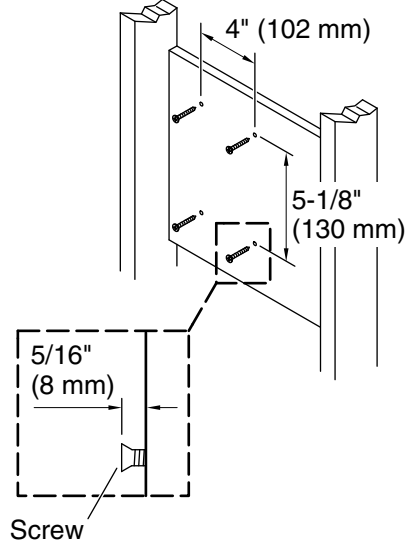
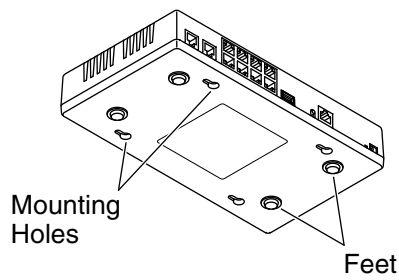
System Layout

The system controller powers the interface(s) and controls system components such as digital mixing valve(s).

- Your system can be set up to use three interfaces. One interface, installed inside the shower, is required.
- Determine the locations of all components, including shower accessories. For pre-programmed shower configurations, refer to the guide on the product page at www.us.kohler.com.
- Refer to the installation guides packed with each product for specific installation needs.

Before Operating the System For the First Time:

Download and install the latest software for connected components. This may take an hour or more to complete based on system configuration and internet connection speed. **Do not disconnect the power from any components during software download and installation.**



1. Install the Controller

CAUTION: Risk of product damage. The controller is rated to operate in temperatures up to 104°F (40°C). Do not install near heat sources (such as radiators or under whirlpool surrounds) or in any location where the temperature may exceed 104°F (40°C).

IMPORTANT! The controller must be placed in a dry area, separate from any digital valve location.

NOTE: The controller comes equipped with rubber feet for placement on a shelf, or it can be installed to a vertical surface using the mounting holes.

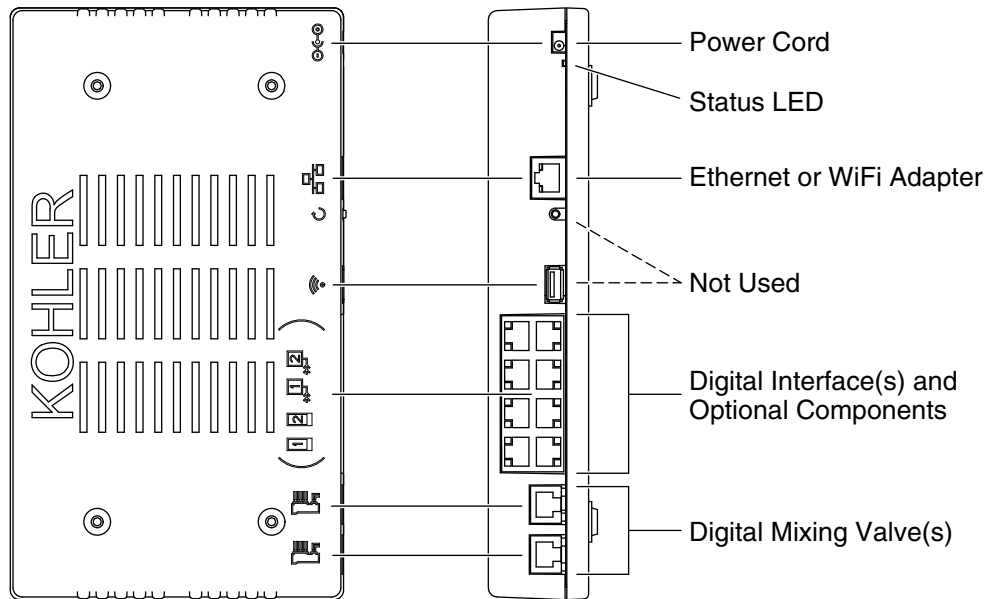
- The controller is designed to fit within a 2x4 stud cavity. The cavity must be free of insulation.
- If mounting within a stud cavity, an access panel must be provided for servicing.

Installation In a Stud Cavity

- Install a vertical surface between the studs.
- Install four drywall screws according to the dimensions above. The screws should protrude 5/16" (8 mm).
- Install a 120 V electrical outlet within the stud framing, in close proximity to the controller. A GFCI outlet may be required in certain applications.

NOTE: The power supply should be placed on a horizontal surface. **Do not secure the power supply to any surface.**

- Install a horizontal board to accommodate the power supply. Ensure the cord can be routed to the electrical outlet without being pinched.
- Remove the rubber feet from the bottom of the controller.
- Hook the controller onto the protruding screws.
- Route the power supply from the controller to the electrical outlet.



2. Connect the Components

IMPORTANT! Make drip loops in all cables.

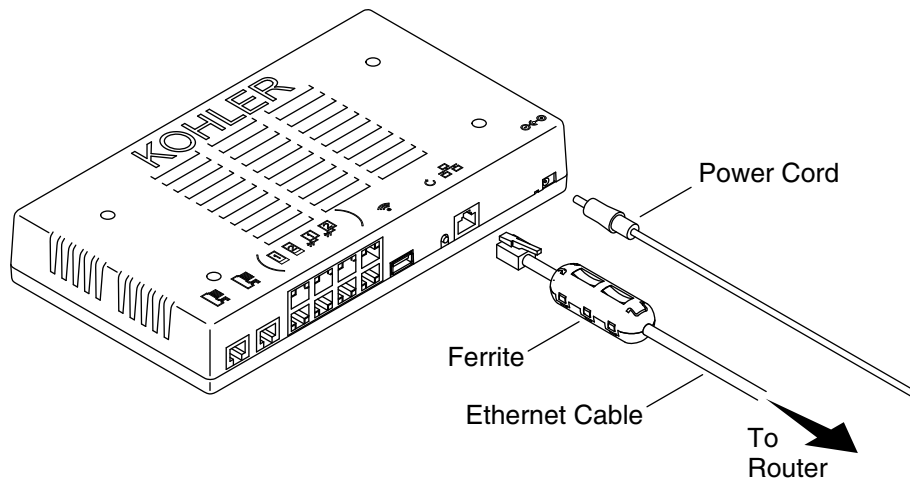
IMPORTANT! Disconnect the power from the controller before connecting the cables.

- If not already installed, install any digital interfaces, digital valves, and optional components for your system configuration.
- Route all component cables to the controller location.
- Gently press each connection into the proper port until it fully clicks in place.
- Connect the power supply to the controller. Verify that the digital interface(s) illuminate.

Before Operating the System For the First Time:

Download and install the latest software for connected components. This may take an hour or more to complete based on system configuration and internet connection speed. **Do not disconnect the power from any components during software download and installation.**

- Refer to the "Download/Install Software" section for download instructions.
- For recommended WiFi adapter options, contact the KOHLER Customer Care Center at 1-800-4KOHLER (1-800-456-4537).

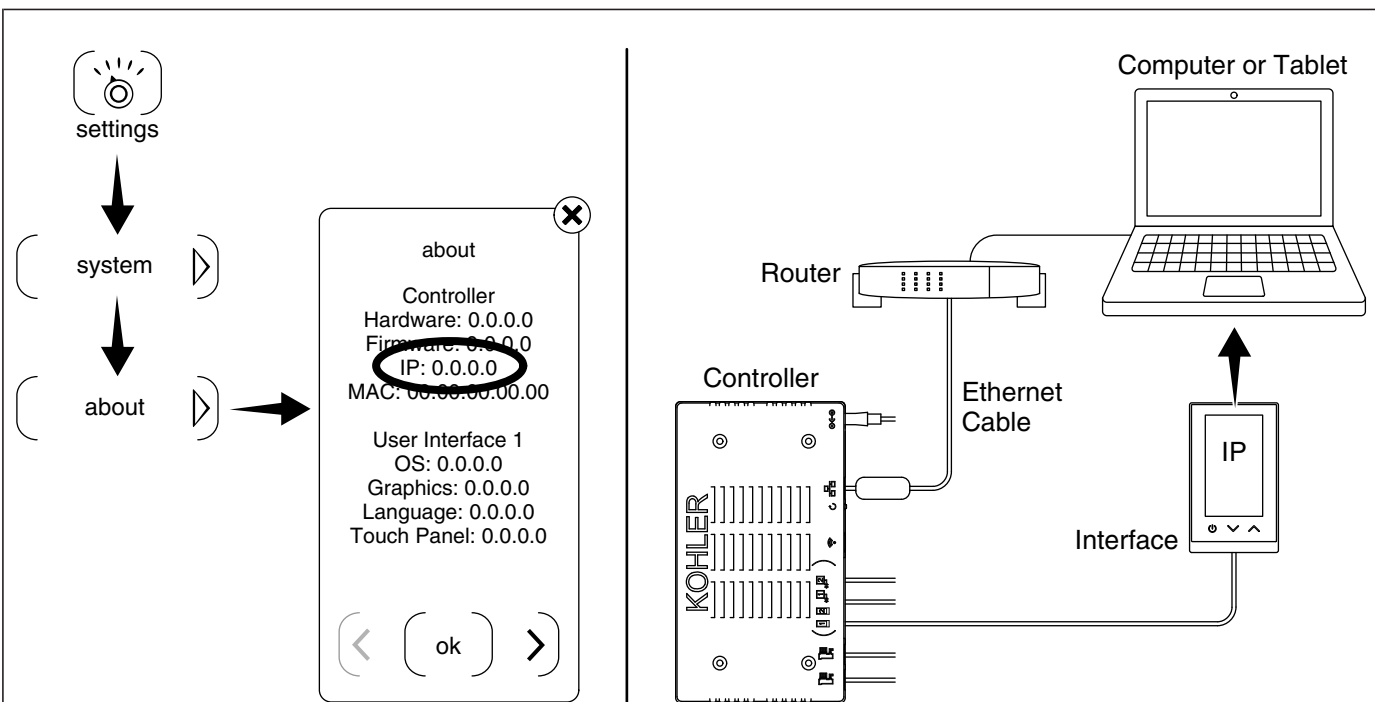


3. Download/Install Software

NOTICE: Software download and installation may take an hour or more to complete based on system configuration and internet connection speed. **Do not disconnect the power from any components during software download and installation.**

NOTE: Internet service is required to receive the latest updates for system components. The components must be connected to the controller prior to software download.

- Disconnect the power from the controller.
- Make sure all system components are connected to the controller.
- Attach the ferrite (provided) to the Ethernet cable, close to the end that will be connected to the controller.
- Connect the Ethernet cable from the controller to a router with active internet service.
- Reconnect the power supply to the controller. The controller will communicate with the router to receive an IP address.
- Upon receiving an IP address, the controller will check for software updates for any connected components, and will automatically download the updates. **Do not disconnect the power from any components during software download and installation.**



4. Initial System Setup

IMPORTANT! To access the controller Web pages for system setup, the controller and a computer or tablet must be connected to the same router.

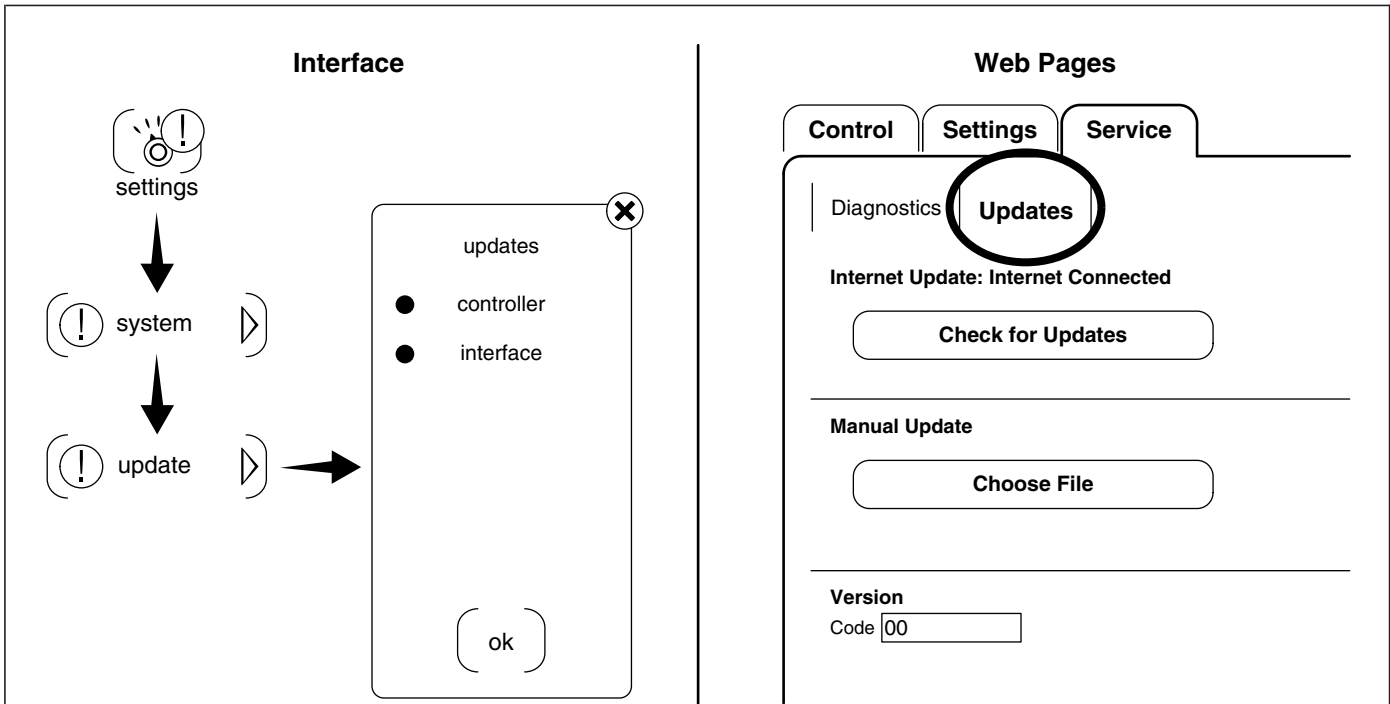
- System setup is configured using the controller Web pages.
- The controller IP address is obtained from the digital interface.

Obtain the IP Address

- From the [home] screen on the interface, touch the [settings] icon. If an access code is required, enter "1020."
- Select the [system] option, then [about].
- A pop-up window will display current software information for connected components.
- If a valid IP address is not displayed, refer to the "Download/Install Software" section for instructions on connecting to a router.
- Copy the IP address from the displayed information.

Connect to the Controller Web Pages

- Connect a computer or tablet to the same router as the controller.
- Open a browser window and enter the IP address into the search field.
- The controller Web pages will appear in the browser, providing access to configure system settings.



5. Software Updates

NOTE: The controller will check for software updates daily, and will automatically download the software. Software can also be updated manually from the controller Web pages.

From the Interface

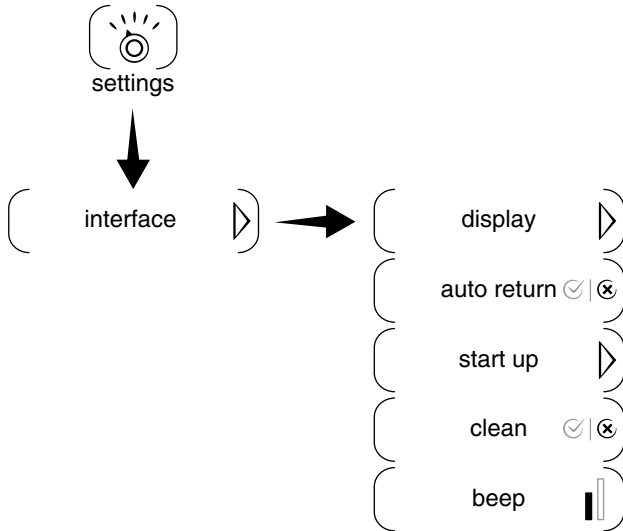
NOTE: If an update is available, the [settings] icon will display an exclamation point at the corner of the icon. Touch the icons that display the exclamation point to get to the [updates] screen.

- From the [home] screen, touch the [settings] icon.
- Go to [system], then to [update].
- A pop-up window will indicate if updates are available for any connected system components.

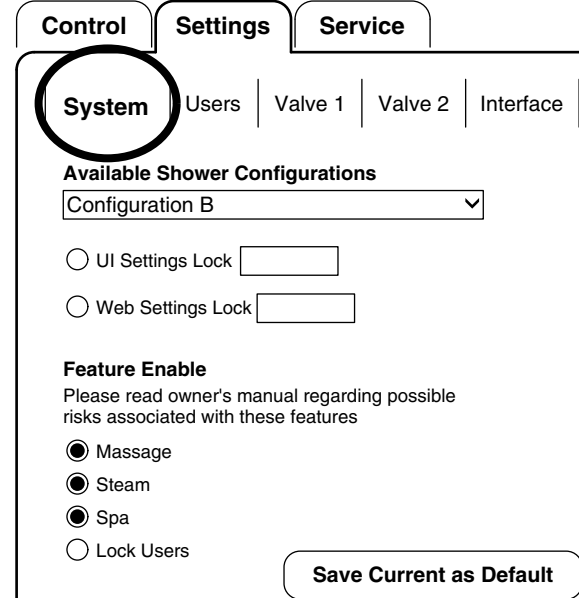
From the Web Pages

- On a computer or tablet connected to the same router as the controller, open a browser and enter the Web IP address. To obtain the IP address, refer to the "Initial System Setup" section.
- Click on the [Service] tab, then on [Updates].
- Click [Check for Updates] to download the latest software for any connected system components.
- If updates are available, the controller will automatically download the software.

Interface



Web Pages



6. Settings Overview

All system settings, such as valve setup, can be configured from the controller Web pages. Some settings can be configured from the interface.

From the Interface

- From the [home] screen, touch the [settings] icon.
- Go to [interface] to select general settings for the interface.
- For more information about using the interface and its menus, refer to the guide on the product page at www.us.kohler.com.

From the Web Pages

- On a computer or tablet connected to the same router as the controller, open a browser and enter the controller IP address. To obtain the IP address, refer to the "Initial System Setup" section.
- Click on the [Settings] tab, then on [System].
- Select the general settings for your system.
- User presets and additional interface settings can be configured from the Web pages. Click on the appropriate menu to access the options for those settings.
- For valve setup, refer to the "Valve Settings" section.

Control | **Settings** | **Service**

System | Users | Valve 1 | Valve 2

Available Shower Configurations
 Configuration B

UI Settings Lock

Web Settings Lock

Feature Enable
 Please read owner's manual regarding possible risks associated with these features

Message

Steam

Spa

Lock Users

Save Current as Default

Control | **Settings** | **Service**

System | Users | **Valve 1** | Valve 2 | Interface | Spa

Outlet 1

Default

Message

Auto Purge

Steam Deluge

Outlet 2

Default

Message

Auto Purge

Steam Deluge

Temperature

Default Temperature

Max Temperature

Cold Water

Auto Purge

Max Run Time

Custom Message Order 1

Custom Message Order 2

Swap Valves 1 and 2

7. Valve Settings

NOTICE TO INSTALLER:



WARNING: Risk of personal injury. Safety precautions must be followed when using shower features such as [Massage] and [Spa]. Before enabling, ensure the homeowner has read the associated risks listed in the guides for these features.

IMPORTANT! To ease setup for a multiple valve system, valve 1 (zone 1) should be connected to the system controller before valve 2 (zone 2). If valve 1 does not appear on the controller Web page before connecting the second valve to the controller, swap the valves according to the instructions found on the product page at www.us.kohler.com.

Pre-Programmed Shower Configurations

NOTE: Pre-programmed shower configurations are outlined in the guide found on the product page at www.us.kohler.com.

- If components are installed for pre-programmed shower configurations, the components can be automatically populated on the Web pages.
- Shower configurations are available based on the number of valves connected to the controller.
- To populate pre-programmed configurations, select the appropriate dropdown option in the [Available Shower Configurations] field. The shower components will appear in the outlet options on the valve menu.
- To enable shower features, such as [Massage], go to the [Settings] tab, then click on [System]. **Safety instructions for each feature must be read by the homeowner before it is enabled. Refer to the guide for each feature.**

Custom Shower Configurations

NOTE: Custom shower components will need to be selected manually on the Web page valve menus.

NOTE: The spa feature is not available on custom configurations.

- To check or configure valve settings, go to the [Settings] tab, then click on [Valve 1].

Valve Settings (cont.)

- Select the settings for each shower outlet for your system configuration.
- If applicable, click on [Valve 2] to select the outlets for the second valve.

Complete the Installation

- Once components have been configured, test for functionality. Verify that each component is operating as intended.
- For troubleshooting information for each system component, refer to the guide on the product page at www.us.kohler.com.

Troubleshooting

IMPORTANT! Turn off the power before performing any maintenance.

NOTE: For service parts information, visit your product page at www.kohler.com/serviceparts.

This troubleshooting guide is for general aid only. For service and installation issues or concerns, call 1-800-4KOHLER.

Controller Troubleshooting Table

Symptoms	Probable Cause	Recommended Action
1. System stops working and the status LED is solid red.	A. System failure.	A. Reboot the controller by disconnecting the AC power from the wall outlet. If the status LED remains a solid red after reboot, replace the controller.
2. System stops working and the Status LED is OFF.	A. Power supply failure. B. Incorrect wiring of the AC power supply.	A. Reboot the controller by disconnecting the AC power from the wall outlet. If there is no change after reboot, replace the power supply. B. Verify that the controller was installed per the installation manual. Make sure AC power is present at the outlet the controller is plugged into.
3. Components are sometimes not on the menu, even though they are connected to the controller.	A. Damaged cables or incorrect cable installation. B. Power fluctuation. C. The device is not installed correctly.	A. Check all wiring connections. B. Verify that the devices are connected to a stable power supply. C. See peripheral device owners manual.

Interface Troubleshooting Table

Symptoms	Probable Cause	Recommended Action
1. Interface is not lit.	A. Controller is not plugged into the electrical outlet. B. Interface cable connections may be loose or disconnected. C. Circuit breaker has been tripped. D. The controller may require resetting.	A. Plug the controller into an electrical outlet. B. Check all interface cable connections. C. Reset the circuit breaker. D. Disconnect and reconnect the controller power supply from the electrical outlet.

Troubleshooting (cont.)

Interface Troubleshooting Table

Symptoms	Probable Cause	Recommended Action
	<p>E. A "cross-over" cable or coupler was used to connect the interface to the controller.</p> <p>F. If none of the recommended actions for the above issues correct the symptom, the interface or controller requires servicing.</p>	<p>E. Connect the interface to the controller using a "straight-through" cable or coupler.</p> <p>F. Contact your Kohler Co. Authorized Service Representative.</p>
<p>2. The interface power indicator is lit, but the system will not turn on.</p>	<p>A. Interface cable connections may be loose.</p> <p>B. The interface cable or coupler is damaged.</p> <p>C. If the above recommended action does not correct the symptom, the interface or controller requires servicing.</p>	<p>A. Check all interface cable connections.</p> <p>B. Replace the cable or coupler.</p> <p>C. Contact your Kohler Co. Authorized Service Representative.</p>

Warranty

KOHLER® Electronic Faucets, Valves and Controls FIVE-YEAR LIMITED WARRANTY

Kohler Co. warrants that its electronic faucets, valves and controls will be free of defects in material and workmanship during normal residential use for five years from the date the product is installed. This warranty applies only to electronic faucets, valves and controls installed in the United States of America, Canada and Mexico ("North America").

If a defect is found in normal residential use, Kohler Co. will, at its election, repair, provide a replacement part or product, or make appropriate adjustment where Kohler Co.'s inspection discloses any such defect. Damage caused by accident, misuse, or abuse is not covered by this warranty. Improper care and cleaning will void the warranty*. Proof of purchase (original sales receipt) must be provided to Kohler Co. with all warranty claims. Kohler Co. is not responsible for labor charges, installation, or other incidental or consequential costs other than those noted above. In no event shall the liability of Kohler Co. exceed the purchase price of the faucet, valve or control.

If the electronic faucets, valves or controls are used commercially or are installed outside of North America, Kohler Co. warrants that the faucet, valve or control will be free from defects in material and workmanship for one (1) year from the date the product is installed, with all other terms of this warranty applying except duration.

If you believe that you have a warranty claim, contact your Home Center, Dealer, Plumbing Contractor or E-tailer. Please be sure to provide all pertinent information regarding your claim, including a complete description of the problem, the product, model number, the date the product was purchased, from whom the product was purchased and the installation date. Also include your original invoice. For other information, or to obtain the name and address of the service and repair facility nearest you, write Kohler Co., Attn: Customer Care Center, Kohler, Wisconsin 53044 USA, or by calling 1-800-4-KOHLER (1-800-456-4537) from within the USA and Canada, and 001-800-456-4537 from within Mexico, or visit www.kohler.com within the USA, www.ca.kohler.com from within Canada, or www.mx.kohler.com in Mexico.

THE FOREGOING WARRANTIES ARE IN LIEU OF ALL OTHER WARRANTIES, EXPRESS OR IMPLIED, INCLUDING BUT NOT LIMITED TO THE IMPLIED WARRANTIES OF MERCHANTABILITY AND FITNESS FOR A PARTICULAR PURPOSE.

KOHLER CO. AND/OR SELLER DISCLAIM ANY LIABILITY FOR SPECIAL, INCIDENTAL OR CONSEQUENTIAL DAMAGES. Some states/provinces do not allow limitations on how long an implied warranty lasts or the exclusion or limitation of such damages, so these limitations and exclusions may not

Warranty (cont.)

apply to you. This warranty gives the consumer specific legal rights. You may also have other rights that vary from state/province to state/province. This warranty is to the original consumer purchaser only, and excludes product damage due to installation error, product abuse, or product misuse, whether performed by a contractor, service company, or the consumer.

This is Kohler Co.'s exclusive written warranty.

*Never use cleaners containing abrasive cleansers, ammonia, bleach, acids, waxes, alcohol, solvents or other products not recommended for chrome. This will void the warranty.

Guide d'installation et d'entretien

Module de commande de système pour DTV+

INSTRUCTIONS IMPORTANTES

LIRE ET CONVERSER POUR LE CONSOMMATEUR



AVERTISSEMENT: Lors de l'utilisation de produits électriques, toujours observer les précautions de base, notamment:



AVERTISSEMENT: Risque de choc électrique. Une mise à la terre est requise. L'appareil doit être installé et mis à la terre par un représentant technique qualifié.



AVERTISSEMENT: Risque de choc électrique. Tout le câblage électrique doit être réalisé par un électricien qualifié.



AVERTISSEMENT: Risque de choc électrique. Déconnecter l'alimentation électrique avant d'effectuer un entretien.



DANGER: Risque de blessures ou d'endommagement du matériel. Si le cordon d'alimentation est endommagé, il doit être remplacé par le fabricant, son représentant technique autorisé, ou un personnel qualifié afin d'éviter tout danger.



AVERTISSEMENT: Risque de blessures. Ce dispositif n'est pas prévu pour être utilisé par des personnes (y compris des enfants) ayant des capacités physiques, sensorielles ou mentales différentes ou réduites, ou qui manquent d'expérience ou de connaissances, sauf si elles sont sous la supervision d'une personne responsable pour leur sécurité ou si cette personne les éduque sur l'utilisation du dispositif. Les enfants doivent être supervisés afin d'assurer qu'ils n'utilisent pas ces dispositifs en tant que jouets.



AVERTISSEMENT: Risque de blessures ou d'endommagement du matériel. Lire toutes les instructions avec attention avant de commencer l'installation.

AVIS: Respecter tous les codes de plomberie, d'électricité et de construction.

AVIS: Certains codes électriques exigent un circuit protégé par un disjoncteur de fuite de terre (GFCI)*.

AVIS: Fournir un accès libre au module de commande.

* Hors de l'Amérique du Nord, ce dispositif peut être connu sous le nom de dispositif à courant résiduel (RCD).

Avant de faire fonctionner le système la première fois:

Télécharger et installer le dernier logiciel pour les composants connectés. Une heure ou plus peuvent être nécessaires en fonction de la configuration du système et de la vitesse de connexion Internet. **Ne pas déconnecter l'alimentation électrique des composants pendant le téléchargement et l'installation du logiciel.**

Conformité

Déclaration d'interférence FCC

Cet appareil est conforme à la section 15 des réglementations de la FCC. Le fonctionnement de l'appareil est soumis aux deux conditions suivantes:

Conformité (cont.)

1. Cet appareil ne doit pas provoquer d'interférences néfastes, et
2. Cet appareil doit tolérer les interférences reçues, y compris celles qui risquent de provoquer un fonctionnement indésirable.

Tous changements ou modifications non expressément approuvés par la partie responsable garantissant la conformité, pourraient annuler le droit à l'utilisateur d'opérer l'équipement.

Cet appareil a été testé et est considéré conforme aux limitations d'un appareil numérique de classe B, selon la section 15 des réglementations FCC. Ces limites sont conçues pour fournir une protection raisonnable contre toute interférence nuisible lors d'une installation résidentielle. Cet appareil génère, utilise et peut émettre une énergie de radiofréquence et, s'il n'est pas installé et utilisé conformément aux instructions, pourrait être la cause d'interférences nuisibles aux communications par radio. Cependant, il n'est pas garanti qu'aucune interférence n'aura lieu dans une installation particulière. Si cet appareil cause des interférences nuisibles à la réception radio ou télévision, ce qui peut être déterminé en éteignant l'appareil et en le rallumant, il est recommandé d'essayer de rectifier cette interférence en prenant l'une ou plusieurs des mesures suivantes:

- Réorienter ou changer l'emplacement de l'antenne de réception.
- Augmenter la séparation entre l'équipement et le récepteur.
- Brancher l'équipement sur une prise d'un circuit différent de celui auquel le récepteur est connecté.
- Consulter un revendeur ou un technicien radio/TV expérimenté pour obtenir de l'assistance.

Déclaration de Industry Canada

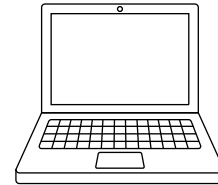
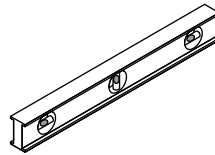
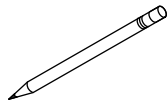
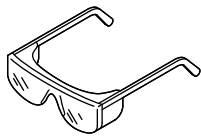
Le présent appareil est conforme aux CNR d'Industrie Canada applicables aux appareils radio exempts de licence. Le fonctionnement de l'appareil est soumis aux deux conditions suivantes:

1. L'appareil ne doit pas produire de brouillage, et
2. Cet appareil doit tolérer les interférences reçues, y compris celles qui risquent de provoquer un fonctionnement indésirable.

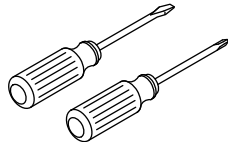
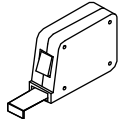
Spécifications

Température ambiante	Max 104°F (40°C)
Humidité relative maximale	90% sans condensation
Caractéristiques électrique	100-240 V c.a., 50-60 Hz, 0,6 à 0,4 A
Longueur de câble Ethernet	25' (7,6 m)

Outils et matériel



Ordinateur ou tablette



Plus:

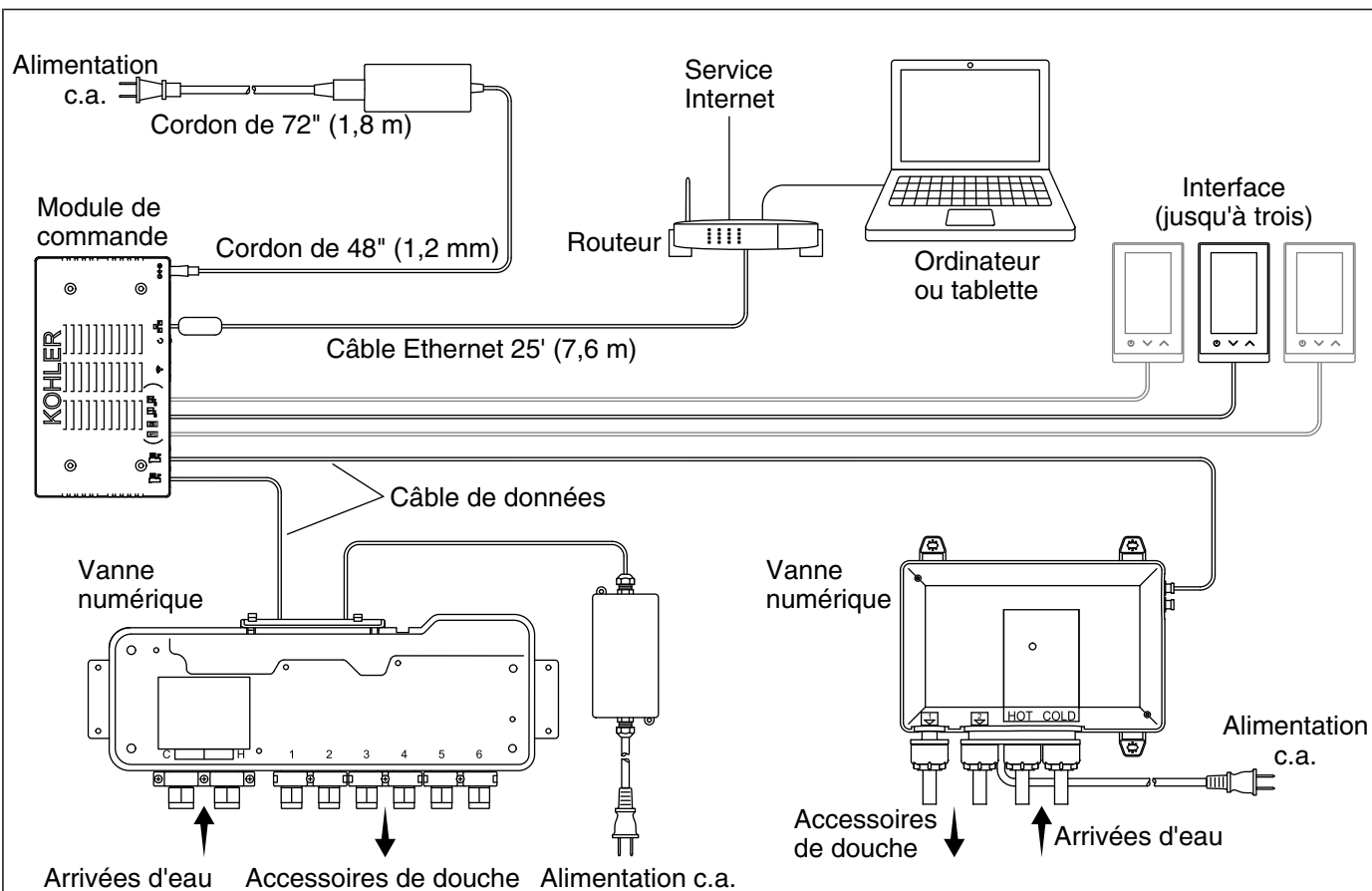
- Routeur
- Service Internet

Avant de commencer

IMPORTANT! Pour accéder aux pages Web du module de commande pour la configuration du système, le module de commande et un ordinateur ou une tablette doivent être connectés au même routeur.

REMARQUE: Un accès Internet est requis pour télécharger le dernier logiciel pour les composants du système.

- Lire ces instructions et déterminer tous les composants et les emplacements d'installation avant de commencer celle-ci. Pour les options de configuration de douches, consulter le guide, sur la page du produit à www.us.kohler.com.
- Le module de commande est équipé de pieds en caoutchouc pour pouvoir être placé sur une étagère ou un comptoir.
- Le module de commande peut être monté verticalement ou horizontalement et est conçu pour s'adapter dans une cavité de montants 2x4.
- S'il est monté dans une cavité de montants, il sera nécessaire de fournir un panneau d'accès pour l'entretien. La cavité ne doit pas comprendre de matériau isolant.
- Un électricien qualifié doit installer une prise électrique de 120 V, dans l'ossature, à proximité immédiate du module de commande. Une prise pour disjoncteur de fuite de terre (GFCI) pourrait être requise dans certaines applications.
- Si possible, installer la prise électrique avant d'installer le module de commande.
- Un câble Ethernet est fourni pour connecter le module de commande à un routeur. Si le routeur n'est pas compris dans un rayon de 25' (7,6 m) du module de commande, utiliser un câble Ethernet plus long ou ajouter un câble de rallonge.
- Ce produit est conforme aux normes UL, CSA, FCC et IC.



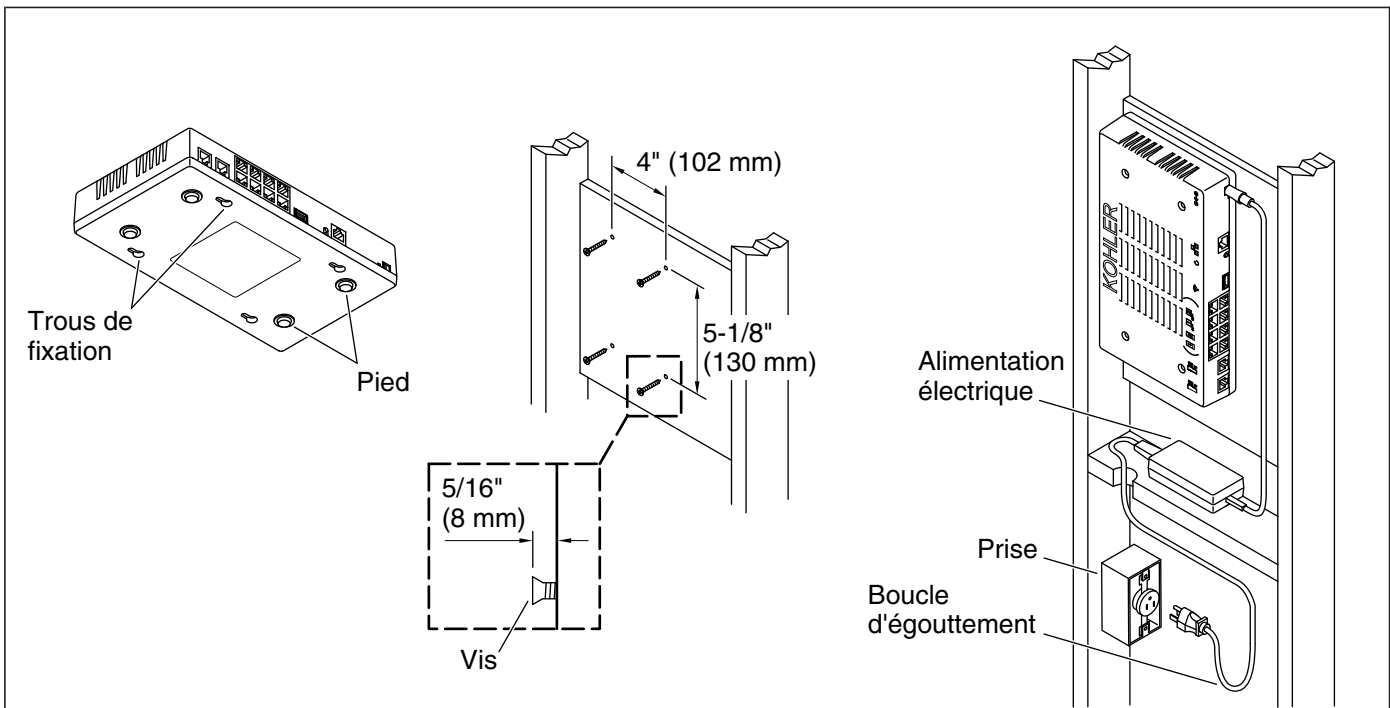
Disposition du système

Le module de commande du système alimente l'interface ou les interfaces et commande les composants du système, comme le(s) robinet(s) mélangeur(s) numérique(s).

- Le système peut être configuré pour utiliser trois interfaces. Une interface, installée à l'intérieur de la douche, est requise.
- Déterminer les emplacements de tous les composants, y compris les accessoires de la douche. Pour les configurations de douches préprogrammées, consulter le guide, sur la page du produit à www.us.kohler.com.
- Se référer aux guides d'installation accompagnant chaque produit pour les besoins d'installation spécifiques.

Avant de faire fonctionner le système la première fois:

Télécharger et installer le dernier logiciel pour les composants connectés. Une heure ou plus peuvent être nécessaires en fonction de la configuration du système et de la vitesse de connexion internet. **Ne pas déconnecter l'alimentation électrique des composants pendant le téléchargement et l'installation du logiciel.**



1. Installer le module de commande

ATTENTION: Risque d'endommagement du produit. Le module de commande est destiné à fonctionner à des températures de 104°F (40°C) maximum. Ne pas installer à proximité de sources de chaleur (comme des radiateurs ou sous des enceintes de baignoires à hydromassage), ni dans des endroits où la température pourrait dépasser 104°F (40°C).

IMPORTANT! Le module de commande dans être placé dans une zone sèche, séparée de tout emplacement de vanne numérique.

REMARQUE: Le module de commande est doté de pieds en caoutchouc pour pouvoir être placé sur une étagère, ou il peut être installé sur une surface verticale en utilisant les trous de fixation.

- Le module de commande est conçu pour s'adapter à une cavité de montants 2x4. La cavité ne doit pas comprendre de matériau isolant.
- S'il est monté dans une cavité de montants, il sera nécessaire de fournir un panneau d'accès pour l'entretien.

Installation dans une cavité de montants

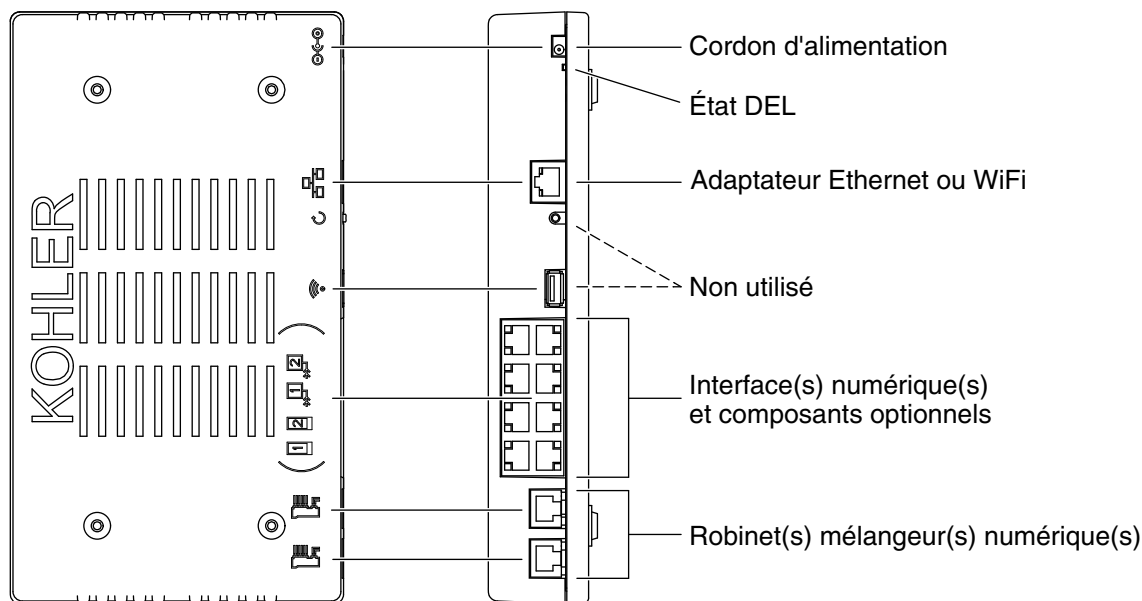
- Installer une surface verticale entre les montants.
- Installer quatre vis pour cloison sèche selon les dimensions ci-dessus. Les vis doivent faire saillie sur 5/16" (8 mm).
- Installer une prise électrique de 120 V, dans l'ossature, à proximité immédiate du module de commande. Une prise pour disjoncteur de fuite de terre (GFCI) pourrait être requise dans certaines applications.

REMARQUE: L'alimentation électrique doit être placée sur une surface horizontale. **Ne pas fixer l'alimentation électrique en place sur une surface quelconque.**

- Installer une planche horizontale pour y placer l'alimentation électrique. Assurer que le cordon peut être acheminé sur la prise électrique sans être pincé.
- Retirer les pieds en caoutchouc du bas du module de commande.
- Accrocher le module de commande sur les vis en saillie.

Installer le module de commande (cont.)

- Acheminer l'alimentation électrique entre le module de commande et la prise électrique.



2. Connecter les composants

IMPORTANT! Créer des boucles d'égouttement dans tous les câbles.

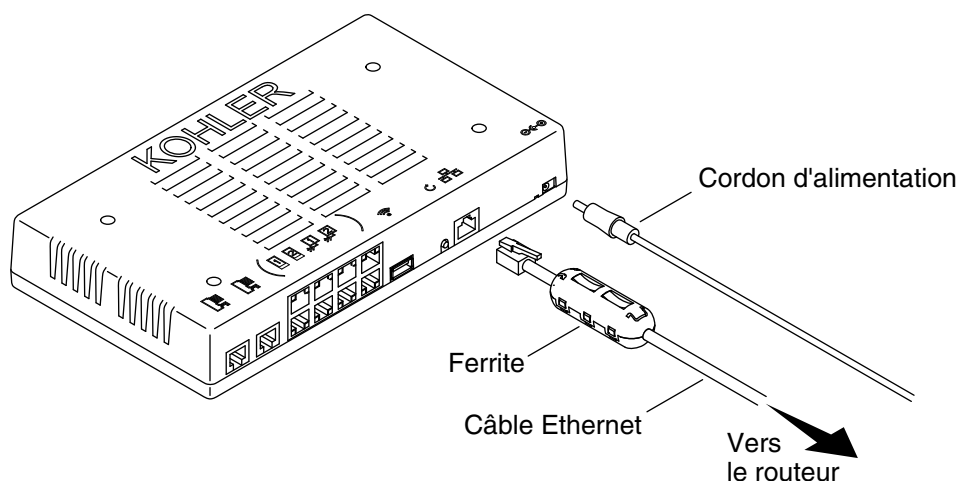
IMPORTANT! Déconnecter l'alimentation électrique du module de commande avant de connecter les câbles.

- Si elles n'ont pas encore été installées, installer des interfaces numériques, des vannes numériques et des composants optionnels pour la configuration de votre système.
- Acheminer tous les câbles des composants vers l'emplacement du module de commande.
- Enfoncez doucement chaque connexion dans le port approprié jusqu'à ce qu'il s'enclenche entièrement en place.
- Connecter l'alimentation électrique au module de commande. Vérifier que l'interface ou les interfaces numériques s'allument.

Avant de faire fonctionner le système la première fois:

Télécharger et installer le dernier logiciel pour les composants connectés. Une heure ou plus peuvent être nécessaires en fonction de la configuration du système et de la vitesse de connexion internet. **Ne pas déconnecter l'alimentation électrique des composants pendant le téléchargement et l'installation du logiciel.**

- Se référer à la section "Télécharger/Installer le logiciel" pour obtenir des instructions sur le téléchargement.
- Pour les options d'adaptateur WiFi recommandées, s'adresser au centre de services à la clientèle de KOHLER au 1-800-4KOHLER (1-800-456-4537).

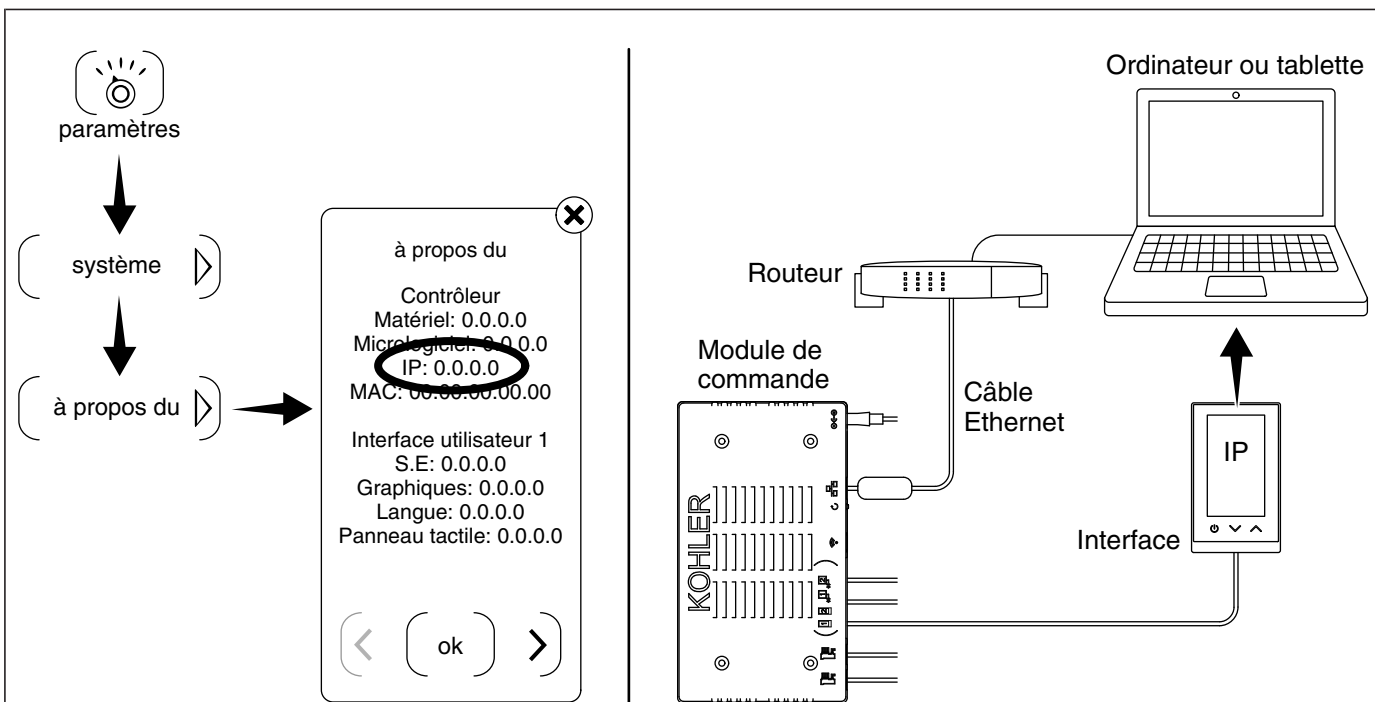


3. Télécharger/Installer le logiciel

AVIS: Le téléchargement et l'installation du logiciel peuvent prendre une heure ou plus en fonction de la configuration du système et de la vitesse de connexion Internet. **Ne pas déconnecter l'alimentation électrique des composants pendant le téléchargement et l'installation du logiciel.**

REMARQUE: Un accès Internet est requis pour recevoir les dernières mises à jour pour les composants du système. Les composants doivent être connectés au module de commande avant le téléchargement du logiciel.

- Déconnecter l'alimentation électrique du module de commande.
- S'assurer que tous les composants du système sont connectés au module de commande.
- Attacher la ferrite (fournie) au câble Ethernet, à proximité de l'extrémité qui sera connectée au module de commande.
- Connecter le câble Ethernet en provenance du module de commande à un routeur ayant un service Internet activé.
- Reconnecter l'alimentation électrique au module de commande. Le module de commande communique avec le routeur pour recevoir une adresse IP.
- Après avoir reçu une adresse IP, le module de commande recherche des mises à jour de logiciel pour tous les composants connectés, et télécharge automatiquement les mises à jour. **Ne pas déconnecter l'alimentation électrique des composants pendant le téléchargement et l'installation du logiciel.**



4. Configuration initiale du système

IMPORTANT! Pour accéder aux pages Web du module de commande pour la configuration du système, le module de commande et un ordinateur ou une tablette doivent être connectés au même routeur.

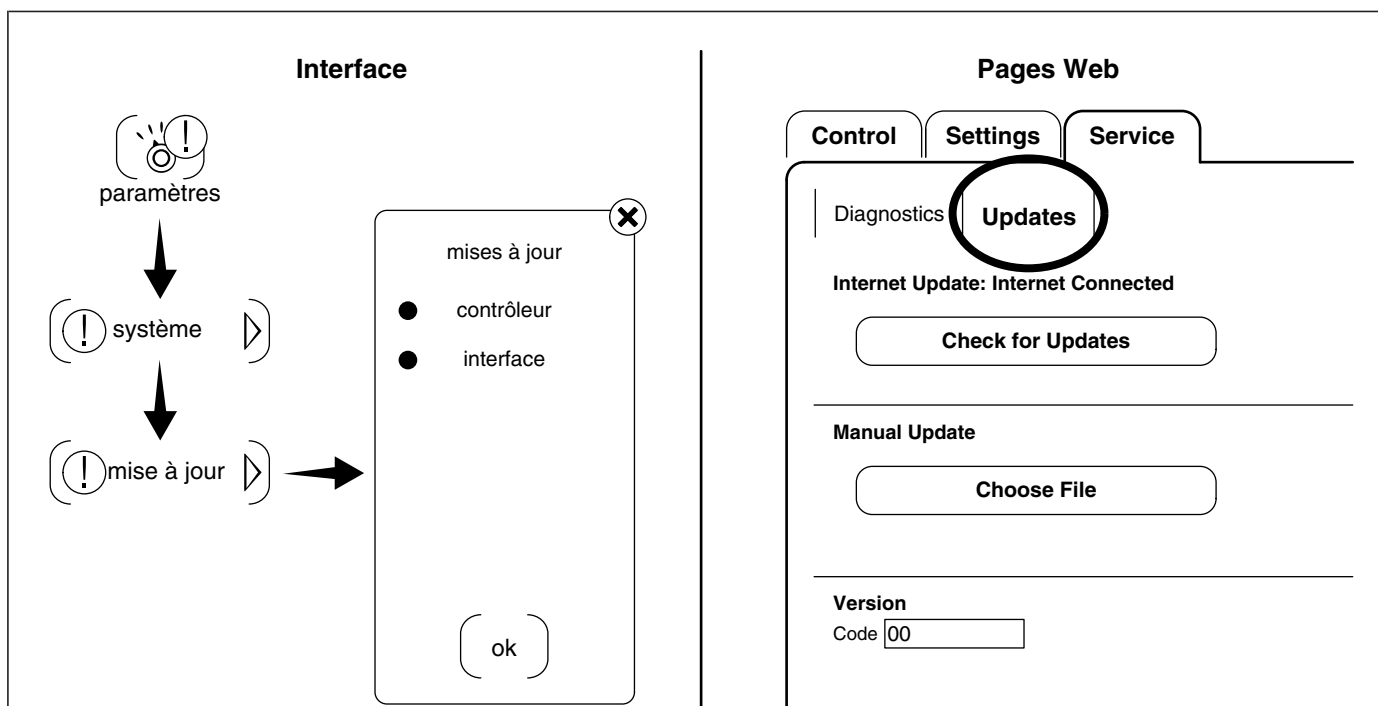
- La configuration du système est effectuée en utilisant les pages Web du module de commande.
- L'adresse IP du module de commande est obtenue à partir de l'interface numérique.

Obtenir l'adresse IP

- Dans l'écran [accueil] sur l'interface, effleurer l'icône [paramètres]. S'il est nécessaire de fournir un code d'accès, saisir "1020."
- Sélectionner l'option [système], puis [à propos du].
- Une fenêtre instantanée affiche les données actuelles du logiciel pour les composants connectés.
- Si une adresse IP valide n'est pas affichée, se référer à la section "Télécharger/Installer le logiciel" pour obtenir des instructions sur la connexion à un routeur.
- Copier l'adresse IP fournie sur les données affichées.

Se connecter aux pages Web du module de commande

- Connecter un ordinateur ou une tablette au même routeur que celui du module de commande.
- Ouvrir une fenêtre de navigateur et saisir l'adresse IP dans le champ de recherche.
- Les pages Web du module de commande apparaissent dans le navigateur et fournissent un accès pour configurer les paramètres du système.



5. Mises à jour de logiciel

REMARQUE: Le module de commande recherche des mises à jour de logiciel tous les jours et télécharge automatiquement le logiciel. Le logiciel peut également être mis à jour manuellement à partir des pages Web du module de commande.

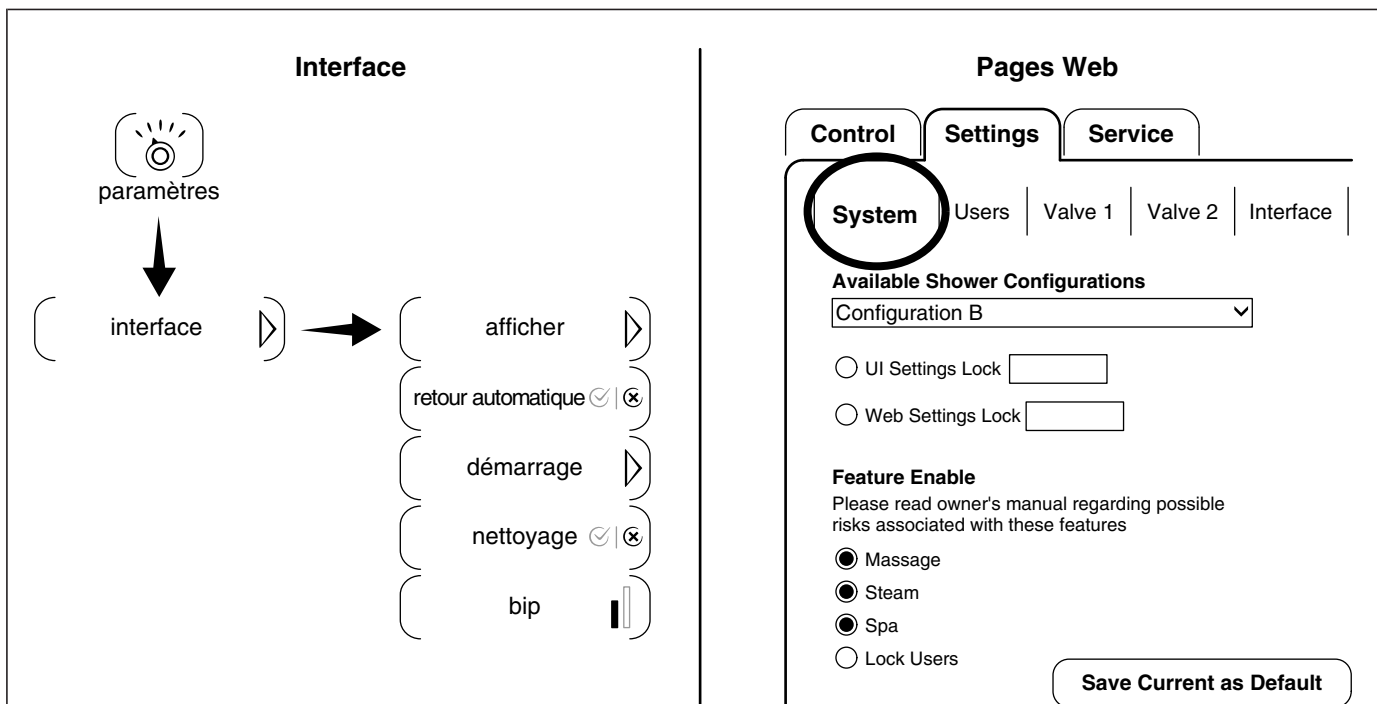
À partir de l'interface

REMARQUE: Si une mise à jour est disponible, l'icône [paramètres] affiche un point d'exclamation dans le coin de l'icône. Effleurer les icônes qui affichent le point d'exclamation pour obtenir l'écran [mises à jour].

- Dans le menu [accueil], effleurer l'icône [paramètres].
- Aller à [système], puis à [mise à jour].
- Une fenêtre instantanée affiche si des mises à jour sont disponibles pour des composants de système connectés.

À partir des pages Web

- Sur un ordinateur ou une tablette connectés au même routeur que le module de commande, ouvrir un navigateur et saisir l'adresse IP Web. Pour obtenir l'adresse IP, se référer à la section "Configuration initiale du système".
- Cliquer sur l'onglet [Service], puis sur [Updates].
- Cliquer sur [Check for Updates] pour télécharger le dernier logiciel pour des composants connectés du système.
- Si des mises à jour sont disponibles, le module de commande télécharge automatiquement le logiciel.



6. Vue d'ensemble des réglages

Tous les réglages du système, comme la configuration de la vanne, peuvent être configurés à partir des pages Web du module de commande. Certains paramètres peuvent être configurés à partir de l'interface.

À partir de l'interface

- Dans le menu [accueil], effleurer l'icône [paramètres].
- Aller à [interface] pour sélectionner les paramètres généraux pour l'interface.
- Pour obtenir de l'information supplémentaire sur l'utilisation de l'interface et ses menus, se référer au guide, sur la page du produit au www.us.kohler.com.

À partir des pages Web

- Sur un ordinateur ou une tablette connectés au même routeur que le module de commande, ouvrir un navigateur et saisir l'adresse IP du module de commande. Pour obtenir l'adresse IP, se référer à la section "Configuration initiale du système".
- Cliquer sur l'onglet [Settings], puis sur [System].
- Sélectionner les paramètres généraux pour le système en question.
- Des pré-réglages utilisateur et des paramètres d'interface supplémentaires peuvent être configurés à partir des pages Web. Cliquer sur le menu approprié pour accéder aux options pour ces paramètres.
- Pour la configuration de la vanne, se référer à la section "Paramètres de la vanne".

Control | **Settings** | **Service**

System | Users | Valve 1 | Valve 2

Available Shower Configurations

Configuration B

UI Settings Lock

Web Settings Lock

Feature Enable

Please read owner's manual regarding possible risks associated with these features

Massage

Steam

Spa

Lock Users

Save Current as Default

Control | **Settings** | **Service**

System | Users | **Valve 1** | Valve 2 | Interface | Spa

Outlet 1

Default

Massage

Auto Purge

Steam Deluge

Outlet 2

Default

Massage

Auto Purge

Steam Deluge

Temperature

Default Temperature

Max Temperature

Cold Water

Auto Purge

Max Run Time

Custom Message Order 1

Custom Message Order 2

Swap Valves 1 and 2

7. Paramètres de la vanne

AVIS À L'INSTALLATEUR:



AVERTISSEMENT: Risque de blessures. Des mesures de précaution doivent être suivies lors de l'utilisation des fonctions de la douche comme [Massage] et [Spa]. Avant de les activer, s'assurer que le propriétaire a lu la documentation sur les risques associés indiqués dans les guides pour ces fonctions.

IMPORTANT! Pour faciliter l'installation pour un système à plusieurs vannes, la vanne 1 (zone 1) doit être connectée au module de commande du système avant la vanne 2 (zone 2). Si la vanne 1 n'apparaît pas sur la page Web du module de commande avant de connecter la deuxième vanne au module de commande, échanger les vannes conformément aux instructions fournies sur la page du produit à www.us.kohler.com.

Configurations de douche pré-programmées

REMARQUE: Les configurations de douche préprogrammées sont décrites dans le guide se trouvant sur la page du produit à www.us.kohler.com.

- Si des composants sont installés pour les configurations de douches préprogrammées, les composants peuvent être remplis automatiquement sur les pages Web.
- Des configurations de douche sont disponibles en fonction du nombre de vannes connectées au module de commande.
- Pour remplir les configurations préprogrammées, sélectionner l'option déroulante appropriée dans le champ [Available Shower Configurations]. Les composants de la douche apparaissent dans les options de sortie sur les menus de la vanne.
- Pour activer les fonctions de la douche, comme la fonction [Massage], aller à l'onglet [Settings], puis cliquer sur [System]. **Les instructions de sécurité pour chaque fonction doivent être lues par le propriétaire avant d'activer la fonction. Se référer au guide pour chaque fonction.**

Configurations de douche personnalisée

REMARQUE: Les composants de douche personnalisés doivent être sélectionnés manuellement sur les menus de la vanne de la page Web.

Paramètres de la vanne (cont.)

REMARQUE: La caractéristique spa n'est pas disponible sur les configurations personnalisées.

- Pour vérifier ou pour configurer les paramètres de la vanne, aller à l'onglet [Settings], puis cliquer sur [Valve 1].
- Sélectionner les paramètres pour chaque sortie de douche pour la configuration du système en question.
- Le cas échéant, cliquer sur [Valve 2] pour sélectionner les sorties pour la deuxième vanne.

Terminer l'installation

- Lorsque les composants ont été configurés, vérifier la fonctionnalité. Vérifier que chaque composant fonctionne comme prévu.
- Pour de l'information de dépannage pour chaque composant du système, se référer au guide, sur la page du produit à www.us.kohler.com.

Dépannage

IMPORTANT! Couper l'alimentation électrique avant d'effectuer un entretien quelconque.

REMARQUE: Pour tout renseignement sur les pièces de rechange, visiter la page du produit sur le site www.kohler.com/serviceparts.

Ce guide de dépannage est seulement destiné à fournir une aide d'ordre général. Pour des problèmes ou questions concernant l'entretien et l'installation, composer le 1-800-4KOHLER.

Tableau de dépannage du module de commande

Symptômes	Cause probable	Action recommandée
1. Le système s'arrête de fonctionner et l'état DEL est rouge en continu.	A. Défaillance du système.	A. Redémarrer le module de commande en déconnectant l'alimentation c.a. de la prise murale. Si la DEL d'état reste allumée en rouge continu après le redémarrage, remplacer le module de commande.
2. Le système s'arrête de fonctionner et l'état DEL est désactivé.	A. Panne d'alimentation électrique. B. Câblage incorrect de l'alimentation c.a.	A. Redémarrer le module de commande en déconnectant l'alimentation c.a. de la prise murale. S'il n'y a pas de changement après le redémarrage, remplacer l'alimentation électrique. B. Vérifier que le module de commande a été installé selon le manuel d'installation. S'assurer que l'alimentation c.a. est présente au niveau de la prise dans laquelle le module de commande est connecté.
3. Les composants ne sont pas toujours sur le menu, bien qu'ils soient connectés au module de commande.	A. Câbles endommagés ou installation incorrecte des câbles. B. Fluctuation de courant. C. Le dispositif n'est pas installé correctement.	A. Inspecter toutes les connexions de câbles. B. Vérifier que les dispositifs sont connectés à une alimentation électrique stable. C. Consulter le manuel d'utilisation du dispositif périphérique.

Dépannage (cont.)

Tableau de dépannage d'interface

Symptômes	Cause probable	Action recommandée
1. L'interface ne s'allume pas.	<p>A. Le module de commande n'est pas branché dans la prise électrique.</p> <p>B. Les connexions du câble d'interface pourraient être desserrées ou déconnectées.</p> <p>C. Le disjoncteur s'est déclenché.</p> <p>D. Le module de commande devra peut-être réinitialisé.</p> <p>E. Un coupleur ou un câble "de croisement" a été utilisé pour connecter l'interface au module de commande.</p> <p>F. Si aucune des mesures recommandées pour les problèmes susmentionnés ne remédie au symptôme, il sera nécessaire de réparer l'interface ou le module de commande.</p>	<p>A. Brancher le module de commande dans une prise électrique.</p> <p>B. Inspecter toutes les connexions du câble d'interface.</p> <p>C. Réarmer le disjoncteur.</p> <p>D. Déconnecter et reconnecter le cordon d'alimentation du module de commande de la prise électrique.</p> <p>E. Connecter l'interface au module de commande en utilisant un coupleur ou un câble "direct".</p> <p>F. Contacter un représentant technique agréé de Kohler Co.</p>
2. L'indicateur d'alimentation de l'interface est allumé, mais le système ne se met pas en marche.	<p>A. Les connexions du câble d'interface pourraient être desserrées.</p> <p>B. Le câble d'interface ou le coupleur sont endommagés.</p> <p>C. Si la mesure recommandée ci-dessus ne remédie pas au symptôme, il sera nécessaire de réparer l'interface ou le module de commande.</p>	<p>A. Inspecter toutes les connexions du câble d'interface.</p> <p>B. Remplacer le câble ou le coupleur.</p> <p>C. Contacter un représentant technique agréé de Kohler Co.</p>

Garantie

Garantie limitée de cinq ans pour les robinets, valves et contrôles électroniques KOHLER®

Kohler Co. garantit les robinets, valves et contrôles électroniques contre tout vice de matériau et de fabrication lors d'une utilisation domestique normale, pendant cinq ans à partir de la date d'installation du produit. La présente garantie s'applique uniquement aux robinets, valves et contrôles électroniques installés aux États-Unis, au Canada et au Mexique ("Amérique du Nord").

En cas de défectuosité lors d'une utilisation domestique normale, Kohler Co. choisira, à son gré, la réparation, le remplacement de la pièce ou du produit, ou la rectification appropriée, dans les cas où l'inspection de Kohler révélerait une telle défectuosité. Tout dommage causé par un accident, une mauvaise utilisation ou un mauvais traitement n'est pas couvert par la présente garantie. Un entretien et un nettoyage inadéquats annulent la garantie*. Une preuve d'achat (ticket de caisse d'origine) doit être présentée à Kohler Co. avec toutes les réclamations au titre de la garantie. Kohler Co. n'est pas responsable des frais de main-d'œuvre, d'installation ou de tout autre frais particulier accessoire ou indirect que ceux susmentionnés. La responsabilité de Kohler Co. ne dépassera en aucun cas le prix d'achat du robinet, de la valve ou du contrôle.

Si les robinets, les valves ou les contrôles électroniques sont utilisés dans un commerce ou si ces articles sont installés en dehors d'Amérique du Nord, Kohler Co. garantit les robinets, les valves ou les contrôles contre

Garantie (cont.)

tout vice de matériau et de fabrication pendant un (1) an à partir de la date d'installation dudit produit, et toutes les autres modalités de la présente garantie s'appliquent à l'exception de sa durée.

Pour toute réclamation au titre de la présente garantie, contacter le vendeur, plombier, centre de rénovation ou revendeur par Internet. Fournir tous les renseignements pertinents à la réclamation, dont notamment une description complète du problème et du produit, le numéro de modèle, la date et le lieu d'achat du produit, ainsi que la date de son installation. Joindre également l'original de la facture. Pour de plus amples renseignements ou pour obtenir les coordonnées du service de réparation le plus proche, écrire à Kohler Co., Attn: Customer Care Center, Kohler, Wisconsin 53044, USA, ou appeler le 1-800-4-KOHLER (1-800-456-4537) à partir des É.-U. et du Canada, et le 001-800-456-4537 à partir du Mexique, ou consulter le site www.kohler.com aux É.-U., www.ca.kohler.com à partir du Canada, ou www.mx.kohler.com au Mexique.

LES GARANTIES SUSMENTIONNÉES SONT FOURNIES AU LIEU ET PLACE DE TOUTES AUTRES GARANTIES, EXPRESSES OU TACITES, Y COMPRIS LES GARANTIES TACITES DE COMMERCIALITÉ ET D'ADAPTATION À UN USAGE PARTICULIER.

KOHLER CO. ET/OU LE REVENDEUR DÉCLINENT TOUTE RESPONSABILITÉ CONTRE LES DOMMAGES PARTICULIERS, ACCESSOIRES OU INDIRECTS. Certains états et provinces ne permettent pas de limite sur la durée de la garantie tacite, ni l'exclusion ou la limite des dommages, et, par conséquent, lesdites limites et exclusions peuvent ne pas s'appliquer à votre cas. La présente garantie accorde au consommateur des droits juridiques particuliers. Vous pouvez également avoir d'autres droits qui varient d'un état ou d'une province à l'autre. La présente garantie est accordée uniquement à l'acquéreur d'origine et exclut tous dommages dus à une mauvaise installation, un usage abusif ou une mauvaise utilisation du produit, qu'ils soient effectués par un entrepreneur, une société de services ou le consommateur.

Ceci constitue la garantie écrite exclusive de Kohler Co.

*Ne jamais utiliser de nettoyants contenant des agents abrasifs, de l'ammoniaque, de l'eau de Javel, des acides, des cires, de l'alcool, des dissolvants ou autres produits non recommandés pour le chrome. Ceci annulera la garantie.

Guía de instalación y cuidado

Controlador de sistema para DTV+

INSTRUCCIONES IMPORTANTES

LÉALAS Y GUÁRDELAS PARA EL CLIENTE



ADVERTENCIA: Al usar aparatos eléctricos siempre cumpla las precauciones básicas, incluidas las siguientes:



ADVERTENCIA: Riesgo de sacudidas eléctricas. Se requiere conexión a tierra. Un representante de servicio autorizado debe instalar esta unidad y conectarla a tierra.



ADVERTENCIA: Riesgo de sacudidas eléctricas. Un electricista calificado debe tender todo el cableado eléctrico.



ADVERTENCIA: Riesgo de sacudidas eléctricas. Desconecte el suministro eléctrico antes de dar servicio.



PELIGRO: Riesgo de lesiones personales o de daños a la propiedad. Si el cordón de alimentación es dañado, éste debe substituirse por el fabricante, por su agente de servicio autorizado o por personal calificado con el fin de evitar un peligro.



ADVERTENCIA: Riesgo de lesiones. Este aparato no se destina para utilizarse por personas (inclusive niños) cuyas capacidades físicas, sensoriales o mentales sean diferentes o estén reducidas, o carezcan de experiencia o conocimiento, a menos que dichas personas reciban una supervisión o capacitación para el funcionamiento del aparato por una persona responsable de su seguridad. Los niños deben supervisarse para asegurar que ellos no utilicen este aparato como juguete.



ADVERTENCIA: Riesgo de lesiones personales o de daños a la propiedad. Lea atentamente todas las instrucciones antes de comenzar la instalación.

AVISO: Cumpla todos los códigos de plomería, eléctricos y de construcción.

AVISO: Ciertos códigos eléctricos requieren un circuito protegido por un interruptor de circuito con pérdida a tierra (GFCI)*.

AVISO: Provea acceso sin restricciones para dar servicio al controlador.

*Fuera de Estados Unidos, es posible que este dispositivo se conozca como dispositivo de corriente residual (RCD, por sus siglas en inglés).

Antes de usar el sistema por primera vez:

Descargue e instale el software más reciente de los componentes conectados. Completar este proceso puede tomar una hora o más, de acuerdo a la configuración del sistema y a la velocidad de conexión de Internet. **No desconecte el suministro eléctrico de ninguno de los componentes durante la descarga y la instalación del software.**

Conformidad

Declaración de interferencia de la FCC

Este equipo cumple lo establecido en la sección 15 de las normas de la FCC. La operación de este equipo está sujeta a las siguientes dos condiciones:

1. Este equipo o dispositivo no puede causar interferencia perjudicial, y

Conformidad (cont.)

2. Este dispositivo debe aceptar cualquier interferencia que reciba, incluida la interferencia que pudiera causar funcionamiento no deseado.

Cualquier modificación o cambio que no haya sido aprobado expresamente por la parte responsable de la conformidad podría invalidar el derecho del usuario a utilizar el producto.

Este equipo ha sido probado, y se ha encontrado que satisface los límites de un aparato digital Clase B, de acuerdo a la sección 15 de las normas de la FCC. Estos límites están diseñados para proveer protección razonable contra interferencia perjudicial en una instalación residencial. Este equipo genera, usa y puede radiar energía de radiofrecuencia y, si no se instala y utiliza en cumplimiento de las instrucciones, puede causar interferencia perjudicial a las comunicaciones de radio. Sin embargo, no se garantiza que la interferencia no pudiera ocurrir en una instalación en particular. Si este equipo causa interferencia perjudicial a la recepción de radio o televisión, lo que se puede determinar al encender y apagar el equipo, se le sugiere al usuario que trate de corregir la interferencia mediante una o más de las siguientes medidas:

- Cambiar la orientación o el lugar de la antena receptora.
- Aumentar la separación entre el equipo y el receptor.
- Conectar el equipo a un tomacorriente en un circuito diferente al que utiliza el receptor.
- Consultar al distribuidor o a un técnico con experiencia en radio/televisión para obtener ayuda.

Declaración de la Industria de Canadá

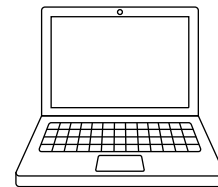
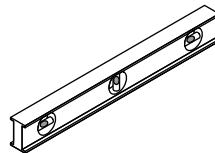
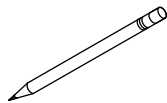
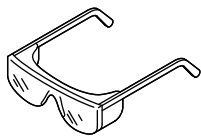
Este dispositivo cumple las normas RSS de excepción de licencia de la Industria de Canadá. La operación de este equipo está sujeta a las siguientes dos condiciones:

1. Este equipo no debe causar interferencia, y
2. Este equipo debe aceptar cualquier interferencia, incluida la interferencia que pueda causar funcionamiento no deseado.

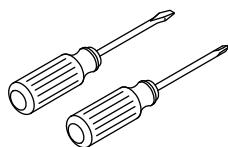
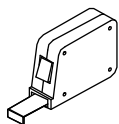
Especificaciones

Temperatura ambiente	Máx. 104°F (40°C)
Humedad relativa máxima	90% sin condensación
Capacidad eléctrica	100-240 VAC, 50-60 Hz, 0,6-0,4 A
Longitud del cable de Ethernet	25' (7,6 m)

Herramientas y materiales



Computadora o tableta



Más:

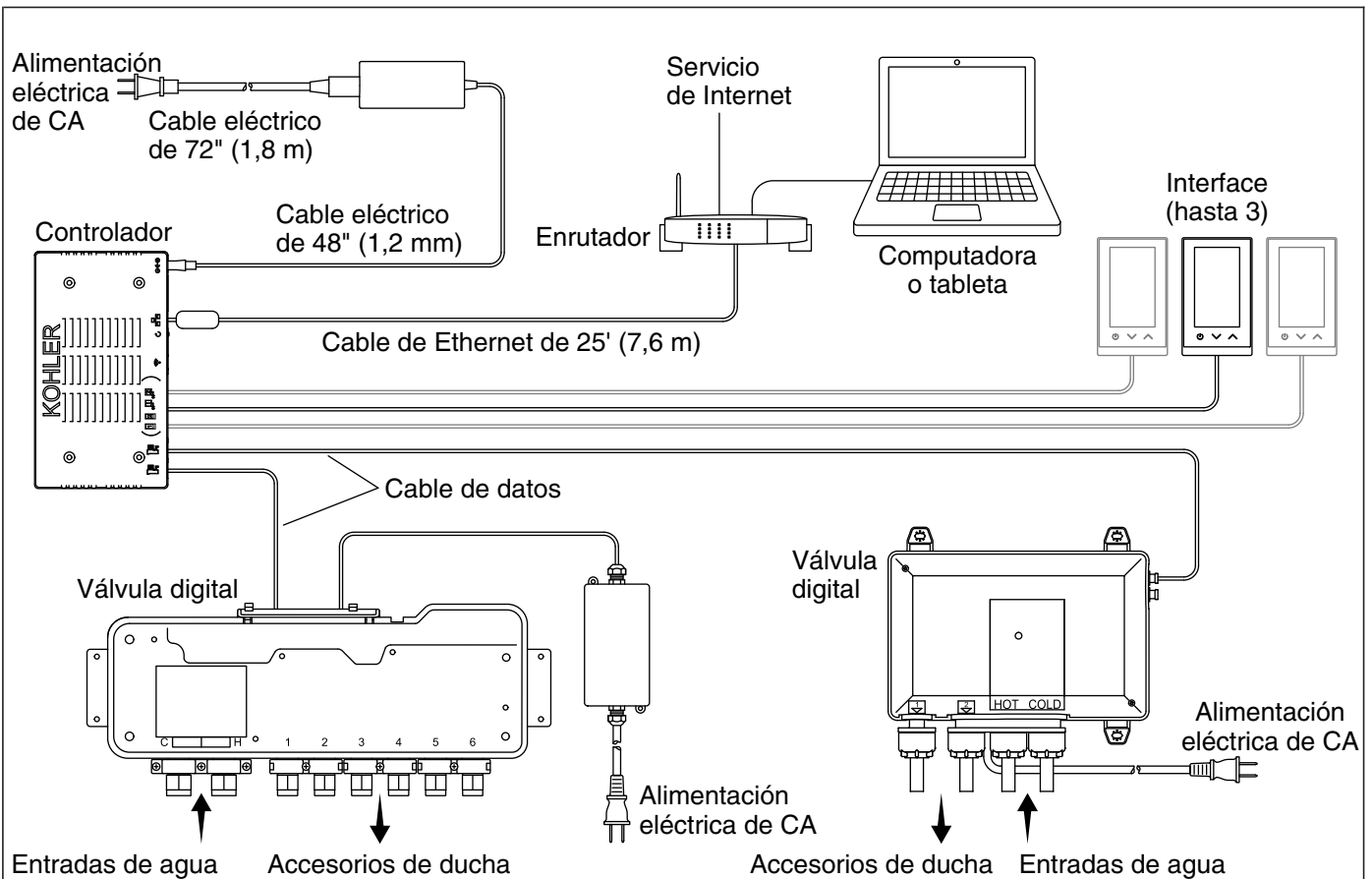
- Enrutador
- Servicio de Internet

Antes de comenzar

¡IMPORTANTE! Para obtener acceso a las páginas de Internet del controlador para configurar el sistema, es necesario conectar el controlador y una computadora o una tableta al mismo enrutador.

NOTA: Se debe contar con acceso a Internet para descargar el software más reciente para los componentes del sistema.

- Antes de comenzar la instalación, lea estas instrucciones y determine los componentes y sus lugares de instalación. Consulte opciones de configuración de duchas en la guía en la página del producto en www.us.kohler.com.
- El controlador viene equipado con patas de goma para poder colocarlo sobre un estante o una encimera.
- El controlador puede instalarse vertical u horizontalmente, y está diseñado para que quepa en una cavidad formada por postes de madera de 2x4.
- Si se va a instalar dentro de una cavidad formada por postes de madera, es necesario proveer un panel de acceso para dar servicio. No debe haber material aislante en la cavidad.
- Un electricista calificado debe instalar un tomacorriente de 120 V, dentro de la estructura de postes de madera, cerca del controlador. Ciertas aplicaciones pueden requerir un tomacorriente GFCI (protegido con un interruptor de circuito con pérdida a tierra).
- Si es posible, instale el tomacorriente antes de instalar el controlador.
- Se provee un cable de Ethernet para conectar el controlador a un enrutador. Si el enrutador no está a menos de 25' (7,6 m) del controlador, consiga un cable de Ethernet más largo o agregue un cable de extensión.
- Este producto cumple las normas de UL, CSA, FCC y IC.



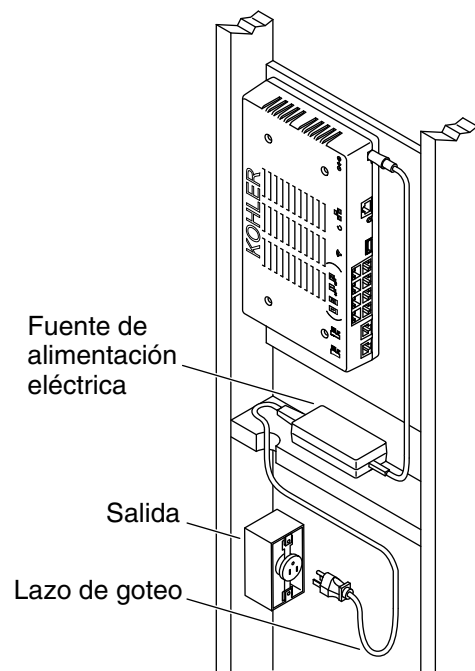
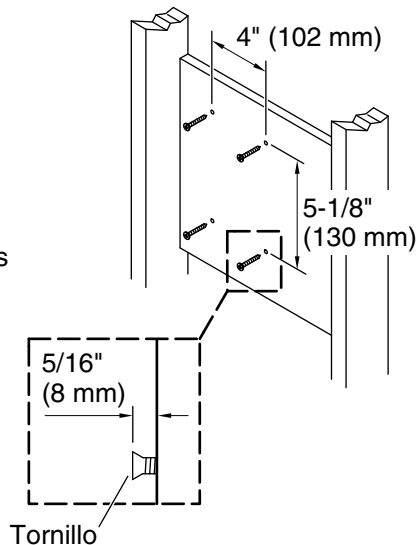
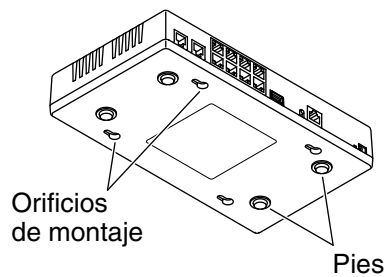
Distribución del sistema

El controlador del sistema provee energía a las interfaces y a los componentes del sistema de control, tales como válvulas digitales de mezclado.

- Su sistema se puede configurar para utilizar tres interfaces. Se requiere una interface instalada dentro de la ducha.
- Determine la ubicación de todos los componentes, incluidos los accesorios de la ducha. Consulte configuraciones preprogramadas de duchas en la guía en la página del producto en www.us.kohler.com.
- Consulte las necesidades específicas de instalación en las guías de instalación empacadas con cada producto.

Antes de usar el sistema por primera vez:

Descargue e instale el software más reciente de los componentes conectados. Completar este proceso puede tomar una hora o más, de acuerdo a la configuración del sistema y a la velocidad de conexión de Internet. **No desconecte el suministro eléctrico de ninguno de los componentes durante la descarga y la instalación del software.**



1. Instale el controlador

PRECAUCIÓN: Riesgo de daños al producto. Este controlador tiene la capacidad nominal para funcionar a temperaturas de hasta 104°F (40°C). No instale cerca de fuentes de calor (como radiadores o bajo estructuras circundantes de bañeras de hidromasaje) o en lugares donde la temperatura pueda exceder 104°F (40°C).

¡IMPORTANTE! El controlador debe colocarse en un área seca, separado de cualquier lugar donde haya válvulas digitales.

NOTA: El controlador viene equipado con patas de goma para poder colocarlo sobre un estante, o puede ser instalado contra una superficie vertical mediante los orificios de montaje.

- Este controlador está diseñado para que quepa en una cavidad formada por postes de madera de 2x4. No debe haber material aislante en la cavidad.
- Si se va a instalar dentro de una cavidad formada por postes de madera, es necesario proveer un panel de acceso para dar servicio.

Instalación en una cavidad formada por postes de madera

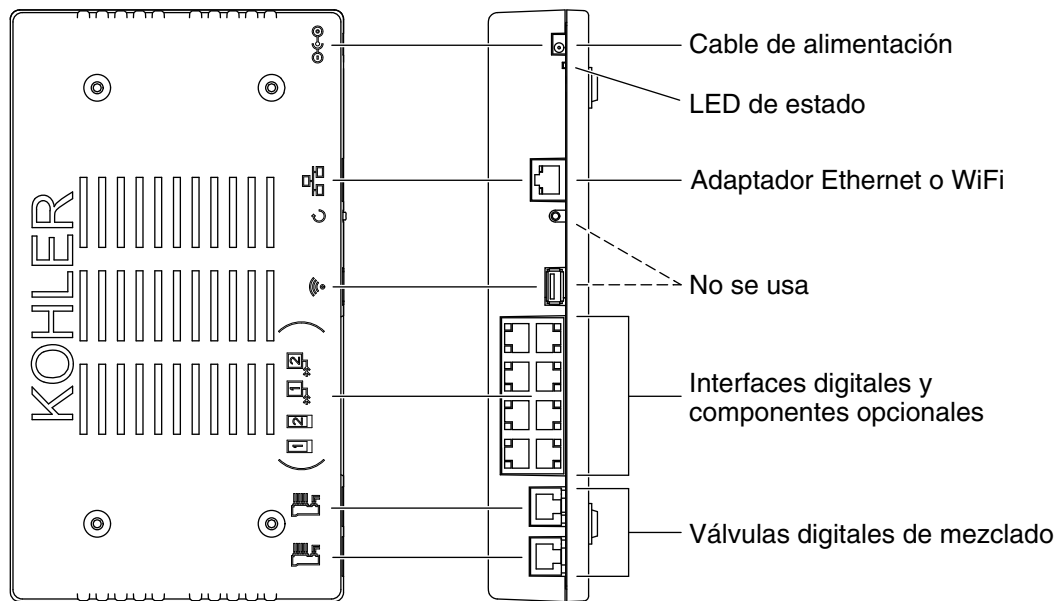
- Instale una superficie vertical entre los postes de madera.
- Instale cuatro tornillos para panel de yeso de acuerdo a las dimensiones anteriores. Los tornillos deben sobresalir 5/16" (8 mm).
- Instale un tomacorriente de 120 V dentro de la estructura de postes de madera, cerca del controlador. Ciertas aplicaciones pueden requerir un tomacorriente GFCI (protegido con un interruptor de circuito con pérdida a tierra).

NOTA: La fuente de alimentación debe colocarse en una superficie horizontal. **No fije la fuente de alimentación a ninguna superficie.**

- Instale una placa horizontal para colocar la fuente de alimentación. Asegúrese de que el cable pueda ser tendido al tomacorriente sin que quede pellizcado.
- Retire las patas de goma de la parte inferior del controlador.
- Atore el controlador en los tornillos que sobresalen.

Instale el controlador (cont.)

- Tienda la alimentación eléctrica del controlador al tomacorriente.



2. Conecte los componentes

¡IMPORTANTE! Forme lazos de goteo en todos los cables.

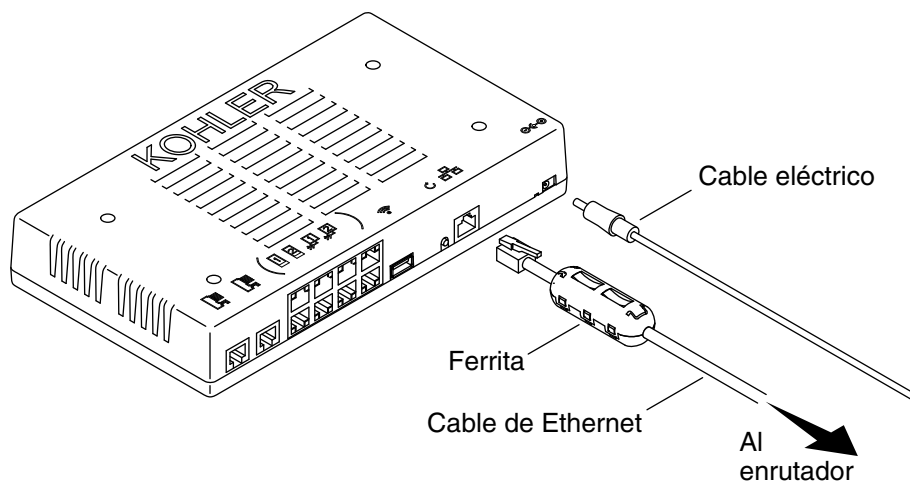
¡IMPORTANTE! Desconecte el suministro eléctrico del controlador antes de conectar los cables.

- Si todavía no están instaladas, instale las interfaces digitales, las válvulas digitales y los componentes opcionales de la configuración de su sistema.
- Tienda todos los cables de componentes a la ubicación del controlador.
- Oprima ligeramente cada conexión en el puerto apropiado hasta que entre a presión por completo en su lugar.
- Conecte la fuente de alimentación al controlador. Verifique que se iluminen las interfaces digitales.

Antes de usar el sistema por primera vez:

Descargue e instale el software más reciente de los componentes conectados. Completar este proceso puede tomar una hora o más, de acuerdo a la configuración del sistema y a la velocidad de conexión de Internet. **No desconecte el suministro eléctrico de ninguno de los componentes durante la descarga y la instalación del software.**

- Consulte las instrucciones de descarga en la sección "Descargue e instale software".
- Para obtener opciones de adaptadores de WiFi, comuníquese con el Centro de Atención al Cliente de KOHLER al 1-800-4KOHLER (1-800-456-4537).

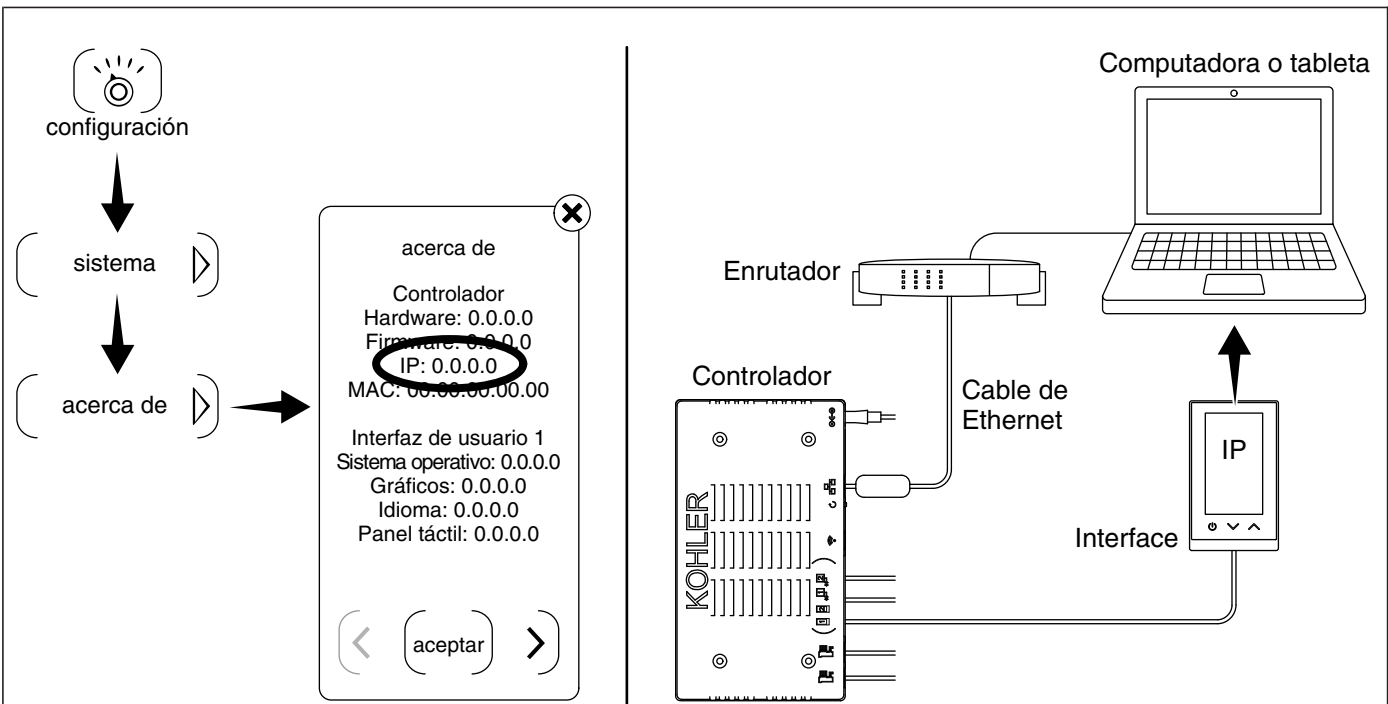


3. Descargue e instale software

AVISO: Descargar e instalar software puede tomar una hora o más, de acuerdo a la configuración del sistema y a la velocidad de conexión de Internet. **No desconecte el suministro eléctrico de ninguno de los componentes durante la descarga y la instalación del software.**

NOTA: Se debe contar con servicio a Internet para recibir las actualizaciones más recientes para los componentes del sistema. Los componentes deben estar conectados al controlador antes de descargar el software.

- Desconecte el suministro eléctrico del controlador.
- Asegúrese de que los componentes del sistema estén conectados al controlador.
- Fije la ferrita (provista) al cable de Ethernet, cerca del extremo que se vaya a conectar al controlador.
- Conecte el cable de Ethernet del controlador a un enrutador con servicio activo a Internet.
- Vuelva a conectar la fuente de alimentación al controlador. El controlador se comunicará con el enrutador para recibir una dirección IP.
- Al recibir una dirección IP, el controlador revisará si hay actualizaciones al software para los componentes conectados, y descargará de manera automática las actualizaciones. **No desconecte el suministro eléctrico de ninguno de los componentes durante la descarga y la instalación del software.**



4. Configuración inicial del sistema

¡IMPORTANTE! Para obtener acceso a las páginas de Internet del controlador para configurar el sistema, es necesario conectar el controlador y una computadora o una tableta al mismo enrutador.

- La configuración del sistema debe hacerse en las páginas de Internet del controlador.
- La dirección IP del controlador se obtiene de la interface digital.

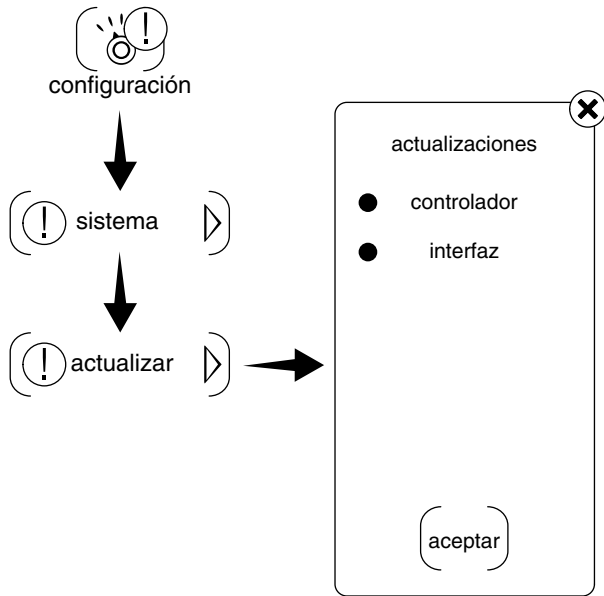
Obtenga la dirección IP

- Desde la pantalla [inicio] en la interface, toque el icono [configuración]. Si se requiere un código de acceso, ingrese "1020".
- Seleccione la opción [sistema] y luego [acerca de].
- Aparece una pantalla emergente con la información del software de los componentes conectados.
- Si no aparece una dirección IP válida, consulte las instrucciones para conectar a un enrutador en la sección "Descargue e instale software".
- Copie la dirección IP de la información que aparece.

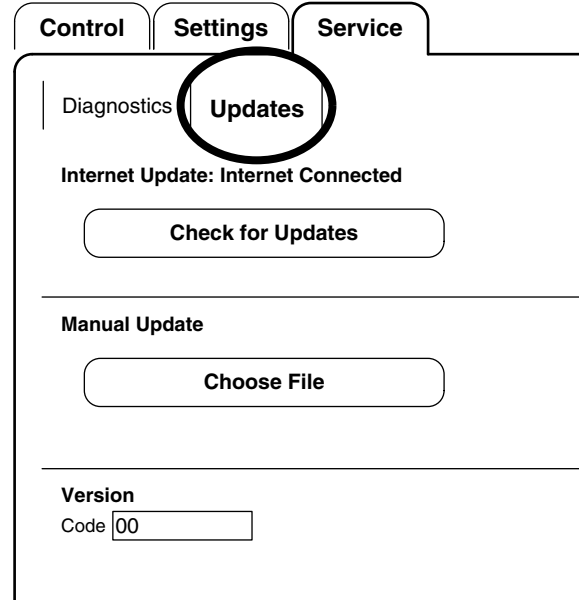
Conecte a las páginas de Internet del controlador

- Conecte una computadora o una tableta al mismo enrutador que el controlador.
- Abra una ventana del navegador y escriba la dirección IP en el campo de búsqueda.
- La página de Internet del controlador aparece en el navegador y da acceso para configurar el sistema.

Interfaz



Páginas de Internet



5. Actualizaciones al software

NOTA: El controlador revisará actualizaciones al software diariamente y hará descargas de software de forma automática. El software también puede ser actualizado manualmente desde las páginas de Internet del controlador.

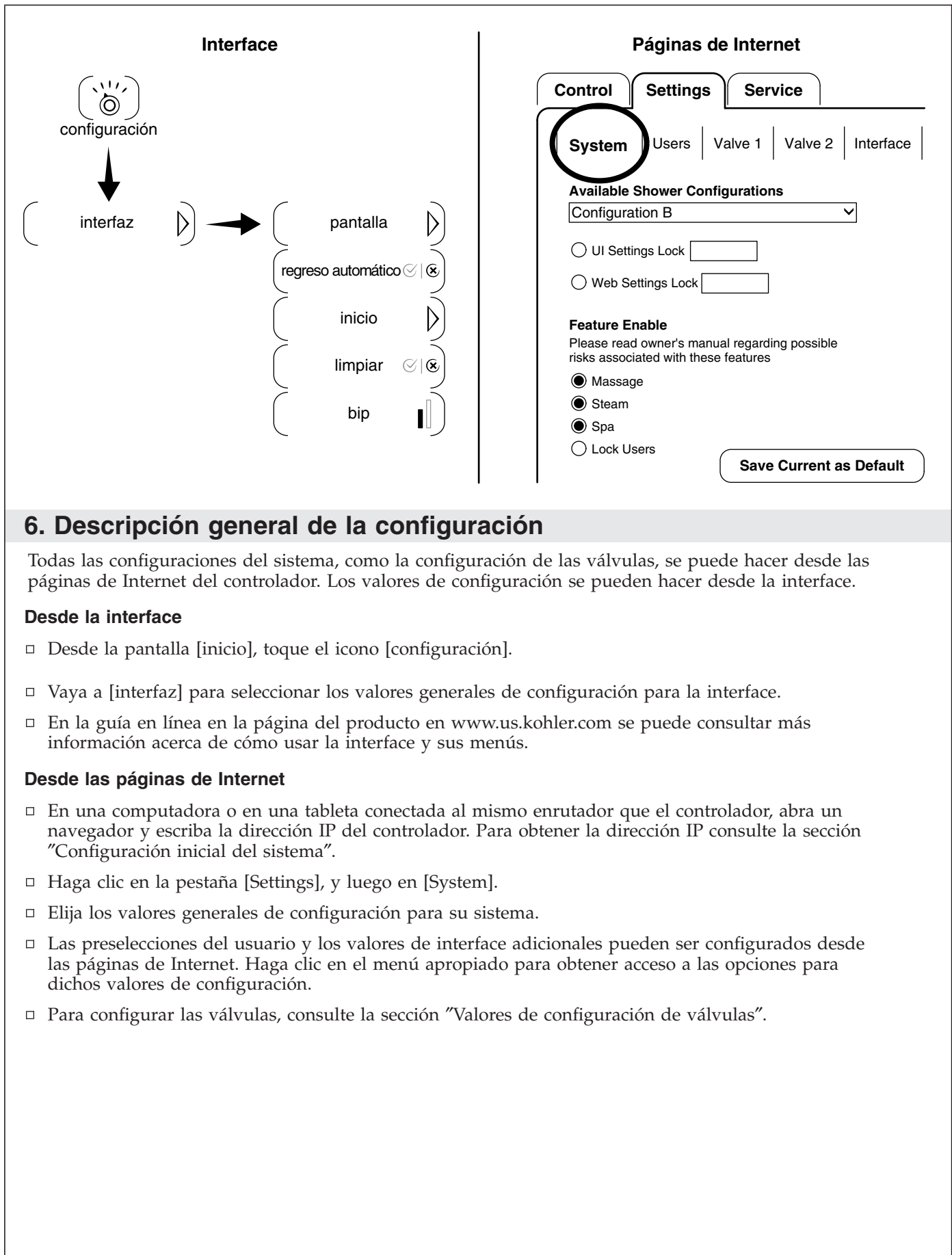
Desde la interface

NOTA: Si hay una actualización disponible, en el icono [configuración] aparece un signo de exclamación en la esquina del icono. Toque los iconos que tengan el signo de exclamación para que aparezca la pantalla de [actualizaciones].

- Desde la pantalla [inicio], toque el icono [configuración].
- Vaya a [sistema] y luego a [actualizar].
- Una pantalla emergente indica si hay actualizaciones disponibles para cualquiera de los componentes conectados del sistema.

Desde las páginas de Internet

- En una computadora o en una tableta conectada al mismo enrutador que el controlador, abra un navegador y escriba la dirección IP. Para obtener la dirección IP consulte la sección "Configuración inicial del sistema".
- Haga clic en la pestaña [Service], y luego en [Updates].
- Haga clic [Check for Updates] para descargar el software más reciente para los componentes conectados del sistema.
- Si hay actualizaciones disponibles, el controlador descargará el software en forma automática.



Control | **Settings** | **Service**

System | Users | Valve 1 | Valve 2

Available Shower Configurations

Configuration B

UI Settings Lock

Web Settings Lock

Feature Enable

Please read owner's manual regarding possible risks associated with these features

Message

Steam

Spa

Lock Users

Save Current as Default

Control | **Settings** | **Service**

System | Users | **Valve 1** | Valve 2 | Interface | Spa

Outlet 1

Default

Massage

Auto Purge

Steam Deluge

Outlet 2

Default

Massage

Auto Purge

Steam Deluge

Temperature

Default Temperature

Max Temperature

Cold Water

Auto Purge

Max Run Time

Custom Message Order 1

Custom Message Order 2

Swap Valves 1 and 2

7. Valores de configuración de válvulas

AVISO AL INSTALADOR:



ADVERTENCIA: Riesgo de lesiones personales. Se deben cumplir las precauciones de seguridad al usar funciones de la ducha tales como [Massage] y [Spa]. Antes de habilitarlas, asegúrese de que propietario haya leído los riesgos asociados que aparecen en las guías de estas funciones.

¡IMPORTANTE! Para facilitar la configuración de un sistema con múltiples válvulas, la válvula 1 (zona 1) debe conectarse al controlador del sistema antes que la válvula 2 (zona 2). Si la válvula 1 no aparece en la página de Internet del controlador antes de conectar la segunda válvula al controlador, intercambie las válvulas de acuerdo a las instrucciones que se encuentran en la página del producto en www.us.kohler.com.

Configuraciones preprogramadas de la ducha

NOTA: Las configuraciones preprogramadas de la ducha aparecen en la guía en la página del producto en www.us.kohler.com.

- Si se instalan componentes para configuraciones preprogramadas de la ducha, es posible ingresar datos automáticamente en las páginas de Internet.
- Hay configuraciones de ducha disponibles basadas en el número de válvulas conectadas al controlador.
- Para ingresar datos en configuraciones preprogramadas, seleccione la opción desplegable apropiada en el campo [Available Shower Configurations]. Los componentes de la ducha aparecen en las opciones de salidas en los menús de las válvulas.
- Para habilitar las funciones de la ducha tales como [Massage], vaya a la pestaña [Settings], y luego haga clic en [System]. **El propietario debe leer las instrucciones de seguridad de cada función antes de habilitarlas. Consulte la guía de cada función.**

Configuraciones a la medida para la ducha

NOTA: Los componentes a la medida para la ducha deben ser seleccionados manualmente en los menús de válvulas en la página de Internet.

Valores de configuración de válvulas (cont.)

NOTA: La característica de spa no está disponible en las configuraciones personalizadas.

- Para revisar o configurar los valores de configuración de las válvulas, vaya a la pestaña [Settings], y luego haga clic en [Valve 1].
- Elija los valores de configuración de cada salida de ducha para la configuración de su sistema.
- Si se aplica, haga clic en [Valve 2] para seleccionar las salidas para la segunda válvula.

Termine de hacer la instalación

- Una vez que los componentes hayan sido configurados, haga una prueba de funcionalidad. Verifique que cada componente funcione de acuerdo al diseño.
- Consulte información de resolución de problemas para cada componente del sistema en la guía en la página del producto en www.us.kohler.com.

Resolución de problemas

¡IMPORTANTE! Apague el suministro eléctrico antes de realizar cualquier trabajo de mantenimiento.

NOTA: Para consultar información sobre piezas de repuesto, visite la página de su producto en www.kohler.com/serviceparts.

Esta guía de resolución de problemas está diseñada únicamente como ayuda general. Si tiene preguntas con respecto al servicio o a la instalación, llame a 1-800-4KOHLER.

Tabla para resolver problemas del controlador

Síntomas	Causa probable	Acción recomendada
1. El sistema deja de funcionar y la luz LED de estado está en rojo sólido.	A. Falla del sistema.	A. Desconecte la alimentación de CA del tomacorriente de la pared para reinicializar el controlador. Si la luz LED de estado permanece en rojo sólido después de reiniciar, cambie el controlador.
2. El sistema deja de funcionar y la luz LED de estado está apagada.	A. Fallo del suministro eléctrico B. Cableado incorrecto de la fuente de alimentación de CA.	A. Desconecte la alimentación de CA del tomacorriente de la pared para reinicializar el controlador. Si no hay cambio después de reinicializar, cambie la fuente de alimentación eléctrica. B. Verifique que el controlador haya sido instalado de acuerdo al manual de instalación. Asegúrese de que haya alimentación de CA en el tomacorriente donde esté instalado el controlador.
3. En ocasiones los componentes no aparecen en el menú, aunque estén conectados al controlador.	A. Cables dañados o cables mal instalados. B. La alimentación eléctrica fluctúa. C. El dispositivo no está bien instalado.	A. Revise todas las conexiones de los cables. B. Verifique que los dispositivos estén conectados a una fuente de alimentación estable. C. Consulte el manual del propietario del dispositivo periférico.

Tabla para resolver problemas de la interface

Síntomas	Causa probable	Acción recomendada
1. La interface no está iluminada.	A. El controlador no está enchufado en el tomacorriente.	A. Enchufe el controlador en un tomacorriente.

Resolución de problemas (cont.)

Tabla para resolver problemas de la interface

Síntomas	Causa probable	Acción recomendada
	<ul style="list-style-type: none">B. Es posible que las conexiones del cable de la interface estén sueltas o desconectadas.C. El interruptor de circuito se ha disparado.D. Es posible que sea necesario reconfigurar el controlador.E. Se utilizó un cable o un cople "cruzado" (de red de Ethernet) para conectar la interface al controlador.F. Si ninguna de las acciones recomendadas para los problemas anteriores corrige el síntoma, la interface o el controlador requiere servicio.	<ul style="list-style-type: none">B. Revise todas las conexiones de los cables de interface.C. Restablezca (reset) el interruptor de circuito.D. Desconecte y vuelva a conectar el suministro eléctrico al controlador desde el tomacorriente.E. Conecte la interface al controlador con un cable o con un cople "directo".F. Consulte a su representante de servicio autorizado de Kohler Co.
2. El indicador de encendido de la interface está encendido, pero el sistema no se enciende.	<ul style="list-style-type: none">A. Es posible que las conexiones del cable de la interface estén sueltas.B. El cable o el cople de interface está dañado.C. Si la acción recomendada anteriormente no corrige el síntoma, la interface o el controlador requiere servicio.	<ul style="list-style-type: none">A. Revise todas las conexiones de los cables de interface.B. Cambie el cable o el cople.C. Consulte a su representante de servicio autorizado de Kohler Co.

Garantía

GARANTÍA LIMITADA DE CINCO AÑOS de griferías, válvulas y controles electrónicos KOHLER®

Kohler Co. garantiza las griferías, las válvulas y los controles electrónicos contra defectos de material y mano de obra durante el uso normal residencial, durante cinco años a partir de la fecha de instalación del producto. Esta garantía se aplica solamente a la grifería, las válvulas y los controles electrónicos instalados en Estados Unidos de América, Canadá y México ("Norteamérica").

Si se encuentra un defecto durante el uso residencial normal, Kohler Co., a su criterio, reparará, proveerá una pieza de repuesto o un producto, o realizará los ajustes pertinentes en los casos en que la inspección realizada por Kohler Co. determine dicho defecto. Esta garantía no cubre daños causados por accidente, abuso o uso indebido. El cuidado y la limpieza indebidos anulan la garantía*. Al presentar las reclamaciones de garantía a Kohler Co., es necesario incluir el comprobante de compra (recibo de venta original). Kohler Co. no se hace responsable de costos de mano de obra, instalación u otros costos incidentales o indirectos, aparte de los mencionados arriba. En ningún caso la responsabilidad de Kohler Co. excederá el precio de compra de la grifería, la válvula o el control.

Si las griferías, las válvulas o los controles electrónicos se utilizan comercialmente o si se instalan fuera del territorio de Norteamérica, Kohler Co. garantiza que la grifería, la válvula o el control está libre de defectos de material y mano de obra durante un (1) año, a partir de la fecha de instalación, estando en efecto todas las demás condiciones de esta garantía, excepto la duración.

Si usted considera que tiene una reclamación en virtud de la garantía, comuníquese con su centro de remodelación, distribuidor, contratista de plomería o distribuidor por Internet. Asegúrese de proporcionar toda la información pertinente a su reclamación, incluida una descripción completa del problema, el producto, el número de modelo, la fecha de compra del producto, el lugar de compra del producto, y la

Garantía (cont.)

fecha de instalación. También incluya el recibo original. Para obtener información adicional, o para el nombre y la dirección del lugar de reparación y servicio más cercano a usted, escriba a Kohler Co., Atención: Customer Care Center, Kohler, Wisconsin 53044 USA, o llame al 1-800-4-KOHLER (1-800-456-4537) desde los EE.UU. y Canadá, y al 001-800-456-4537 desde México, o visite www.kohler.com desde los EE.UU., www.ca.kohler.com desde Canadá, o www.mx.kohler.com en México.

LAS GARANTÍAS ANTERIORMENTE MENCIONADAS SUSTITUYEN A TODAS LAS DEMÁS GARANTÍAS, EXPRESAS O IMPLÍCITAS, INCLUIDAS, ENTRE OTRAS, LAS GARANTÍAS IMPLÍCITAS DE COMERCIALIZACIÓN E IDONEIDAD PARA UN USO DETERMINADO.

KOHLER CO. Y/O EL VENDEDOR DESCARGAN TODA RESPONSABILIDAD POR CONCEPTO DE DAÑOS PARTICULARES, INCIDENTALES O INDIRECTOS. Algunos estados/provincias no permiten limitaciones en cuanto a la duración de una garantía implícita o a la exclusión o limitación de dichos daños, por lo que es posible que estas limitaciones y exclusiones no se apliquen a su caso. Esta garantía otorga al consumidor ciertos derechos legales específicos. Además, usted puede tener otros derechos que varían de estado a estado y de provincia a provincia. Esta garantía está destinada únicamente para el comprador consumidor original y excluye todo daño al producto como resultado de errores de instalación, abuso del producto o uso indebido del mismo, bien sea por parte de un contratista, de una compañía de servicios o del consumidor mismo.

Esta es la garantía exclusiva por escrito de Kohler Co.

***Nunca utilice limpiadores que contengan abrasivos, amoníaco, blanqueador, ácidos, ceras, alcohol, disolventes u otros productos no recomendados para el cromo. Esto anula la garantía.**

USA/Canada: 1-800-4KOHLER

México: 001-800-456-4537

kohler.com

THE BOLD LOOK
OF **KOHLER**®

©2017 Kohler Co.

1218131-2-D