

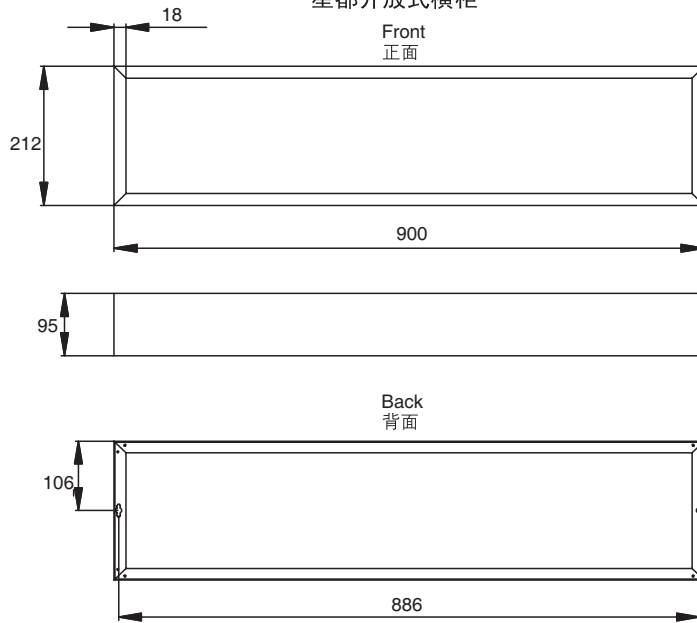
ROUGHING-IN

尺寸图

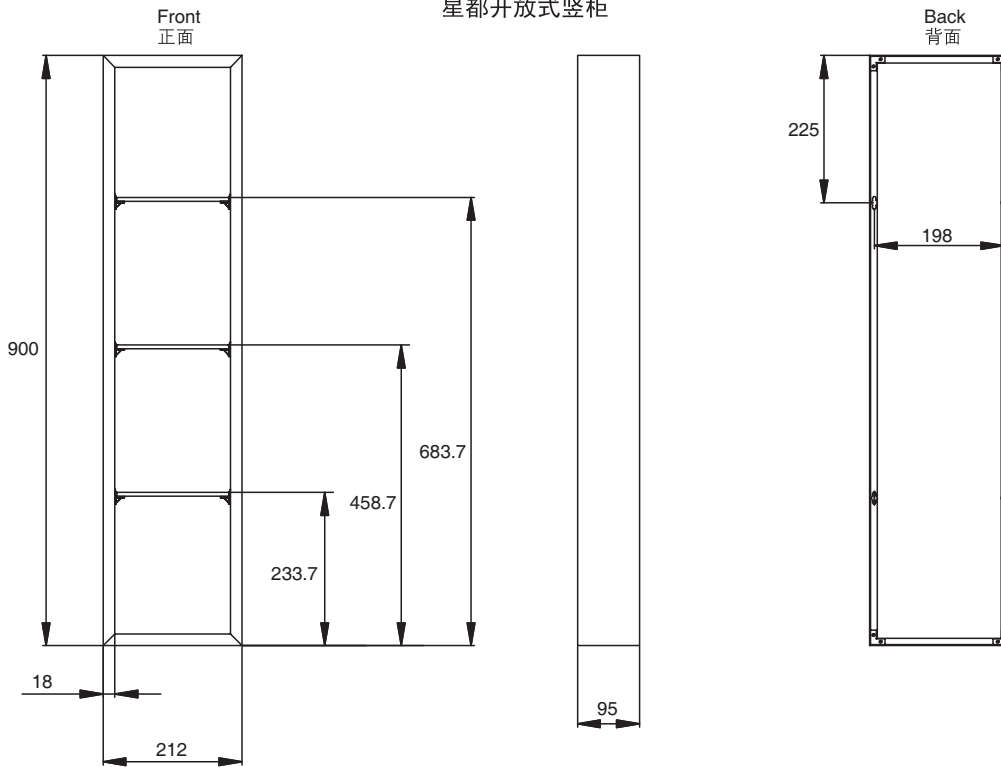
Reference Value
 参考值

K-99916T-LK
 星都开放式横柜

UNIT : mm
 单位: 毫米



K-99917T-LK
 星都开放式竖柜



科勒公司保留随时变更图中标示尺寸的权利，无需另行通知。
 Kohler reserves the right to change marked dimensions without prior notice.

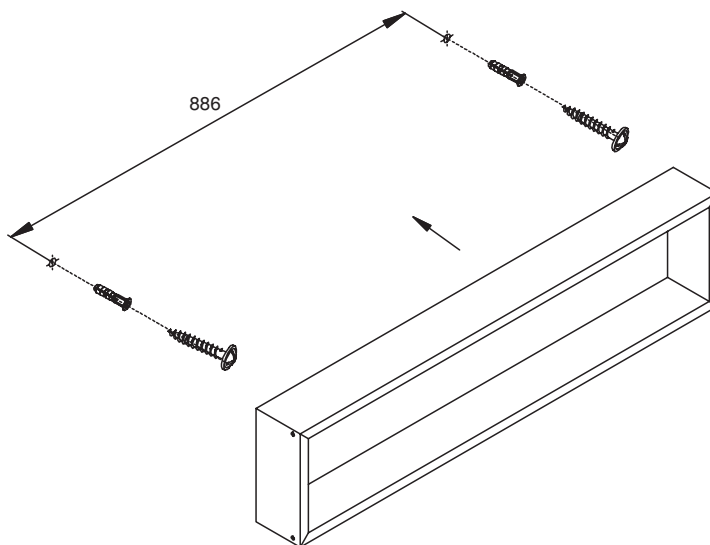
中山科勒卫浴有限公司
 广东省中山市中山火炬开发区兴业路13-1号 邮编: 528437

K-99916T-LK

- Drill two $\Phi 6$ mounting holes on the wall with horizontal distance of 888mm.
- Insert anchors into the holes and fix with screws.
Note: Do not tighten the screws. About 5mm of the screws shall be left outside the wall to hang the shelf.
- Hang the shelf onto wall by aligning the mounting holes on its bottom with the screws.

K-99916T-LK

- 在墙上钻2个 $\Phi 6$ 的安装孔，水平孔距为886mm。
- 将入墙胶粒敲入安装孔内，并拧入安装螺钉。
注：安装螺钉不要拧到底，需外露约5mm，用于挂柜体。
- 将柜体底部的安装孔对准已固定在墙上的安装螺钉，将柜体挂在安装螺钉上。



K-99917T-LK

- Drill two $\Phi 6$ mounting holes on the wall with horizontal distance of 198mm.
- Insert anchors into the holes and fix with screws.
Note: Do not tighten the screws. About 5mm of the screws shall be left outside the wall to hang the shelf.
- Hang the shelf onto wall by aligning the mounting holes on its bottom with the screws.

K-99917T-LK

- 在墙上钻2个 $\Phi 6$ 的安装孔，水平孔距为198mm。
- 将入墙胶粒敲入安装孔内，并拧入安装螺钉。
注：安装螺钉不要拧到底，需外露约5mm，用于挂柜体。
- 将柜体底部的安装孔对准已固定在墙上的安装螺钉，将柜体挂在安装螺钉上。

