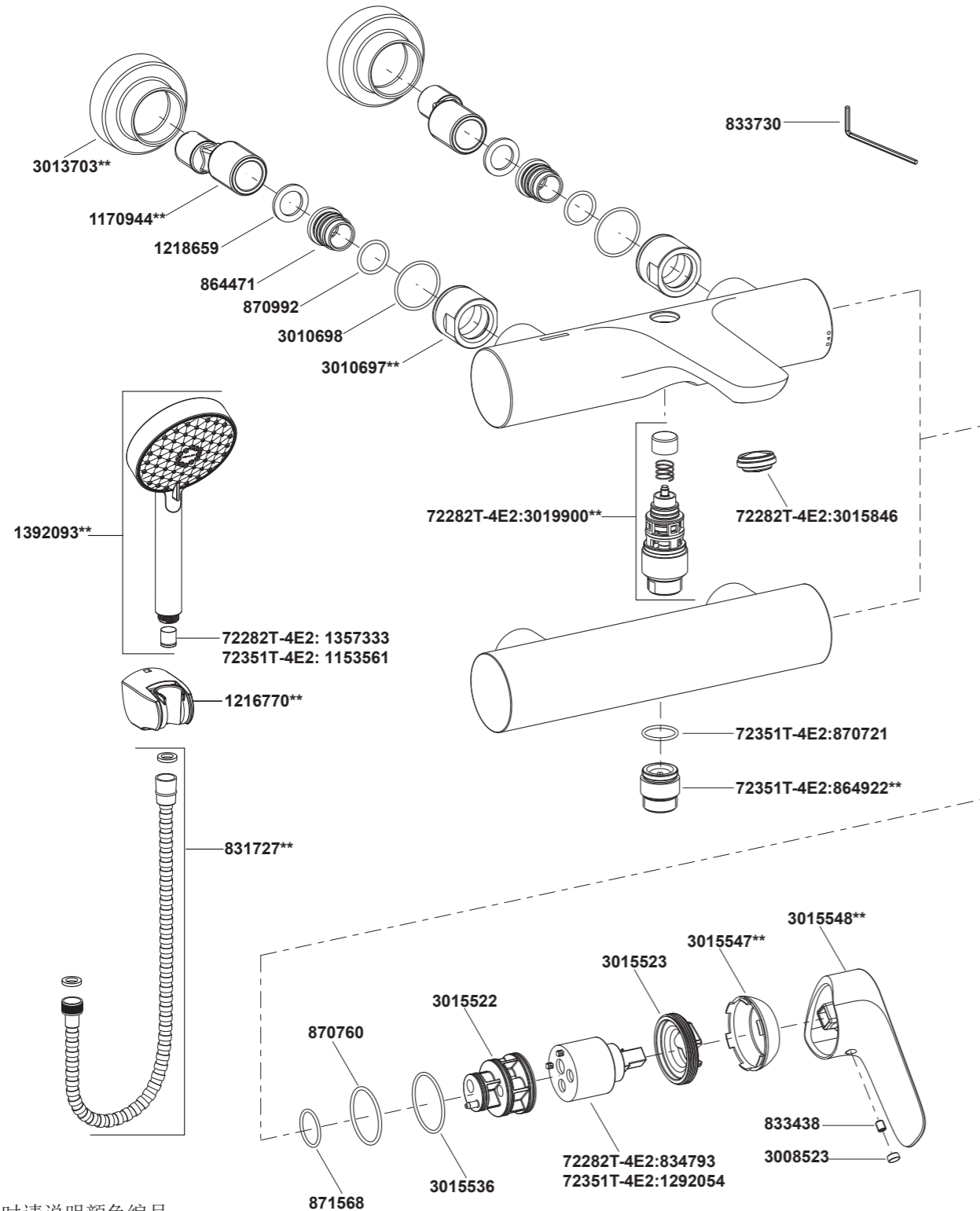


Wall-Mount Bath/Shower Faucet

72282T-4E2 挂墙式浴缸花洒龙头  
72351T-4E2 挂墙式花洒龙头



\*\*订购时请说明颜色编号  
\*\*Color code must be specified when ordering

Wall-Mount Bath/Shower Faucet

72282T-4E2 挂墙式浴缸花洒龙头  
72351T-4E2 挂墙式花洒龙头

安装之前

所有的资料是按最新出版的产品资料编写而成。科勒公司保留任何时候不经通知即可改变产品特性、包装或产品可供类型的权利。

说明书包括重要的安装、保养及清洁方面的内容，请把这些资料交给用户阅读。

注意事项：

1. 一定要先彻底冲洗供水管以清除管道中的杂质。
2. 检查供水管有无损坏和漏水。如需要，进行替换和维修。
3. 遵守当地管路安装条例。
4. 切换器正常工作的最小压力为0.05MPa(0.5bar)。

5. 花洒最高工作压力：0.5MPa(5bar)。水压超过0.5MPa(5bar)时必须安装减压阀。花洒最高工作温度及环境温度：60°C。请特别注意花洒同花洒连接的臂管须远离浴霸，否则可能损坏花洒及其密封件，甚至对使用者造成伤害。

BEFORE YOU BEGIN

All information is based on the latest product information available at the time of publication. Kohler Co. reserves the right to make changes in product characteristics, packaging, or availability at any time without notice.

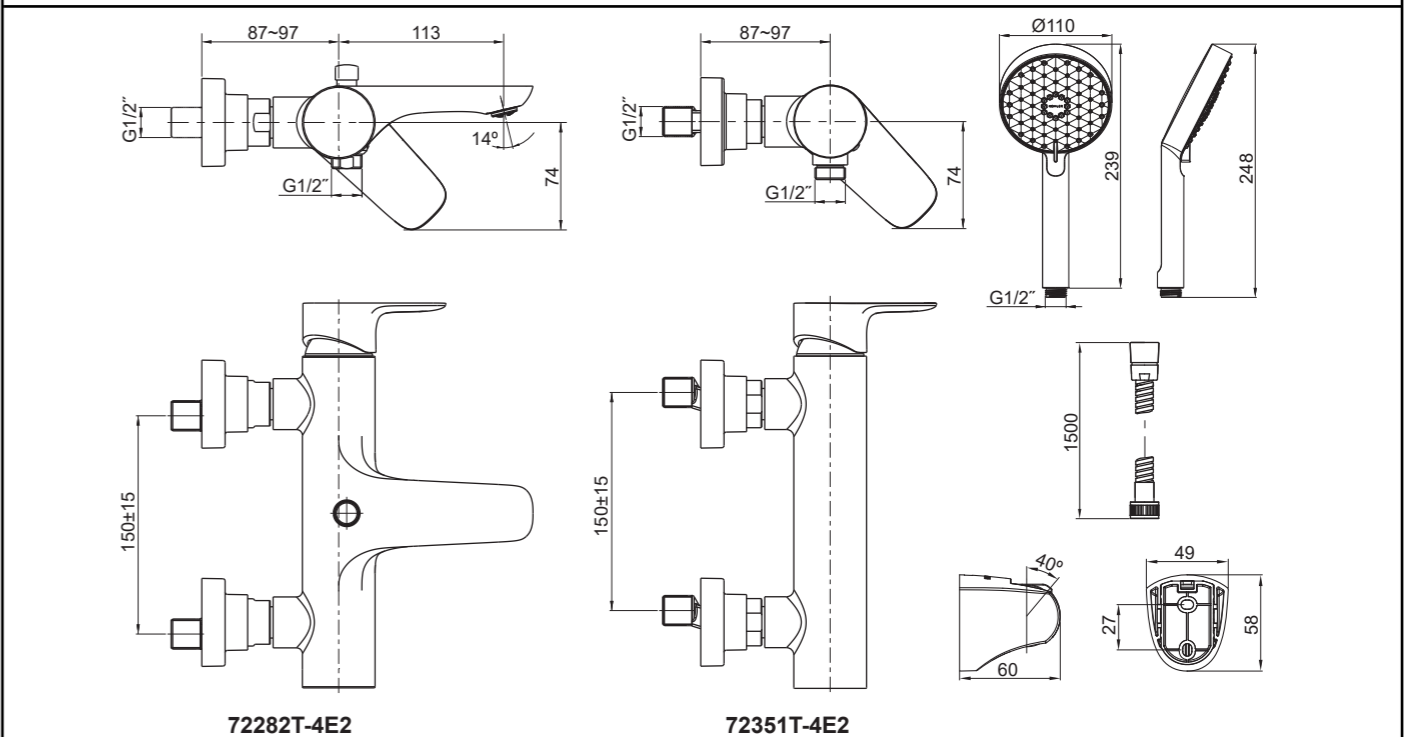
Please leave these instructions for the consumer. They contain important information.

NOTES:

1. Flush the water supply pipes thoroughly to remove debris.
2. Inspect the supply tubing for damage and leakage. Replace and maintain as necessary.
3. Observe local plumbing codes.
4. The minimum inlet water pressure for the diverter is 0.05MPa(0.5bar).
5. The highest working pressure for handshower is 0.5MPa(5bar). If it exceeds 0.5MPa(5bar), a pressure reducer is needed. The highest water and environment temperature is 60°C. Please keep the handshower, showerhead and shower arm away from heater, or it may become damaged and cause injury to the user.

安装尺寸

ROUGH-IN DIMENSIONS



## 安装说明

### 如何安装水龙头

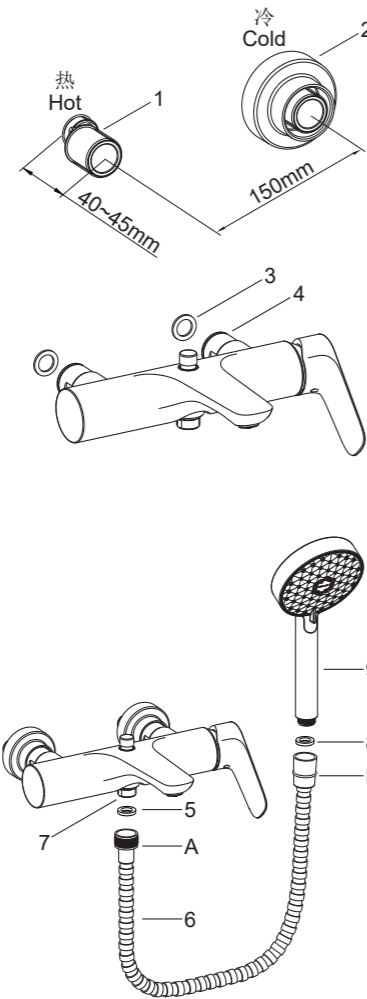
在两个接头(1)涂上螺纹密封膏或缠绕密封胶带, 然后旋入冷热供水管中。

调节两个接头, 使其中心距离为150mm并保持同一水平。他们凸出墙面的尺寸应该在40到45mm之间。将装饰罩(2)旋入接头, 紧贴装修后的墙壁。

将垫片(3)放入螺母(4)中, 把螺母旋到接头(1)上, 用带状扳手锁紧。

先去掉出水口接头保护套。

将垫片(5)装入到软管(6)的A端, 然后与出水口接头(7)连接。将垫片(8)装入到软管的B端, 然后将B端与花洒(9)连接。



## INSTALLATION

### How to Install the Faucet

Use appropriate thread sealants or thread tape on pipe threads. Install the two offset connectors(1) into the hot and cold supply pipes.

Adjust the center-to-center distance between the connectors to 150mm horizontally. They should extend 40 to 45mm from finished wall. Thread the escutcheons(2) onto the connectors until they contact the finished wall.

Put the washers(3) into the nuts(4). Thread the nuts onto the connectors(1) and tighten by wrench.

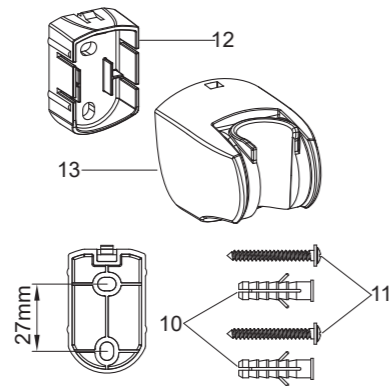
Remove the guard on the outlet connector firstly.

Put the washer(5) into end A of the hose(6), and then connect to the faucet outlet(7). Put the washer(8) into end B of the hose, then connect end B of the hose to the handshower(9).

### 如何安装托架

在墙面选一合适的位置来安装托架。根据孔距在墙面标记钻孔的位置, 依据胀塞(10)直径打孔, 安装胀塞。

旋紧螺钉(11), 使底座(12, 平面朝上), 固定紧贴墙壁。将托架(13)扣在底座上使凸台嵌入豁口。



### How to Install the Bracket

Determine a suitable location on the finished wall to install the bracket. Mark bracket base mounting hole locations on the wall according to the dimension. Drill two holes on the finished wall, the holes should match the anchors(10). Install the anchors.

Tighten screws(11) to secure bracket base(12, flat side upward). Put the bracket(13) onto the bracket base and lock by stopper.

## 安装结果检查

检查并确保所有的衔接处都已拧紧。

确保手柄处于关闭位置。

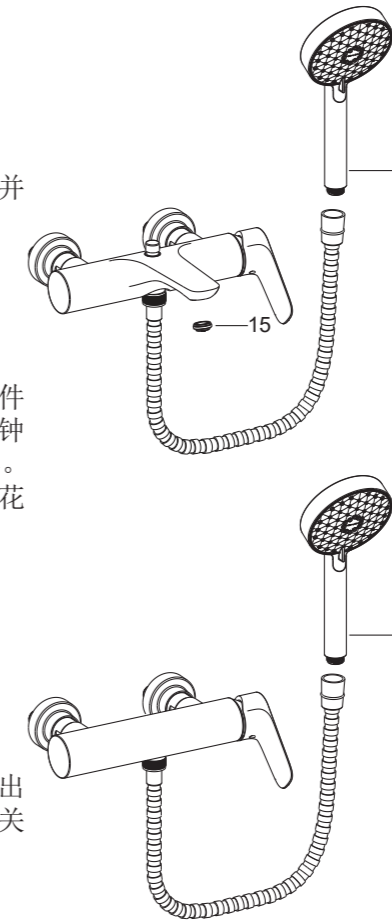
打开排水系统和主要供水源, 检查并修理有漏水的接口。

### 72282T-4E2: 浴缸花洒龙头

取下花洒(9)并用硬币取下起泡器组件(14)。打开冷热水, 让水流出约一分钟以清除杂质。检查渗漏。清洗起泡器。关闭水龙头, 并装回起泡器组件和花洒。

### 72351T-4E2: 花洒龙头

取下花洒(9)。打开冷热水, 让水流出约一分钟以清除杂质。检查渗漏。关闭水龙头, 并装回花洒。



## INSTALLATION CHECKOUT

Ensure that all coupling nuts are tight.

Ensure that the handle is in the off position.

Turn on the main water supply, and check for leaks. Repair as needed.

### 72282T-4E2: Bath Shower Faucet

Remove the handshower(9). Remove the aerator(14) by coin. Run hot and cold water through the faucet for about one minute to remove any debris. Check for leaks. Remove any debris from the aerator assembly. Shut the faucet off, and reinstall the aerator assembly and handshower.

### 72351T-4E2: Shower Only Faucet

Remove the handshower(9). Run hot and cold water through the faucet for about one minute to remove any debris. Check for leaks. Shut the faucet off, and reinstall the handshower.

## 使用说明

轻轻打开把手, 顺时针旋转把手为热水, 逆时针旋转把手为冷水。

## HANDLE OPERATION

Lift the handle gently. Turn clockwise for hot water, turn counter-clockwise for cold water.

## 清理说明

适用于所有加工处理过的表面: 以中性肥皂水清洗镀层表面, 再以干净的软布彻底擦干整个表面, 许多清洁剂, 比如氨水、去污粉及洁厕灵等, 会对电镀表面造成伤害, 切忌使用。

有磨损性的清洁用具或清洁剂也不可适用于科勒牌的水龙头及其配件上。

## CLEANING INSTRUCTIONS

All Finishes: Clean the finish with mild soap and warm water. Wipe entire surface completely dry with clean soft cloth. Many cleaners may contain chemicals, such as ammonia, chlorine, toilet cleaner etc. which could adversely affect the finish and are not recommended for cleaning.

Do not use abrasive cleaners or solvents on Kohler faucets and fittings.