

FEATURES

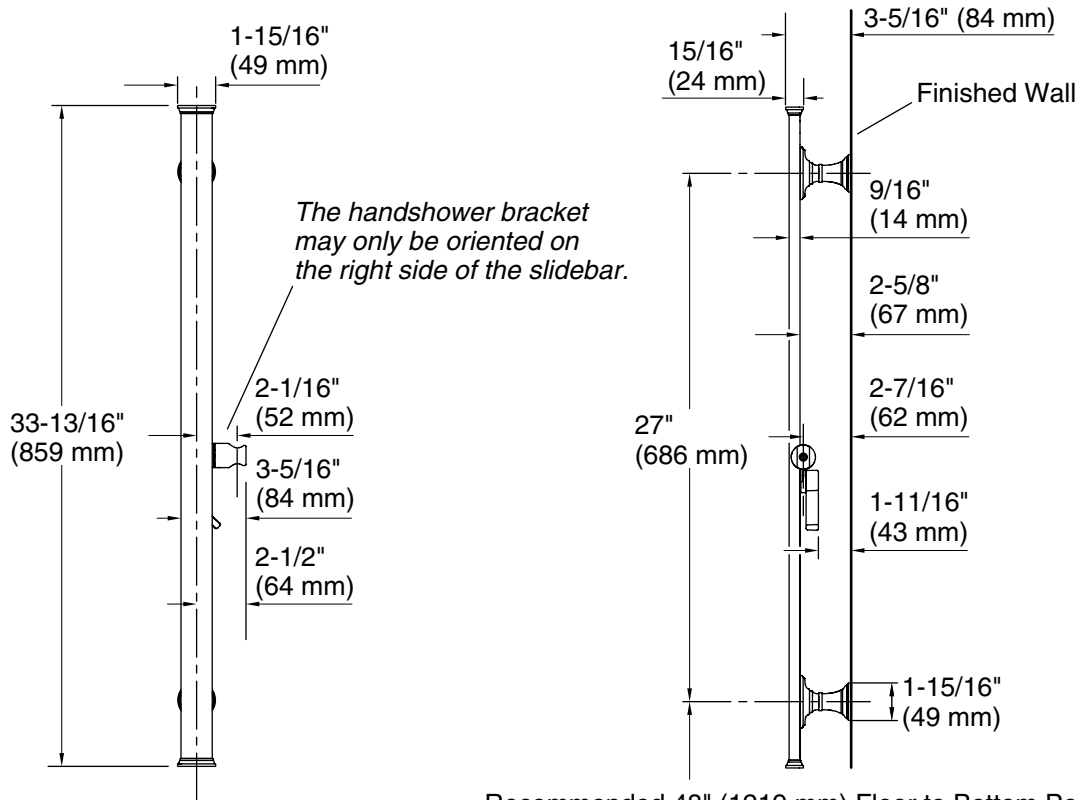
- Solid brass construction for durability and reliability
- Integrated handshower bracket allowing handshower height and angle adjustment
- Complements Kallista faucets and fixtures

CODES/STANDARDS APPLICABLE

Specified model meets or exceeds the following:

- ADA
- ICC/ANSI A117.1

P21654



Recommended 48" (1219 mm) Floor to Bottom Post
 ADA Recommendation: 38" (965 mm) - 41" (1041 mm)

SPECIFIED MODEL

Model	Description	Finishes		
P21654-00	Traditional Slidebar	<input type="checkbox"/> CP Polished Chrome	<input type="checkbox"/> AD Nickel Silver	<input type="checkbox"/> AG Brushed Nickel
		<input type="checkbox"/> BZ Antique Bronze	<input type="checkbox"/> W6 Weathered Bronze	<input type="checkbox"/> BV Brushed Bronze
Recommended Accessories				
P21666-00	Traditional Shelf	<input type="checkbox"/> 0 Stucco White		
P21650-00	Traditional Multi-Function Handshower with Hose	<input type="checkbox"/> CP Polished Chrome	<input type="checkbox"/> AD Nickel Silver	<input type="checkbox"/> AG Brushed Nickel
P24039-00	Traditional Wall Supply Elbow	<input type="checkbox"/> CP Polished Chrome	<input type="checkbox"/> AD Nickel Silver	<input type="checkbox"/> AG Brushed Nickel

We reserve the right to make revisions without notice in the design of products or in packaging unless this right has specifically been waived at the time the order is accepted.