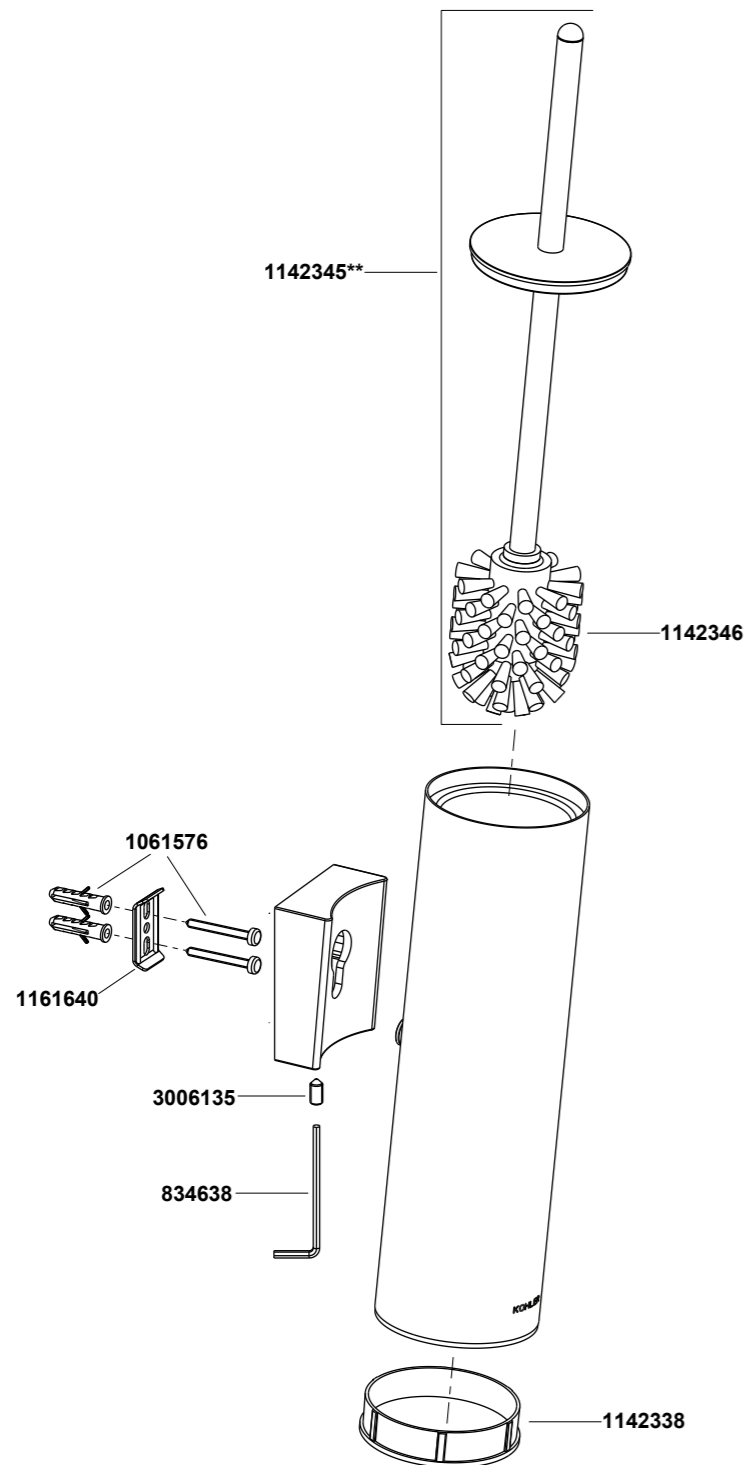


14389T Brush Holder



**Color code must be specified when ordering

- 14388T Covered Toilet Paper Holder
- 14389T Brush Holder
- 14391T 24" Double Towel Bar
- 14397T 24" Double Towel Shelf
- 14451T 24" Towel Bar
- 14455T Glass Shelf
- 14456T Towel Ring
- 14458T Robe Hook
- 14459T Toilet Paper Holder
- 14461T Soap Dish
- 14463T Tumbler Holder

BEFORE YOU BEGIN

All information is based on the latest product information available at the time of publication. Kohler Co. reserves the right to make changes in product characteristics, packaging, or availability at any time without notice.

Please leave these instructions for the consumer. They contain important information.

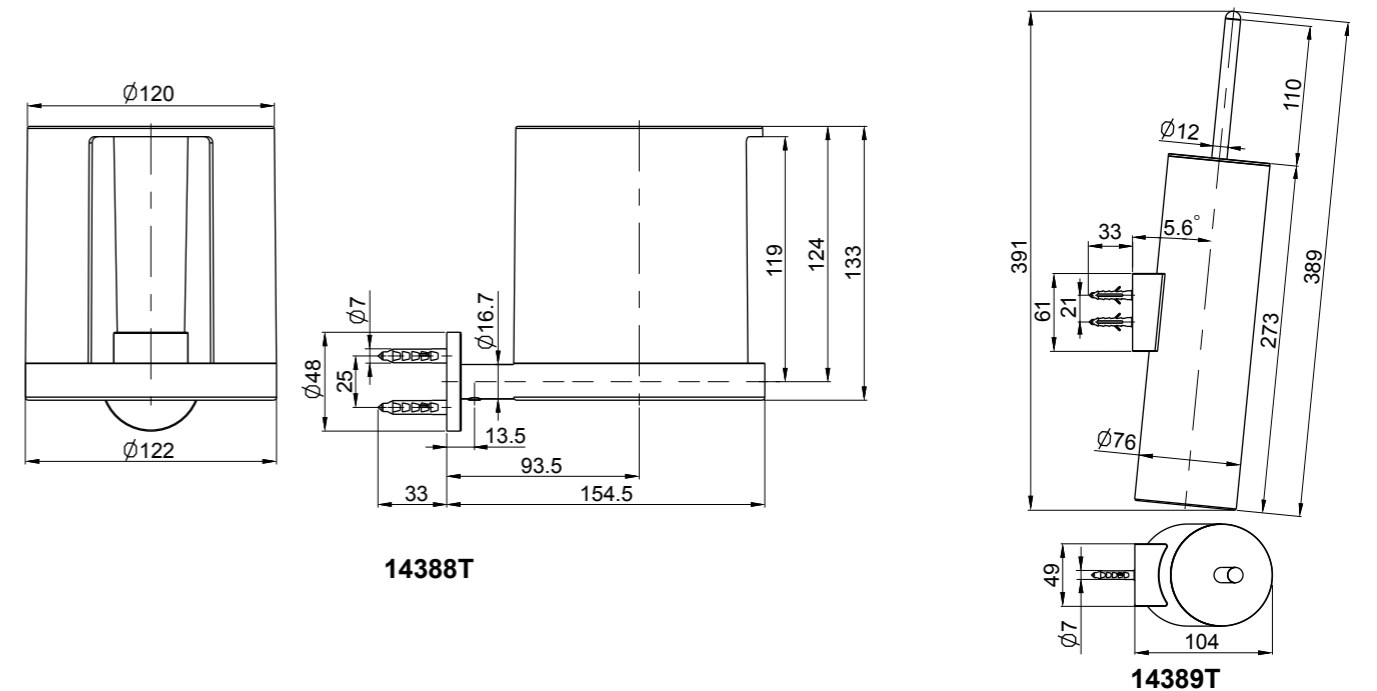
NOTE:

These products should be located and mounted to a wall. While it is possible to mount them to any surface, a stud or concrete mounted product will yield the best results.

DANGER: (Risk of personal injury)

These products are not designed or intended for use as a grab bar or support bar. Do not install where the product might be used as a grab or support bar.

ROUGH-IN DIMENSIONS

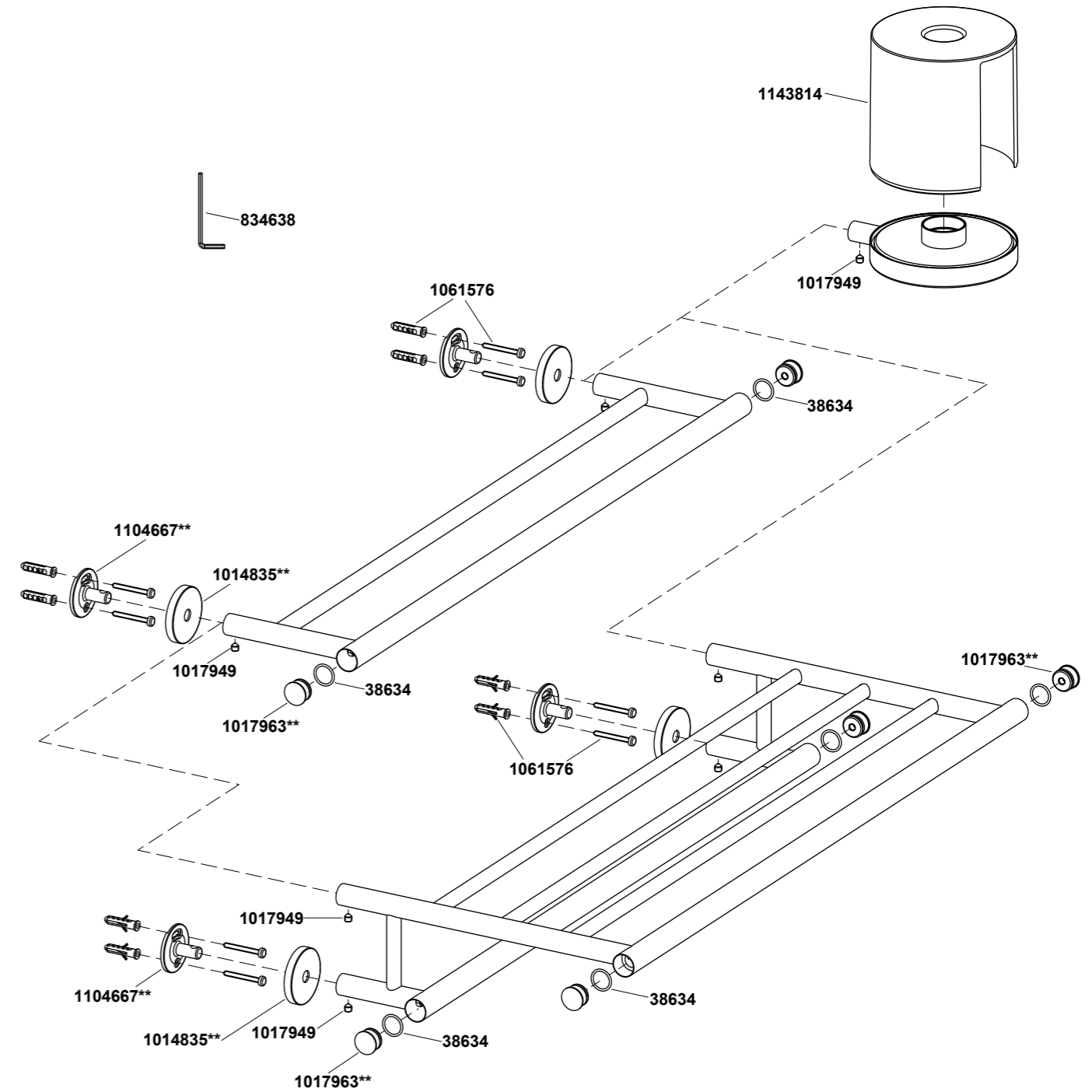
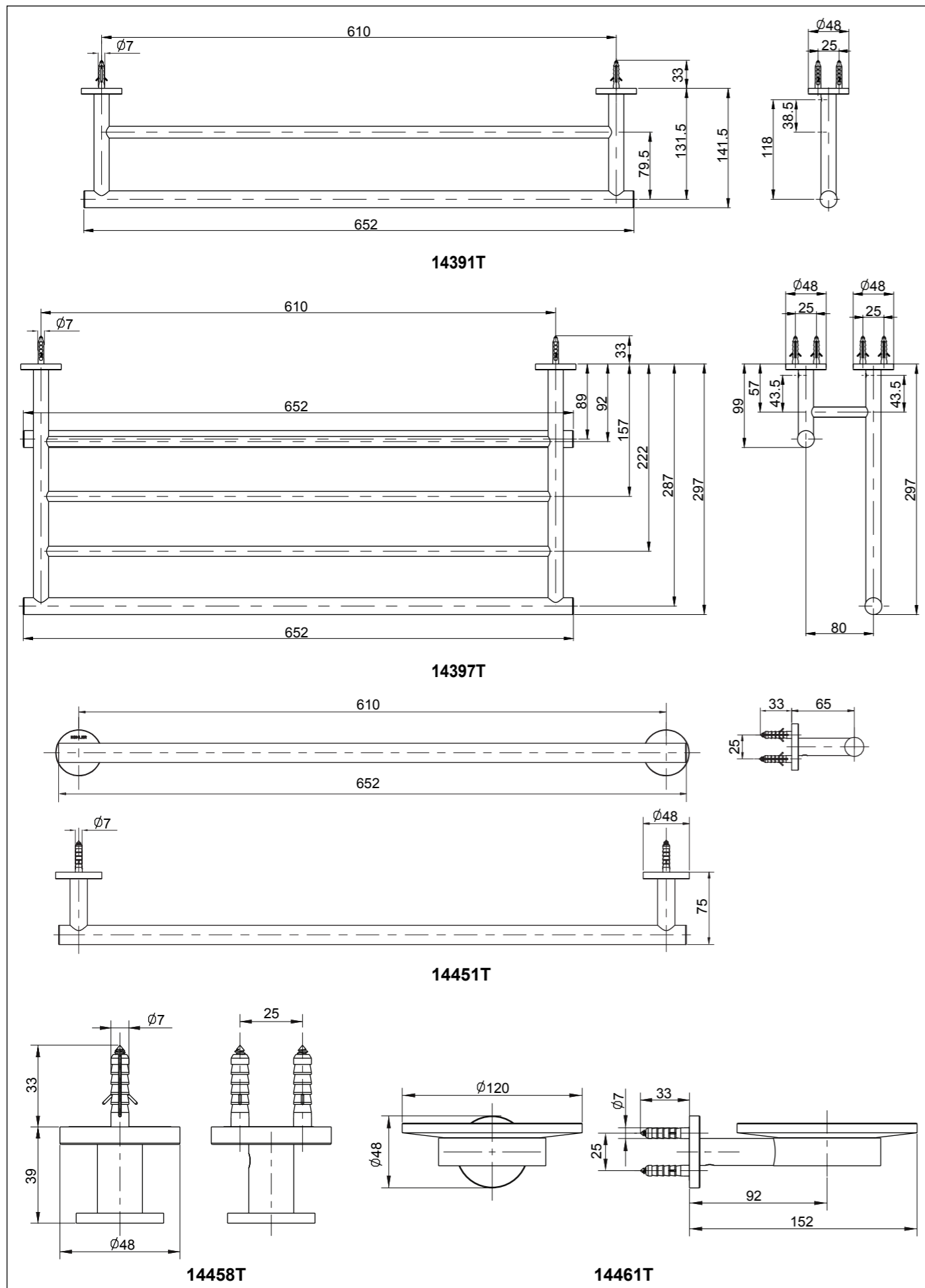


KOHLER®

ACCESSORY SERVICE PARTS

STILLNESS

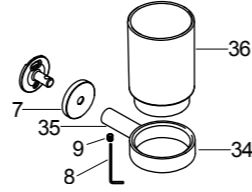
- 14388T Covered Toilet Paper Holder
- 14391T 24" Double Towel Bar
- 14397T 24" Double Towel Shelf



**Color code must be specified when ordering

How To Install The Tumbler Holder

Slide the escutcheon(7) onto bracket. Insert the extension(35) of the tumbler holder kit(34) onto bracket, orienting the screw hole of extension downward. Tighten the screw(9) with the hex wrench(8) to secure the tumbler holder kit.



Remove the tumbler(36) from tumbler holder kit as required. Assemble it back to the tumbler holder kit after use.

INSTALLATION CHECKOUT

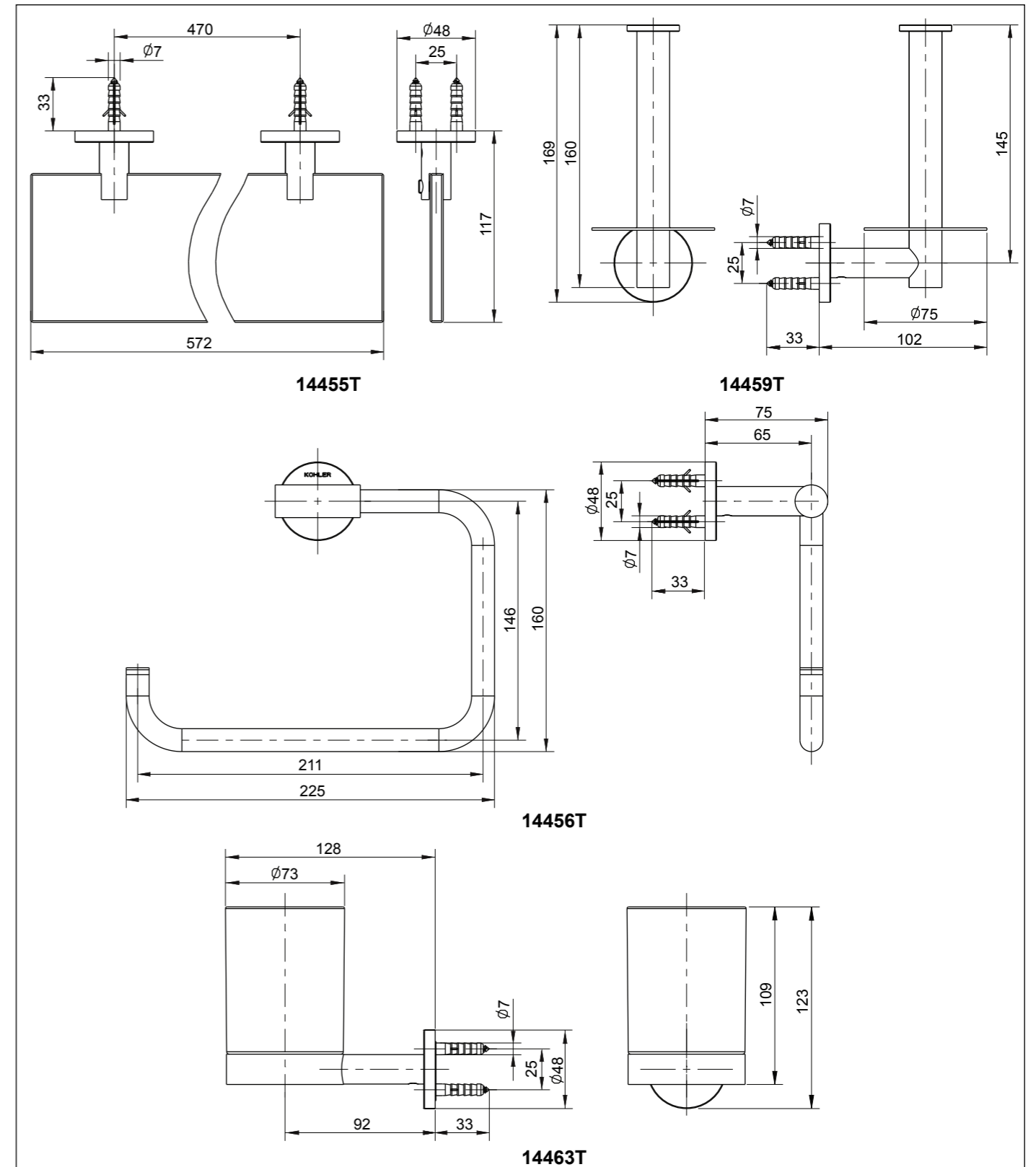
Ensure that all connections are tightened.

Ensure all setscrews face straight down.

CLEANING INSTRUCTIONS

All Finishes: Clean the finish with mild soap and warm water. Wipe entire surface completely dry with a clean soft cloth. Many cleaners may contain chemicals, such as ammonia, chlorine, toilet cleaner etc. Which could adversely affect the finish and are not recommended for cleaning.

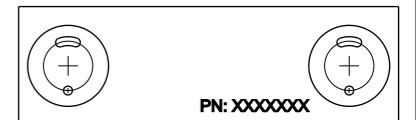
Do not use abrasive cleaners or solvents on Kohler faucets and fittings.



INSTALLATION

How To Install The Bracket

Only For 14451T/14455T/14391T/14397T



As Fig 1 shown, select a location on the vertical wall to stick the templet, ensure the templet is horizontal. Drill hole in the finished wall as required.

Only for 14451T/14455T/14391T/14397T
Fig 1

For All Products(Except For 14451T/14455T/14391T/14397T)

Select a location on the vertical wall to install the bracket.

As Fig 2 shown, mark anchor(1) mounting hole location on wall as shown, ensure the large slotted mounting hole of the bracket(2) upward, the smaller hole of the bracket downward and two screw holes are vertical. Drill hole in the finished wall as required.

As Fig 3 shown, mark anchor(1) mounting hole location on wall as shown, ensure two long straight edges of the bracket(4) are vertical. Drill hole in the finished wall as required.

For All Products

As Fig 4 shown, press the anchor(1) into the hole. Orienting the large slotted mounting hole of the bracket upward, the smaller hole of the bracket downward and two screw holes are vertical, secure the bracket(2) with the self-tapping screw(3).

As Fig 5 shown, press the anchor(1) into the holes. Orienting the straight edge of the bracket(4) vertically, secure the bracket with self-tapping screw(3).

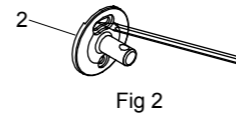


Fig 2

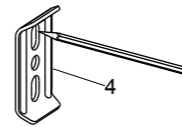


Fig 3

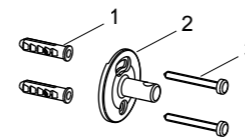


Fig 4

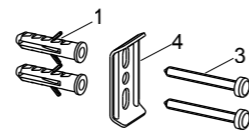
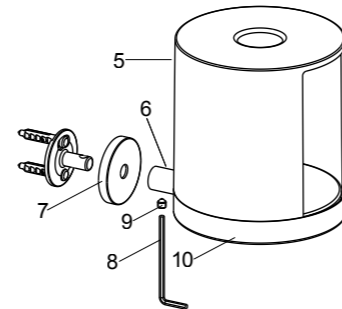


Fig 5

How To Install The Covered Toilet Paper Holder

Slide the escutcheon(7) onto the bracket. Insert the extension(6) of the paper holder kit(10) onto the bracket, orienting the screw hole of the extension downward. Tighten the screw(9) with the hex wrench(8) to secure the paper holder kit.

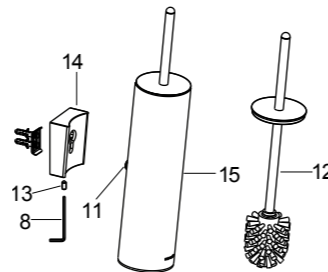
If needed, remove the cover(5) from the paper holder kit to install toilet paper, then reinstall the cover.



How To Install The Toilet Brush Holder

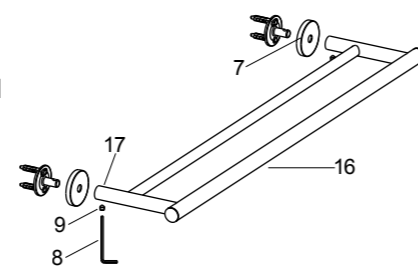
Keeping screw hole of the escutcheon(14) downward, aligning bulge of the bracket with slot of the escutcheon, slide the escutcheon onto the bracket, tighten the screw(13) with the hex wrench(8) to secure the escutcheon. Then orienting the bulge(11) of the brush holder kit(15) align with the larger hole of the escutcheon(14) to install the brush holder kit onto the escutcheon.

Remove the brush kit(12) from the brush holder kit as required.



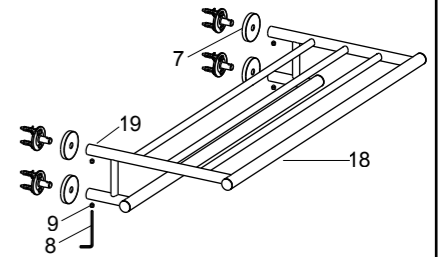
How To Install The Double Towel Bar

Slide the escutcheon(7) onto each bracket. Insert the extension(17) of the towel bar kit(16) onto bracket, orienting the screw hole of extension downward. Tighten the screw(9) with the hex wrench(8) to secure the towel bar kit.



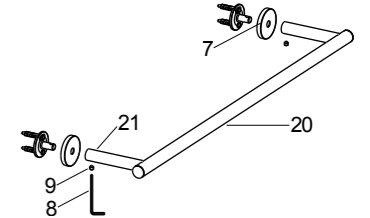
How To Install The Towel Shelf

Slide the escutcheon(7) onto each bracket. Insert the extension(19) of the towel shelf kit(18) onto bracket, orienting the screw hole of extension downward. Tighten the screw(9) with the hex wrench(8) to secure the towel shelf kit.



How To Install The Towel Bar

Slide the escutcheon(7) onto each bracket. Insert the extension(21) of the towel bar kit(20) onto bracket, orienting the screw hole of extension downward. Tighten the screw(9) with the hex wrench(8) to secure the towel bar kit.

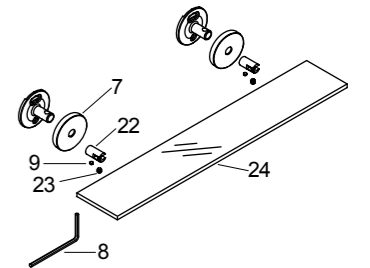


How To Install The Glass Shelf

Slide the escutcheon(7) onto each bracket. Insert two extensions(22) onto each bracket, orienting the screw hole of extension downward. Tighten the screw(9) with the hex wrench(8) to secure the extension.

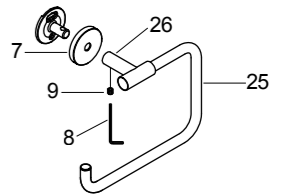
Slide the shelf(24) onto the slot of each extension, orienting the shelf horizontal and symmetrical. Tighten the screws(23) with a screw driver to secure the shelf.

NOTE: Install shelf(24) with the frosted surface downward.



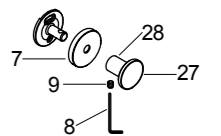
How To Install The Towel Ring

Slide the escutcheon(7) onto bracket. Insert the extension(26) of the towel ring kit(25) onto bracket, orienting the screw hole of extension downward. Tighten the screw(9) with the hex wrench(8) to secure the towel ring kit.



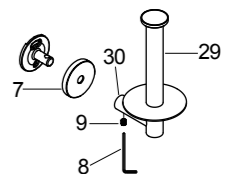
How To Install The Robe Hook

Slide the escutcheon(7) onto bracket. Insert the extension(28) of the robe hook kit(27) onto bracket, orienting the screw hole of extension downward. Tighten the screw(9) with the hex wrench(8) to secure the robe hook kit.



How To Install The Toilet Paper Holder

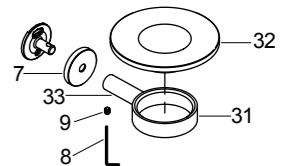
Slide the escutcheon(7) onto bracket. Insert the extension(30) of the paper holder kit(29) onto bracket, orienting the screw hole of extension downward. Tighten the screw(9) with the hex wrench(8) to secure the paper holder kit.



How To Install The Soap Dish

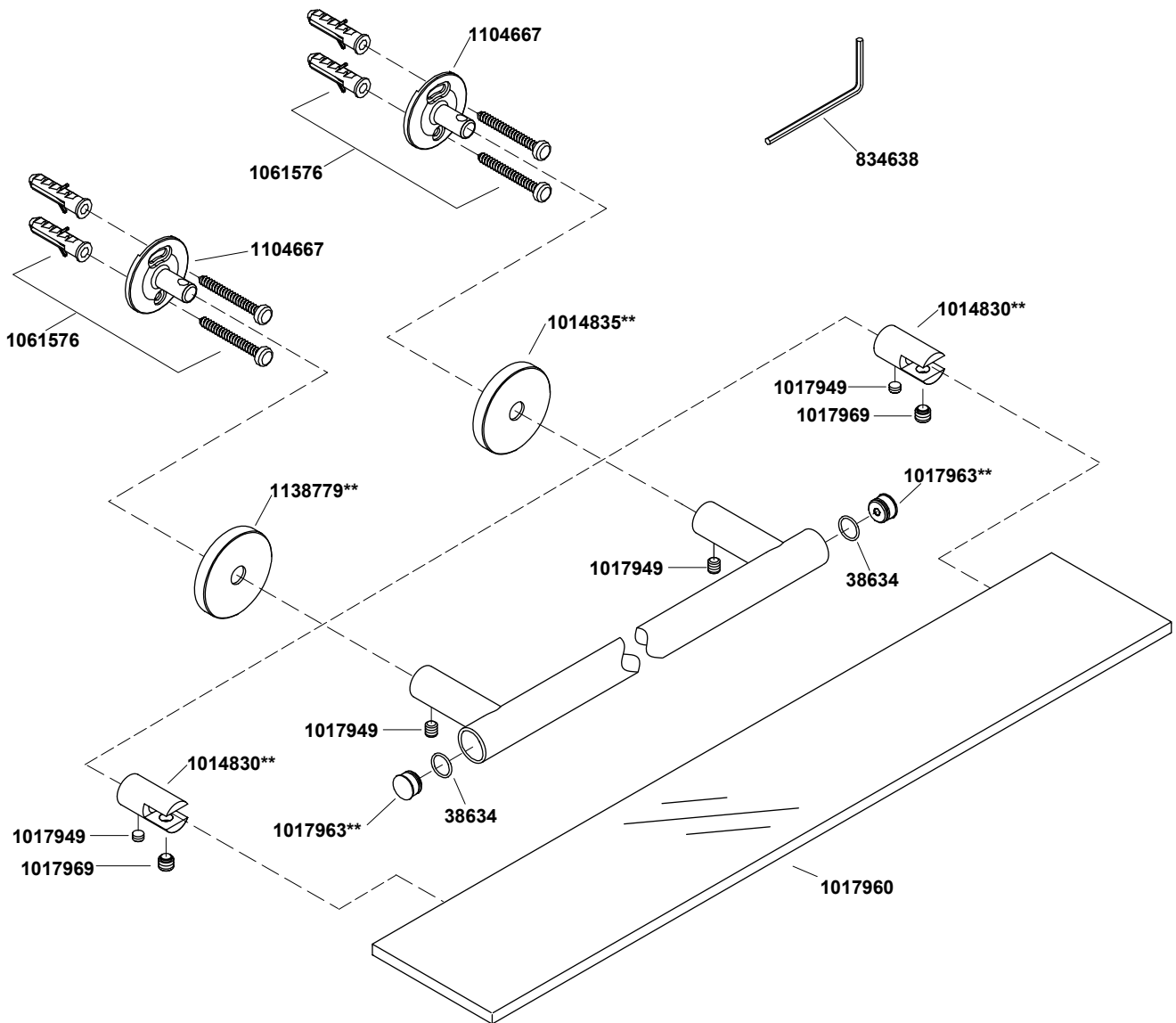
Slide the escutcheon(7) onto bracket. Insert the extension(33) of the soap dish kit(31) onto bracket, orienting the screw hole of extension downward. Tighten the screw(9) with the hex wrench(8) to secure the soap dish kit.

Remove the dish(32) from soap dish kit for cleaning as required. After cleaning, assemble it back to the soap dish kit.



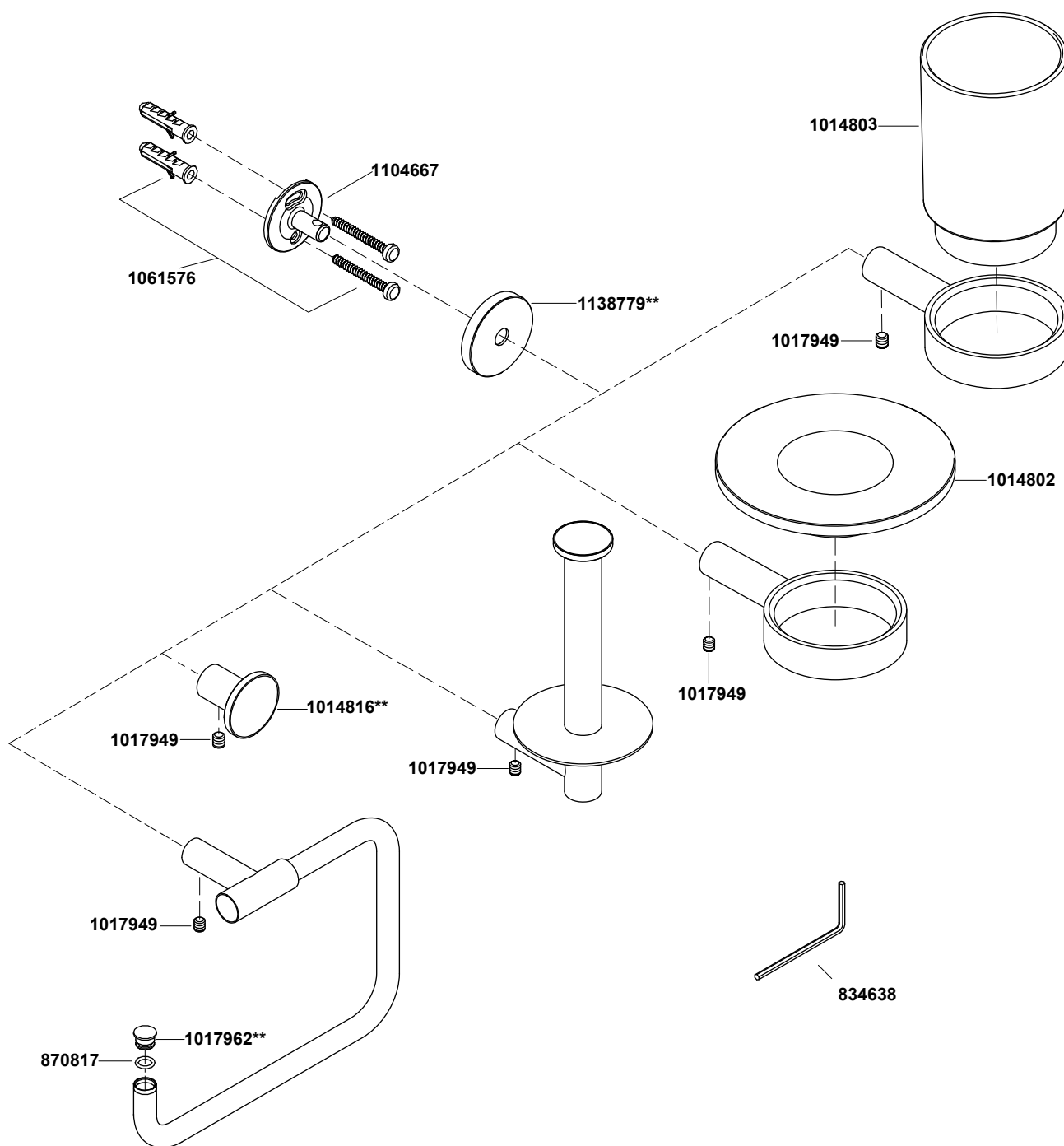
14451T 24" Towel Bar

14455T Glass Shelf



**Color code must be specified when ordering

- 14456T Towel Ring
- 14458T Robe Hook
- 14459T Toilet Paper Holder
- 14461T Soap Dish
- 14463T Tumbler Holder



**Color code must be specified when ordering