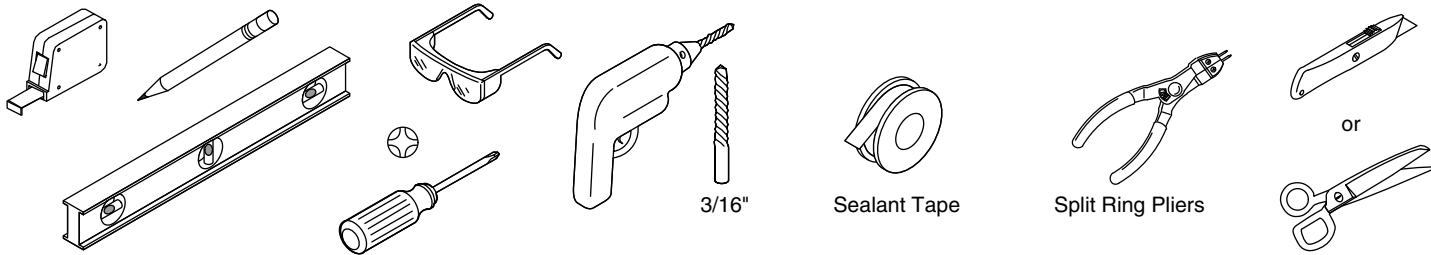


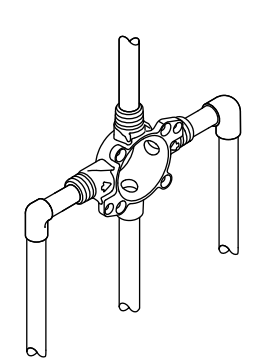
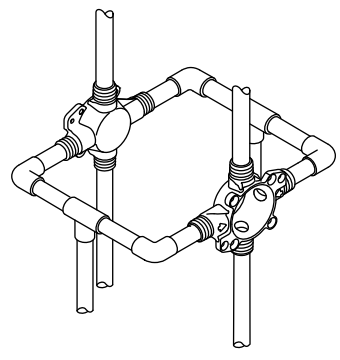
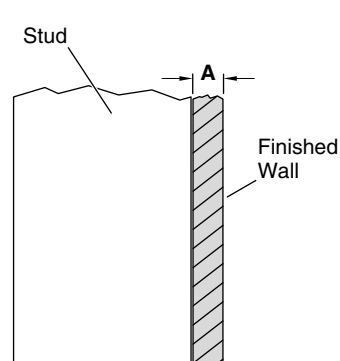
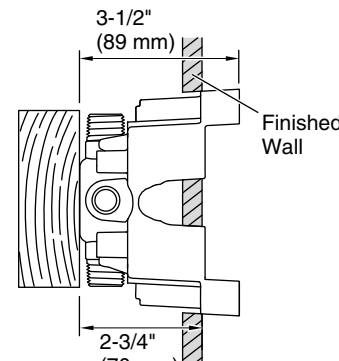
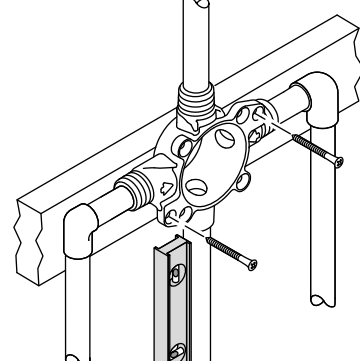
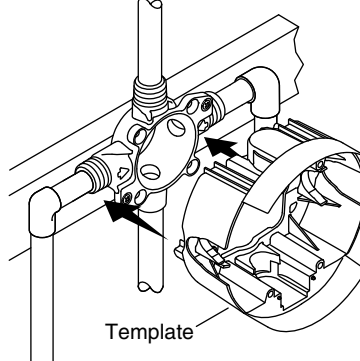
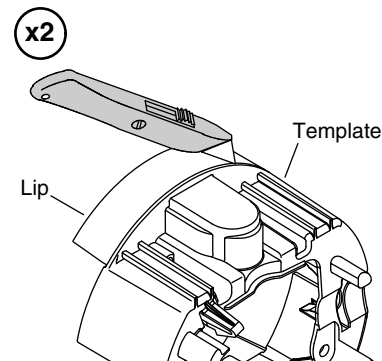
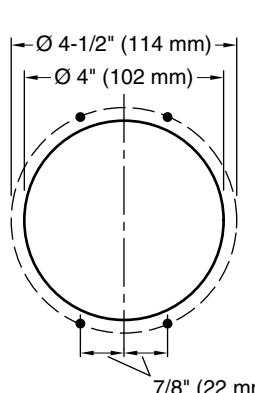
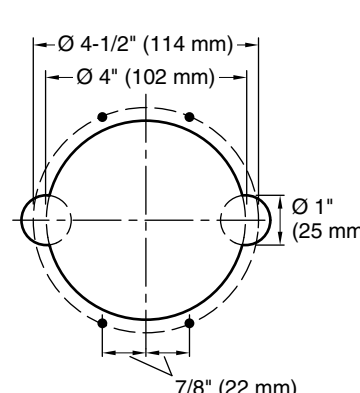
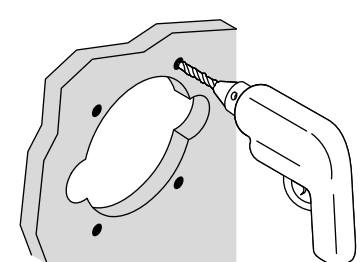
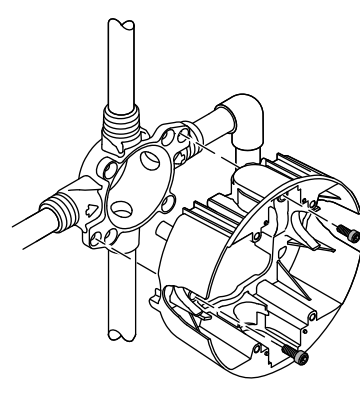
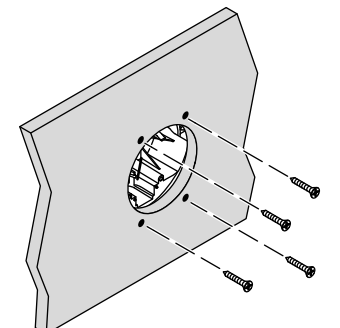
# KALLISTA®

## Installation Guide

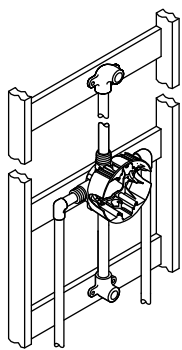


**Plus:**

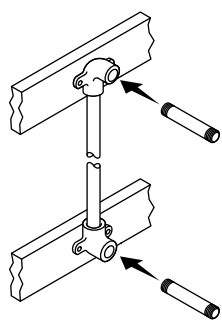
- Standard Woodworking Tools and Materials
- Standard Plumbing Tools and Materials
- 1/2" NPT Pipe Nipples or Copper Tube

<p>Observe all local plumbing and building codes. <b>Record your model number below for future reference:</b></p>	<p><b>Important Information</b> Do not install a shut-off device on either outlet of this valve. The installation of any such device may create a cross-flow condition at the valve and affect the water temperature.</p>	<p><b>NOTICE:</b> Only apply silicone-based lubricants to the valve.</p>	<p>The PEX connections on P193190-US-NA are designed for use with any ASTM F 1960 compliant cold expansion retaining rings and ASTM F 887 compliant PEX tubing.</p>	<p>Before installing this body, determine the full configuration of your shower layout. Custom shower layouts may require variations in the plumbing that are not covered in this installation.</p>
<p><b>1</b> Turn off the water supply. Lay out the system. Determine pipe lengths.</p> <div style="display: flex; justify-content: space-around;"> <div data-bbox="46 1351 427 1749"> <p><b>Shower Only</b></p> </div> <div data-bbox="427 1351 812 1749"> <p><b>Bath and Shower</b></p> </div> </div>	<p><b>NOTICE:</b> Use only 1/2" (5/8" OD) copper pipe (type L or M) between the valve and bath spout. Using other materials may cause water to flow from the showerhead and bath spout at the same time.</p>	<p><b>2</b> Install the outlet and inlet pipes to the valve body for your installation configuration.</p> 	<p><b>3</b> Configure back-to-back installations as shown.</p> 	
<p><b>4</b> If <b>A</b> is 3/4" (19 mm) or more, go to step 5. If <b>A</b> is less than 3/4" (19 mm), go to step 8.</p> 	<p><b>5 Thick Wall Installations:</b> Mount the valve body support 2-3/4" (70 mm) to 3-1/2" (89 mm) from the front of the finished wall.</p> 	<p><b>6</b> Mount the valve body plumb using two #8 flathead screws.</p> 	<p><b>7 Snap on</b> the template (screws are not needed). Go to step 9.</p> 	<p><b>8 Thin Wall Installations:</b> Cut the lip from the template with a utility knife or scissors.</p> 
<p><b>Standard Models:</b> Cut a hole at the valve location. Mark the screw locations.</p> 	<p><b>Models with Stops:</b> Cut two holes for the stops. Cut a hole for the valve. Mark the screw locations.</p> 	<p><b>Both Models:</b> Drill four 3/16" holes at the marked screw locations.</p> 	<p>Attach the template to the valve with two panhead screws.</p> 	<p>Attach the template/valve to the back of the wall with four #8 panhead sheet metal screws.</p> 

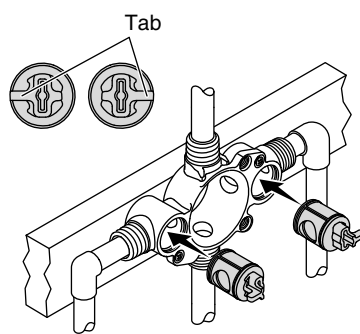
**9 All Installations:** Install support for the pipes and other components as needed.



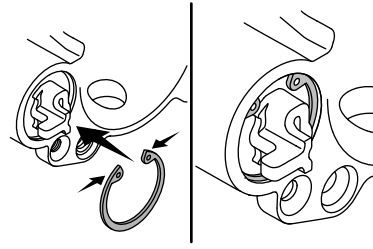
**10** Install temporary nipples in the shower and spout elbows as needed.



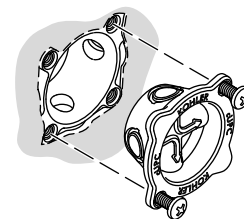
**11 Models with Stops:** Install the stops. Orient the tab as shown.



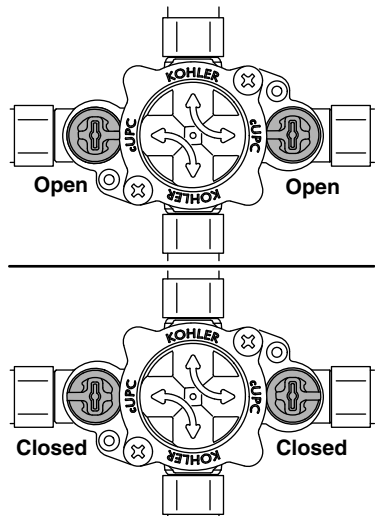
**12 Models with Stops:** Install the split ring.



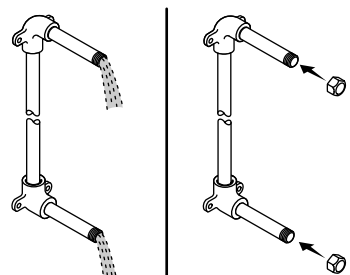
**13 All Installations:** Install the test cap (if available) or install the cartridge following the cartridge instructions.



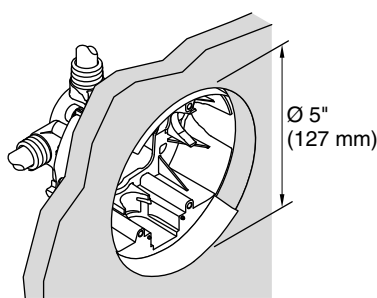
**14 Models with Stops:** Open the stops.



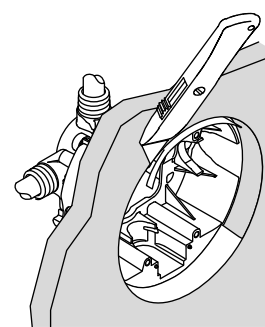
**15** Flush the pipes, turn off the water. Cap the outlets. Turn on the water. Check for leaks.



**16** If the finished wall is not installed, use the template to determine hole location in the finished wall.



**17** Trim the template flush with the finished wall.



**FIVE-YEAR LIMITED WARRANTY**

All Kallista products carry Kallista's five-year limited warranty unless otherwise noted.\*

Kallista products are warranted to be free of defects in material and workmanship for five years from the date of installation.

Kallista will, at its election, repair, replace or make appropriate adjustment where Kallista inspection discloses any such defects occurring in normal usage within five (5) years after installation.

Kallista is not responsible for removal or installation costs.

Damages due to improper handling, installation or maintenance are not considered manufacturing defects and are not covered by this warranty. This warranty is valid for the original consumer purchaser only.

To obtain warranty service, contact your Kallista Authorized Showroom.

Products must be maintained and cleaned in accordance with the care and cleaning instructions provided by Kallista. Improper care or cleaning, including damage from the use of abrasive chemicals, will void this warranty. Gloss reduction, scratching, staining and alkaline etching of finishes over time due to use, cleaning practices or water or atmospheric conditions, are not manufacturing defects but are indicative of normal wear and tear. Use of in-tank toilet cleaners will void the warranty.

**Implied warranties including that of merchantability and fitness for a particular purpose are expressly limited in duration to the duration of this warranty. Kallista and/or seller disclaims any liability for special, incidental, or consequential damages.**

Some states/provinces do not allow limitations on how long an implied warranty lasts, or the exclusion or limitation of special, incidental or consequential damages, so these limitations and exclusions may not apply to you. This warranty gives you specific legal rights. You may also have other rights which vary from state/province to state/province.

**This is Kallista's exclusive written warranty.**

\* Kallista's Hampstead and Stafford vitreous products, stainless steel accessories, and wooden accessories carry a one-year Limited Warranty.

Questions? Problems? For additional assistance, please contact KALLISTA's Customer Service Department at 1-888-4-KALLISTA (1-888-452-5547) or kallista.com.