

Installation Instructions

安装手册

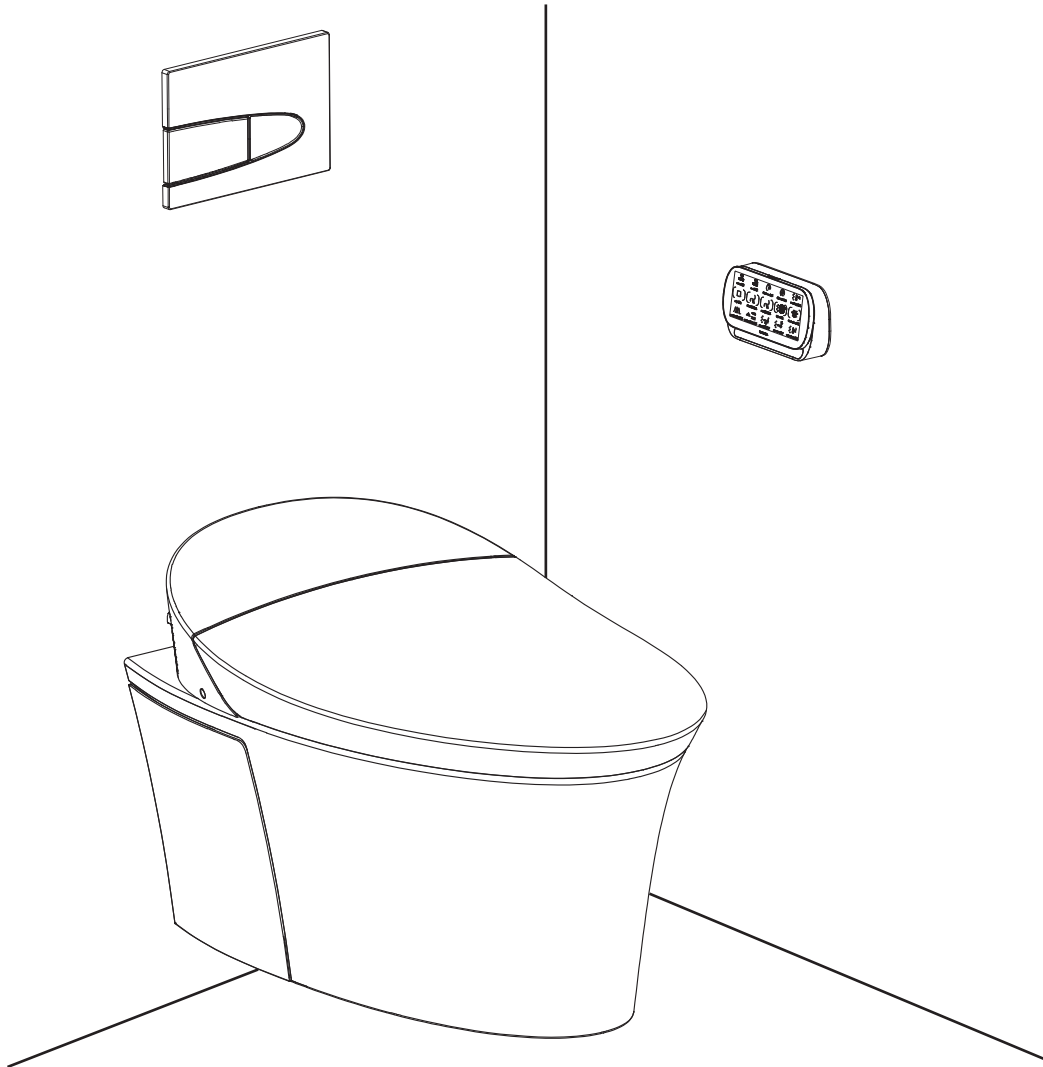
VEIL INTELLIGENT TOILET WH

维亚智能坐便器挂墙版

K-5402T-0, K-5402A-0, K-5402K-0

K-5402R-0, K-5402KR-0, K-5402MY-0

K-5402IN-ZZ-0



科勒（中国）投资有限公司

中国上海市静安区江场三路158号 邮编：200436

制造商：上海科勒电子科技有限公司

中国上海市宝山区丰翔路1955号 邮编：200444


English page 2-27


中文页码 28-53


1247364-T01-L

THE BOLD LOOK
OF **KOHLER**®

Before Installation

Note:  **WARNING: Risk of electric shock, fire or personal injury.** This product must be installed safely. Connect only to dedicated 220V~, 50Hz(5402T-0); 220V~, 60Hz(5402KR-0); 220V-240V~, 50/60Hz (5402A/K/R/MY-0, 5402IN-ZZ-0), 10A circuit protected by Ground-Fault Circuit-Interrupters (GFCI's) or Earth-Leakage Circuit-Breakers (ELCB's).

 **CAUTION: Do not use any hard setting material (cement mortar) while installing the toilet.** Thermal expansion of hard setting material (cement mortar) will damage or crash the feet of toilet. Kohler will not be responsible for any damage because of using hard setting material (cement mortar) for toilet installation.

 **WARNING: Risk of product damage.** Do not throw into the toilet what is easy to block it, such as newspaper, paper pilch, sanitary towel. Do not bump the vitreous china with great force to prevent it from damaging and leaking. Do not use the product in the water below 0°C.

 **WARNING: Risk of electric shock.** Disconnect power before servicing.

WARNING: Risk of electrical shock. Connect only to a properly-grounded, grounding-type receptacle which is protected by a Ground-Fault Circuit-Interrupter (GFCI) or Residual Current Device (RCD).

Note: Make sure all installations adhere to applicable local pipeline installation and electrical standards.

- Observe all local pipeline installation spec and construction code.
- Observe no damage on new toilet carefully. • Power supply and water pipeline shall adopt wall mounted method.
- Please use the water supply hose accompanying with new machine. The old hose assembly shall not be used again.
- Do not use attachments not recommended by Kohler Co. such as angle valve etc.

Note: Install the product in circuit protected line for safe use since no ground fault protector is built-in the product, otherwise accidental failure of this product may cause manufacturing risk or property damage.

- Please take a few minutes to review this manual to be familiar with tools, material and installation program. Please install your toilet per proper chapter guide to avoid any unnecessary loss caused by improper installation. Except related correct installation method, please review all operation and installation guidelines.
- All information in this manual is based upon the latest product information available at the time of publication. We reserve the rights to make changes in product characteristics, packaging, or availability at any time without notice.
- The manual include related caring, clean and servicing etc. important information – please carefully save the manual.
- We appreciate your commitment to Kohler quality. Please take a few minutes to review this manual before you start installation. If you encounter any installation or performance problems, please don't hesitate to contact us. Thanks again for choosing Kohler Company.
- Before your installation, please make sure required space for installation and no influence on door swing.
- When install the product in the room, a stop valve shall be installed in a close proximity. For emergency circumstances, the water inlet valve shall be stopped without using any tools; otherwise unexpected failure may cause the loss to the customer.
- No corrosive chemical products or solution used within water tank, otherwise it will serious damage water tank accessories and cause leaking problem. Any water tank or related accessory damage caused by above detergent or solution could void the Kohler warranty.
- Do not use parts out of recommended list, such as silicon sealant etc. shall not be used for accessory installation. Any damage caused by using the parts out of recommended list shall void the Kohler warranty.
- Please mount the tank frame on the solid wall, and wall thickness should exceed 80mm.
- During build the front wall of tank, please take protective measure and don't squeeze the tank body directly with concrete, brick or other hard materials.

Function Illustration

- Dual-flush with auto detection function
- Anti back flow function
- Adjustable flush amount function
- Manual dual-flush function
- Adjustable water inlet level function
- Adjustable toilet height function

The advantage of auto detection wall-hung water tank

- Equipped with signal and dual manual flush function, be able to auto detect liquid and solid wastes and perform flush full or flush ECO process.
- Anti-impact, rust proof macromolecule water tank avoid any possibility of leaking problem
- Advanced water tank accessory is able to water discharge
- No influence on wall structure, superb sound-proof effectiveness
- Easy servicing, wall reconstruction is not required
- Easy and quick installation, save time and labor
- Sanitary, no residual wastes, save space
- Super thin tank body, save installation space, it is applicable for all thin mounting walls

The Concept of in-wall tank design & installation

- Compare with traditional installation method, in-wall tank provide an easier and quicker installation method, which is more completed and artistic. Meanwhile, due to concealed pipeline arrangement which makes overall display more reasonable.
- The spectacular advantage of in-wall tank is that the installation of toilet shall not be limited in any location. It shall be hung anywhere which could make the whole bathroom arrangement more reasonable and pleasant, make the most use of space.

Required tools and materials

- Open-end/adjustable wrench/19mm box wrench
 - Blade
 - File
 - Hack-saw
- Impact drill
 - Leveler
 - Cross head screwdriver/
Torx screwdriver T10
 - Isolating tape
- Tapes
 - PTEF tape
 - Electrical insulation conduits
 - Grease

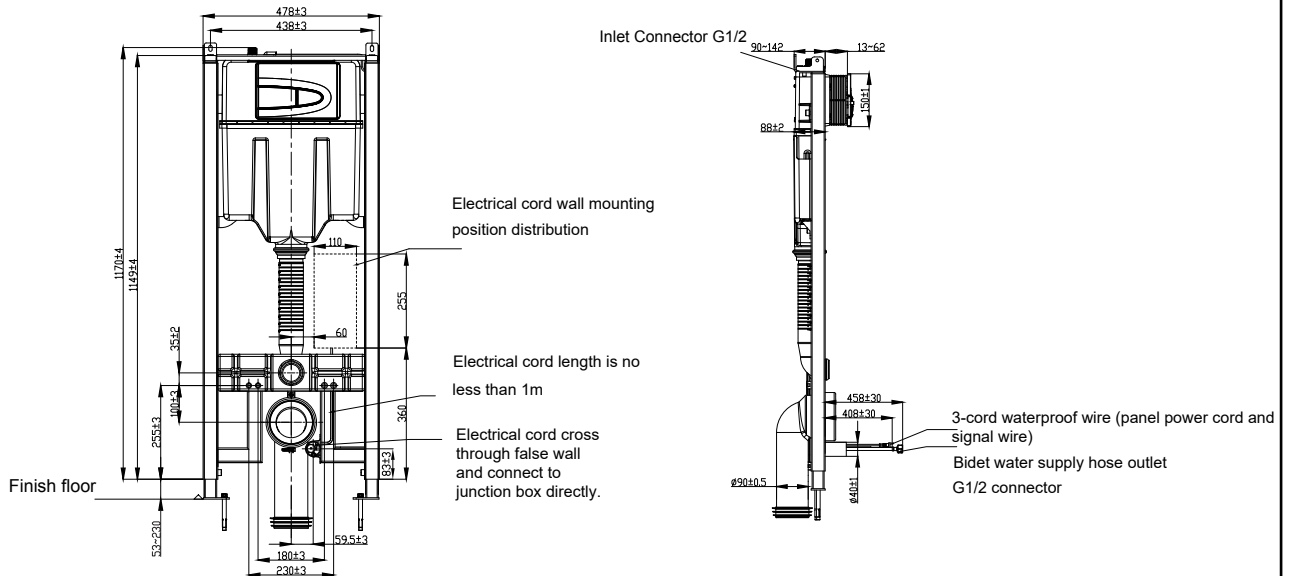
Dimension Drawing

1mm²-2.5mm² hard cord should be reserved as power input during the wall construction, In the circuit 220V~, 50Hz(5402T-0); 220V~, 60Hz(5402KR-0); 220V-240V~, 50/60Hz(5402A/K/R/MY-0, 5402IN-ZZ-0), 10A minimum Ground-Fault Circuit – Interrupter(GFCI) or Earth Leakage Circuit-Breaker(ELCB) is required, detailed position of the hard cord see below fig:

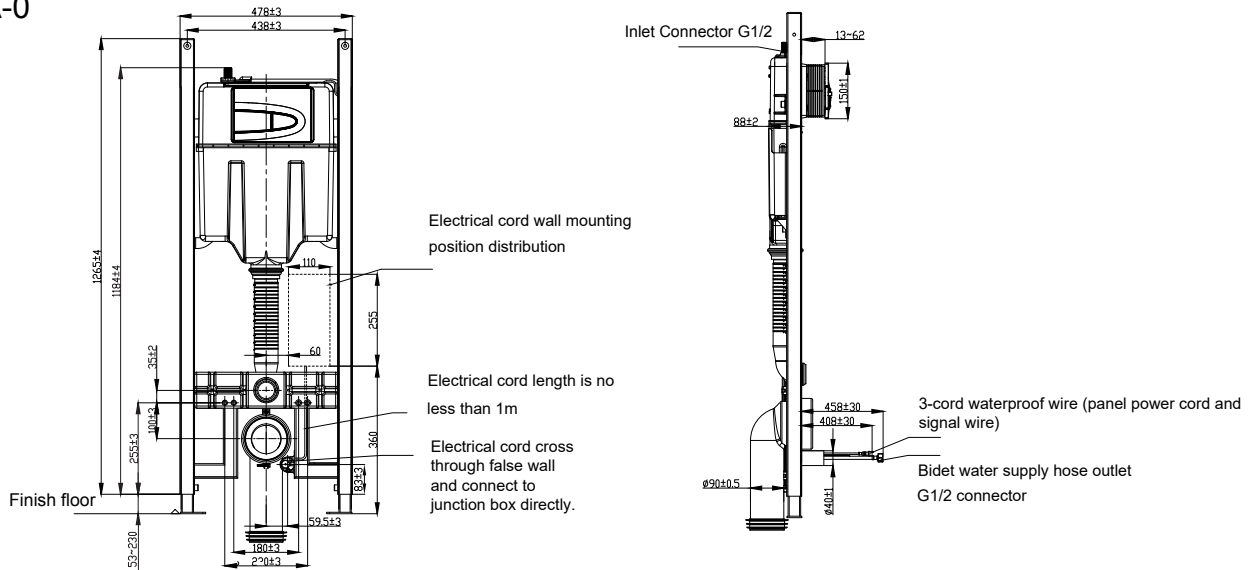
Reference value

Unit: mm

5402T/KR/K/R/MY-0, 5402IN-ZZ-0



5402A-0

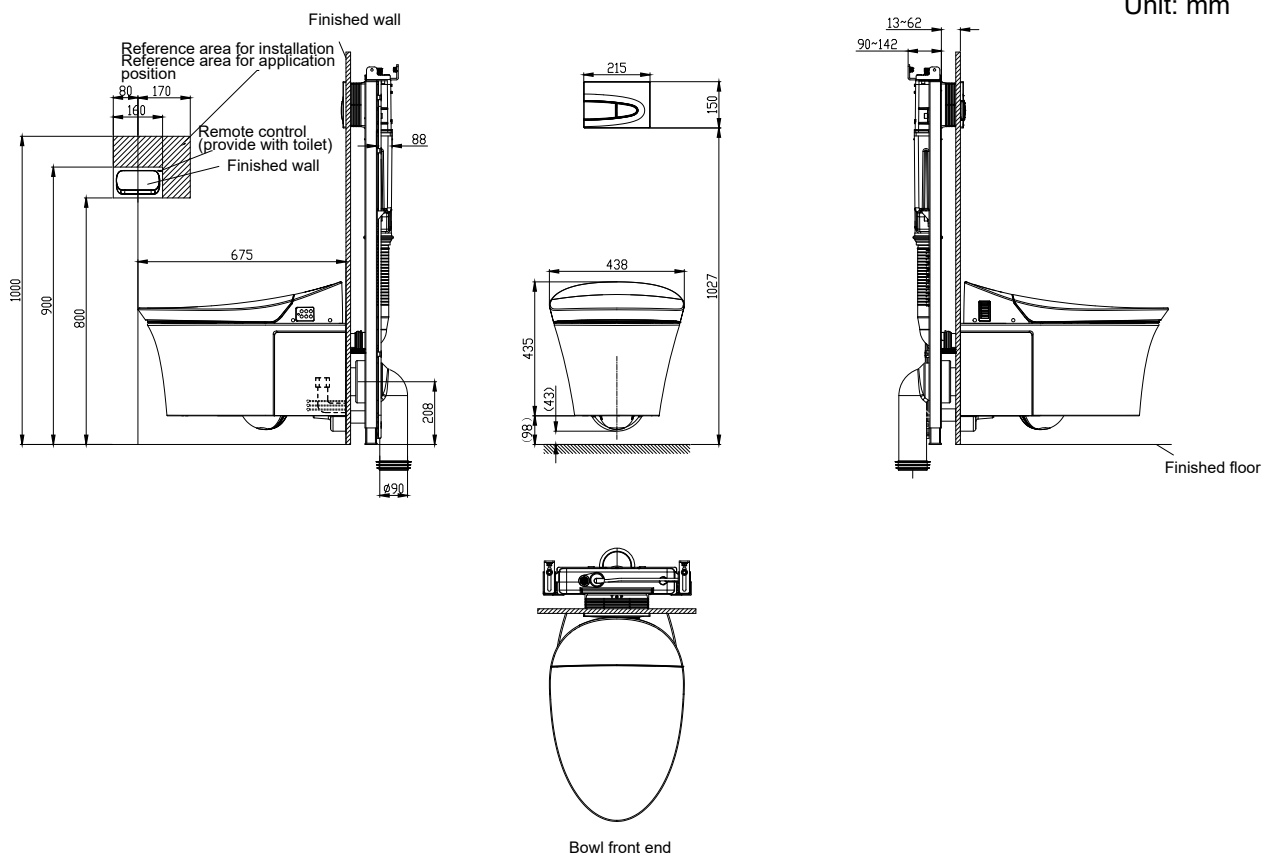


in-wall tank dimension drawing

Fig #1

Kohler reserves the right to change marked dimensions without prior notice.

Unit: mm



Toilet dimension drawing

Fig.#2

Kohler reserves the right to change marked dimensions without prior notice.

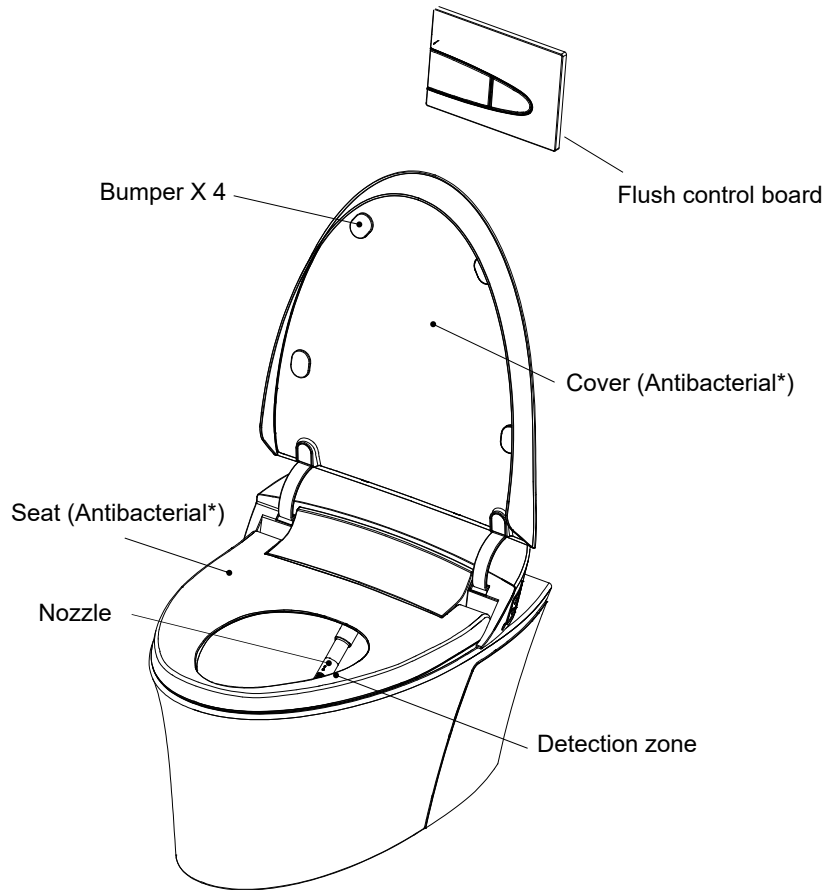
SPECIFICATION

Flush volume	Average 3.5L, Full flush 4.5L, Flush ECO 3.0L
Water efficiency grade*	Level III (only for China version)
Water pressure	Min water pressure 0.07MPa (dynamic pressure) Max water pressure 0.74MPa
Rated voltage	Refer to Configuration Matrix
Rated power*	
Product outline dimension	About 675mm x 438mm x 490mm
Weight of product	About 44kg
Inlet water temp	1-35°C
Operation Environment	1-40°C

Note: intelligence bidet specification refer to Users Guide.

* The description of water efficiency label marked on intelligent toilet: water efficiency label represents a compliance mark of the water efficiency grade etc. performance of intelligent toilet.
* Power value testing condition: dynamic pressure 0.2MPa, inlet water temp 15°C.

Overall Diagram

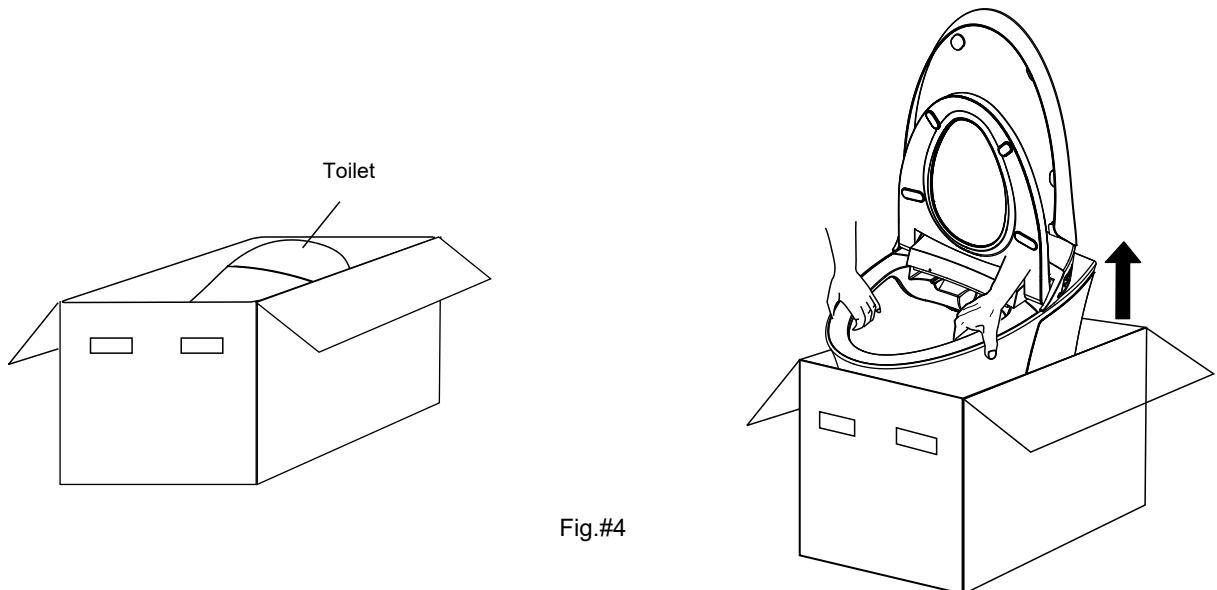


* Antibacterial: the seat and cover contains long term inorganic anti-bacteria material which will inhibit bacteria growth on surface, this does not represent the mildew and other incidental effects. The antibacterial rate is more than 90%. (Perform test in accordance with GB21551.2-2010 requirements. Testing lab: China household electrical appliances testing institute; electromechanical products testing technology center of Shanghai Entry-Exit inspection and quarantine bureau.)

Before Installation

A. Hold the edge of toilet bowl and slide out from packaging box.

WARNING: Risk of product damage or personal injury. When lift toilet up, please hold the edge of toilet. Ask for help when necessary.



B. Place an 800mmX800mm soft protective material on the floor, slide toilet out from the packing box and sit on protective material.

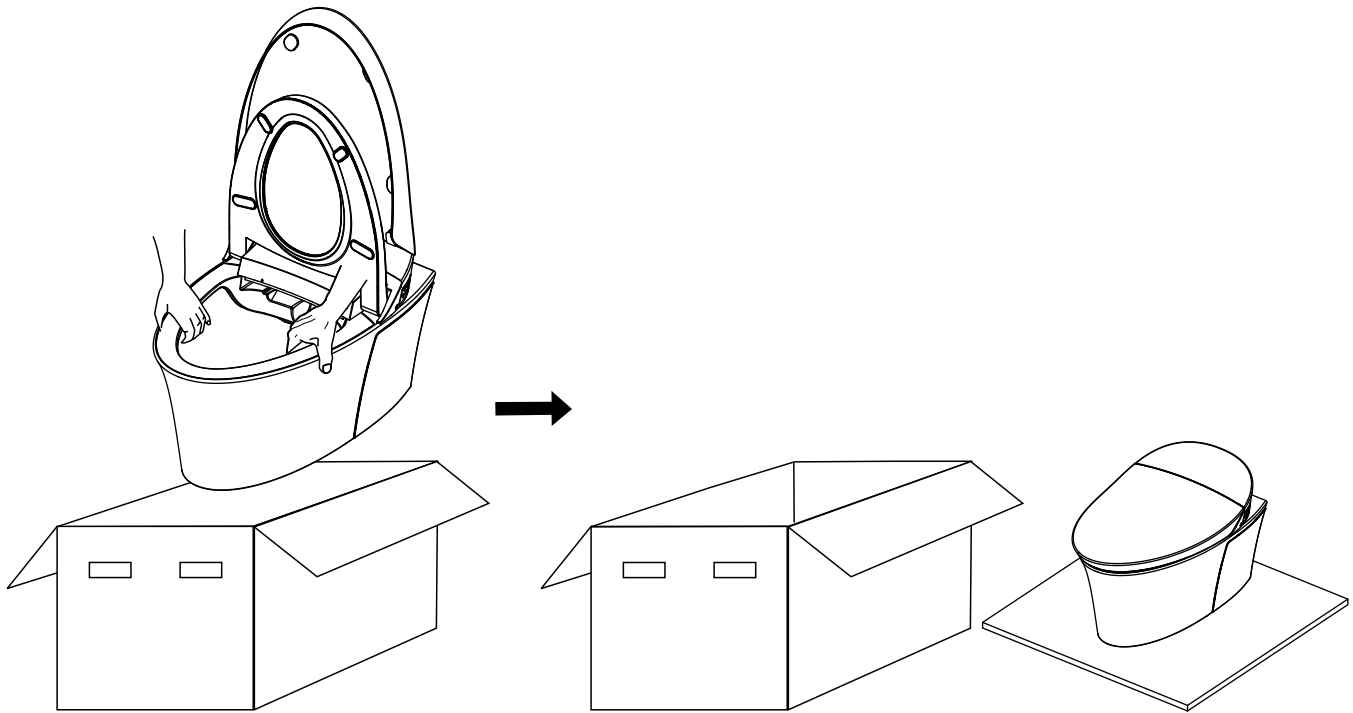





Fig.#5

Installatio

A. Remove old toilet (if there is one)

B. Warning for installation

-  **WARNING:** Risk of electric shock. Disconnect power before servicing.
Note: the power supply and water pipe of this product is designed for wall hang style. Installation method is marked in dimension drawing.
-  **WARNING:** Risk of electric shock. For plug-in installations/wall-mounted electrical supply: Connect only to a properly-grounded, grounding-type circuit which is protected by a Ground-Fault Circuit-Interrupter (GFCI) or Earth Leakage Circuit Breaker (ELCB).
-  Bathtub and sprinkler head shall be far away from electrical parts (e.g. remote controller, power receptacle etc.) if it is wall-hung style, water proof or splash proof receptacle is required. If wall-mounting power supply is adopted, require anti-water and anti-splash power receptacle.

C. In-wall tank installation

1. Remove in-wall tank from packing box. Tear paper board up inside water tank first as shown. Then remove support paper board and plug under motor assembly.

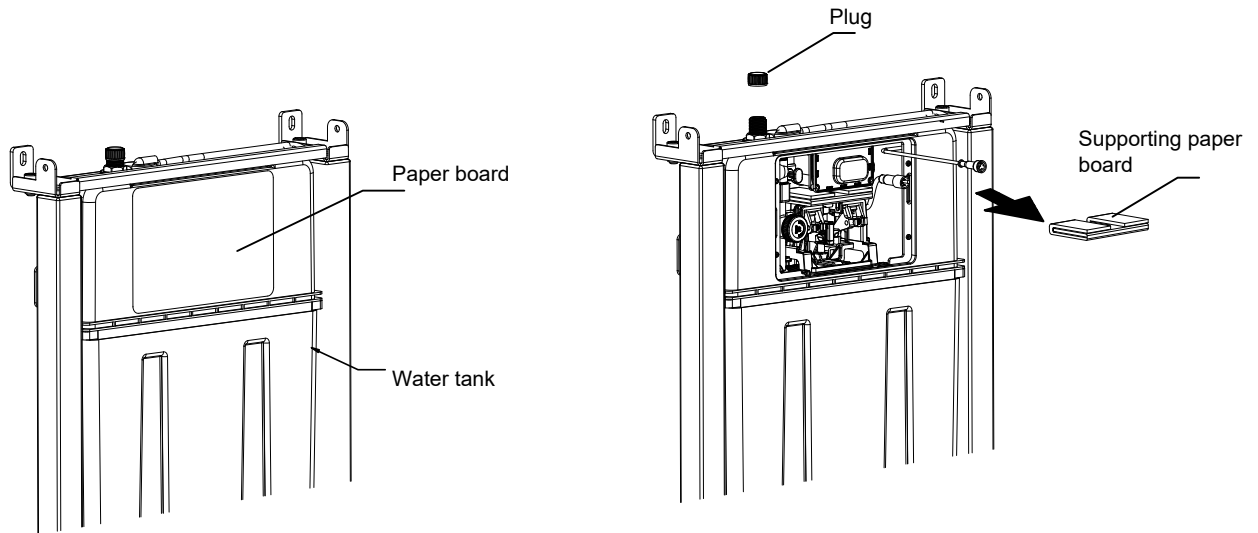


Fig.#6

2. Loose hex-head screw and adjust mounting bracket height as shown in Fig A.
Loose hex-head screw and adjust supporting feet height as shown in Fig B.
Note: mounting bracket and supporting feet shall be adjusted per customer ideal height. Use leveler to ensure the balance of steel bracket.

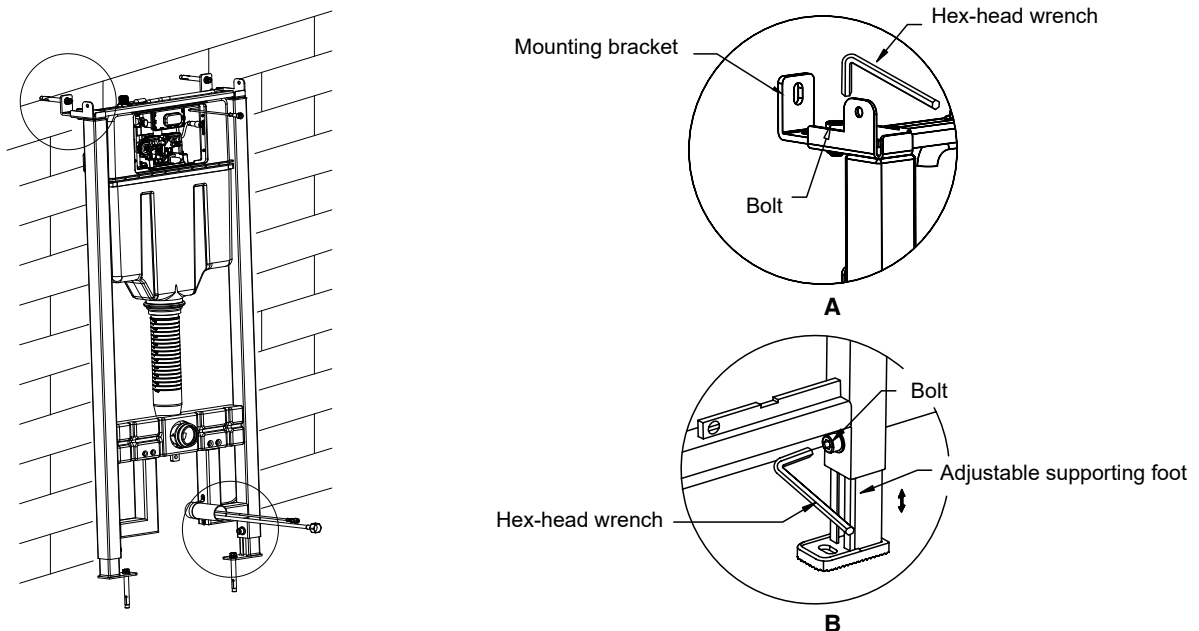
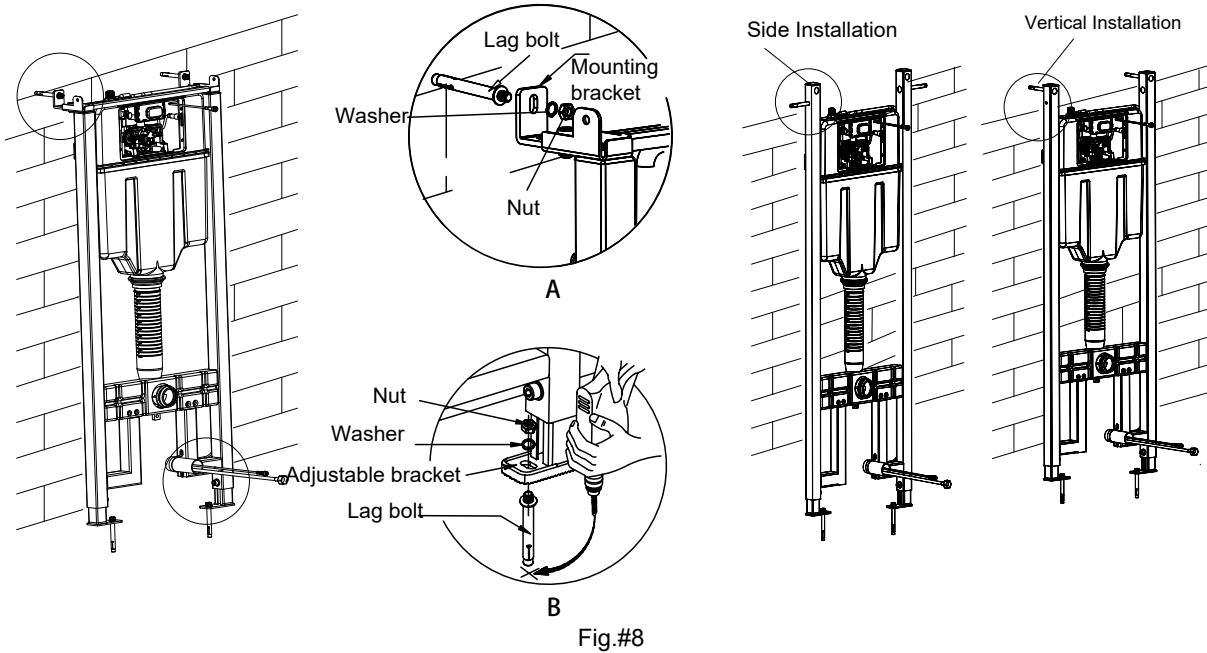
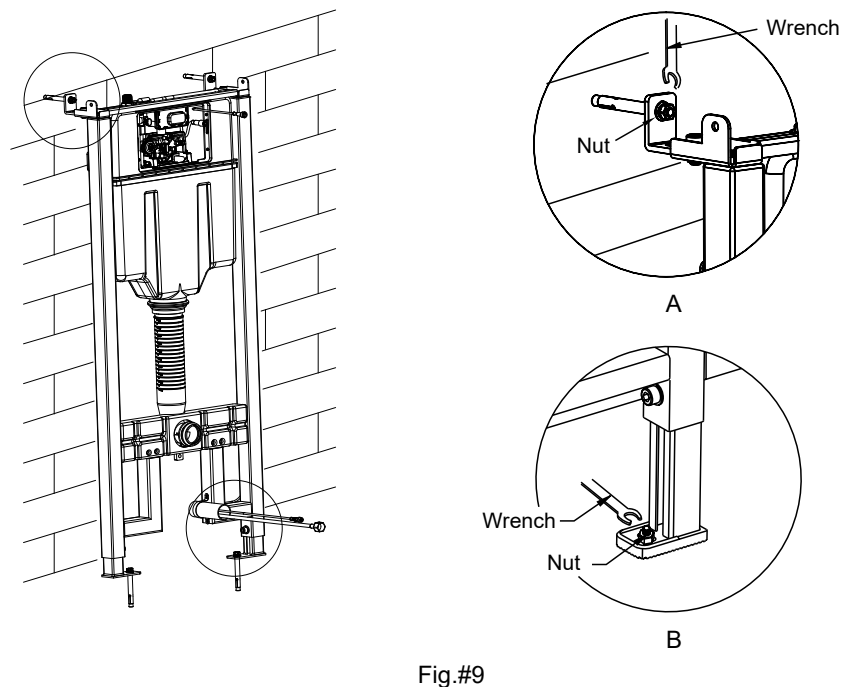


Fig.#7

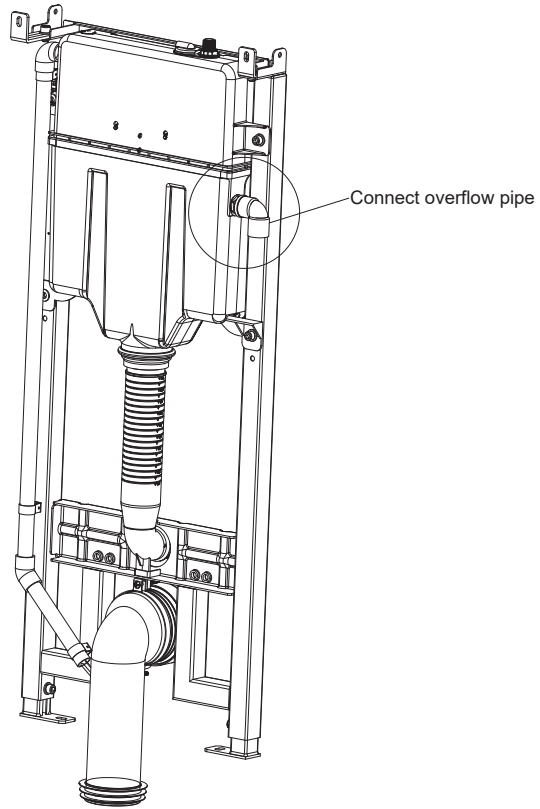
3. Drill two $\text{Å}\phi 10\text{mm}$ and 80mm deep holes by impact driller as shown in Fig A and B.
- A. Insert lag bolt anchor into the installation hole in the wall, then fasten mounting bracket by lag bolt. Adjust position and then put the washer on, tighten nut.
- B. Insert lag bolt into the installation hole in the wall, then fasten supporting bracket by log bolt. Adjust position and then insert the washer, tighten nut.
- Note: 5402A-0 Inwalltank Installation: optionC&D.



4. Tighten nut by wrench as shown in Fig A.
Tighten nut by wrench as shown in Fig B.



5.5402R-0/5402MY-0:Connect overflow pipe.



D. Floor discharge installation method

1. Three discharge pipe installation methods based on actual situation: A, B, C, adjust position by screw driver. Snap discharge pipe lower end into discharge port.

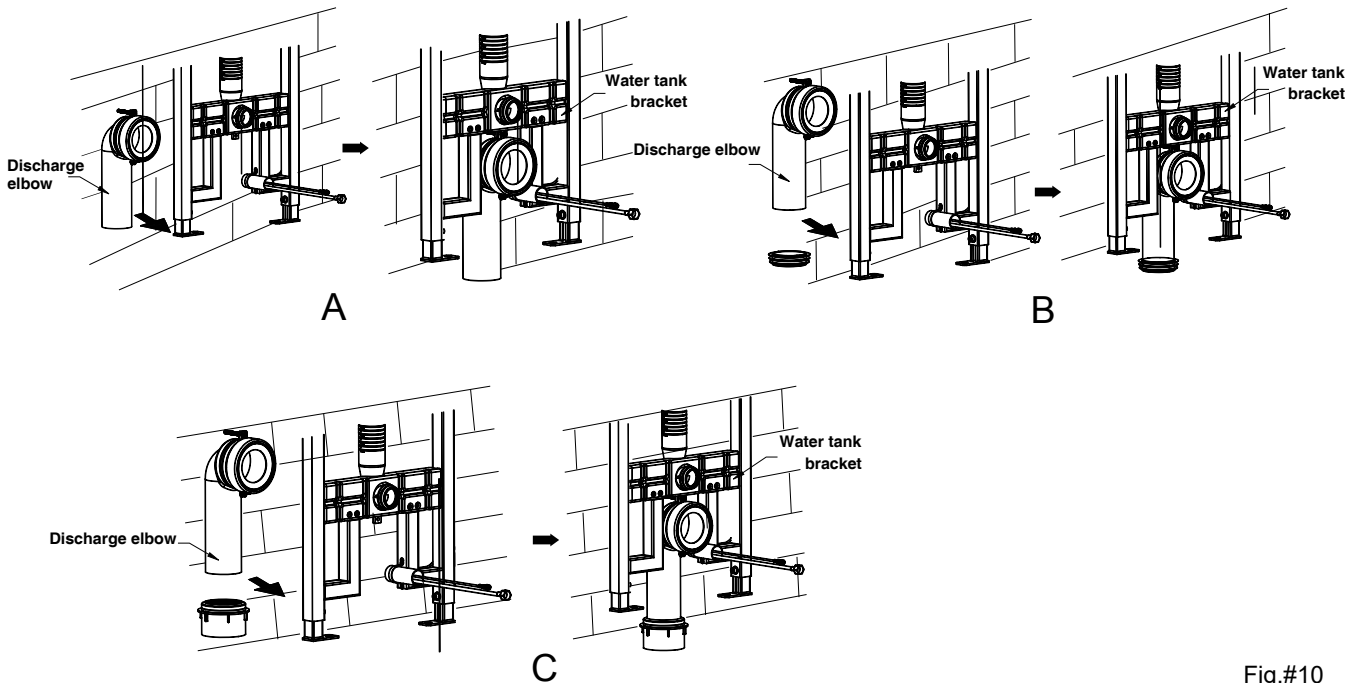


Fig.#10

2. Screw lag bolt in water tank hole as shown, then place big gasket on discharge port, small gasket on water inlet.

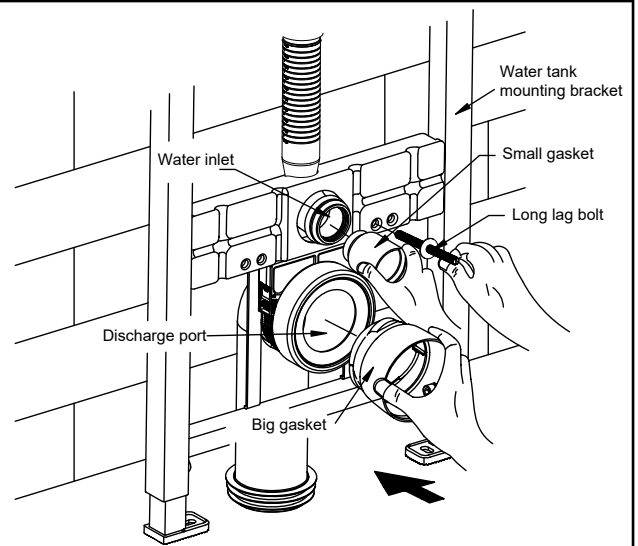


Fig.#11

3. Connect tap water braided tube on the top of water tank for water supply as shown.

Note: 1. ensure water tank internal valve is OFF.

2. Suggestion: connect a temporary rubber or plastic hose on valve, flush water supply pipeline. Ensure water is clean, no residual sand stone or fouling inside pipeline.

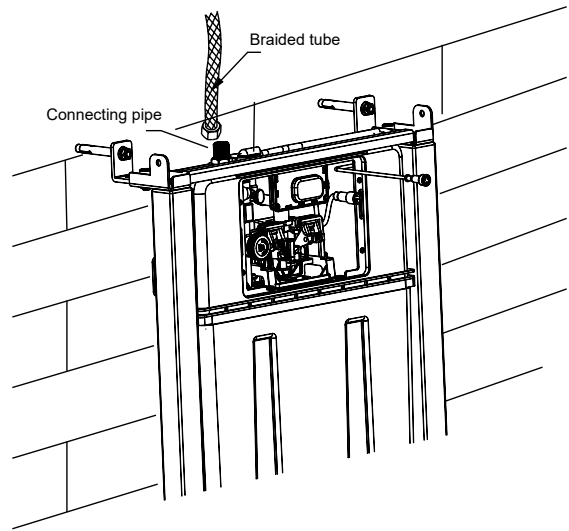


Fig.#12

4. Place square cover within protection cover within water tank. Then snap buckle into slot, tighten square cover bolts on water tank.

Note: square cover TOP indicating surface toward up side.

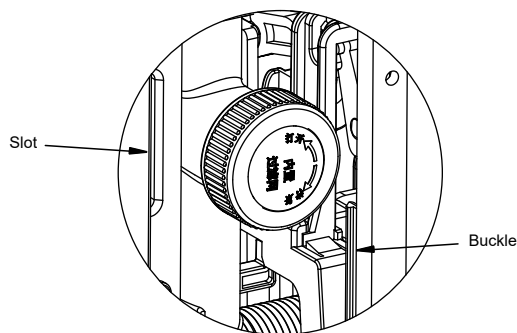
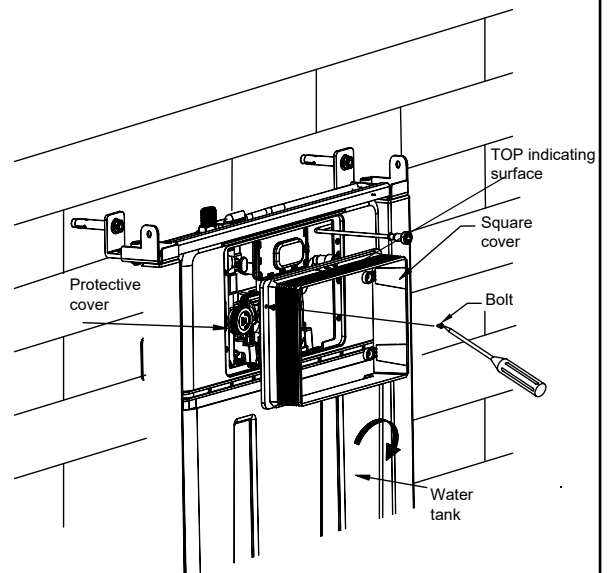


Fig.#13



E. Side-to-side arrangement

1. Install discharge pipe into discharge port directly.

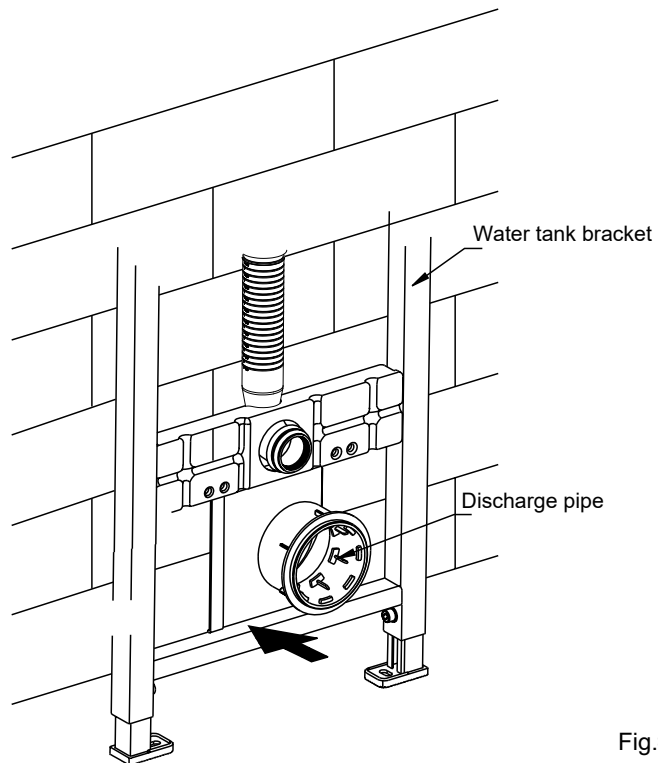


Fig.#14

2. Screw lag bolt in water tank hole as shown, then place big gasket on discharge port, small gasket on water inlet. Prepare the wall.

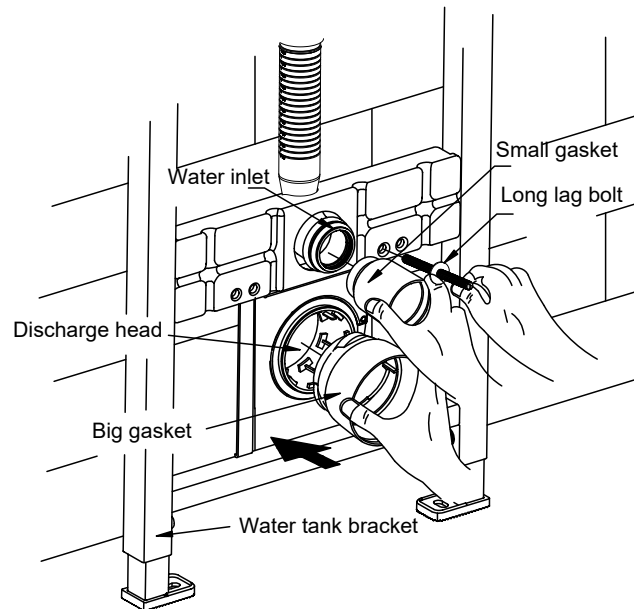
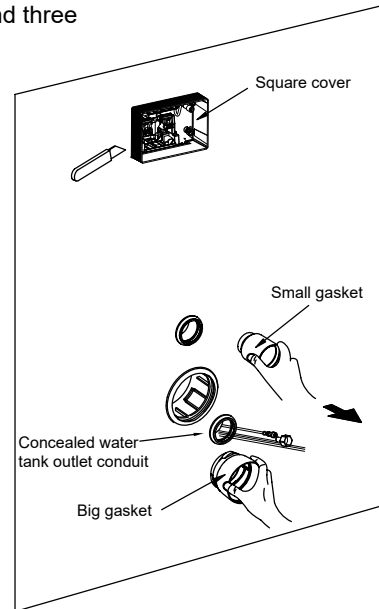
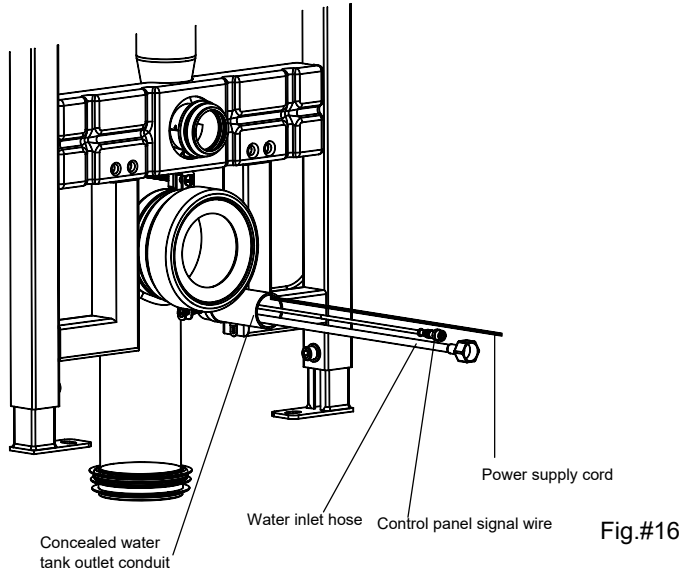


Fig.#15

3. Remove big and small gasket after finishing wall preparation, then cut the excessive square cover and concealed water tank outlet conduit off by blade.

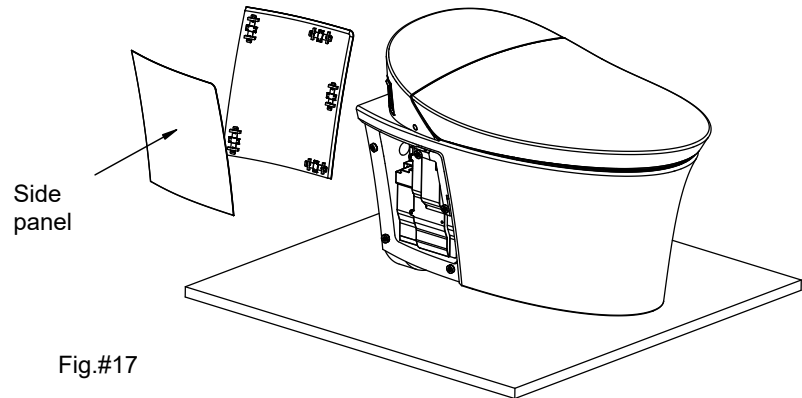
Note: 1. Ensure bolt shall be able to rotate freely when preparing the wall, washer shall be located outside the wall.

2. When preparing the wall, cross water inlet hose, control panel signal wire and three power cord through wall and under in-wall tank.

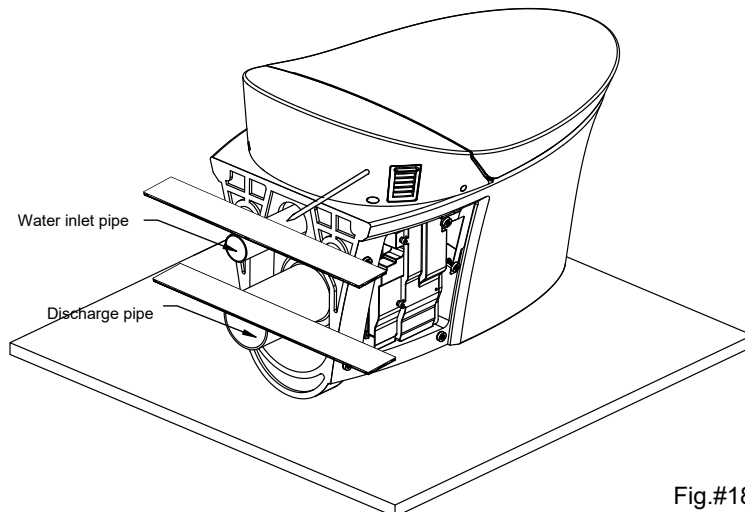


F. Toilet installation

1. Remove left/right side panel



2. Install discharge pipe, water inlet pipe on toilet as shown. Place ruler on rear discharge pipe and water inlet, use pencil to mark the position. Then adjust the space based on the rear toilet to wall discharge port situation.



3. Mark reserved space on rear end of discharge pipe and water inlet pipe, cut excessive part off. Then file the surface and chamfer the pipes.

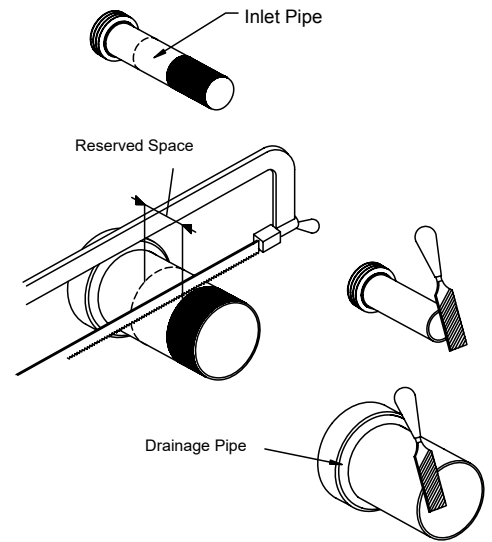


Fig.#19

4. Place big or small rubber seal on discharge pipe, water inlet, then insert on corresponding pipeline.

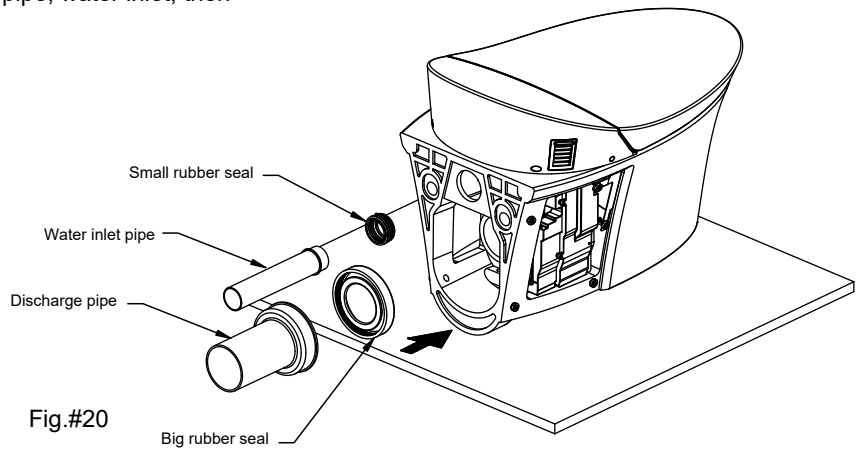


Fig.#20

5. First, stick lag bolt washer against the wall as shown, then apply grease on discharge port and discharge hole so provide an easier installation.

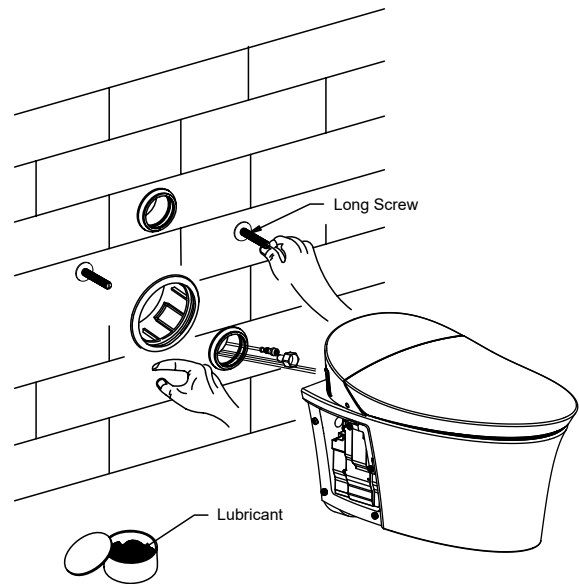


Fig.#21

6. First, place lag washer, washer on lag bolt as shown. Then tighten hex nut by ring spanner. Check toilet flatness by level. Then tighten hex-head nut.
 Note: 19mm ring spanner is suggested to tighten hex nut.

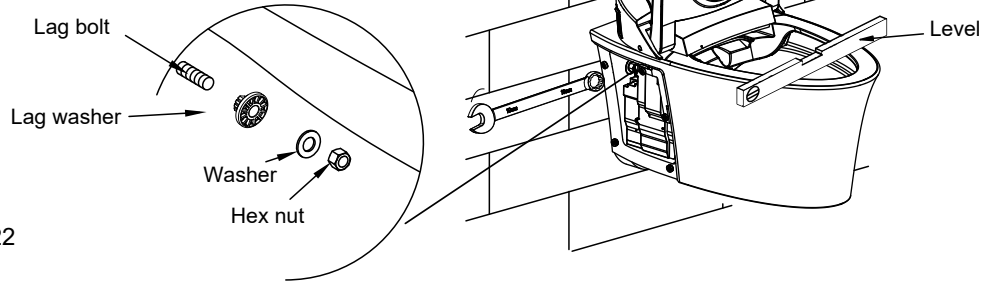


Fig.#22

7. Remove 2 cross head self-tapping screws on toilet right side, then dismantle power cord side panel. Then remove residual 3 cross head self-tapping screws, and then dismantle junction box cover.

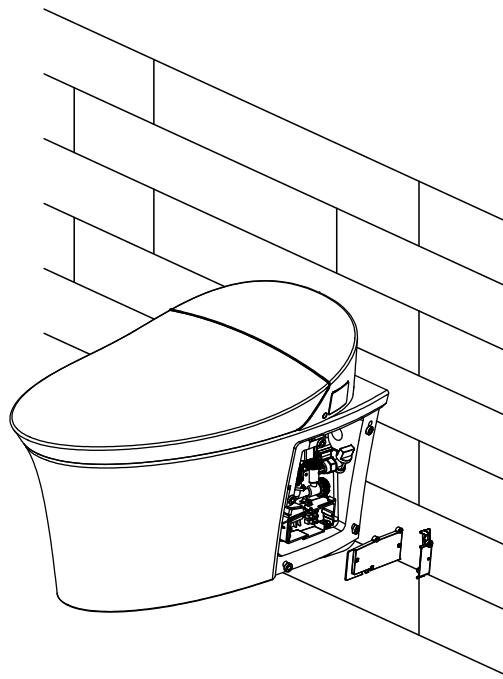


Fig.#23

8. Cross 3 power cord (hard cord) through rubber gasket from the wall, connect to junction box.
 Note: wiring order shall be L, N, neutral from top to the bottom.

- L - Live wire
- N - Natural wire
- ⊕ - Grounding wire

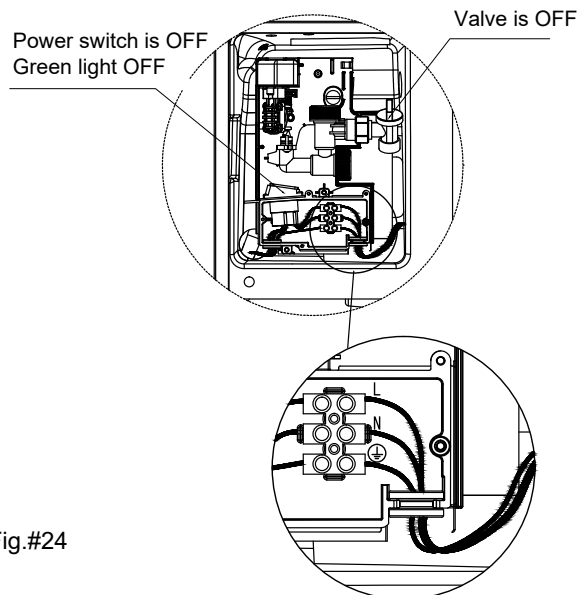


Fig.#24

9. After complete wiring work, adjust power input, and then lock junction box cover.

Note: after complete step 10, do not touch power cord.

10. Connect in-wall tank water outlet hose from bowl opening and then tighten by adjustable wrench.

11. Turn Power switch to "ON" position, then open water inlet valve.

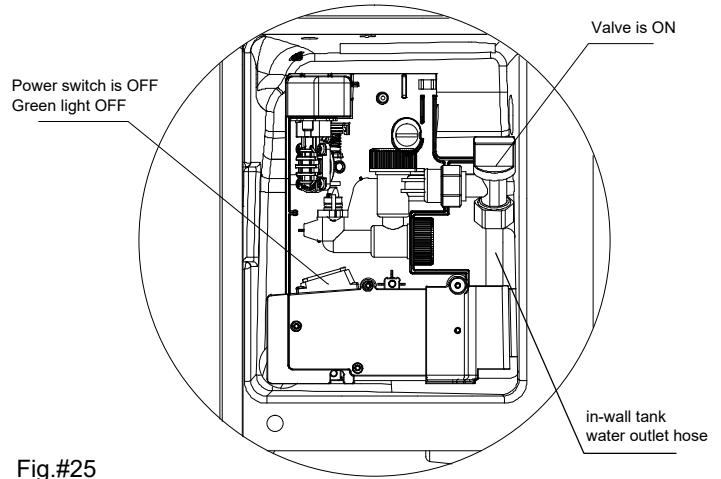


Fig.#25

12. Apply silicone gel between wall and joint to ensure toilet edge adhere to the wall. Then install left and right side panel.

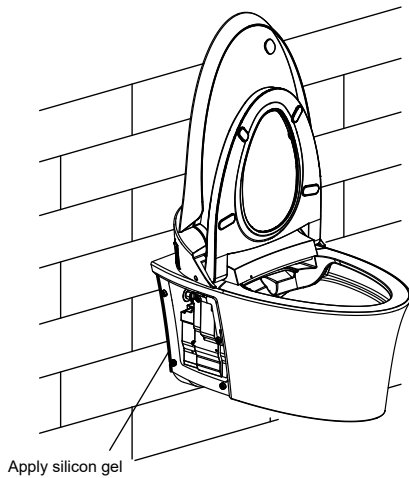
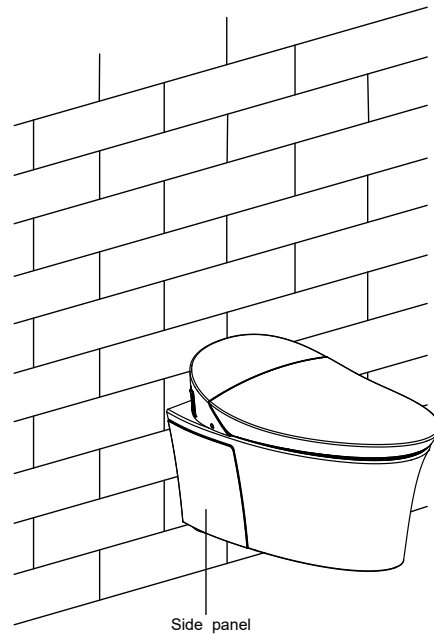


Fig.#26



G. Control panel installation

1. First, slide water splash plate into slot A and B and insert in square cover slot.

TIPS 1: Pay special attention on water splash plate when slide it into slot during installation;

TIPS 2: After water splash plate installation, locators shall be under the surface.

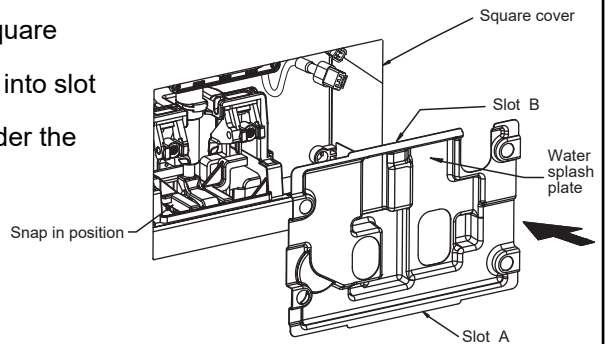
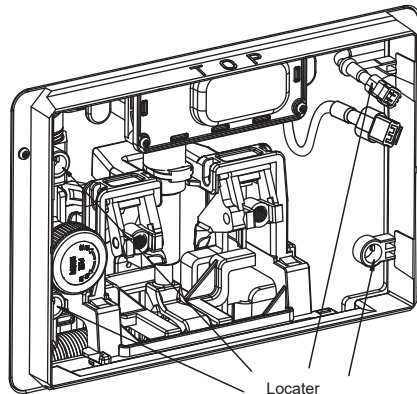


Fig.#27

H. Top button installation

1. When tighten four locknuts on supporting board, adjust to "OPEN" mark as shown.

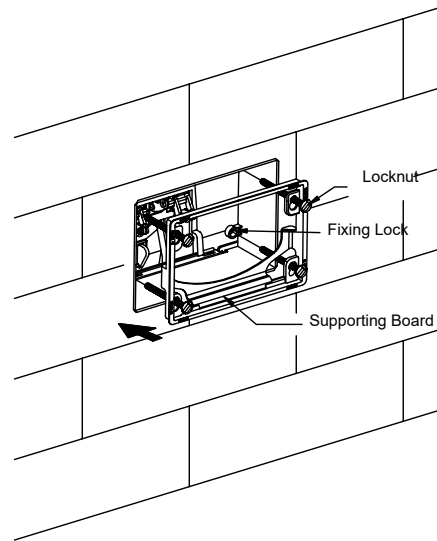


Fig.#28

2. Tighten four screws to "LOCK" mark after installing supporting board as shown.

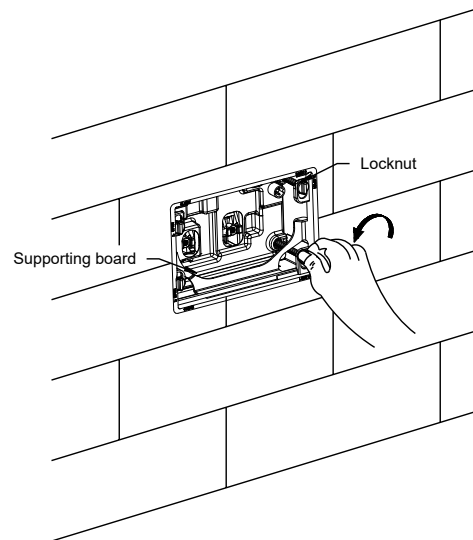


Fig.#29

3. Screw two lag bolts into bracket as shown.
Note: when screw lag bolt in, make sure the bolt is perpendicular to wall.

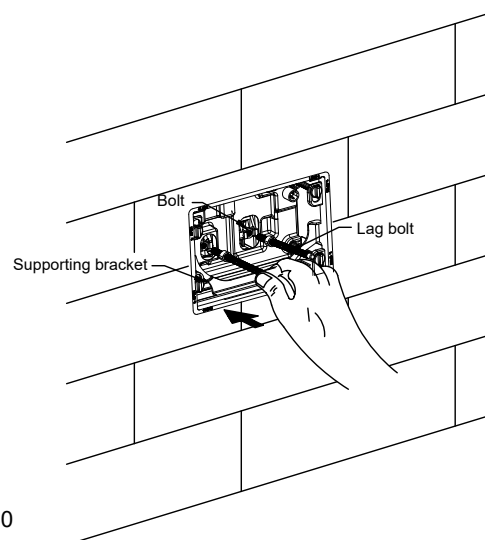


Fig.#30

4. Align control panel lag washer with snap in position as shown, then push forward and fasten. Install motor assembly signal wire and control panel signal wire.

Note: Insert Motor assembly signal wire and control panel signal wire into U type hole of water splash plate

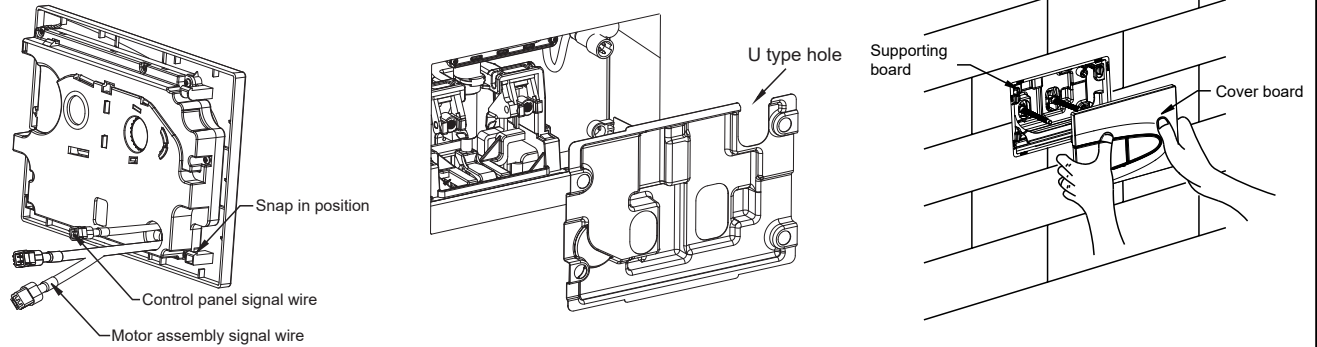


Fig.#31

5. It is ready to use when connect to power and water supply after installation.

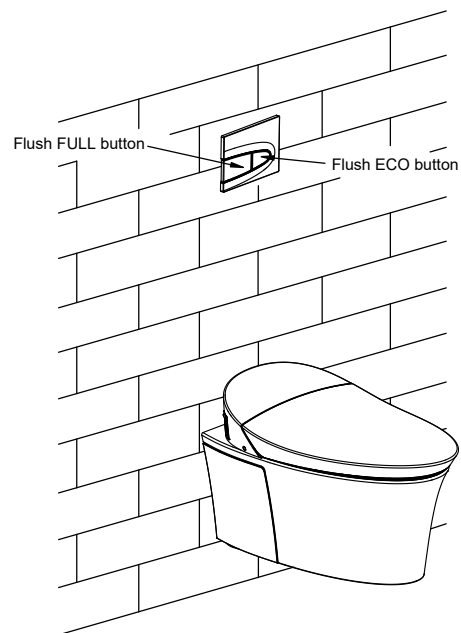


Fig.#32

Dismantle and service discharge valve

1. Dismantle control panel as shown. Hold control panel bottom by both hands, push upward to open control panel. Notice: dismantle from the bottom up. Dismantle motor assembly signal wire and control panel signal wire.

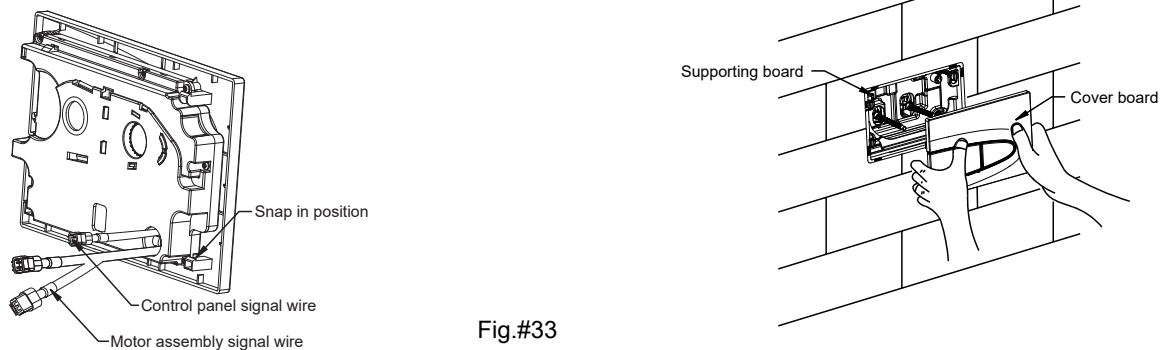


Fig.#33

2. Unscrew two lag bolts as shown.

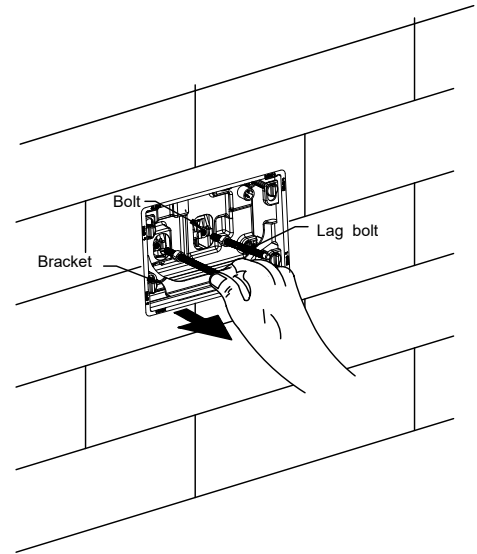


Fig.#34

3. Pay special attention when dismantle supporting board 4 lock nuts, all bolts shall align with "OPEN" mark.

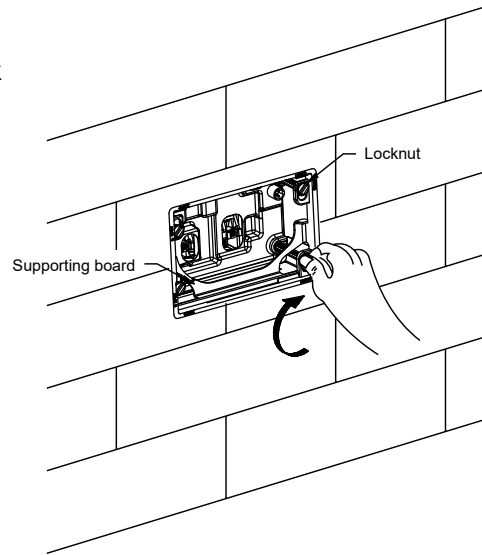


Fig.#35

4. Dismantle supporting board as shown.

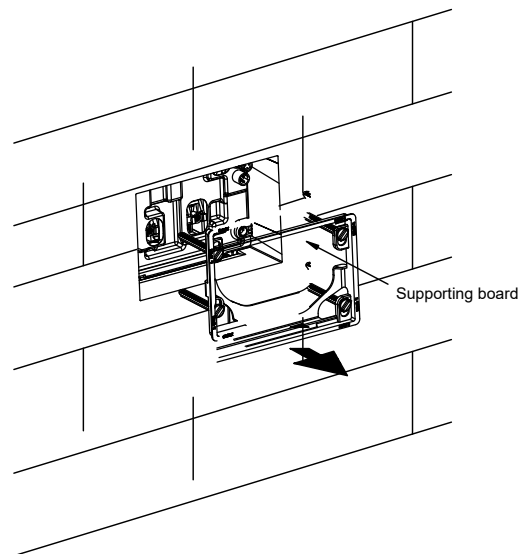


Fig.#36

5. Pull water splash plate out.

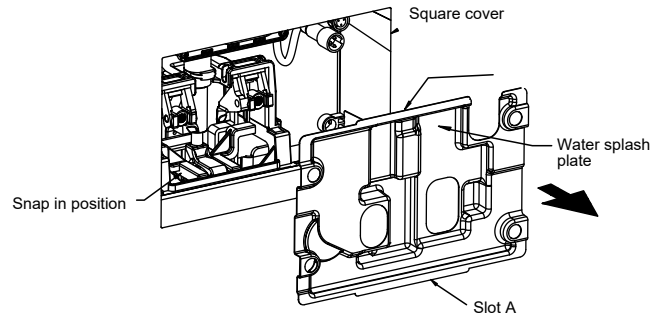


Fig.#37

6. Dismantle motor assembly snap-in mechanism, remove motor assembly.

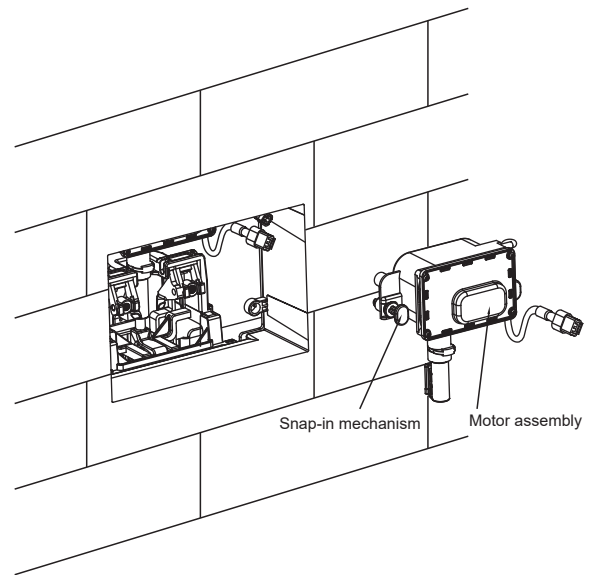


Fig.#38

7. Hold bracket top by hand as shown, then lift up to unlock the bracket.

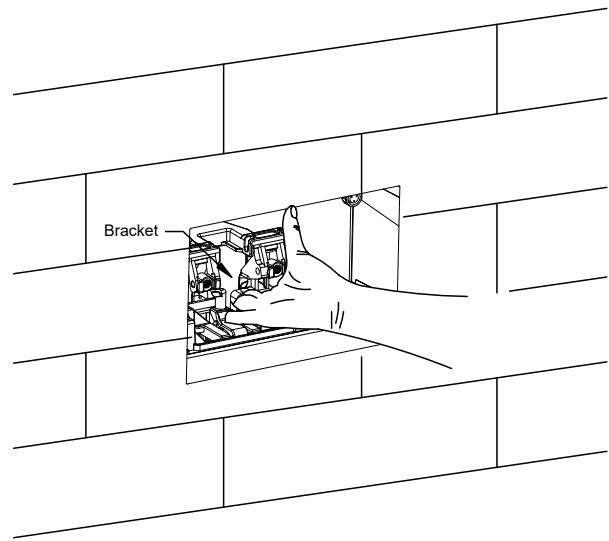


Fig.#39

8. Take discharge valve lever out from lag washers on both ends as shown.

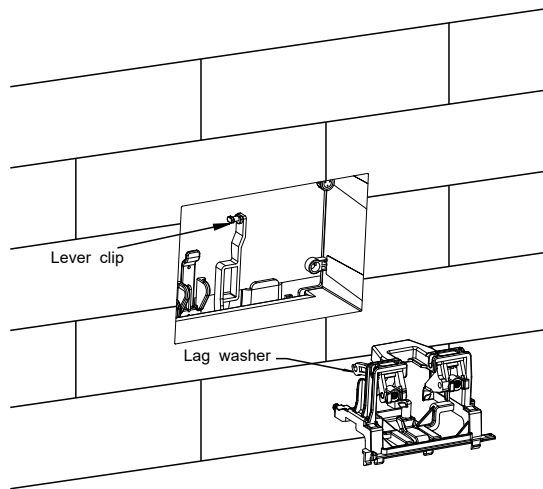


Fig.#40

9. Open/close water supply.
Rotate valve switch to open/close water supply as shown.

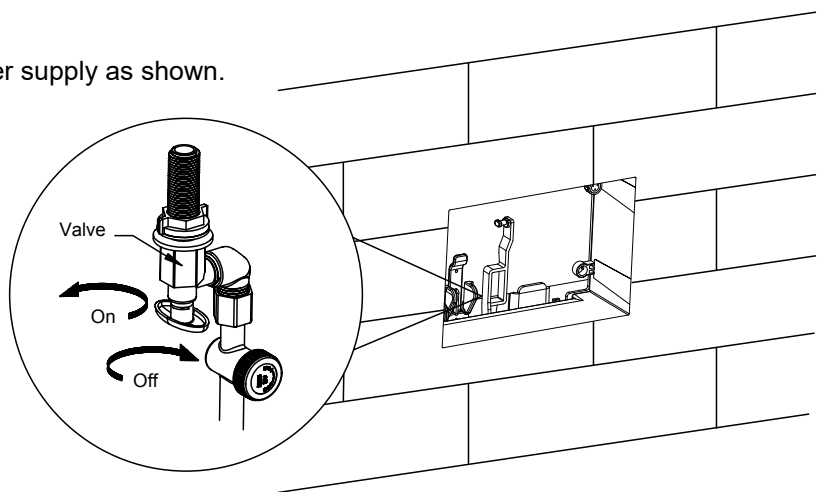


Fig.#41

10. Loose filter nut as shown, then take water inlet valve out.

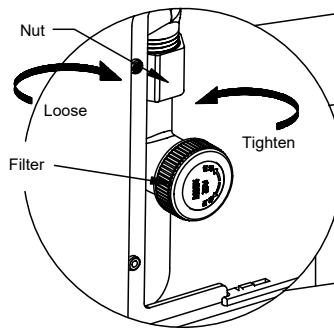


Fig.#42

11. Loose filter nut as shown, then take water inlet valve out for cleaning or adjusting.

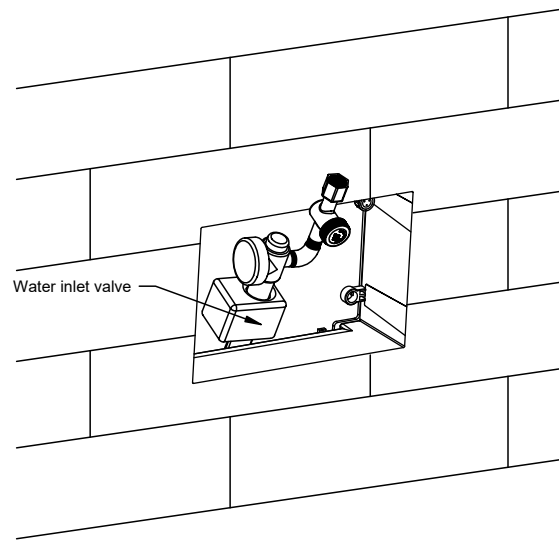


Fig.#43

12. Hold fastener by hand as shown, pull the top of fastener along the direction of arrow. Then remove fastener.

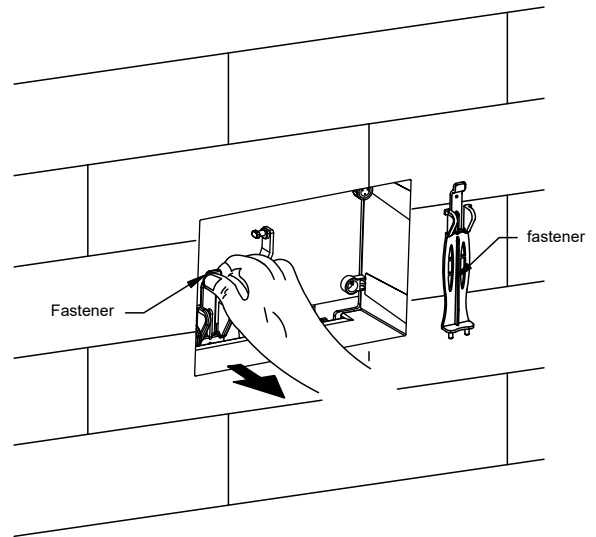


Fig.#44

13. Pull discharge valve along the arrow direction as shown to remove discharge valve.

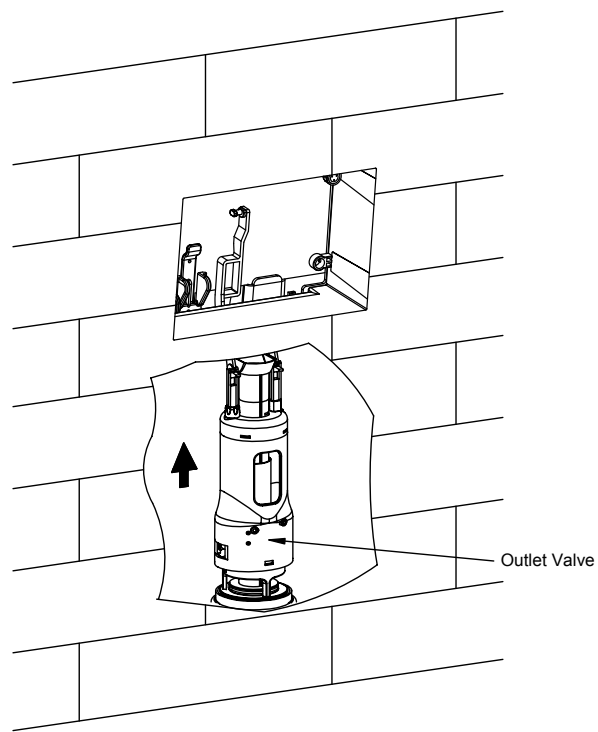


Fig.#45

14. Loosen discharge valve as shown and then take valve out for cleaning or adjusting.

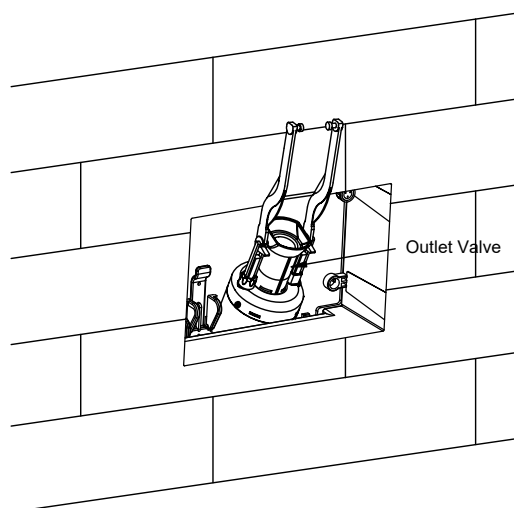


Fig.#46

I. Clean Filter

Loosen filter locknut as shown, clean filter dirt by water, then tighten locknut to original place.

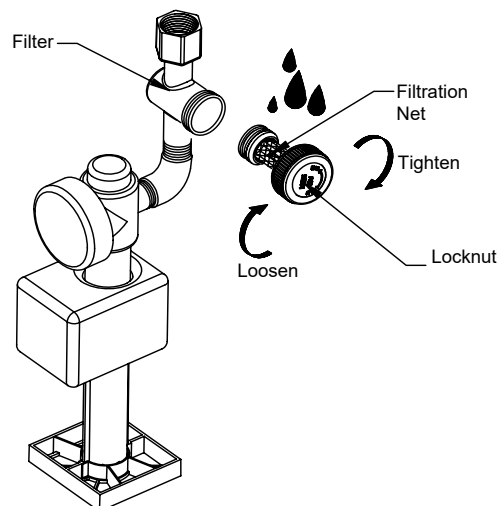


Fig.#47

J. Discharge valve adjustment

Adjust water tank flush as shown: (1) Flush full adjustment: open adjustment switch, open small hole. (2) Flush ECO adjustment: adjust float box position, flush ECO water level shall be on the bottom of float box.

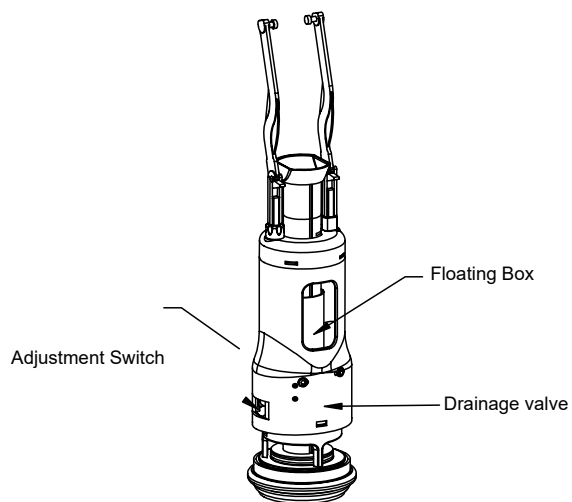


Fig.#48

K. Water inlet valve adjustment

Adjust control pole will cause water level increase or decrease within water tank as shown. When rotate control pole counterclockwise, float box step down, water level is low. When rotate control pole clockwise, float box step up, water level is high.

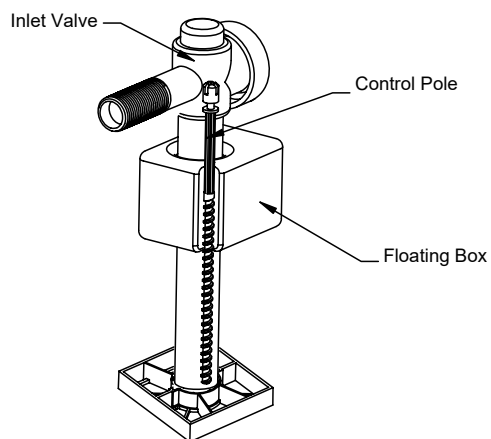


Fig.#49

Install Remote Control Docking Station

NOTE: Use proper mounting method if installation wall uses special materials (such as wooden board, fiber board).

NOTE: Do not install this appliance where it might be sprayed by water.

Select a proper position for dock station installation. This position shall be easily operate by customer when seated.

Based on remote docking station screw hole position, drill two 45mm depth holes by 6mm drill bit. Insert lag bolt anchors in the hole.

Place docking station on fasten holes.

Rip-off double-sided tape on the back of docking station.

Fasten docking station with screws.

Place bushing on the bolts.

Place remote on docking station.



Fig.#50

Steps of installation

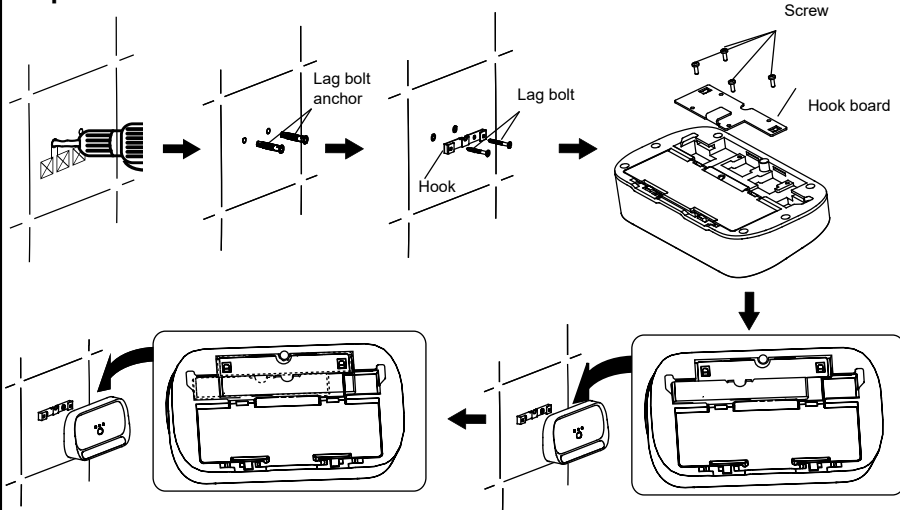
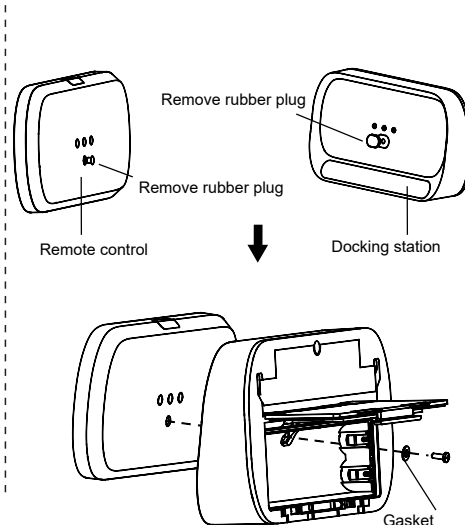


Fig.#51

Public anti-loss installation



TROUBLE SHOOTING

This troubleshooting guide is for general aid only. A Kohler Authorized Service Representative should correct any electrical problems. For warranty service, contact your dealer or wholesale distributor.

Symptoms	Probable Causes	Recommended Action
1. Toilet does not work.	A. A power failure occurred. B. Product is under protected status. C. Toilet is OFF.	A. Wait until the power is restored. B. Turn power off on switchbox and then turn on (refer to owners guide page 10 diagram). C. Turn on switch on terminal box (refer to owners guide page 10 diagram).
2. Toilet does not flush automatically	A. No water supply. B. The water supply stop is closed. C. A power failure occurred. D. Product is under protected status. E. Auto flush function is OFF.	A. Wait for restoration of water supply. B. Open the water supply stop. C. Wait until the power is restored or check owners guide "manual flush" section D. Turn on switch on terminal box (refer to owners guide page 10 diagram). E. Refer to owners guide " Remote setting guide " section.
3. Toilet does not flush completely	A. Filter screen is clogged. B. Insufficient manual button travel.	A. Refer to owners guide " Clean filter screen " section . B. Dismantle water outlet control panel, adjust manual flush adjustment rod.
4. Clean function does not operate properly	A. No water supply. B. Water supply valve close or is not fully open. C. Toilet is on OFF mode. D. Unseated or current sitting gesture is unable to detect. E. Filter screen is clogged. F. Insufficient water supply pressure.	A. Wait for restoration of water supply. B. Fully open water supply valve. C. Turn on switch on terminal box (refer to owners guide page 10 diagram). D. Please sit on again or adjust sitting gesture. E. Refer to owners guide "Clean and Replace Filter Screen" section. F. Inspect water inlet hose for any sharp bending; if it is too sharp, please adjust hose.
5. Flush function stop work during operation.	A. Auto stops flush function after continuous 5 min flushing. B. The seat does not detect any customer.	A. If needed, please press flush button again. B. Adjust sitting gesture and sit again.
6. Spray function start even unseated	A. The seat is covered by an object or the seat is wet.	A. Remove object and wipe the seat.
7. Dryer stop work during operation.	A. Dryer auto stops after continuous 4 min blowing. B. The seat does not detect any customer.	A. If needed, please press dryer button again. B. Adjust sitting gesture and sit on again.
8. Deodorizer fan stop work	A. The seat sensor is not detecting the user. B. Accidentally press STOP button during operation. C. Auto deodorizing function is disabled.	A. Remove object or wipe seat. B. If needed, please sit on again after 2s. C. Refer to owners guide "Remote setting guide" section.
9. Unable to open/close cover	A. The seat sensor is not detecting the user. B. Customer interference during previous cover swing process.	A. Remove object or wipe seat. B. Use remote to open/close cover or manual open/close cover to normal position. Do not block switch during swing process.
10. Unable open/close cover automatically	A. Customer does not enter or leave detecting zone. B. Remote "auto swing" function is OFF. C. Toilet is flushing.	A. Please enter or leave detecting zone. B. Refer to owners guide "Remote setting guide" section. C. Wait until toilet flush process complete.
11. Night light OFF	A. Night light function is OFF. B. Ambient light is too bright.	A. Refer to night light in owner guide "Auxiliary side panel function" section to turn on night light function. B. Please turn off ambient light and close curtain, or confirm until ambient light is getting dark.


12. UV sterilization stop	A. Customer sits on seat. B. The seat is covered by an object or the seat is wet.	A. Please close cover and reactivate UV sterilization and close toilet cover. B. Remove objects or wipe seat.
13. No display on remote	A. Battery runs out. B. Wrong battery installation. C. Remote has not been awakened yet.	A. Change new battery. B. Re-install battery correctly. C. Touch remote screen. Approach to toilet or seated Press remote awaken button
14. Remote unable to control toilet.	A. Battery runs out. B. Remote and toilet distance is too far. C. Toilet power is not ON. D. Toilet is under OFF mode. E. Toilet and remote is not connected.	A. Refer to owners guide "Remote battery use and replace" section to replace battery. B. Refer to owners guide "Remote to toilet communication" section and move remote closer to toilet. C. Please connect toilet power supply. D. Turn on switch to terminal box (refer to owners guide page 10 diagram). E. Refer to owners guide "Remote to toilet communication" section, connect toilet to remote.
15. Seat temp is low when seated.	A. Seat temp is OFF. B. Energy saving mode.	A. Refer to owners guide remote guide within the manual for temp setting. B. Refer to owners guide remote guide within the manual to exit energy saving mode.
16. No water sup from inlet valve.	A. Water inlet valve is not OPEN. B. Water inlet float is covered by other parts. C. Water inlet valve float is stacked by other objects.	A. Open water inlet valve B. Adjust other parts to avoid any contact with float during process C. Clean float by water.
17. No water flush when press FLUSH FULL or FLUSH ECO button.	A. Wrong adjusting board and screw rod installation. B. Discharge valve leveler and barb is not connected.	A. Re-install screw rod B. Re-install barb on discharge valve lever and snap in
18. Water level is high or too low.	A. Water inlet valve float is not adjusted properly.	A. Adjust water level again
19. Toilet leak.	A. Foreign objects block water inlet valve float when water enters water tank; unable to stop water; water leak from water discharge valve overflow pipe. B. Foreign objects on water sealing piece.	A. Adjust other parts to avoid any contact with float during process B. Remove foreign objects on water seal piece.
<p>If you're going to service the toilet, you should observe the following rules:</p> <p>Turn off switch on terminal box (refer to owners guide Page 10 diagram). If it is necessary, open water supply valve. Please cut off power supply before servicing terminal box.</p>		

Customer Instructions


Customer Obligation

If you live where the water quality is hard, you must keep your discharge hole clean to ensure proper toilet flush. Clean your toilet at least once each week by detergent. Use long handle brush to clean discharge hole. Insert brush in as much as possible to prevent mineral matter accumulation.

Though most toilet cleaner will not damage the bowl glaze, please follow toilet detergent producer instructions. No corrosive detergent or solution is allowed contacting with seat to avoid surface damage.

 **WARNING:** Prevent floor or product damage.

Any flush device damage caused by chlorine (Lime Hypochlorite) shall void the KOHLER warranty.

 **WARNING:** Do not use cement to install toilet. The cement thermal expansion might cause toilet feet burst or damage. Kohler will not be responsible for any toilet damage caused by cement.

 **WARNING:** Prevent toilet damage.






Do not toss newspaper, diaper, tampons etc. into toilet to prevent from clogging. Please do not apply impact to bowl to prevent from damage and water leak. Do not use toilet when ambient temperature is lower than 1 °C

Note: Bidet cover clean and service refers to user's guide.

Note: Completely flush water supply pipe to eliminate impurities within pipeline. Use tap water or drinkable water for water supply.

安装之前

注意

-  **警告：** 触电、火灾或人身伤害的危险。本产品必须安全接地。只能连接到专用的220V~，50Hz(5402T-0); 220V~，60Hz(5402KR-0); 220V-240V~，50/60Hz(5402A/K/R/MY-0, 5402IN-ZZ-0), 10A带接地故障断路器或接地漏电保护器的电路中。
-  **警告：** 在安装本坐便器时切勿使用任何凝胶材料（水泥砂浆）。因为凝胶材料（水泥砂浆）的热膨胀可能使坐便器的脚部挤破或损坏。科勒对所有因为凝胶材料（水泥砂浆）安装而引起的坐便器破裂恕不负责。
-  **警告：** 提防损坏产品。请不要向便器内冲入新闻纸、纸尿裤、妇用卫生巾等容易堵塞的物品。请不要用重力撞击陶瓷，以防止破损漏水。不要在0°C以下的水环境中使用。
-  **危险：** 存在触电危险。操作前应切断电源。
-  **警告：** 存在触电危险。只可连接至带接地故障断路器（GFCI）或接地漏电断路器（ELCB）保护的电路中。

注意： 遵守所有的本地管道安装和电气规程。

- 遵守所有的本地管道安装规程和建筑规范。
- 电源和水管应采用墙式安装方式。
- 必须使用随器具附带的新软管组件，旧软管组件不能重复使用。
- 请不要使用科勒不推荐的附件，如角阀等。
- 仔细检查新坐便器有无损坏。

注意： 本产品自身不带漏电保护功能，必须安装在装有漏电保护器的线路中方可安全使用；否则本产品的意外故障

- 请仔细阅读本指引。以便熟悉所需工具、物料及安装程序。请遵照适用的章节来安装您的坐便器，以避免由于安装失当而导致不必要的损失。除了有关正确的安装方法之外，还务请详阅所有操作及安全指引。
- 本指引所载之一切资料，均以印刷时所有之最新产品情况为基础，科勒保留权利随时更改产品特性、包装或供应情况，恕不另行通知。
- 本指引也包含了有关护理、清洁及保养等重要资料 - 请交予用户保存。
- 我们感谢您对科勒质量的信任。在您开始安装之前，请您花上几分钟时间来阅读这本手册。如果您在安装或性能方面遇到任何问题，务必请您与我们联系。再次感谢您选择科勒公司。
- 安装前，请确保坐便器安装所需要的空间，并不会影响到门的开关。
- 在安装本产品的同一房间中，需要在触手可及的位置安装一个止水阀，用于紧急情况下，无需借助工具即可切断本产品的进水水路；否则本产品的意外故障可能会导致用户损失。
- 请不要在水箱内使用具有腐蚀性的清洁剂或溶剂，否则会严重地损坏水箱配件，导致漏水。因使用上述清洁剂或溶剂而使水箱不能正常使用或出现其它连带性的损坏，本公司恕不负责。
- 请不要采用非本公司提供的零件，如玻璃胶等不能用于本公司配件的安装。因使用非本公司提供的零件安装而本公司产品导致的损坏，本公司恕不负责。
- 本产品须固定在实心承重墙上，墙的厚度应不小于80mm。
- 在水箱前方用水泥构筑假墙时，须在水箱与水泥之间做好相关保护措施，以免损坏箱体。

功能说明

- 双档自动感应冲水功能
- 防倒流功能
- 冲水水量可调节功能
- 双档手动冲水功能
- 进水水位可调节功能
- 坐便器高度可以调节功能

自动感应入墙式隐藏水箱的优点

- 不仅具有单、双档手动冲水功能，还能自动感应区分大小便，并完成相应的大、小水量分档冲水。
- 抗冲击，耐腐蚀的高分子材质水箱，杜绝漏水的可能性。
- 先进的水箱配件，可以调节排水量。
- 不影响墙体结构，出色的静音效果。
- 安装简便、快捷，省时省力。
- 维护简易，无需改动墙体。
- 卫生清洁，无垃圾沉积，节省空间。
- 箱体超薄型，节省安装空间，广泛应用于各种薄壁墙体。

隐藏水箱设计安装概念

- 隐藏式水箱提供了简单快捷的安装方式，与传统的安装方式相比更完善、更美观。同时由于使用了隐藏式的管路布置，使空间布局更为合理。
- 使用隐藏式水箱的显著优点是不再限于某一固定的地方安装，可以灵活地设置，从而可以使整个浴室布局更为合理、更为美观，充分利用每一寸可用空间。

所需工具及材料

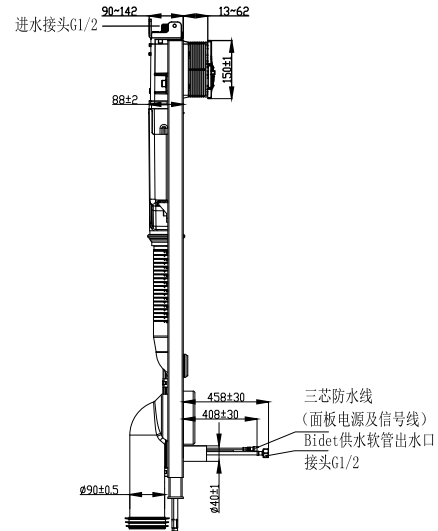
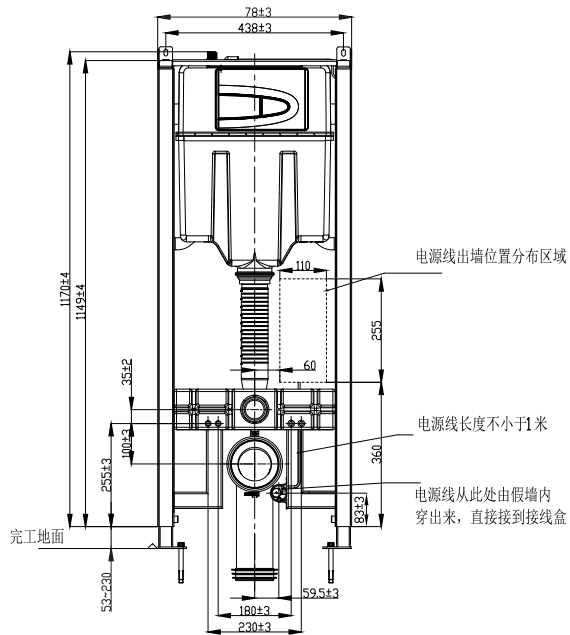
- 开口/活动扳手/19mm梅花扳
- 手美工刀
- 锉刀
- 钢锯
- 冲击钻
- 水平尺
- 十字螺丝刀/T10六角花形螺丝
- 刀绝缘胶布
- 卷尺
- 生料带
- 电工套管
- 润滑油

尺寸图

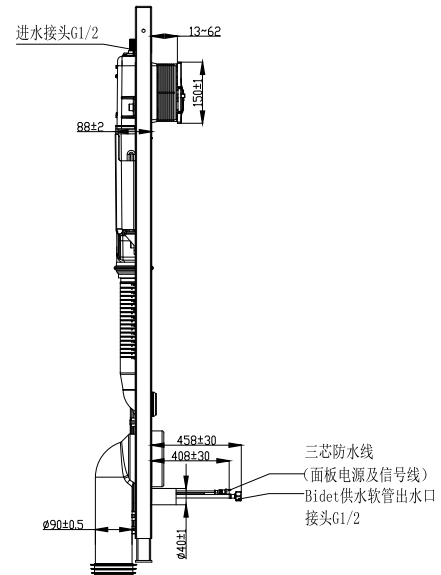
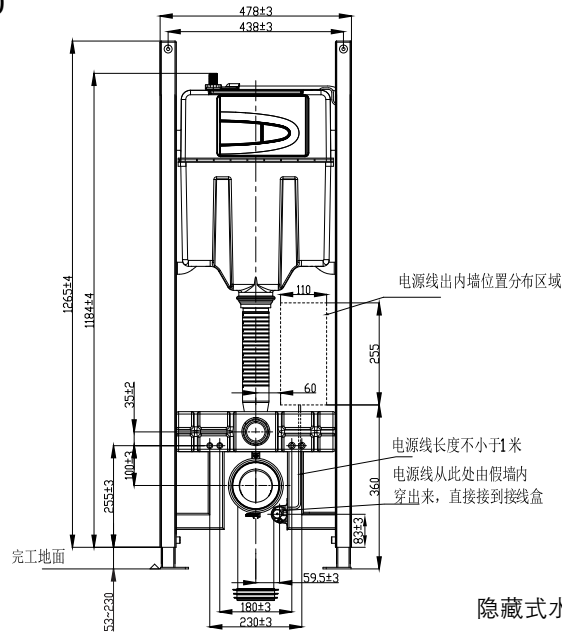
注：在墙体施工时需预留电源线。电源线规格1mm²-2.5mm²硬线，电路中需有220V~，50Hz(5402T-0); 220V~，60Hz(5402KR-0); 220V-240V~，50/60Hz(5402A/K/R/MY-0, 5402IN-ZZ-0)，10A或以上接地故障断路器或接地漏电保护器。电源线出墙位置如下图：

5402T/K/R/KR/MY-0, 5402IN-ZZ-0

单位：毫米



5402A-0

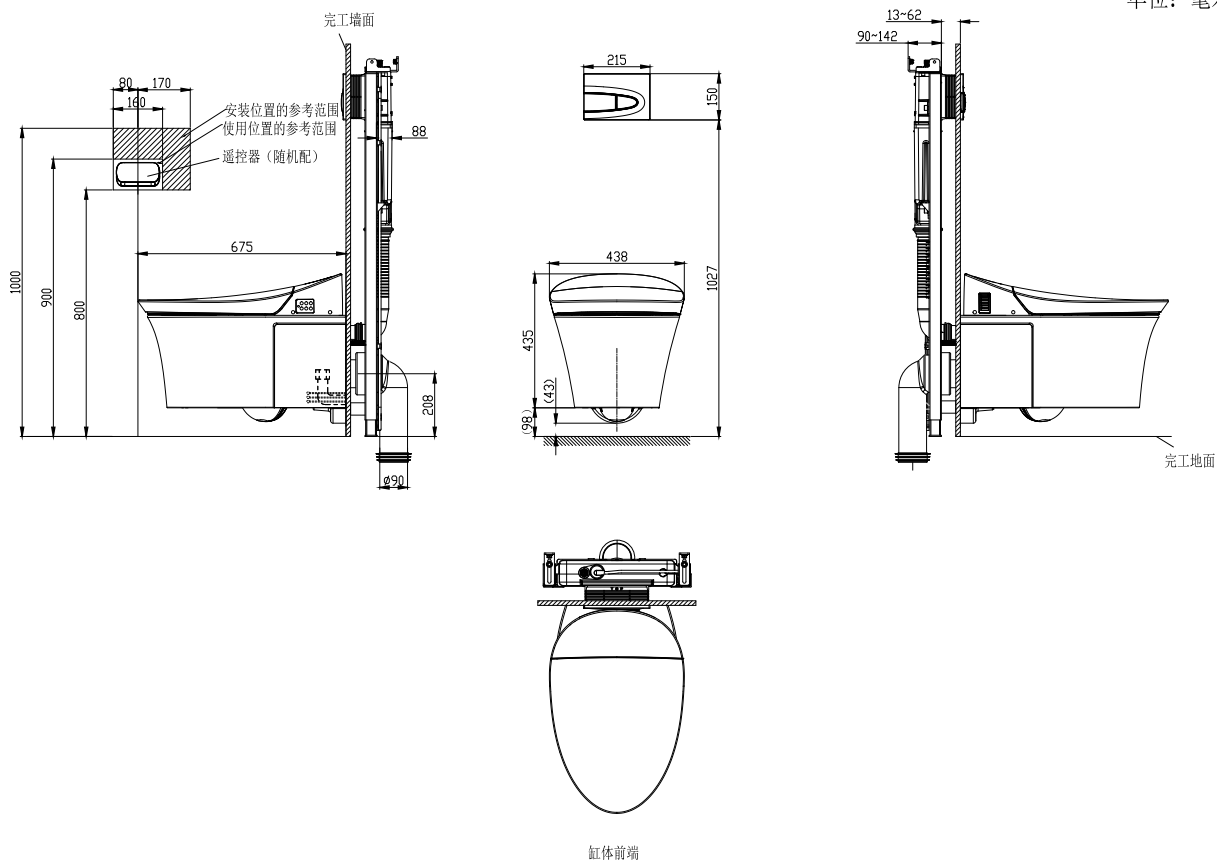


隐藏式水箱尺寸图

Fig.#1
图1

科勒公司保留随时变更图中标示尺寸的权利，无需另行通知。
Kohler reserves the right to change marked dimensions without prior notice.

单位：毫米



坐便器尺寸图

Fig.#2
图2

科勒公司保留随时变更图中标示尺寸的权利，无需另行通知。
Kohler reserves the right to change marked dimensions without prior notice.

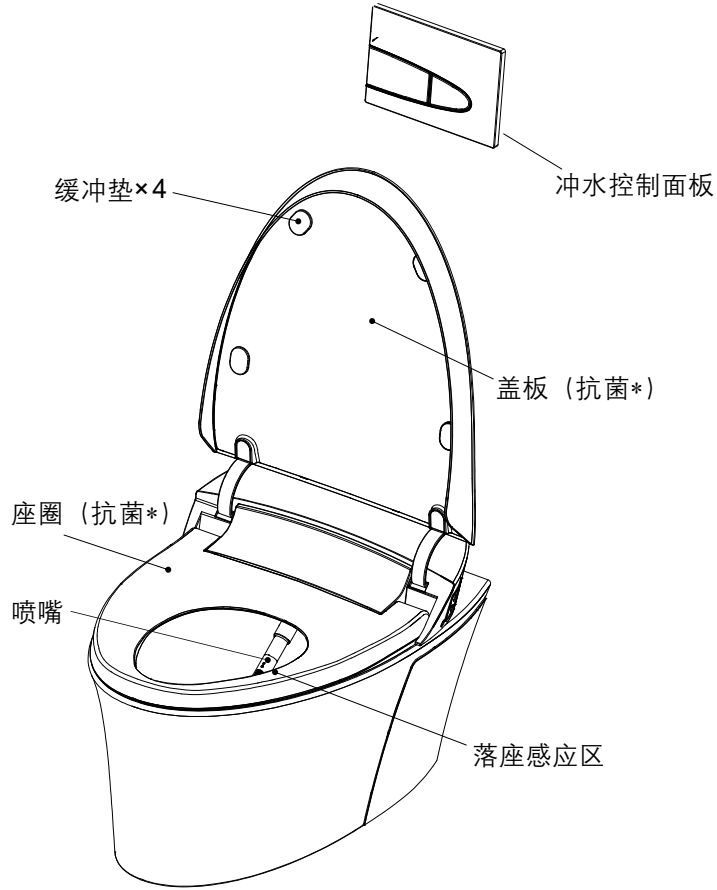
规格

冲水用水量	平均3.5L、全冲4.5L、半冲3.0L
水效等级*	3级(适用于中国版)
供水压力	最小进水压力0.07MPa(动压) 最大进水压力0.74MPa
额定电压	请参考产品配置表
额定功率*	
产品外型尺寸	约675mm x 438mm x 490mm
产品重量	约44kg
进水温度	1-35℃
使用环境温度	1-40℃

注意：智能盖板规格详见用户手册。

* 智能坐便器施加的水效标识的说明：水效标识表示智能坐便器水效等级等性能的一种符合性标志。
* 功率值测试条件：动压0.2MPa，进水温度15℃。

整体简图

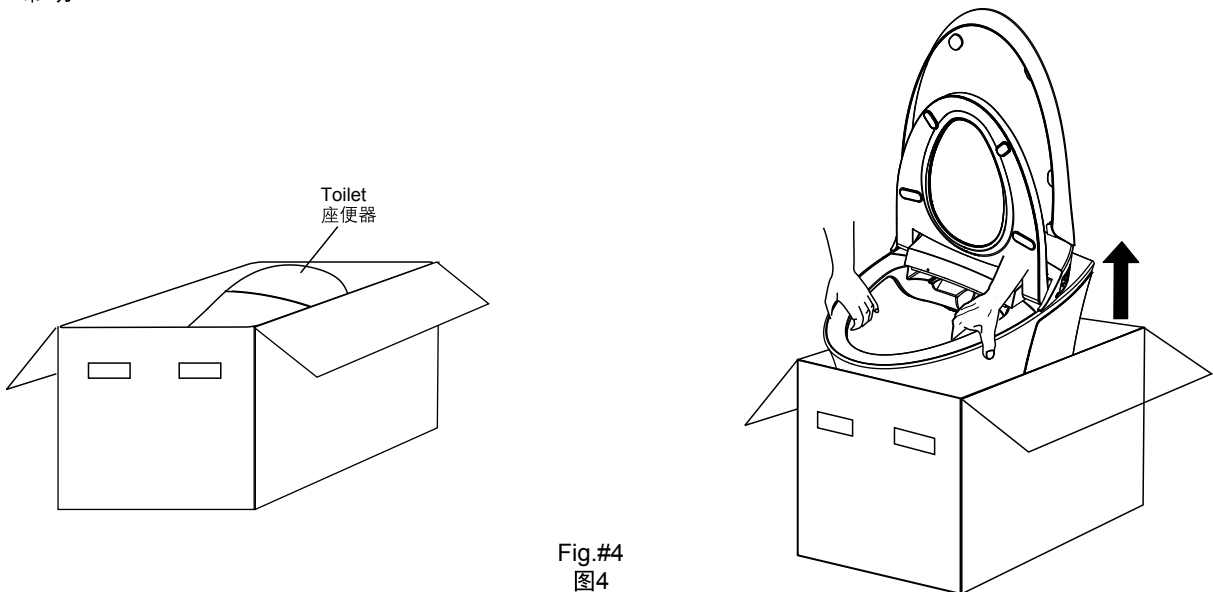


* 抗菌：含无机系抗菌材料的座圈、盖板长期抗菌，抑制产品表面的细菌生长。这一加工处理不代表防霉等附带效果。抗菌率大于90%（依据GB21551.2-2010进行试验。测试机构：中国家用电器检测所、上海出入境检验检疫局机电产品检测技术中心）

安装前准备

A. 抓住陶瓷件的边缘，从包装箱中取出产品。

警告：人身和产品损害风险！向上提起坐便器时，请勿抓住智能盖板的边缘。由于坐便器较重，必要时请寻求他人帮助



B. 在地面上放置一块800mmX800mm大小的软垫，将坐便器从包装箱中取出放在软垫上。

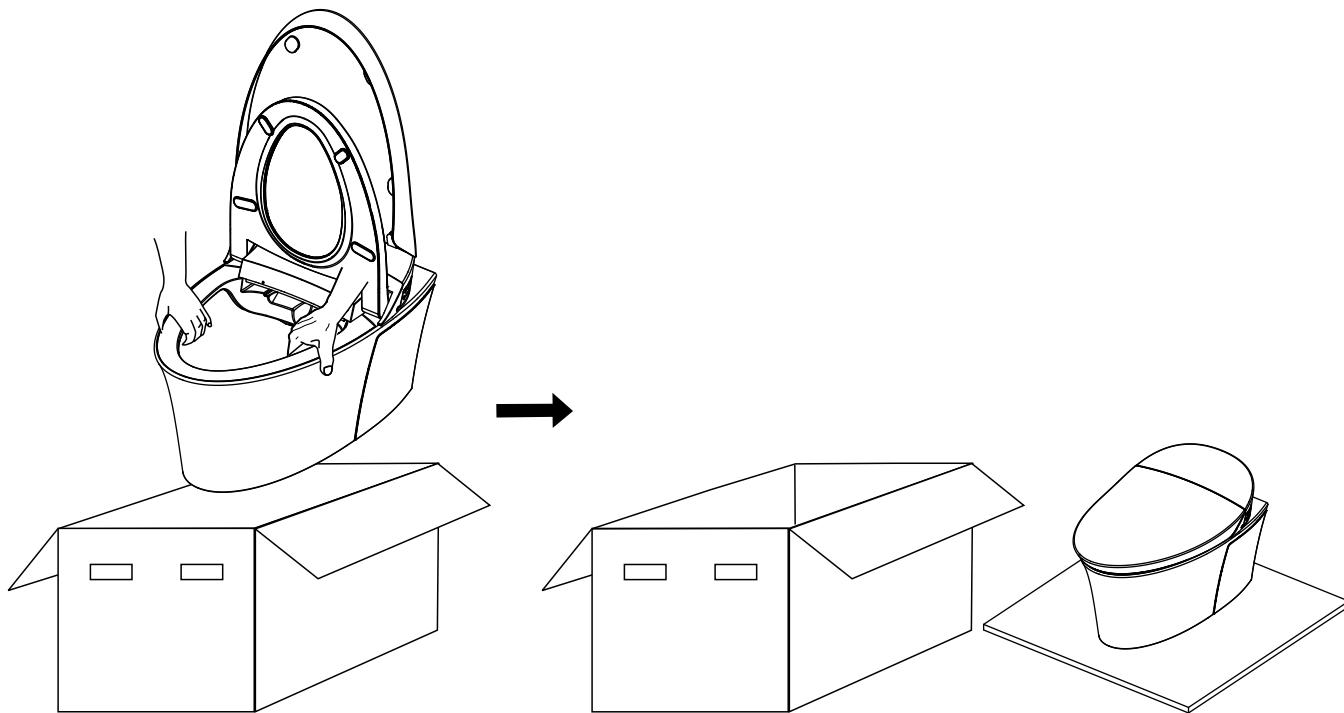


Fig.#5
图5

安装

A. 拆除旧坐便器(如果有)

B. 安装时请注意



危险：存在触电危险。安装前应切断电源。

注：本产品设计可安装于墙上式电源和水路管。安装方式在尺寸图中有标示。



警告：存在触电危险。只可连接至带接地故障断路器(GFCI)或接地漏电断路器(ELCB)保护的电路中。



浴缸与花洒位置请远离带电部件(如遥控器等)。

C. 隐藏水箱的安装

1. 从包装箱中取出隐藏水箱,如图首先把水箱里的纸皮撕开,再取出电机组件下方的支撑纸板和堵头。

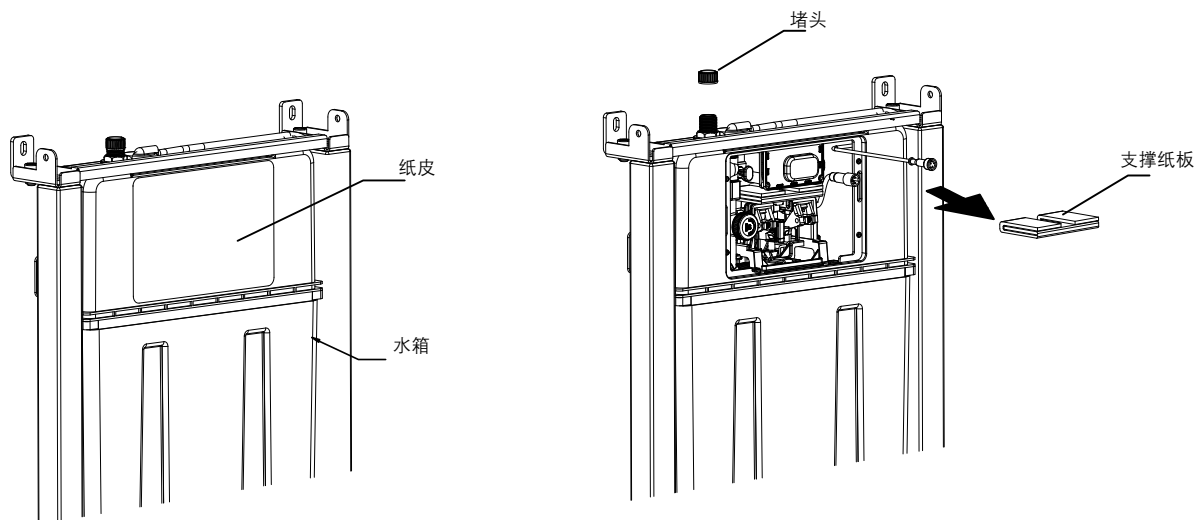


Fig.#6
图6

2. 如图A用六角匙拧松螺丝后可调节固定架伸长或缩短。

如图B用六角匙拧松螺丝后可调节可调支脚伸长或缩短。

注: 固定架与可调支脚可根据客户的理想高度进行调节, 调节时请用水平尺确保铁架保持平衡。

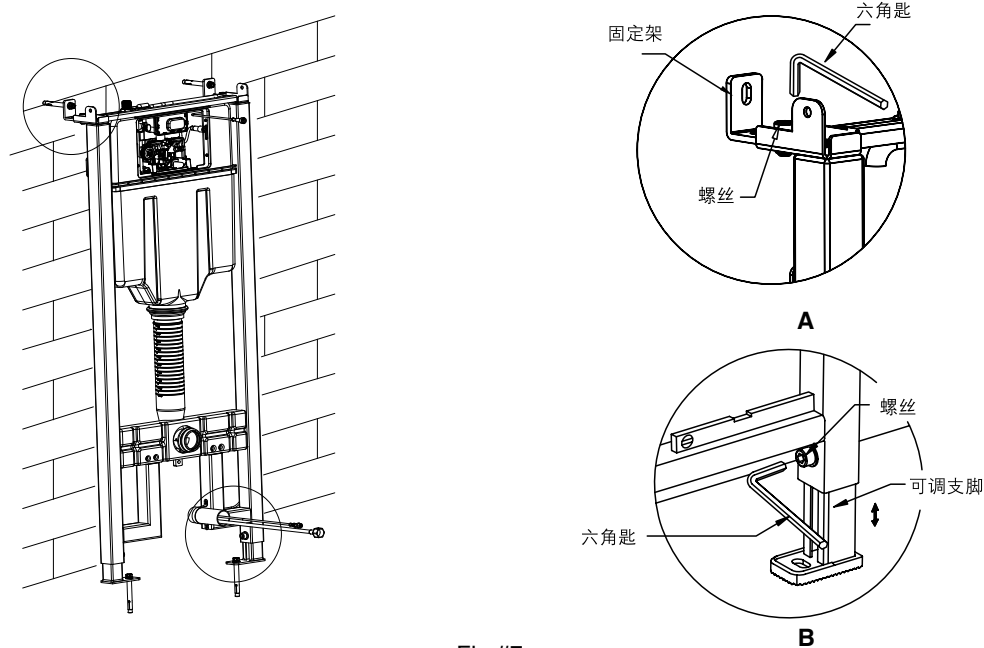


Fig.#7
图7

3. 如图A、B用冲击钻分别钻两个 $\text{\O}10\text{mm}$ 深80mm的小孔。

A. 将膨胀螺钉塞进墙体安装孔上，再把固定架装在膨胀螺钉上，调整好位置后套上垫圈，拧紧螺母。

B. 将膨胀螺钉塞进安装孔中，再把可调支架装在膨胀螺钉上，调整好位置后套上垫圈，拧紧螺母。

注：5402A-0 隐藏水箱的安装，有两种选择C和D。

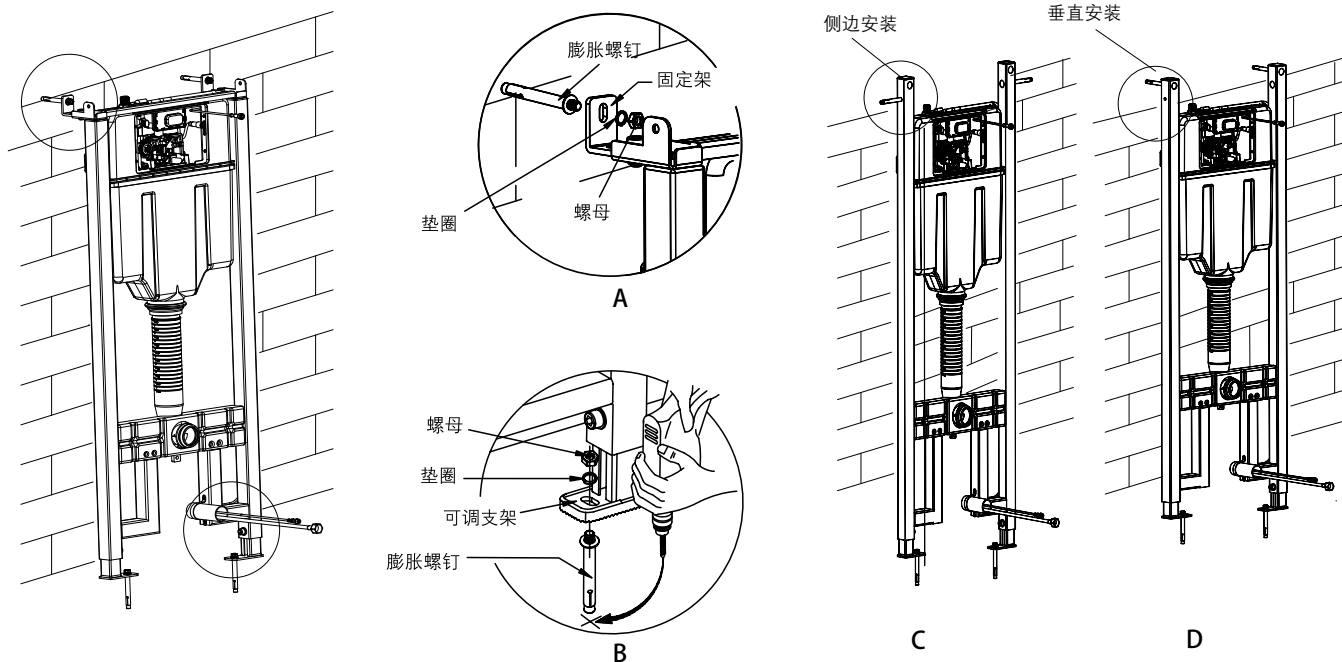


Fig.#8
图 8

4. 如图A用扳手拧紧螺母。

如图B用扳手拧紧螺母。

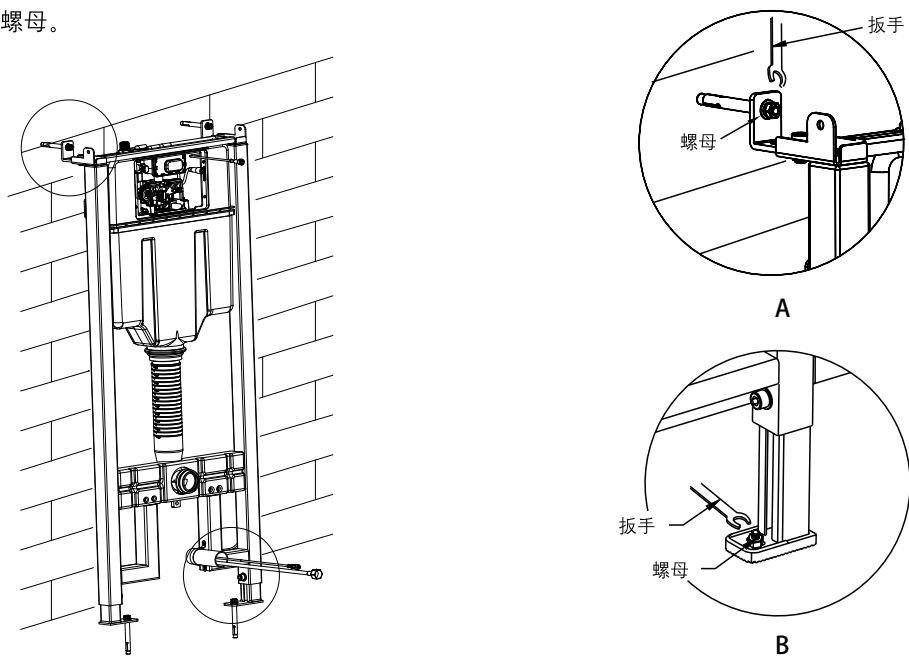
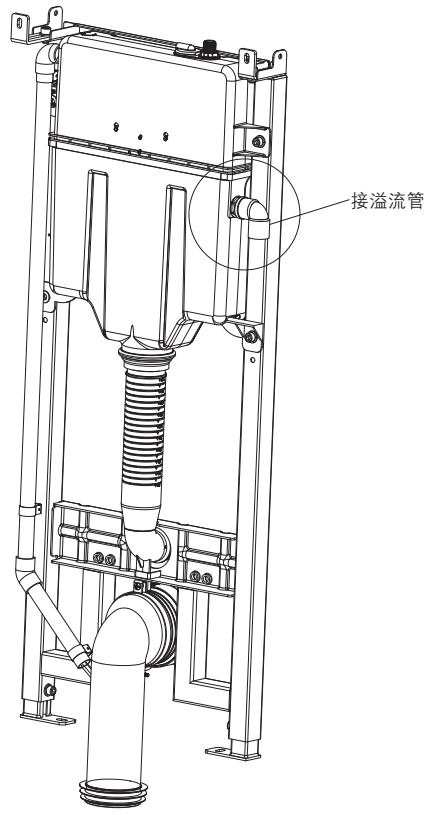


Fig.#9
图 9

5.5402R-0/5402MY-0施工时侧边接溢流管。



D. 地排安装方法

1. 首先根据实际情况有三种排污弯管安装方法: A, B, C, 然后用螺丝刀旋调节螺丝调整位置。最后再把排污弯管的下端装进排污口。

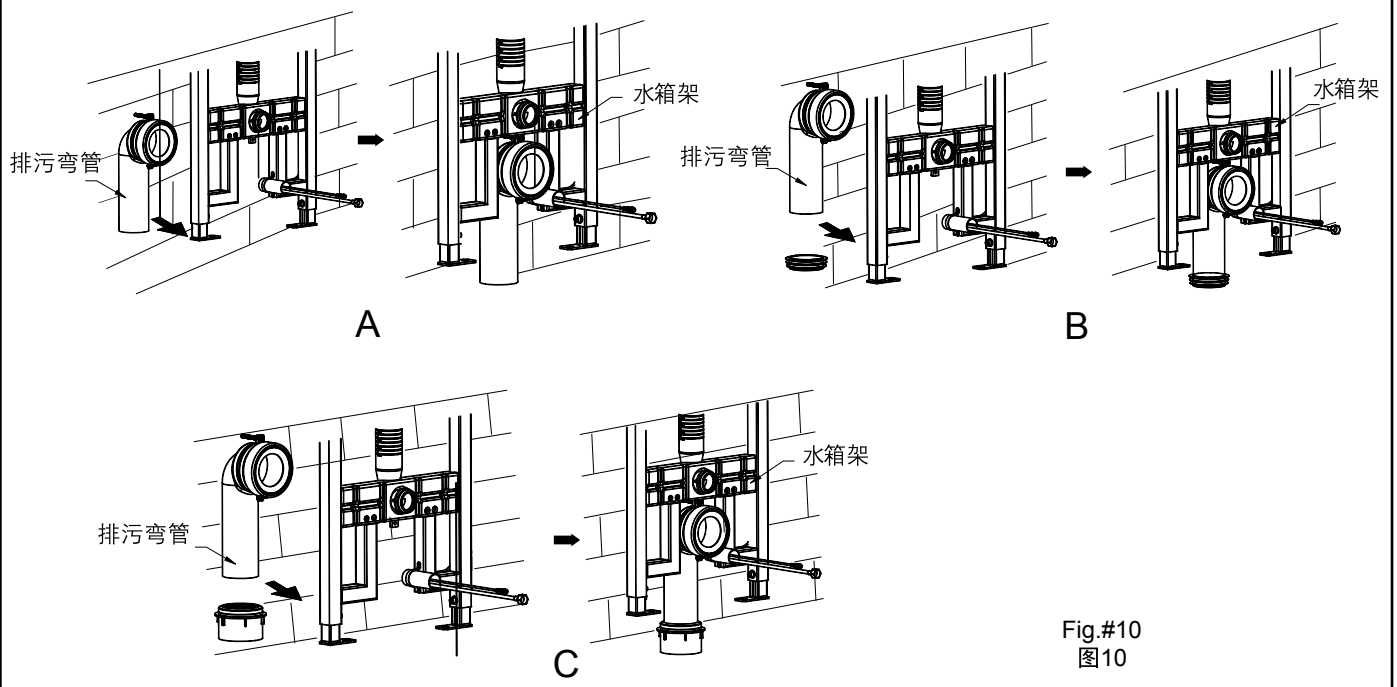


Fig.#10
图10

2. 如图将长螺杆旋入水箱架的螺丝孔上，再将大防物盖装在排污口上，小防物盖装在进水口上。

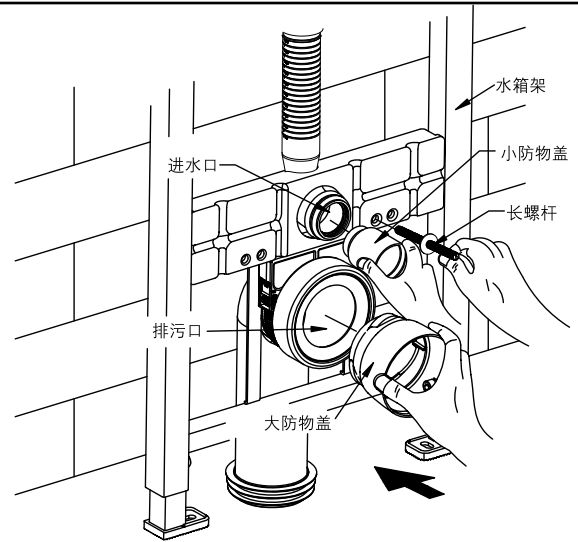


Fig.#11
图11

3. 如图所示将自来水编织管装在水箱顶部连接管上供水。

注：1. 确保水箱内部进水角阀为关闭状态。
2. 建议在连接供水时，在角阀上连接一个临时橡皮或塑料软管，冲洗供水管道，确保管路中的水干净，管道内无沙石、垢污等。

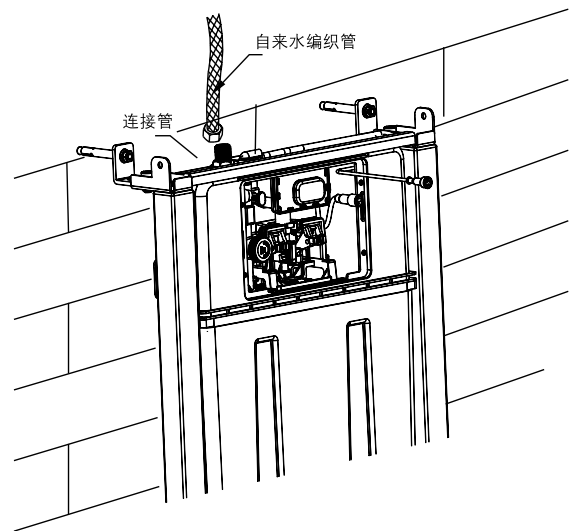


Fig.#12
图12

4. 如图将方形罩装在水箱的挡盖里，用力将方形罩的卡扣装入挡盖卡槽内，再拧紧螺丝使方形罩紧固在水箱上。

注：方形罩TOP指示面向上。

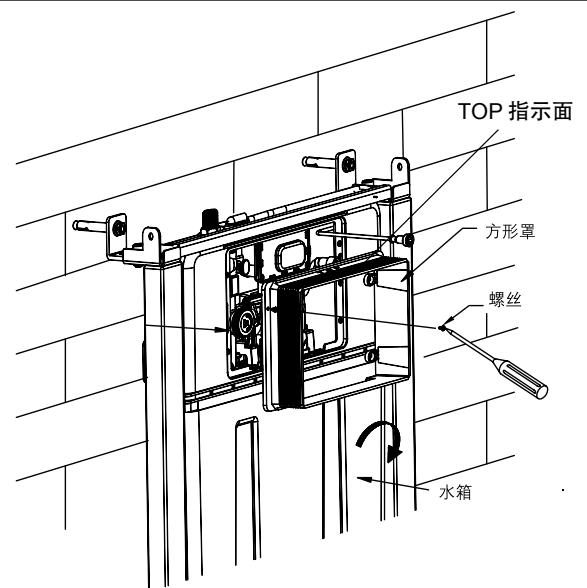
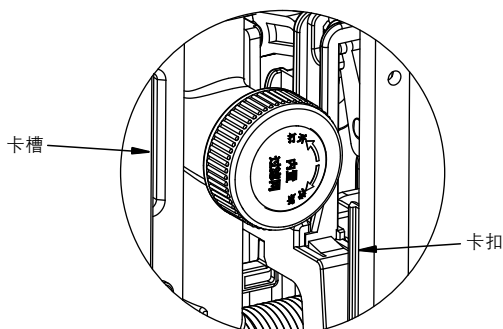


Fig.#13
图13

E. 横排安装方法

1. 将排污直管装入排污管道。

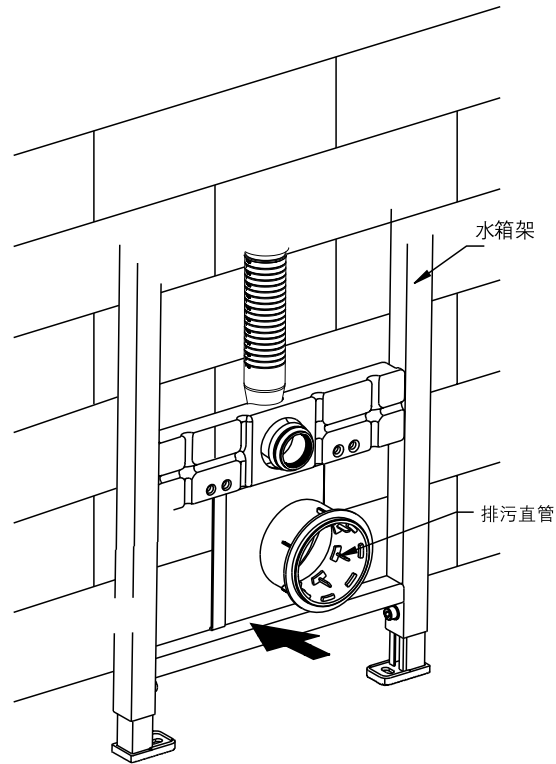


Fig.#14
图14

2. 如图将长螺杆旋入水箱架的螺丝孔中，再将大防物盖装在排污头上，小防物盖装在进水口上。
开始砌墙。

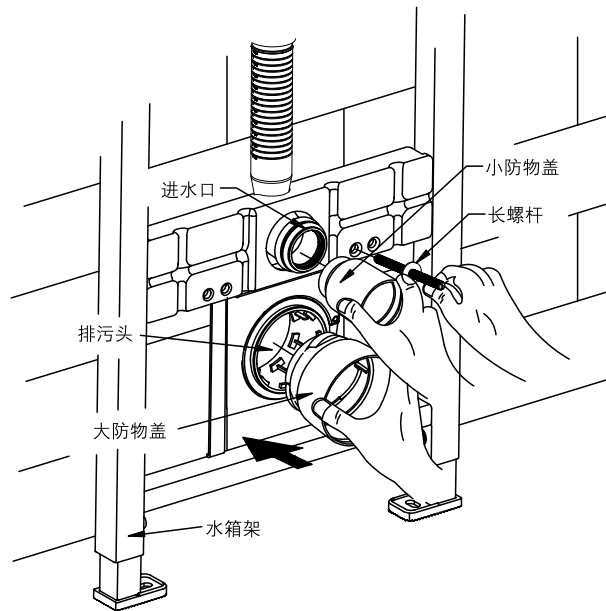
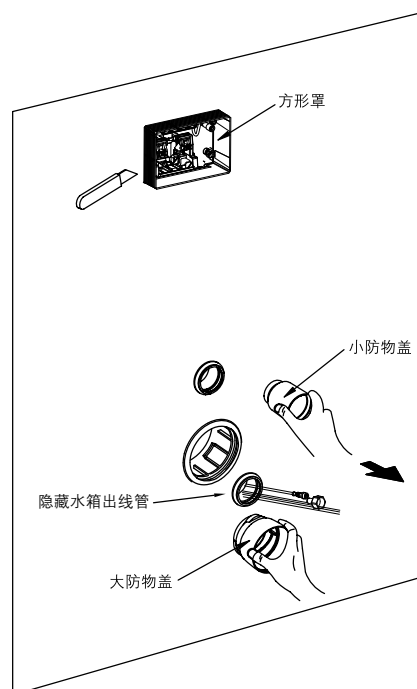
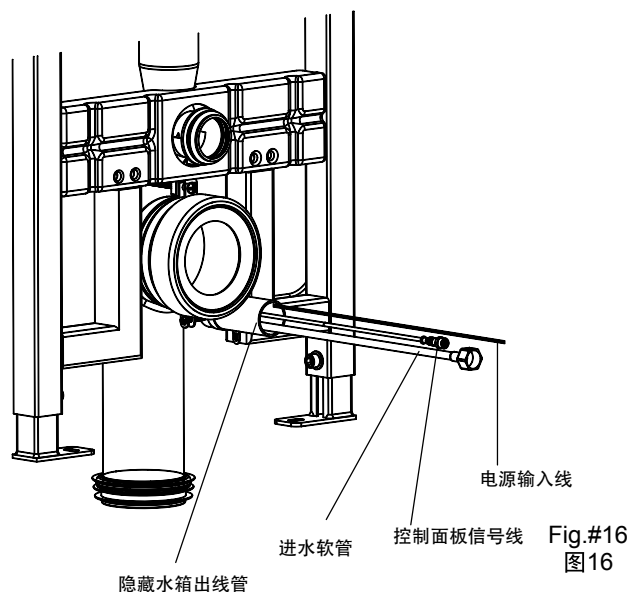


Fig.#15
图15

3. 如图砌完墙后，将大，小防物盖取出，然后用水口刀把方形罩及出线管多余的长度锯掉。

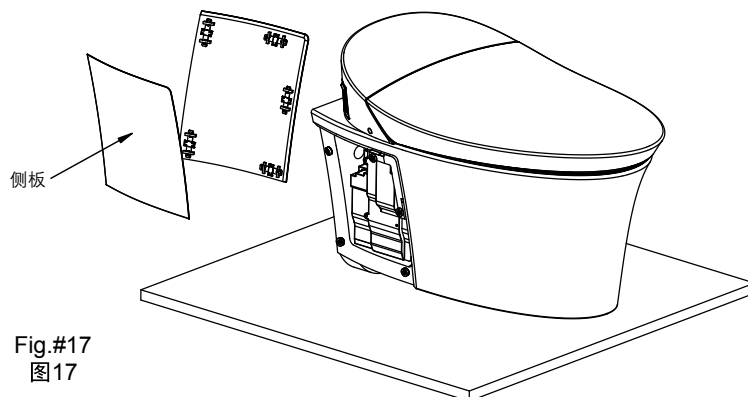
注：1. 砌墙时需保证长螺杆能自由转动，长螺杆垫片在墙外。

2. 砌墙时先把进水软管，控制面板信号线及三根电源输入线从墙内经过隐藏式水箱下面的出线管穿出墙外。

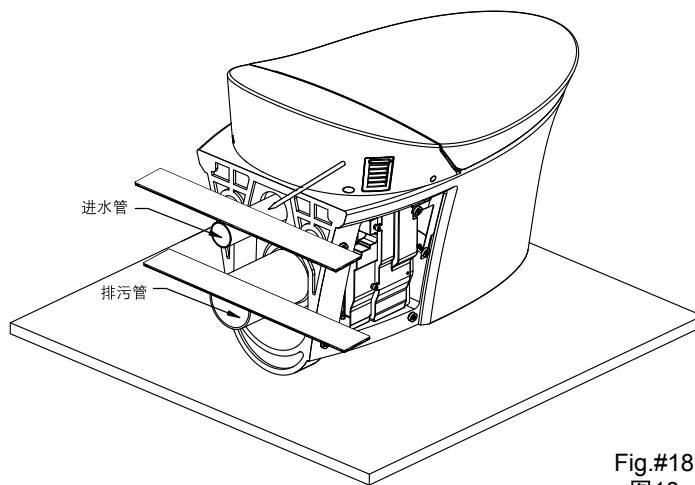


F. 坐便器 安装方法

1. 取下左右侧板。



2. 按图将排污管、进水管装在坐便器上，用直尺放在坐便器后面的排污管、进水管用铅笔作标记。再根据坐便器后面到墙壁排污头的实际情况作预留距离。



3. 如图在排污管、进水管已作标记的后端预留的位置上将多余部分锯掉。然后再用锉刀将锯掉的面锉平整并倒角。

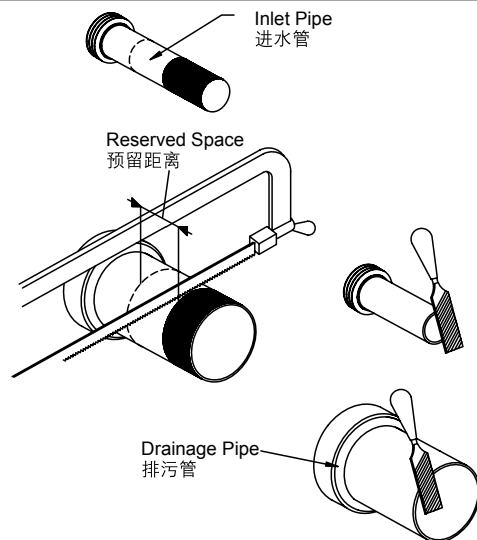


Fig.#19
图19

4. 如图将坐便器的排污管、进水管装上大、小防漏胶圈，然后装在坐便器的相对应管道。

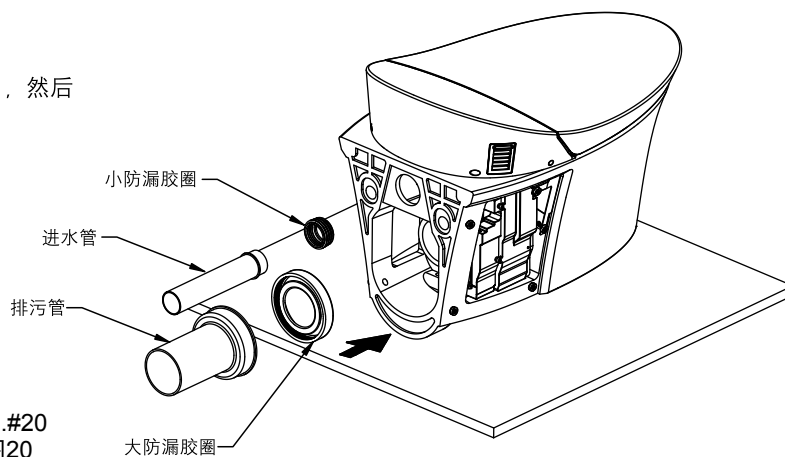


Fig.#20
图20

5. 如图首先将长螺杆垫片紧贴在墙壁外侧 然后在排污头、排水孔上涂上润滑油，使排污管、排水管安装畅顺。

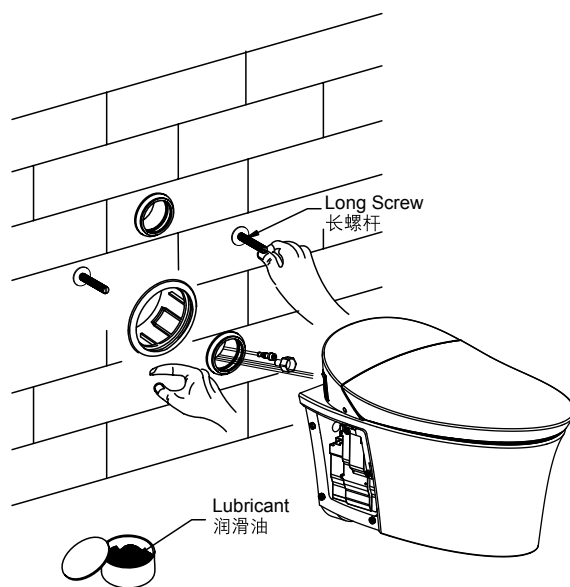
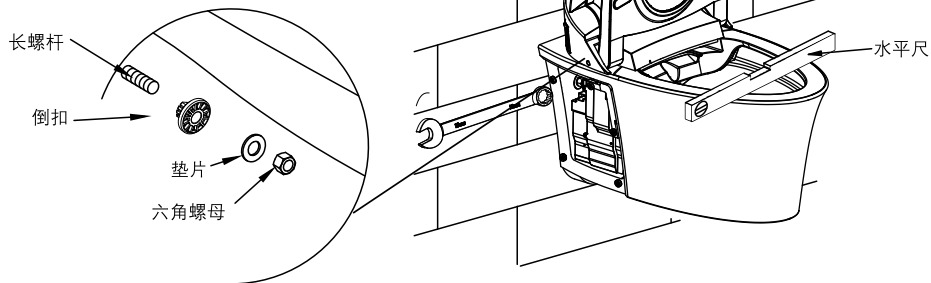


Fig.#21
图21

6. 如图首先将倒扣、垫片套在长螺杆上。然后用梅花扳手半拧紧六角螺母，并用水平尺测量坐便器是否平衡。然后拧紧六角螺母。

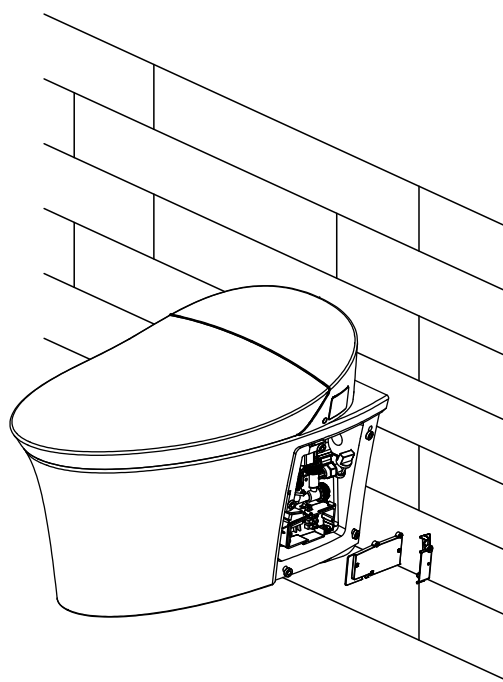
注意：建议采用19mm规格的梅花扳手拧紧六角螺母。

Fig.#22
图22



7. 卸下座便器右侧2颗梅花形自攻螺丝，拆除电线挡板。然后卸下剩余的3颗梅花形自攻螺丝，拆除接线盒盖。

Fig.#23
图23



8. 将墙内引出的三根电源输入线（硬线）穿过橡胶密封垫，连接到接线台上。

注意：接线的顺序由上至下分别为L,N,⊕。

- L—火线
- N—零线
- ⊕—接地线

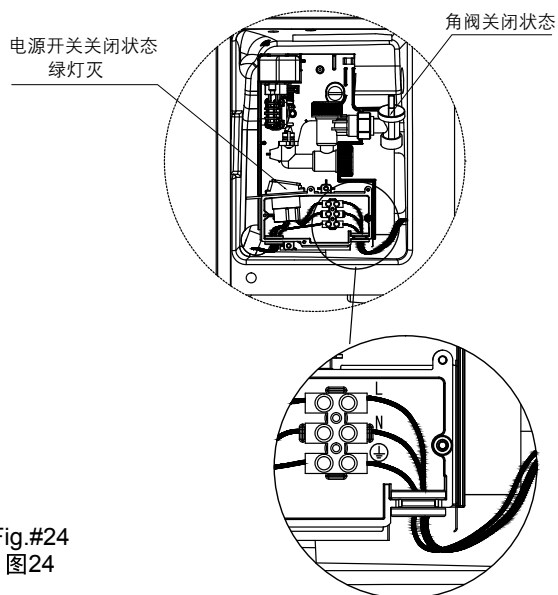


Fig.#24
图24

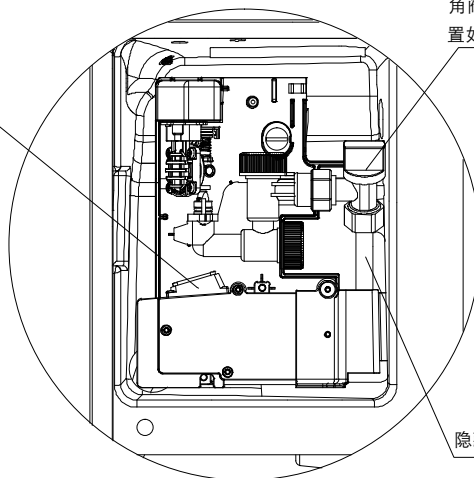
9. 完成接线后，调整电源输入线，锁上接线盒盖。
注意：完成以上步骤后，请确保所有电源输入线不能被人触碰到。

10. 将隐藏式水箱的出水软管穿过陶瓷与角阀联接，用活动扳手锁紧（安装时，建议调整角阀的角度，便于水管安装，安装完成后恢复角阀角度）。

11. 打开电源开关至"ON"，并打开进水角阀。

电源开关
开启状态
(按钮至"ON")

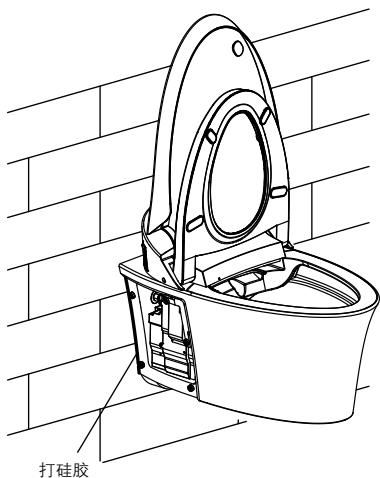
角阀开启状态手柄位置
置如图示



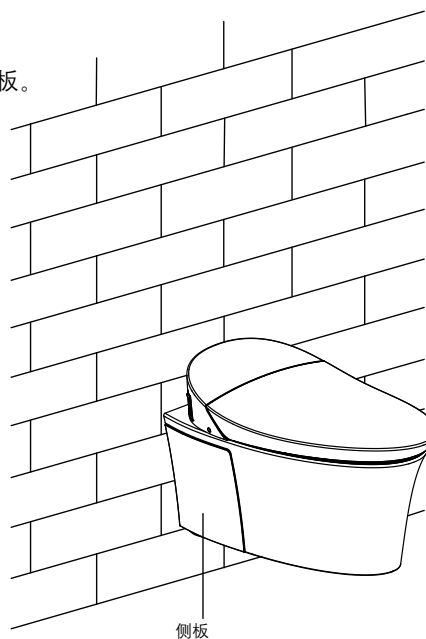
隐藏水箱出水软管

Fig.#25
图25

12. 在墙与陶瓷的结合处建议打硅胶，保证坐便器边缘紧贴墙面。装上左右侧板。



打硅胶



侧板

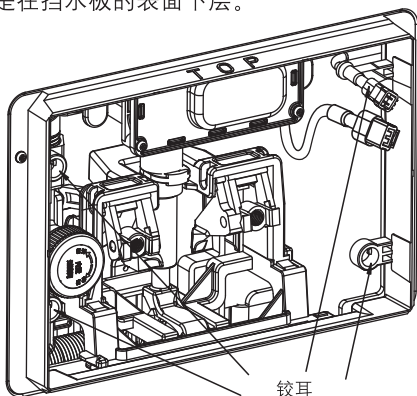
Fig.#26
图26

G 控制面板安装方法

1. 如图首先将挡水板的卡槽A B卡位上即可。

提示1：安装挡水板时注意挡水板卡槽的位置是否对上卡位。

提示2：挡水板完整安装后的铰耳是在挡水板的表面下层。



铰耳

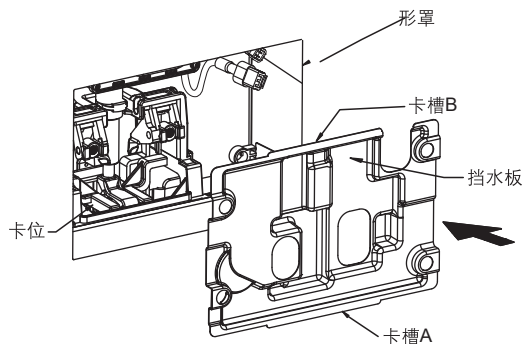


Fig.#27
图27

H. 控制面板的安装方法

1. 如图将支撑板装上时，把四颗锁紧管调整在标识“OPEN”字样装上。

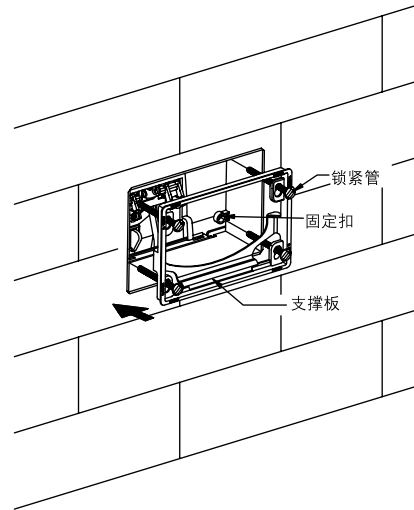


Fig.#28
图28

2. 如图将支撑板装上后，把四颗锁紧管旋转到“LOCK”字样即可。

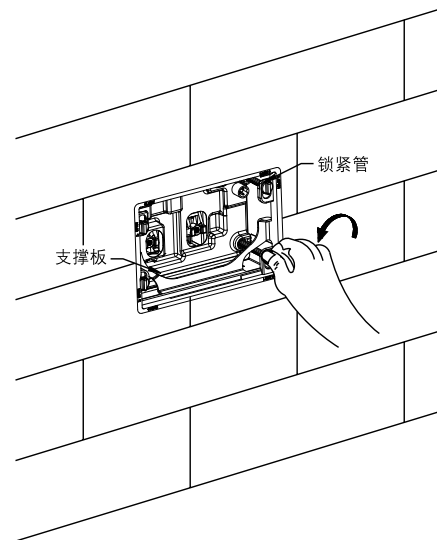


Fig.#29
图29

3. 如图把两颗螺丝杆旋进在支架的螺丝上。
注：旋进时螺丝杆尾端要与墙壁垂直。

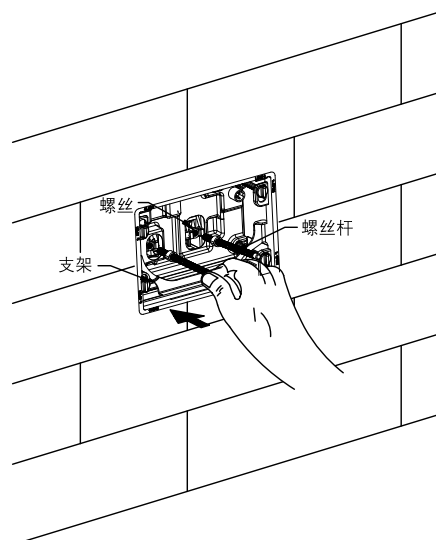


Fig.#30
图30

4. 如图将控制面板的扣位对准调节板的倒扣，然后用力向前推，扣紧。安装时要注意从下而上安装。装上电机组件信号线及控制面板信号线。

注：电机组件信号线及控制面板信号线整理到防水板U型孔内。

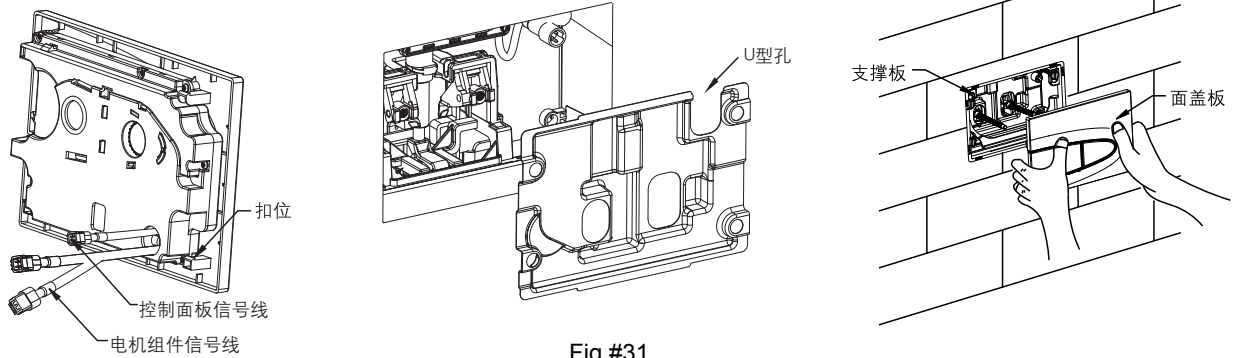


Fig.#31
图31

5. 安装完毕，通电通水使用



Fig.#32
图32

排水阀拆卸与维护

1. 如图拆卸控制面板，用双手握住控制面板下方用力向上推就可以打开控制面板。注意从下而上拆开。拆下电机组件信号线及控制面板信号线。

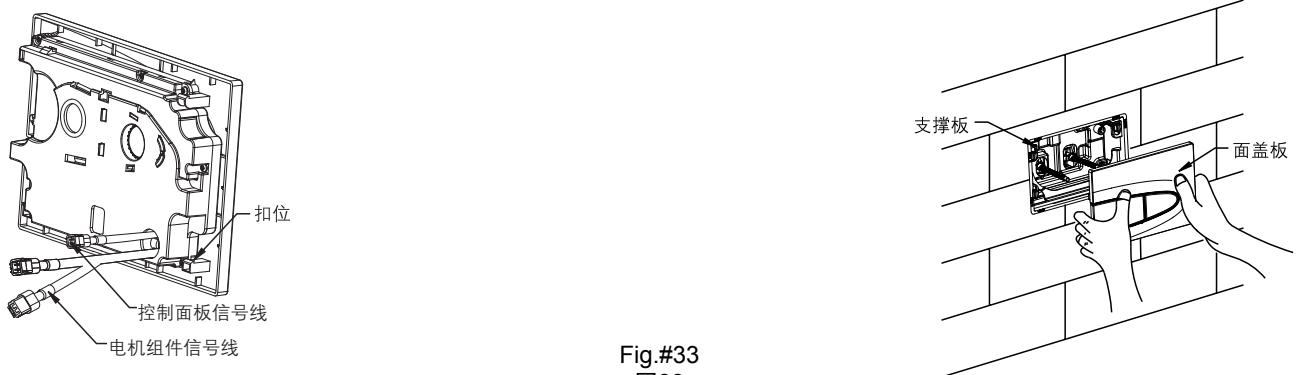


Fig.#33
图33

2. 如图把两颗螺丝杆旋出。

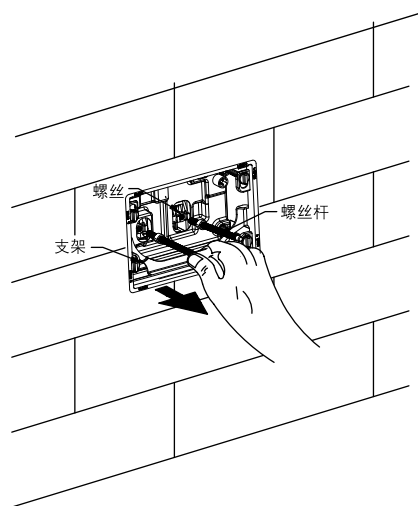


Fig.#34
图34

3. 如图将支撑板拆卸时注意四颗锁紧管要全部对准“OPEN”字样。

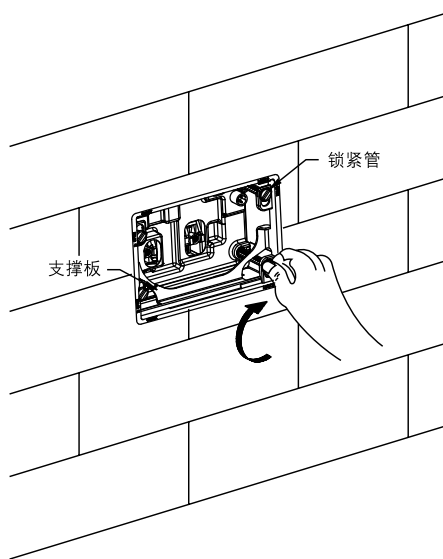


Fig.#35
图35

4. 如图拆出支撑板。

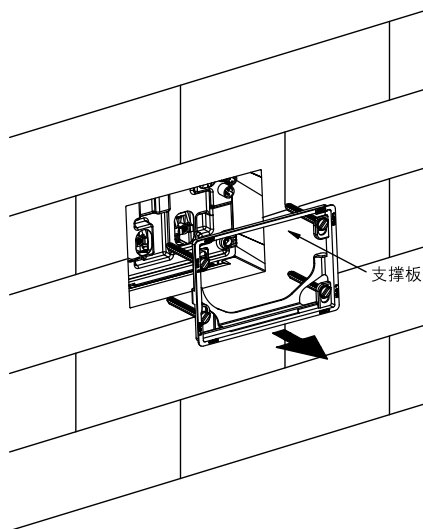


Fig.#36
图36

5. 取出挡水板。

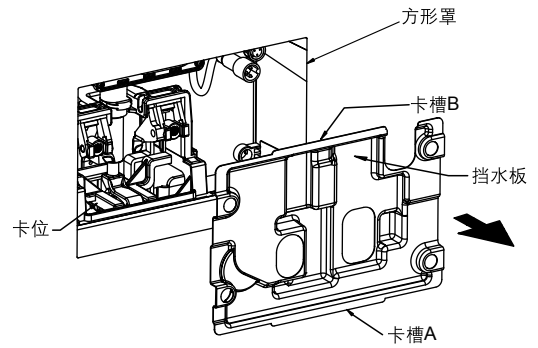


Fig.#37
图37

6. 拆出电机组件的快拆机构，取出电机组件。

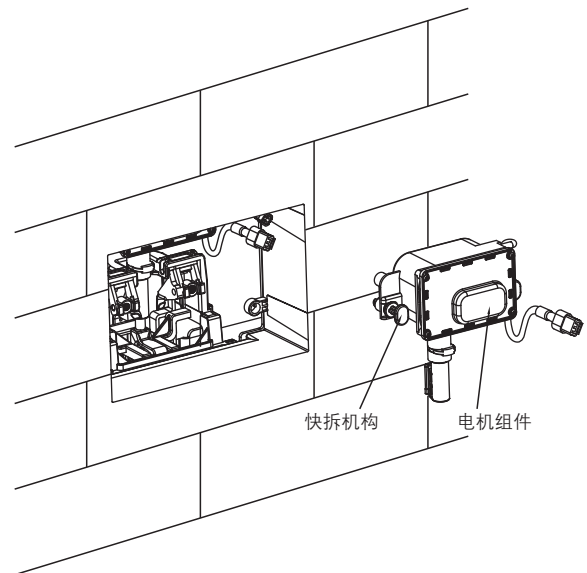


Fig.#38
图38

7. 如图用手握住支架的上端，然后用力向上提拉把支架的锁紧拨开。

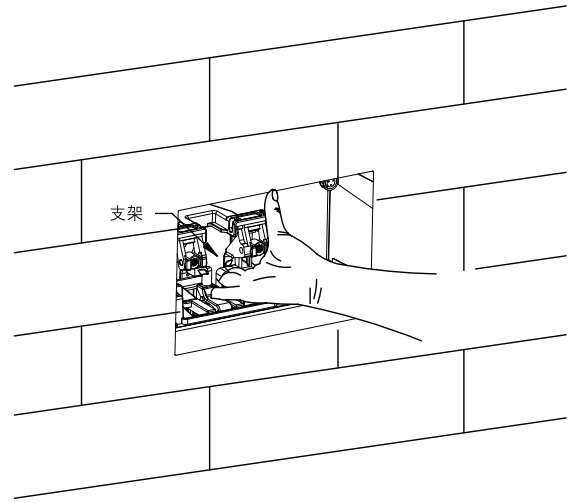


Fig.#39
图39

8. 如图将倒扣里的两端排水阀杠杆扣取出。

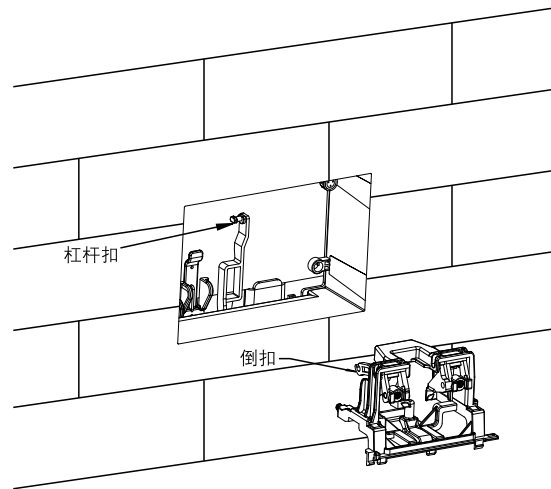


Fig.#40
图40

9. 打开或关闭水源
如图旋转角阀的开关可使水源打开或关闭。

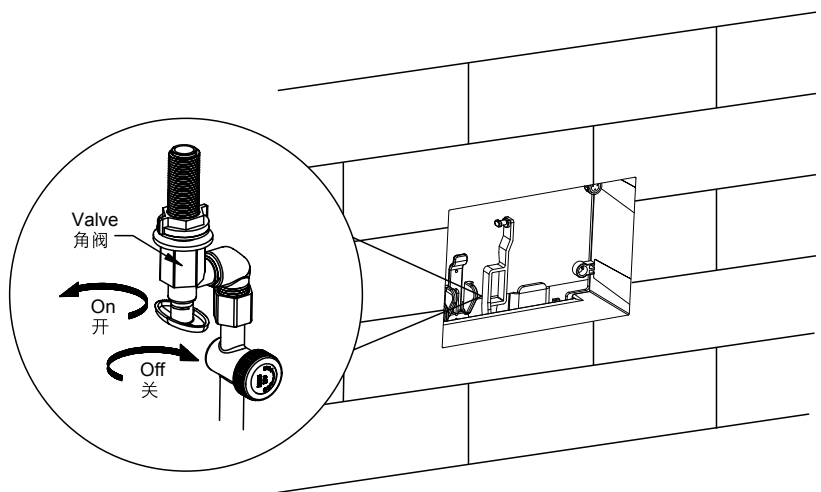


Fig.#41
图41

10. 如图把过滤器的螺母旋松，然后取出进水阀。

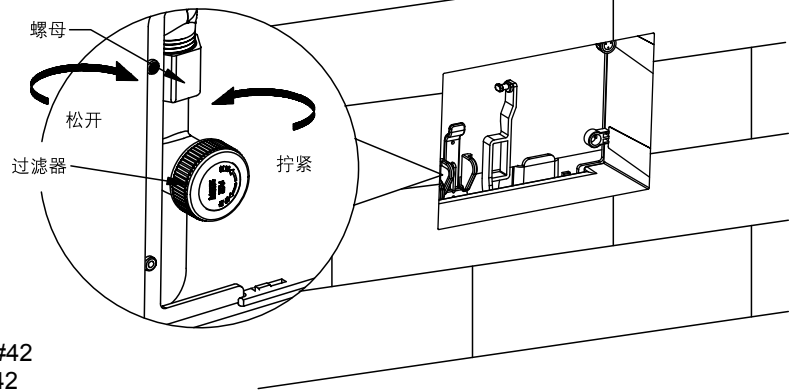


Fig.#42
图42

11. 如图将过滤器的螺母旋松后，取出进水阀清洁或调节。



Fig.#43
图43

12. 如图用手握住固定扣的上端向箭头方向拨动，然后取出固定扣。

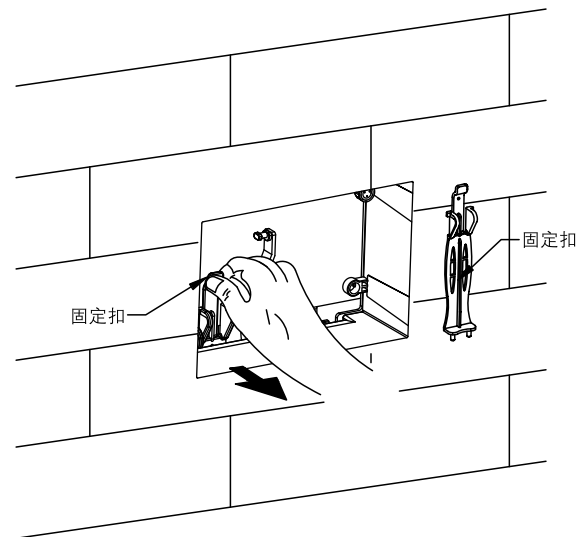


Fig.#44
图44

13. 如图将排水阀向箭头方向， 可使排水阀取出。

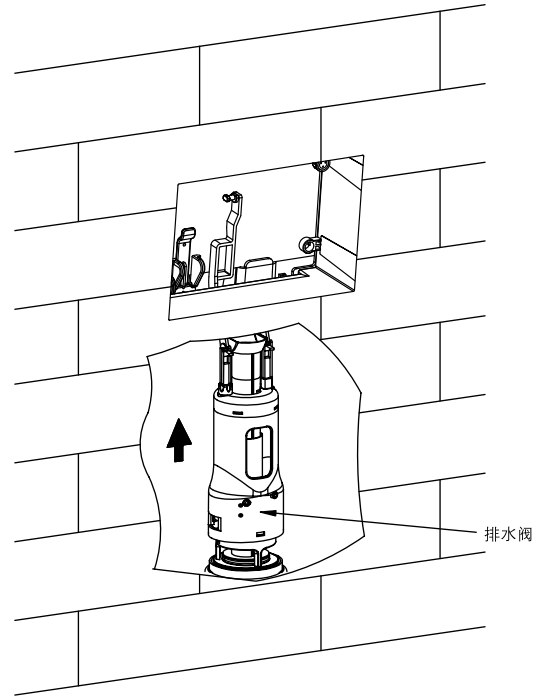


Fig.#45
图45

14. 如图将排水阀旋松后可取出清洁或调节。

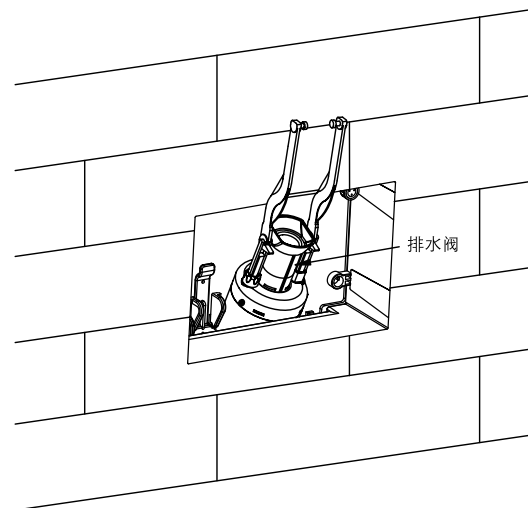


Fig.#46
图46

I. 清洗过滤器

如图将过滤器的锁紧螺母旋松取出用清水清洗滤网泥沙，
然后将锁紧螺母装回原位锁紧即可。

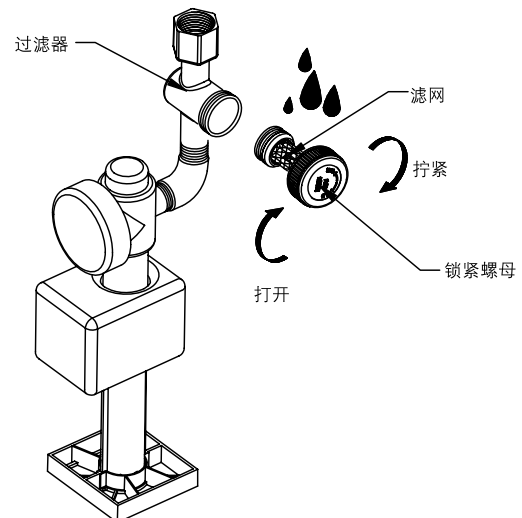


Fig.#47
图47

J. 排水阀的调校

如图排水阀可调节水箱排水量大小：(1) 大排水调节方法：打开调节开关，使小孔打开。(2) 小排水调节方法：调节浮筒高度，小排水水位一般到浮筒底部。

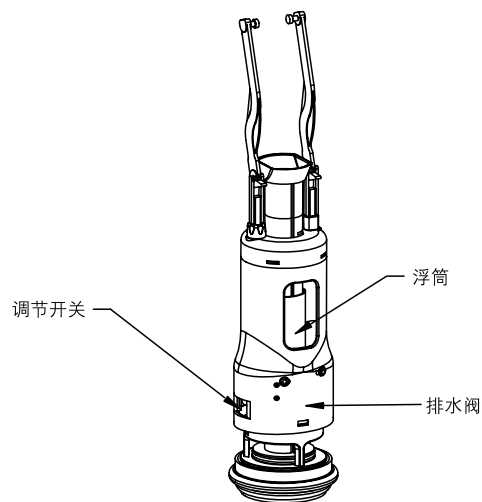


Fig.#48
图48

K. 进水阀的调校

如图调校调节杆可以使水箱水位升高或降低。当逆时针旋转调节杆时，浮筒下降，水箱水位就低。顺时针旋转调节杆使浮筒上升，水箱水位高。

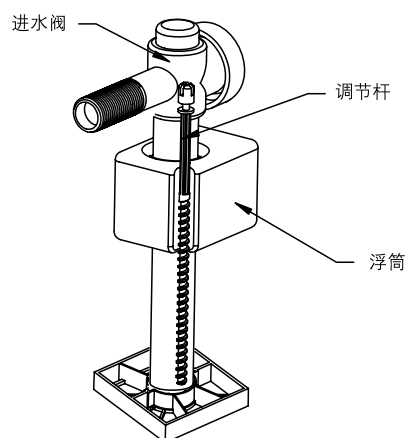


Fig.#49
图49

安装遥控器支架

注意：如果安装墙面是特定材料（比如木板、密制板等）时，使用合适的固定方法。

注意：遥控器的安装位置应该是不易被水淋到的地方。

选择一个合适地方安装遥控器支架，这个地方应该是当你坐在坐便器上时很容易用手接触的地方。

根据遥控器支架螺钉孔的位置，用直径6mm的钻头在墙上钻两个深度大于45mm的孔。在孔中装入膨胀管。

将安装支架在放置固定孔上。

将支架背面双面胶离型纸撕掉。

用螺钉固定安装支架。

把螺钉盖装在螺钉上。

把遥控器放在支架上。



Fig.#50
图50

安装步骤:

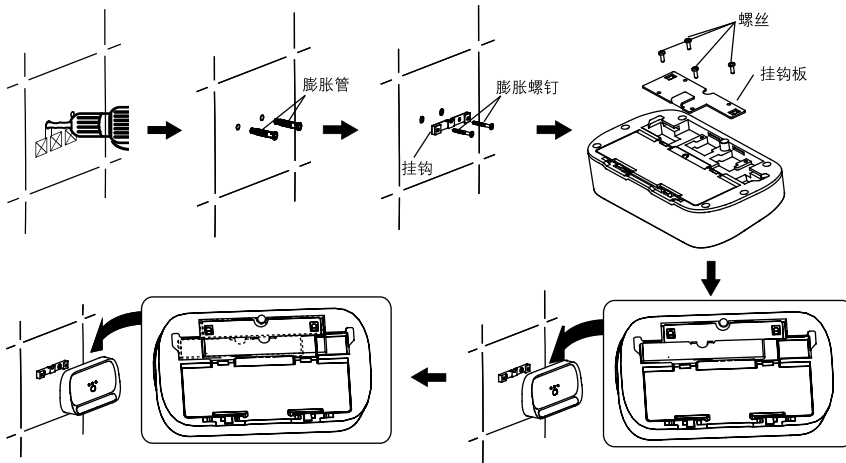
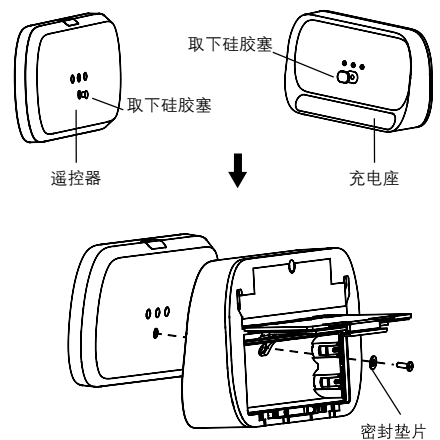


Fig.#51
图51

公共场所防遗失安装方式



常见问题

本指南仅作一般帮助之用。科勒公司授权的服务代表或者合格电工应当能够解决所有的电气问题。如需了解担保服务，请联系您当地的经销商或批发商。

常见问题	可能原因	建议措施
1. 坐便器不工作	A. 停电 B. 产品处于保护状态 C. 产品处于关机状态	A. 等到电力恢复 B. 关闭接线盒上电源，再打开（见用户手册第31页） C. 打开接线盒上的开关（见用户手册第31页）
2. 坐便器不自动冲水	A. 停水 B. 供水角阀关闭 C. 停电 D. 产品处于关机状态 E. 自动冲水功能被禁止	A. 等到恢复供水 B. 打开供水角阀 C. 等待恢复电力或者查看“手动冲洗”部分进行手动冲洗。 D. 打开接线盒上的开关（见用户手册第31页） E. 查看用户手册“遥控器设置指南”部分
3. 坐便器冲不干净	A. 过滤网阻塞 B. 手动按键行程不足	A. 查看用户手册“清洗过滤网”部分 B. 拆下出水控制面板，调节手动冲洗调节螺杆
4. 清洗功能无法正常使用	A. 停水 B. 供水角阀关闭或者未完全打开 C. 产品处于关机状态 D. 没有入座或者当前坐姿无法使座圈感应到 E. 过滤网阻塞 F. 供水水压不足	A. 等到恢复供水 B. 完全打开供水角阀 C. 打开接线盒上的开关（见用户手册第31页） D. 请入座或者调整坐姿 E. 查看用户手册“清洗过滤网”部分 F. 检查进水软管是否折弯过急，如折弯过急，请调整软管
5. 使用过程中冲洗功能停止工作	A. 连续冲洗5分钟后冲洗功能自动停止 B. 座圈未感应到人体	A. 如需要，请再次按下冲洗按键 B. 变换坐姿或者重新入座
6. 人体未入座时也能使用清洗功能	A. 座圈上有异物覆盖或者座圈是湿的	A. 移除异物或者擦干座圈
7. 使用过程中暖风机停止工作	A. 连续使用暖风功能4分钟，风机自动停止 B. 座圈未感应到人体	A. 如需要，请再次按下暖风按键 B. 变换坐姿或者重新入座
8. 除臭风机不工作	A. 座圈未感应到人体 B. 使用过程中误按停止键 C. 自动除臭功能被禁止	A. 变换坐姿或者重新入座 B. 如需要，请离座2S后重新入座 C. 查看用户手册“遥控器设置指南”部分
9. 不能开关盖	A. 座圈上有异物覆盖或者座圈是湿的 B. 便盖在先前开关过程中受到人为干扰	A. 移除异物或者擦干座圈 B. 使用遥控器开关便盖或手动打开便盖直至正常，便盖开关过程中不阻挡其开关
10. 不能自动开关盖	A. 用户没有进入或离开感应区域 B. 遥控器“自动翻盖”功能被关闭 C. 坐便器正在冲水中	A. 请进入或离开感应区域 B. 查看用户手册“遥控器设置指南”部分 C. 等待坐便器冲水结束
11. 夜灯不亮	A. 夜灯功能被关闭 B. 环境光线太亮	A. 查看用户手册“辅助键盘功能”中的夜灯部分来打开夜灯功能。 B. 请关闭室内灯光并拉上窗帘或待光线较暗时确认
12. 紫外线杀菌不工作	A. 有人坐在坐便器上 B. 座圈上有异物覆盖或者座圈是湿的	A. 请离座后关闭盖子再重新开启紫外线杀菌及关闭坐便盖 B. 移除异物或者擦干座圈
13. 遥控器无显示	A. 电池电量耗尽 B. 电池极性装反 C. 遥控器未被唤醒	A. 更换新电池 B. 重新正确安装 C. 触摸遥控器屏幕 靠近坐便器或落座 按遥控器唤醒键

14. 遥控器无法遥控坐便器	A. 电池电量不足 B. 遥控器离座便器太远 C. 坐便器本机没有上电 D. 坐便器本体处于关闭状态 E. 坐便器与遥控器未连接	A. 查看用户手册“遥控器电池的使用及更换”部分来更换电池 B. 查看用户手册“遥控器与本机的通讯”部分并靠近坐便器 C. 请给本体上电 D. 打开接线盒上的电源开关（见用户手册第31页） E. 查看用户手册“遥控器与本机的通讯”部分，连接坐便器与遥控器
15. 落座时感觉座圈偏冷	A. 圈温关闭 B. 设置节能模式	A. 参照用户手册遥控器使用指南设置圈温 B. 参照用户手册遥控器使用指南使用方法退出节能模式
16. 进水阀不进水	A. 进水角阀没有打开 B. 进水阀的浮筒被其它零件挡住 C. 进水阀的浮筒被杂物粘住	A. 把进水角阀打开 B. 调整其它零件切勿与浮筒工作时位置接触 C. 用水清洗干净浮筒
17. 按下大、小排按钮时不排水	A. 调节板与螺丝杆安装错误 B. 排水阀的杠杆扣与倒扣没接上	A. 重新安装螺丝杆 B. 重新安装倒扣在排水阀杠杆扣上
18. 水位太高或太低	A. 进水阀的浮筒没有调整好	A. 重新调整水位
19. 坐便器漏水	A. 水箱进水时进水阀的浮筒有杂物挡住，止不住水从排水阀溢水管漏水 B. 封水片有杂物	A. 调整其它零件切勿与浮筒工作时位置接触 B. 取出排水阀清洗封水片的杂物

如要检修此坐便器，您必须首先：

关闭接线盒上的开关（见用户手册第31页）

如有需要，打开供水阀。

如需检修接线盒部分，请切断接线盒前端输入电源。

用户责任

如果你居住地方的水质是硬性，你必须保持冲水孔清洁，令坐便器冲水正常。每星期应最少使用坐便器清洁剂清洁一次，用长把手的刷子清洁冲水孔，并尽量伸入排污管洗刷，防止矿物质积聚。

大部分厕所清洁剂都不会损坏坐便器表面的釉面陶瓷，但烦请遵照坐便器清洁剂生产商指引小心进行。

请勿使用腐蚀性清洁剂或溶剂。



警告：提防楼宇受损或损坏产品。

科勒公司对此类因使用氯(次氯酸钙)而引致的冲水装置损毁，概不负责。

注意：智能盖板的清洗和维护详见用户手册。

注意：一定要先彻底冲洗供水管以清除管道中的杂质，使用水源为自来水或可供饮用水。