

Features

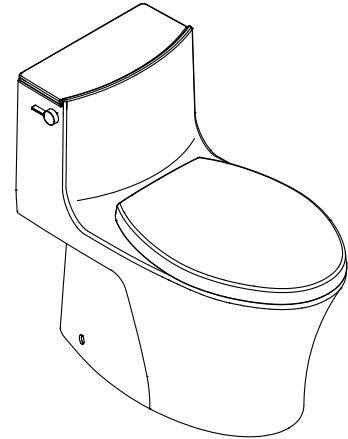
- Vitreous china
- Elongated bowl
- Includes seat
- Includes polished chrome trip lever
- Class Five+ dual flush system
- 3/4.5 liter per flush
- 305 mm rough-in for S-trap
- 725 x 387 x 692 mm

Codes/Standards Applicable

Specified model meets or exceeds the following:

- ASME A112.19.2/CSA B45.1
- TIS 792-2554

ONE-PIECE TOILET WITH SEAT K-1381K



Technical Information

Fixture:	
Configuration	one-piece, elongated
Water per flush	3/4.5 liter
Passageway	49 mm
Water area	235 x 193 mm
Water depth from rim	143 mm
Seat post hole centers	140 mm

Included Components:	
Tank cover	1250104X-SP-**
Quiet close seat or double injection slim seat or slim seat	K-4141X-2P-** or K-77070K-** or K-77471K-**

Installation Notes

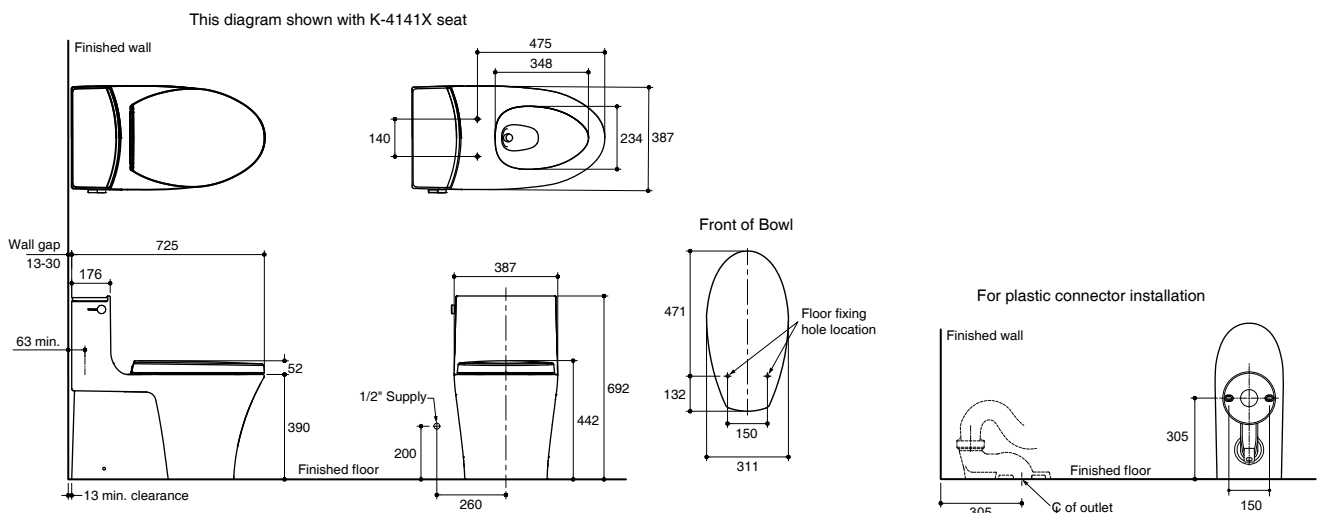
Install this product according to the installation guide.

Specified Model

Model	Description	Color/Finishes
K-1381K-S	Veil one-piece toilet, S-trap with quiet close seat	0: White
K-1381K-SL	Veil one-piece toilet, S-trap with double injection slim seat	0: White
K-1381K-SLM	Veil one-piece toilet, S-trap with slim seat	0: White

Dimensions are approximate. (Do not direct measure a dimensional from picture below.)

Unit: mm



Note: The recommended dimension for installation can be adjusted according to user preferences and layout.

Product Diagram