

# KALLISTA® Pinna Paletta™ 3-Way Transfer Valve Trim

## FEATURES

- Solid brass construction for durability and reliability
- Allows bather to direct water flow
- Pairs with a 2- or 3-way transfer valve configuration
- Complements the Pinna Paletta collection

## CODES/STANDARDS APPLICABLE

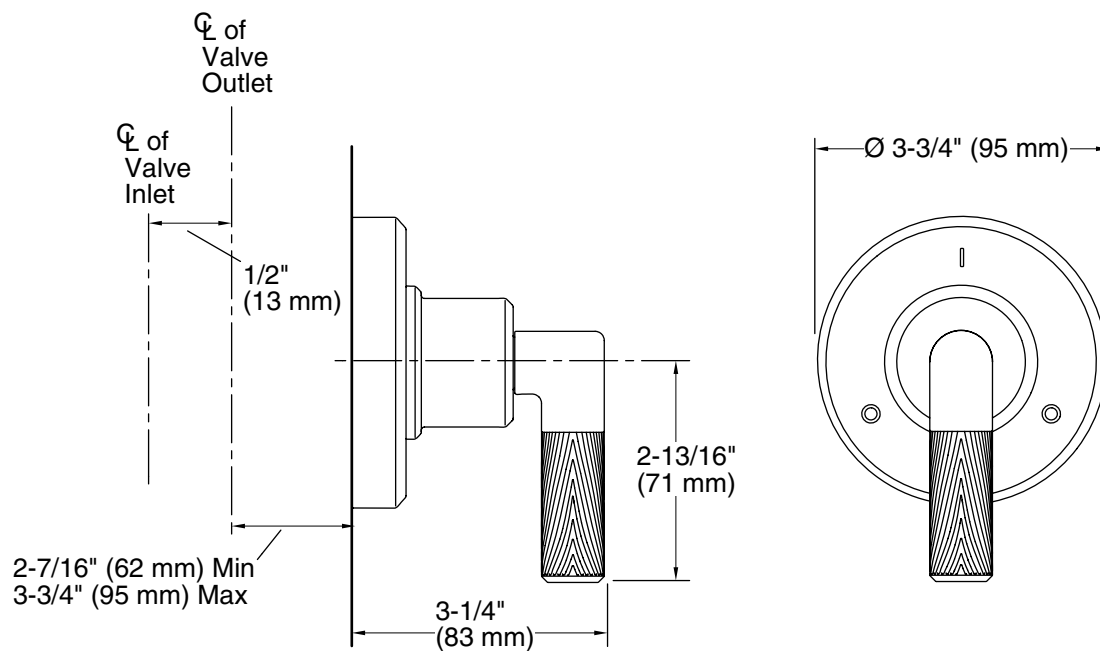
Specified model meets or exceeds the following:

- ASME A112.18.1/CSA B125.1
- ICC/ANSI A117.1
- ADA\*
- OBC\*
- CSA B651\*

**ADA** **CSA B651** **OBC**

\* Compliant when installed to the specific requirement of this regulation

## P24924



## SPECIFIED MODEL

Model	Description	Finishes
P24924-CPH	Pinna Paletta 3-Way Transfer Valve Trim, w/Polished Chrome Accented Lever Handle	<input type="checkbox"/> CP Polished Chrome
P24924-SNW	Pinna Paletta 3-Way Transfer Valve Trim, w/Polished Nickel Accented Lever Handle	<input type="checkbox"/> SN Polished Nickel
P24924-ULB	Pinna Paletta 3-Way Transfer Valve Trim, w/Unlacquered Brass Accented Lever Handle	<input type="checkbox"/> ULB Unlacquered Brass
Required Rough-in		
P29513-00	3-Way Transfer Valve	<input type="checkbox"/> NA
P29514-00	3-Way Transfer Valve, Eco	<input type="checkbox"/> NA

We reserve the right to make revisions without notice in the design of products or in packaging unless this right has specifically been waived at the time the order is accepted.