

### FEATURES

- Cast iron construction

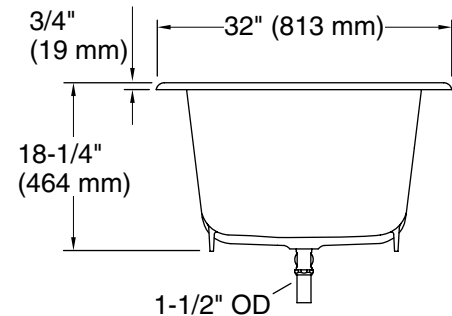
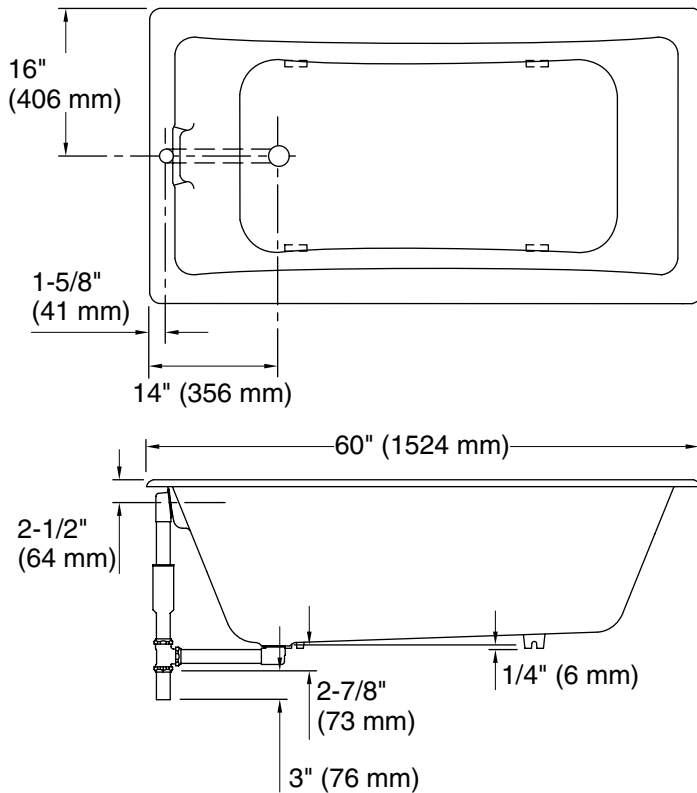
### CODES/STANDARDS APPLICABLE

Specified model meets or exceeds the following:

- ASME A112.19.7/CSA B45.10
- ASME A112.19.1/CSA B45.2
- CSA C22.2 No 218.2
- ADA
- ICC/ANSI A117.1

## P50014

### ADA



ROUGHING-IN NOTES		PRODUCT INFORMATION			
No change in measurements if connected with drain illustrated (P21575).		Fixture*:	Top Area	Inside Area	Weight
Drop-in Cutout	58-1/2" (1486 mm) x 30-1/2" (775 mm)	Bathing Well	54" (1372 mm) x 24" (610 mm)	40-1/2" (1029 mm) x 20" (508 mm)	290 lbs (131.5 kg)
Floor support under bath must provide for a minimum of 60 lbs/square foot (290 kg/square meter) loading.			Water Depth	Capacity	
Hot water supply must be 70% of capacity or greater.		To Overflow	13-5/8" (346 mm)	60 gal (227.1 L)	
		*Approximate measurements for comparison only.			

SPECIFIED MODEL				
Model	Description	Finishes		
P50014-BA	Barbara Barry Bath	<input type="checkbox"/> 0 Stucco White		
Required Accessories (Pick One)				
P21573-00	Barbara Barry Waste & Overflow Drain	<input type="checkbox"/> CP Polished Chrome	<input type="checkbox"/> AD Nickel Silver	<input type="checkbox"/> AG Brushed Nickel
P21575-00	Standard Waste & Overflow Drain	<input type="checkbox"/> CP Polished Chrome	<input type="checkbox"/> AD Nickel Silver	<input type="checkbox"/> AG Brushed Nickel

We reserve the right to make revisions without notice in the design of products or in packaging unless this right has specifically been waived at the time the order is accepted.