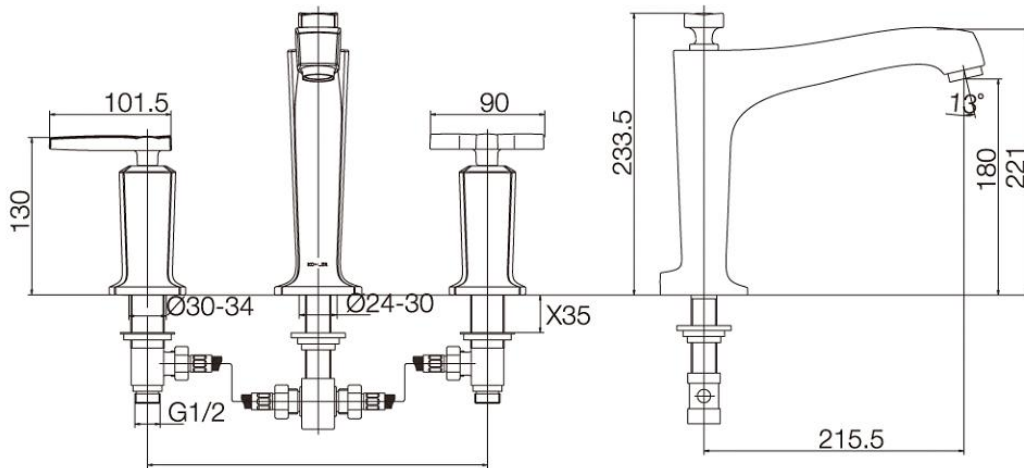


Product Specification:

Model	Spout		Handle	Includes	Finish	Notes
	Reach	Height				
K-16228T-3	215.5mm	180mm	Cross	Spout, valve, aerator, handle	CP	8667T or 219T deck-mount diverter and handspray are optional.
K-16228T-4			Lever			

Product Dimension:



K-16228T

*The above information are subject to change without notice.